



US00D884692S

(12) **United States Design Patent**
Berini

(10) **Patent No.:** **US D884,692 S**
(45) **Date of Patent:** **** May 19, 2020**

(54) **KIOSK**

(71) Applicant: **NextgenID, Inc.**, San Antonio, TX (US)

(72) Inventor: **Dario John Berini**, Ashburn, VA (US)

(73) Assignee: **NextgenID, Inc.**, San Antonio, TX (US)

(**) Term: **15 Years**

(21) Appl. No.: **29/644,538**

(22) Filed: **Apr. 18, 2018**

Related U.S. Application Data

(60) Continuation of application No. 29/588,562, filed on Dec. 21, 2016, now Pat. No. Des. 818,464, which is
(Continued)

(51) **LOC (12) Cl.** **14-02**

(52) **U.S. Cl.**
USPC **D14/307**

(58) **Field of Classification Search**
USPC D14/302-307, 900-902; D13/163;
D20/10; D21/332, 325, 369, 370;
(Continued)

(56) **References Cited**

U.S. PATENT DOCUMENTS

4,614,378 A 9/1986 Picou
5,375,168 A 12/1994 Kudelski
(Continued)

FOREIGN PATENT DOCUMENTS

EP 1744264 1/2007
JP 2007/132678 5/2007
(Continued)

OTHER PUBLICATIONS

“CBES Multimodal Biometric Enrollment Station.” 3M Cogent, Inc. [online], [retrieved on Dec. 11, 2012]. Retrieved from the Internet: <URL: http://www.cogentsystems.com/downloads/CBES_sm.pdf>.

(Continued)

Primary Examiner — Austin Murphy

(74) *Attorney, Agent, or Firm* — Shami Messinger PLLC

(57) **CLAIM**

The ornamental design for kiosk, as shown and described.

DESCRIPTION

FIG. 1 is a perspective view of a third embodiment of a kiosk showing our new design.

FIG. 2 is a front elevation view of the kiosk of FIG. 1.

FIG. 3 is a back elevation view of the kiosk of FIG. 1.

FIG. 4 is a first side elevation view of the kiosk of FIG. 1.

FIG. 5 is a second side elevation view of the kiosk of FIG. 1.

FIG. 6 is a top plan view of the kiosk of FIG. 1.

FIG. 7 is a bottom plan view of the kiosk of FIG. 1.

FIG. 8 is a perspective view of a fourth embodiment of a kiosk showing our new design.

FIG. 9 is a front elevation view of the kiosk of FIG. 8.

FIG. 10 is a back elevation view of the kiosk of FIG. 8.

FIG. 11 is a first side elevation view of the kiosk of FIG. 8.

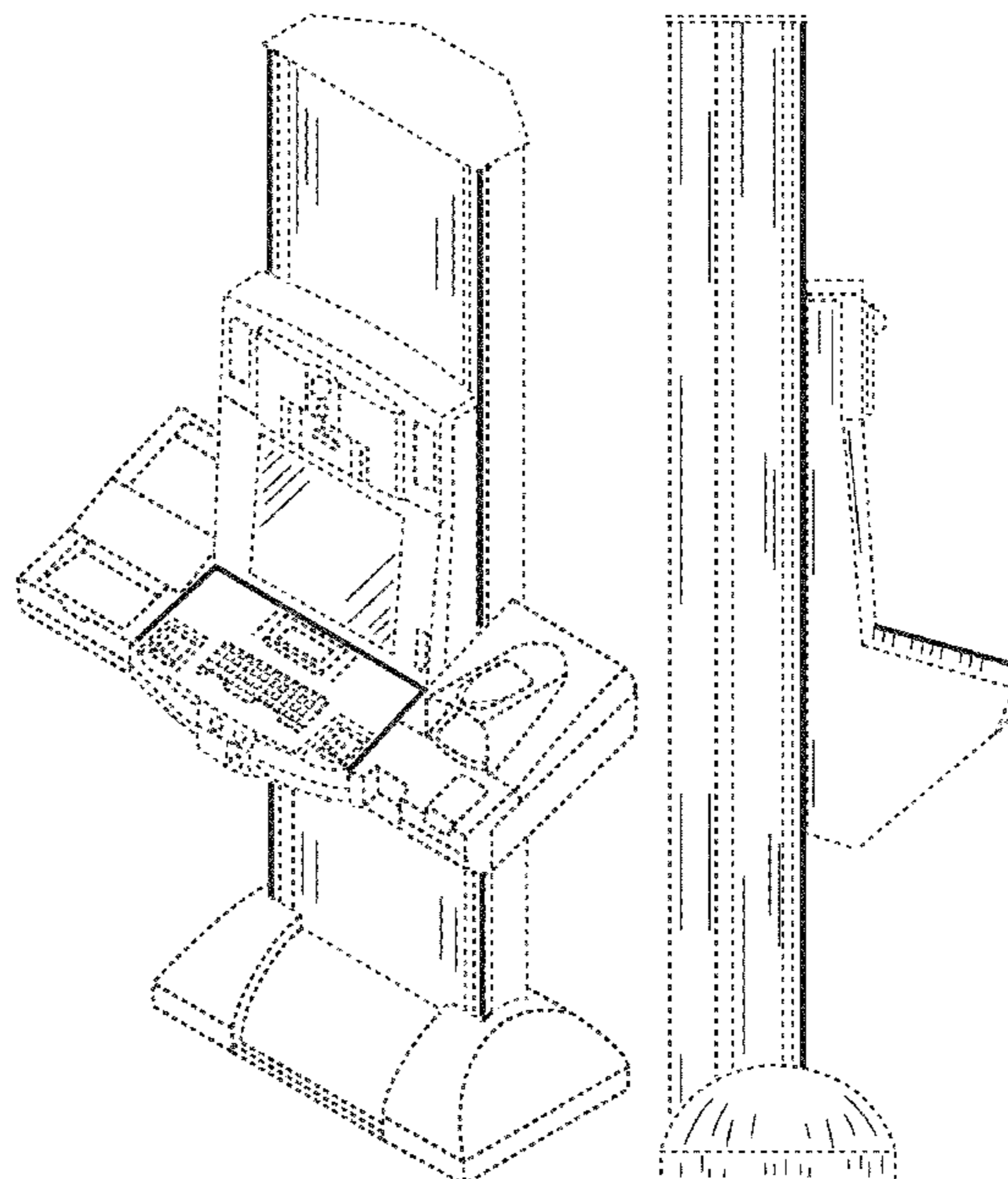
FIG. 12 is a second side elevation view of the kiosk of FIG. 8.

FIG. 13 is a top plan view of the kiosk of FIG. 8; and,

FIG. 14 is a bottom plan view of the kiosk of FIG. 8.

The portions of the drawings shown in broken lines represent environmental structure and form no part of the claimed design.

1 Claim, 8 Drawing Sheets



Related U.S. Application Data

a continuation of application No. 29/566,270, filed on May 27, 2016, now Pat. No. Des. 778,276, which is a division of application No. 29/541,378, filed on Oct. 2, 2015, now Pat. No. Des. 760,711, which is a division of application No. 29/487,791, filed on Apr. 11, 2014, now Pat. No. Des. 742,870, which is a continuation of application No. 13/475,625, filed on May 18, 2012, now Pat. No. 9,256,719.

(58) **Field of Classification Search**

USPC D99/28; D6/397, 466; 194/206; 361/679.01, 679.02, 679.04, 679.21, 361/679.57, 725
CPC G06Q 20/18; G06Q 20/10; G06Q 20/123; G06Q 20/20; G06Q 30/02; G06Q 30/06; A47F 9/047
See application file for complete search history.

(56) **References Cited**

U.S. PATENT DOCUMENTS

6,012,049 A 1/2000 Kawan
6,694,433 B1 2/2004 Kolouch
7,079,653 B2 7/2006 Scheidt
7,095,852 B2 8/2006 Wack
7,212,632 B2 5/2007 Scheidt
7,278,026 B2 10/2007 McGowan
D573,986 S 7/2008 Sasaki
D590,387 S 4/2009 Chen
D591,078 S 4/2009 Singler
D605,189 S 12/2009 Kuroda
D605,191 S 12/2009 Kuroda
D617,575 S 6/2010 Dreyer
7,738,660 B2 6/2010 Scheidt
7,817,800 B2 10/2010 Wack
D628,742 S 12/2010 Hsu
7,974,410 B2 7/2011 Scheidt
8,077,870 B2 12/2011 Wack
8,233,785 B1 7/2012 Surma
D671,595 S 11/2012 O'Hara
D695,285 S 12/2013 Smith
D695,733 S 12/2013 Damhuis
D702,675 S 4/2014 Jones
D707,012 S 6/2014 Swaine
D707,674 S 6/2014 Daniel
D708,676 S 7/2014 Ballman
D717,784 S 11/2014 Collins
D721,695 S 1/2015 Birgeoglu
D721,696 S 1/2015 Birgeoglu
D723,025 S 2/2015 Birgeoglu
D723,538 S 3/2015 Catoe
D726,706 S 4/2015 Kraft
D727,307 S 4/2015 Kraft
D732,520 S 6/2015 Themann
D732,522 S 6/2015 Chadbourne
D742,870 S 11/2015 Berini
D743,956 S 11/2015 Kraft
D751,061 S 3/2016 Berini
D752,032 S 3/2016 Taylor
D760,711 S 7/2016 Berini
D762,635 S 8/2016 Szeredi
D769,864 S 10/2016 Hoffmann
D778,276 S 2/2017 Berini
D788,098 S 5/2017 Thornton
D795,242 S 8/2017 Birgeoglu
D799,470 S 10/2017 Brown
D799,471 S 10/2017 Brown
D800,715 S 10/2017 Kane
D805,065 S 12/2017 Taylor
D815,628 S * 4/2018 Berini D14/307
D818,464 S * 5/2018 Berini D14/307
D829,706 S * 10/2018 Berini D14/307
D836,625 S * 12/2018 Szeredi D14/307

D854,538 S * 7/2019 Szeredi D14/307
D870,721 S * 12/2019 Vasi D14/307
2001/0037301 A1 11/2001 Shepley
2001/0054148 A1 12/2001 Hoornaert
2002/0019941 A1 2/2002 Chan
2002/0026413 A1 2/2002 Wu
2002/0046086 A1 4/2002 Pletz
2002/0105665 A1 8/2002 Wasilewski
2002/0124271 A1* 9/2002 Herrmann G06Q 30/02
725/151
2002/0154344 A1 10/2002 Beeman
2003/0001010 A1 1/2003 Schmidt
2004/0182921 A1 9/2004 Dickson
2005/0174613 A1 8/2005 Tan
2005/0229007 A1 10/2005 Bolle
2006/0073883 A1 4/2006 Franks
2006/0213970 A1 9/2006 Trajkovic
2007/0143341 A1 6/2007 Brownell
2008/0296374 A1 12/2008 Gonen
2009/0034803 A1 2/2009 Matos
2009/0130905 A1 5/2009 Wang
2009/0192938 A1 7/2009 Amos
2009/0235086 A1 9/2009 Lai
2009/0289104 A1* 11/2009 Yoneda G06F 1/16
235/375
2010/0290668 A1 11/2010 Friedman
2010/0329301 A1 12/2010 Pang
2011/0025074 A1 2/2011 Reznar
2011/0178930 A1 7/2011 Scheidt
2011/0192681 A1* 8/2011 Johnson A47F 10/02
186/52
2012/0087643 A1 4/2012 Paramadilok
2012/0293642 A1* 11/2012 Berini G06F 21/32
348/77
2013/0215275 A1* 8/2013 Berini G06F 21/32
348/150
2013/0226632 A1 8/2013 Gilbert

FOREIGN PATENT DOCUMENTS

JP 2009/175745 8/2009
WO WO 99/30267 6/1999

OTHER PUBLICATIONS

“Law Enforcement Product Overview.” 3M Cogent, Inc. [online], [retrieved on Dec. 11, 2012]. Retrieved from the Internet: <URL: http://www.cogentsystems.com/downloads/LE_Overview.pdf>.
“VB E-Pass® Kiosk” Vision-Box [online], [retrieved on Dec. 11, 2012]. Retrieved from the Internet: <URL: <http://www.vision-box.com/solutions/vbepass/>>.
“VB E-Pass® Desktop” Vision-Box [online], [retrieved on Dec. 11, 2012]. Retrieved from the Internet: <URL: <http://www.vision-box.com/solutions/vbepassdesktop/>>.
“VB E-Pass® Portable” Vision-Box [online], [retrieved on Dec. 11, 2012]. Retrieved from the Internet: <URL: <http://www.vision-box.com/solutions/mobile-vbepass/>>.
“VB E-Pass® Dispenser” Vision-Box [online], [retrieved on Dec. 11, 2012]. Retrieved from the Internet: <URL: <http://www.vision-box.com/solutions/vb-i-dispenser/>>.
“VB I-Match” Vision-Box [online], [retrieved on Dec. 11, 2012]. Retrieved from the Internet: <URL: <http://www.vision-box.com/solutions/vb-i-match/>>.
“VB Sentryspider” Vision-Box [online], [retrieved on Dec. 11, 2012]. Retrieved from the Internet: <URL: <http://www.vision-box.com/solutions/vb-sentryspider/>>.
International Search Report dated Nov. 23, 2012 which issued in International Patent Application No. PCT/US2012/038675 (5 pages).
Written Opinion dated Nov. 23, 2012 which issued in International Patent Application No. PCT/US2012/038675 (5 pages).
Michaels, Ross J., Kevin C. Mangold, Matthew L. Aronoff, Kayee Kwong, and Karen Marshall, Specification for WS-Biometric Devices (WS-BD). Mar. 14, 2012. 1-123.

* cited by examiner

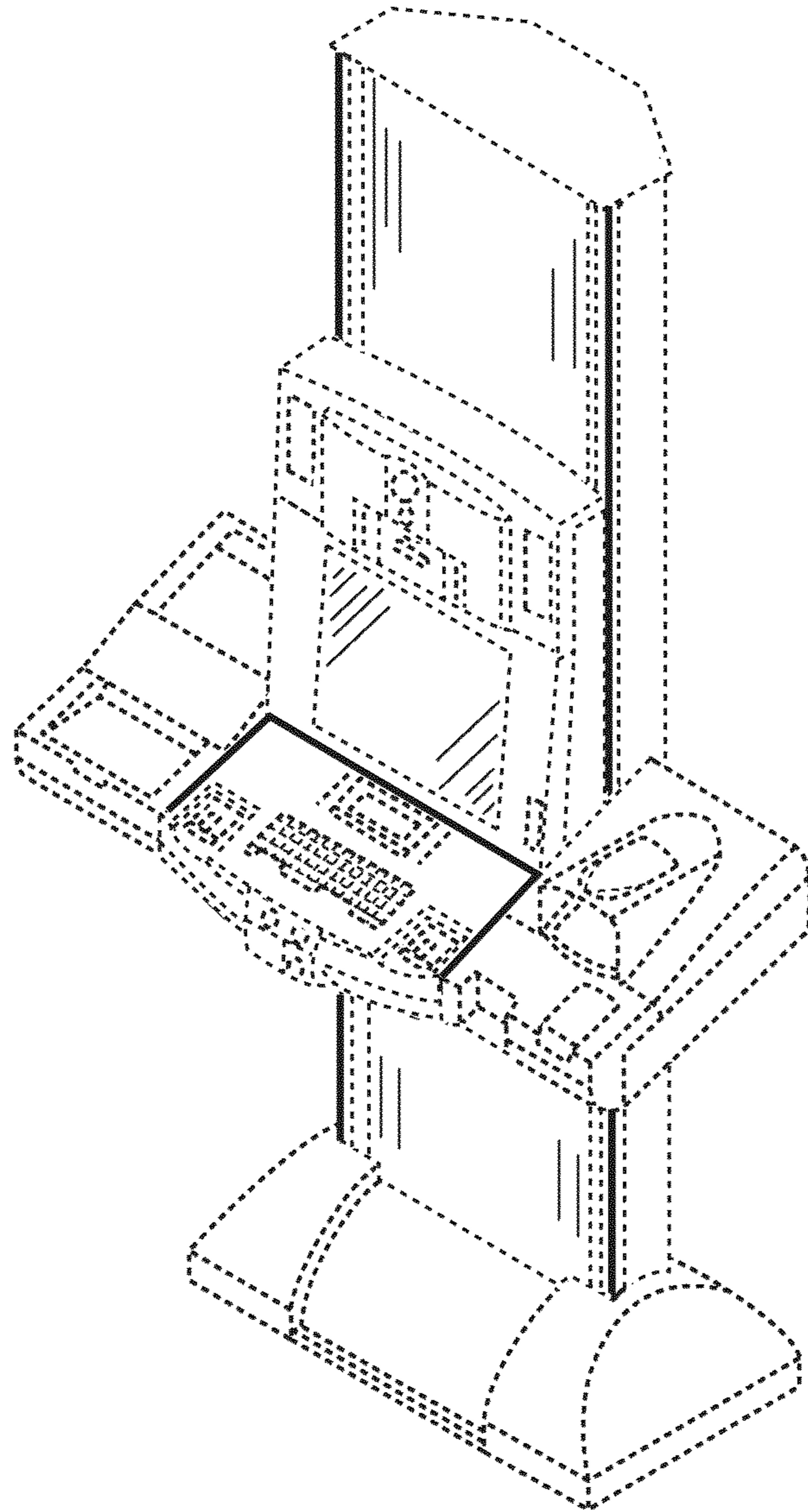


FIG. 1

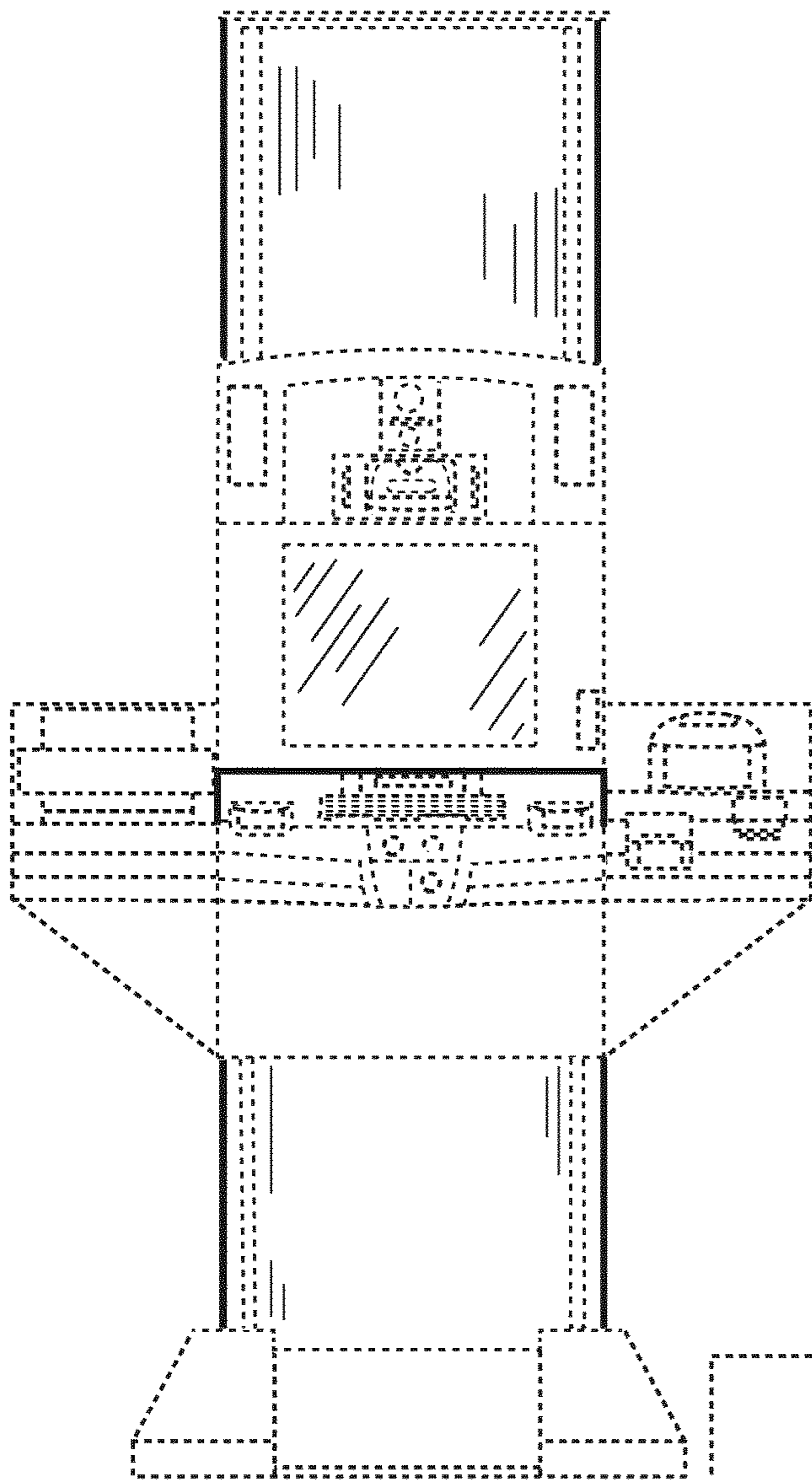


FIG. 2

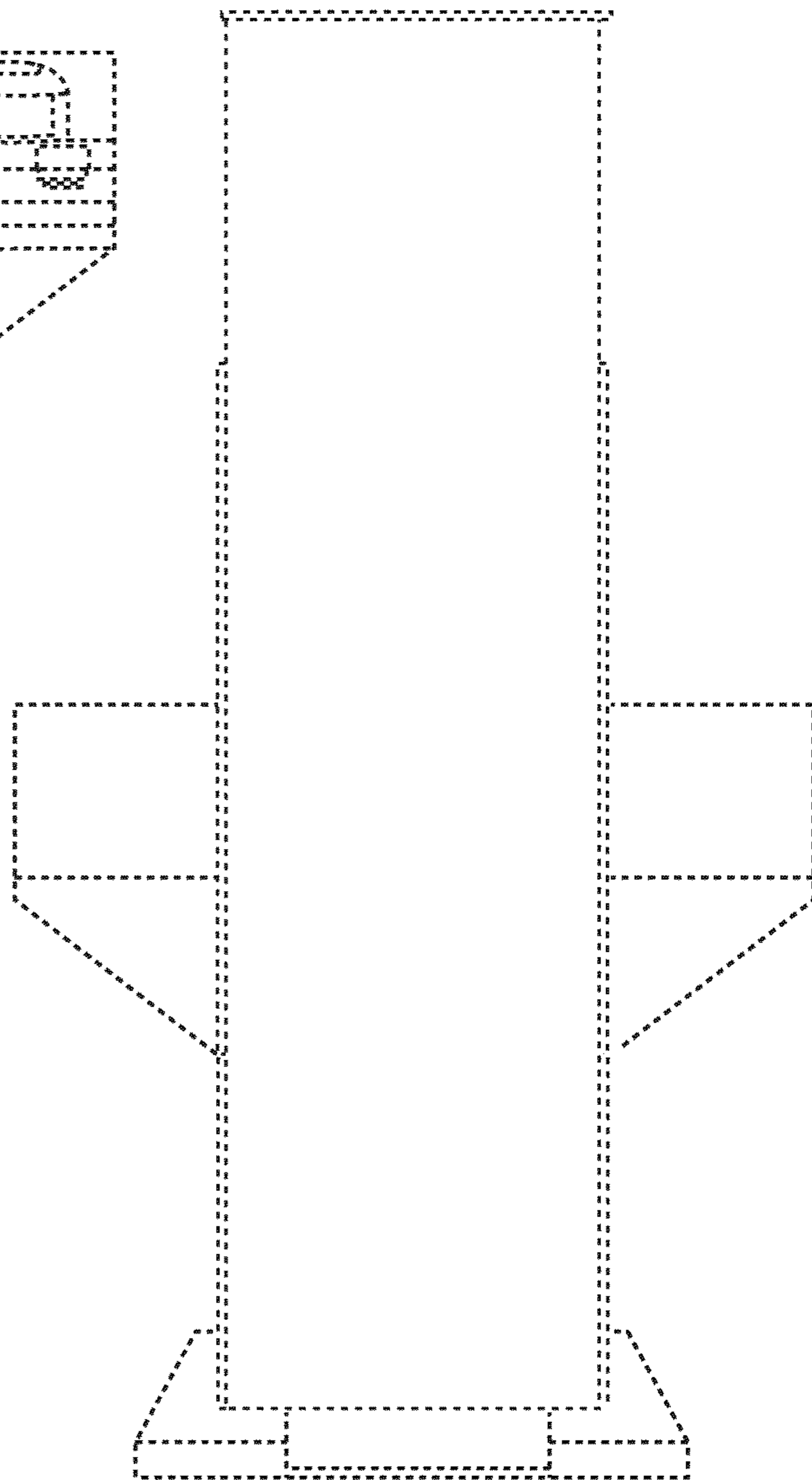


FIG. 3

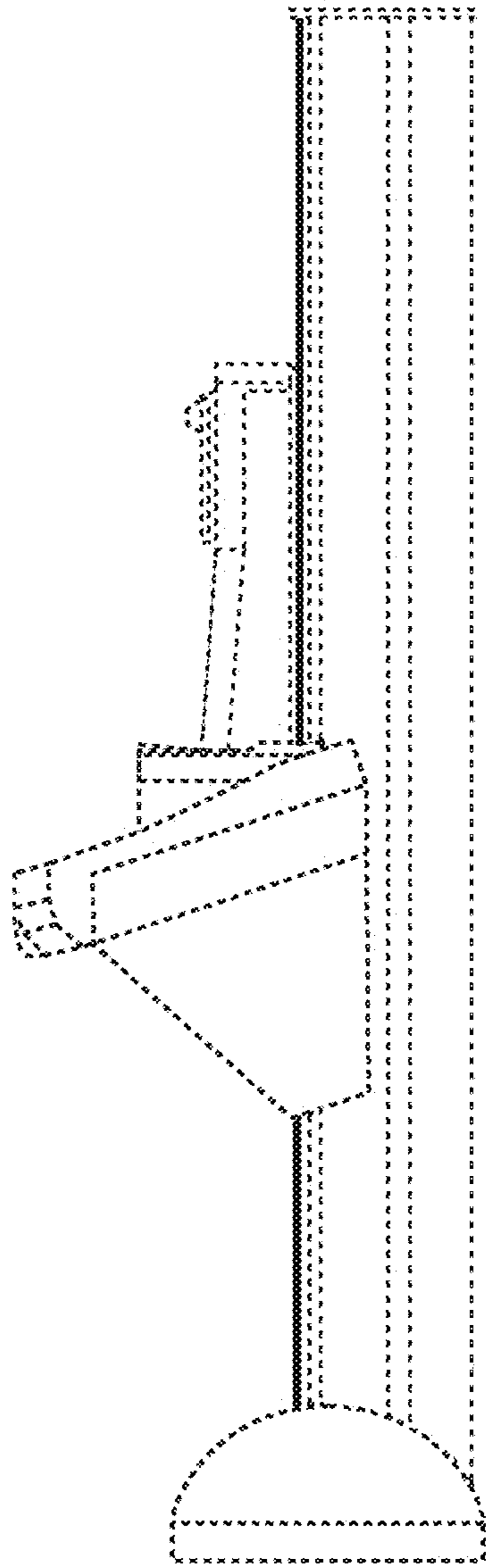


FIG. 4

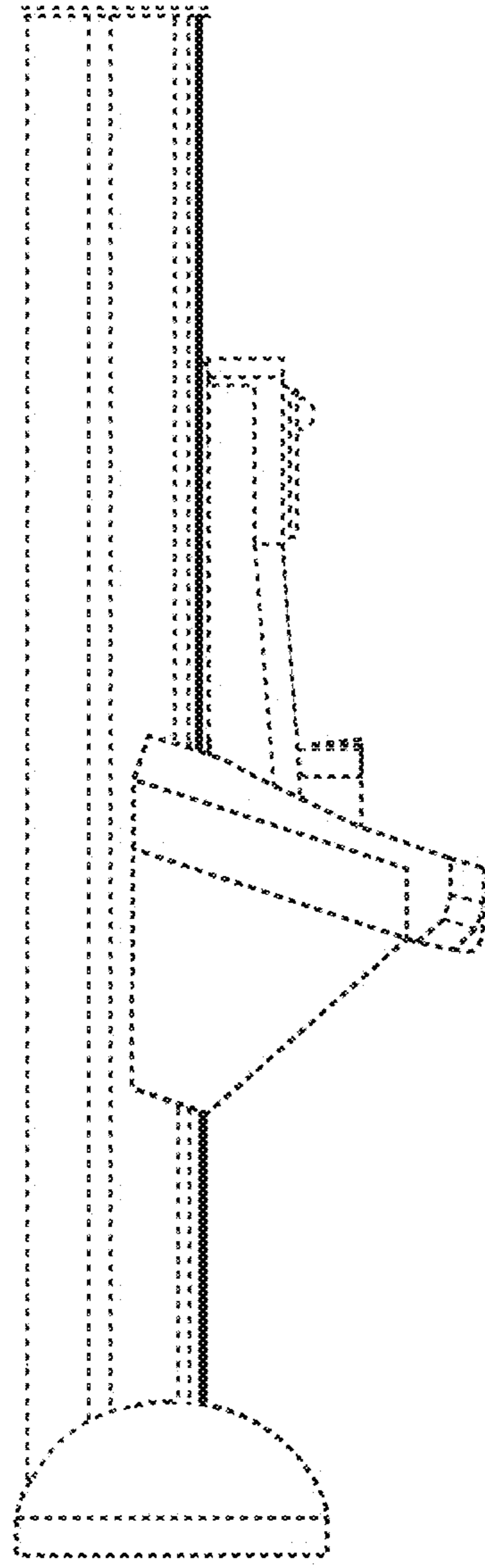


FIG. 5

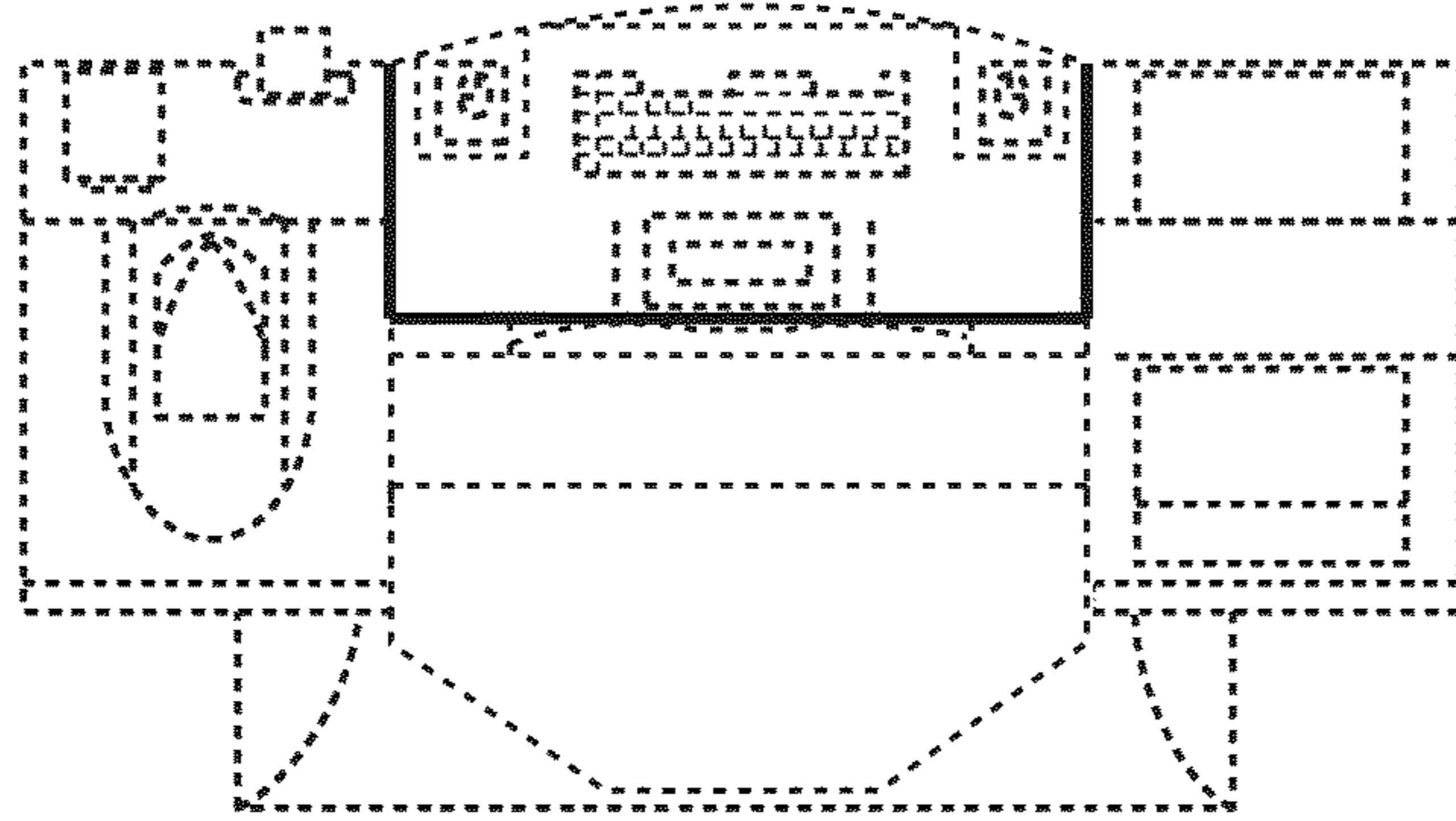


FIG. 6

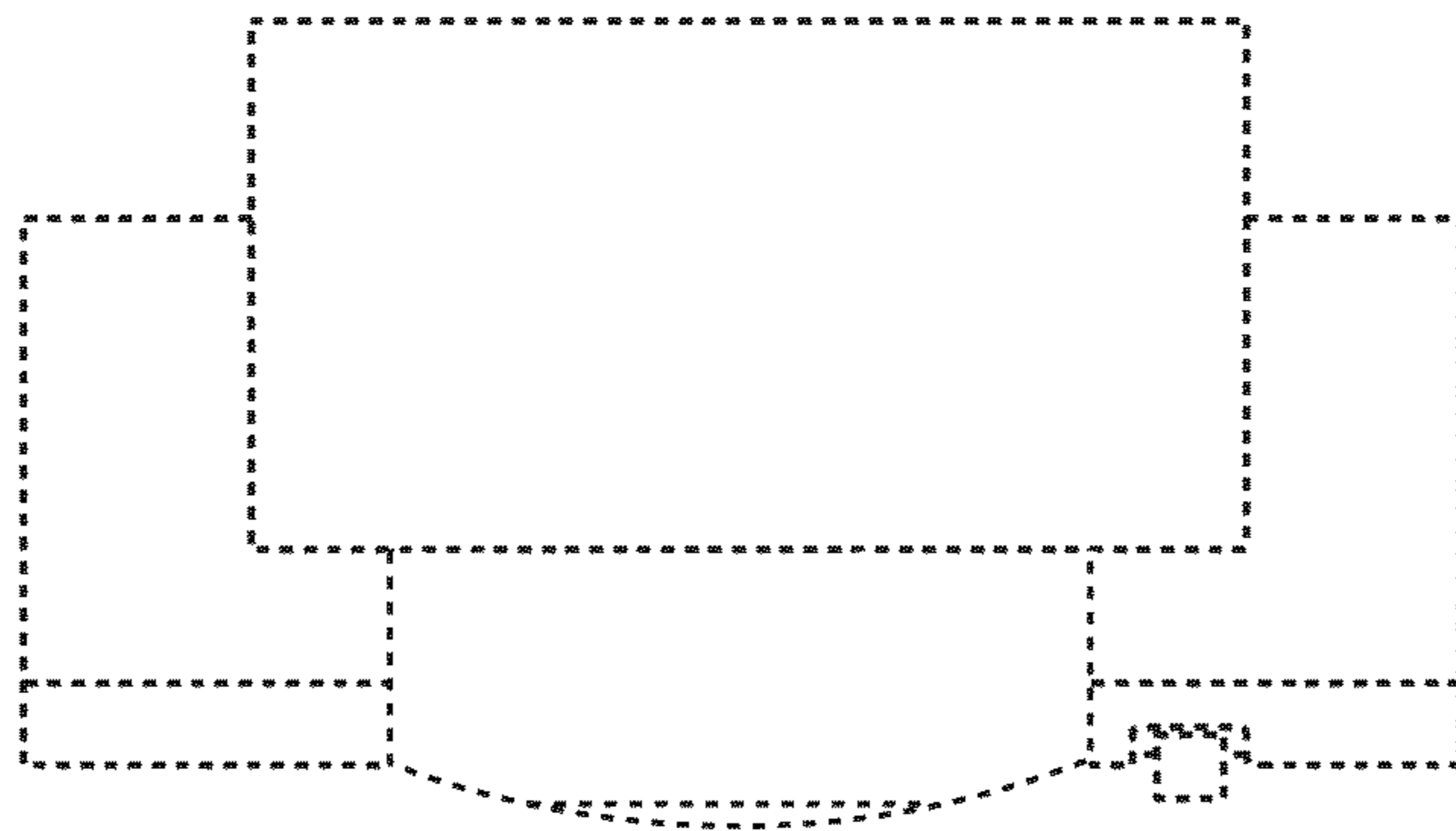


FIG. 7

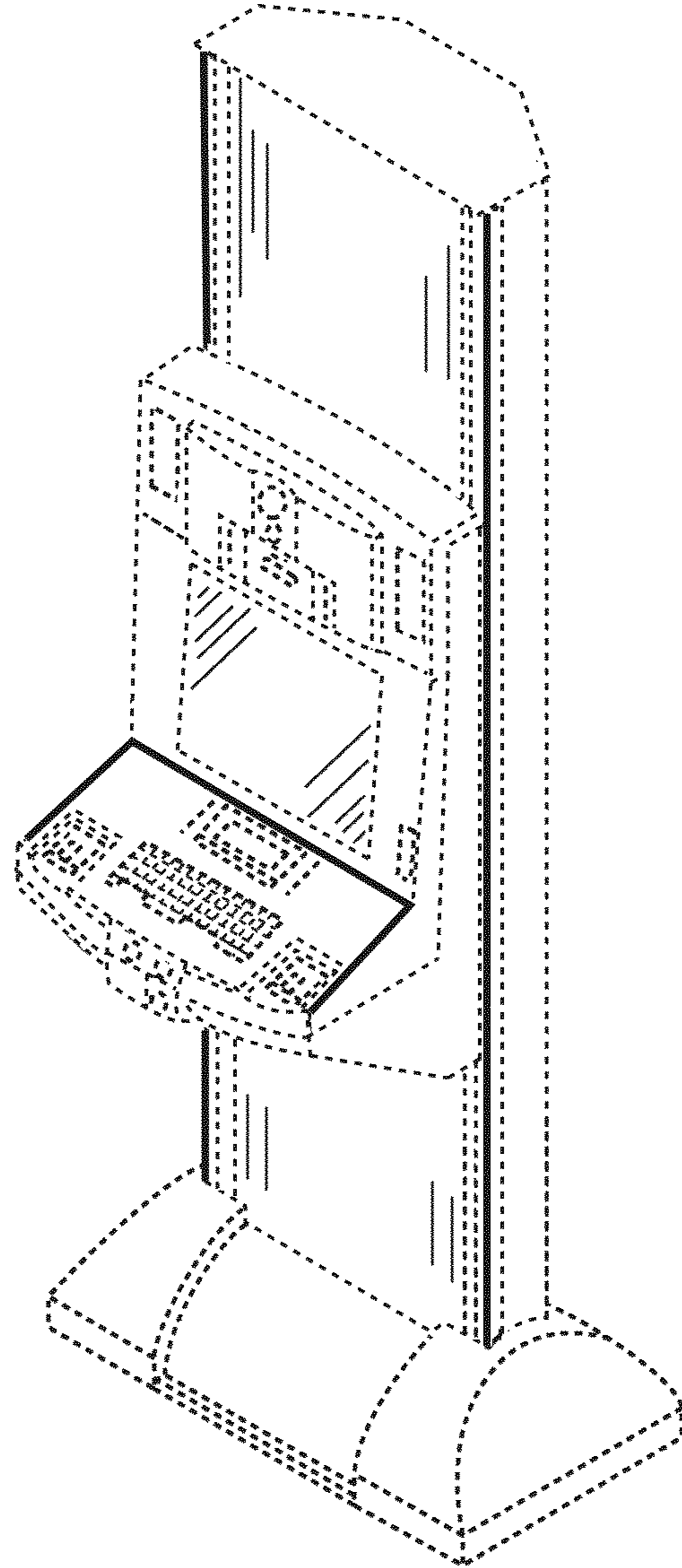


FIG. 8

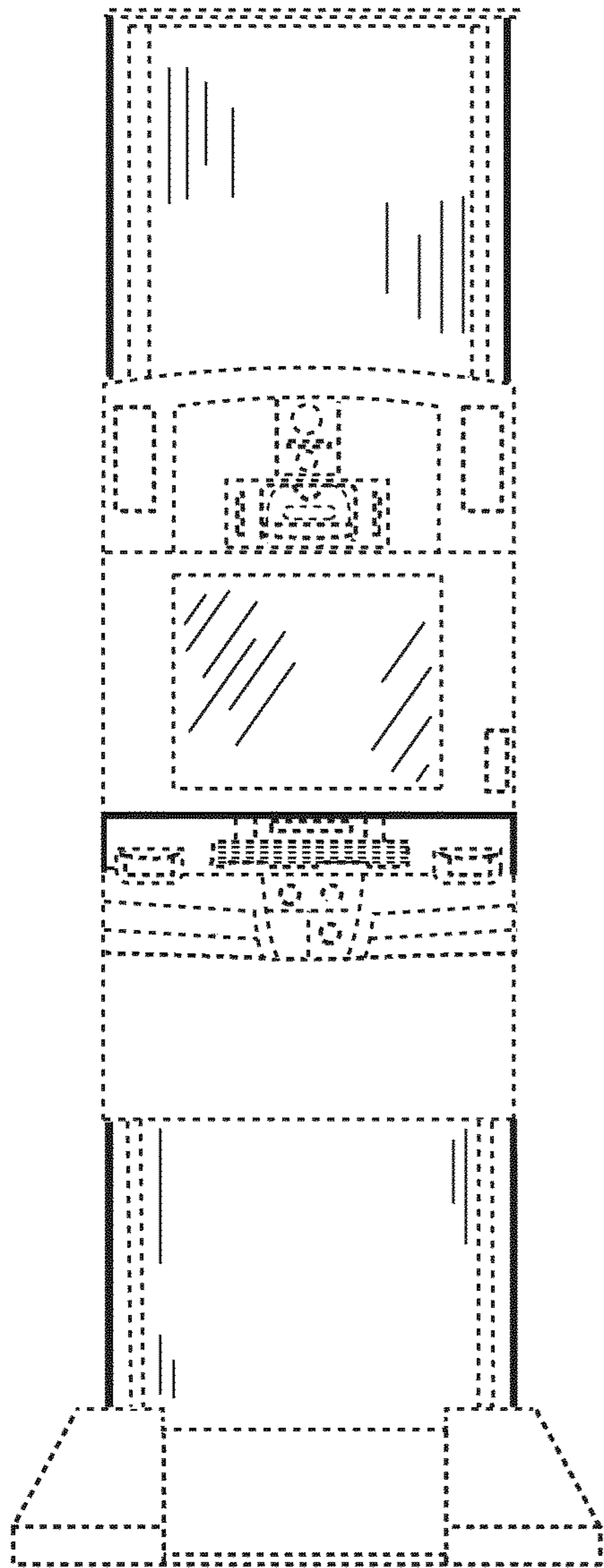


FIG. 9

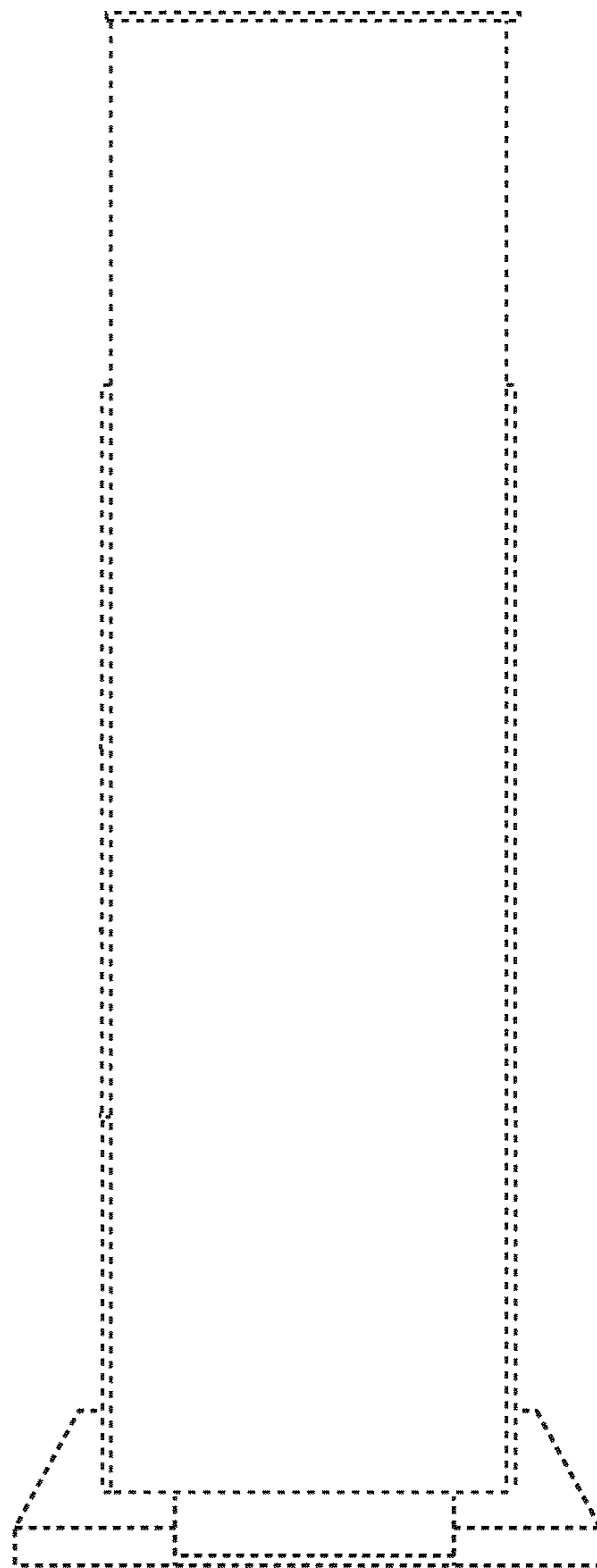


FIG. 10

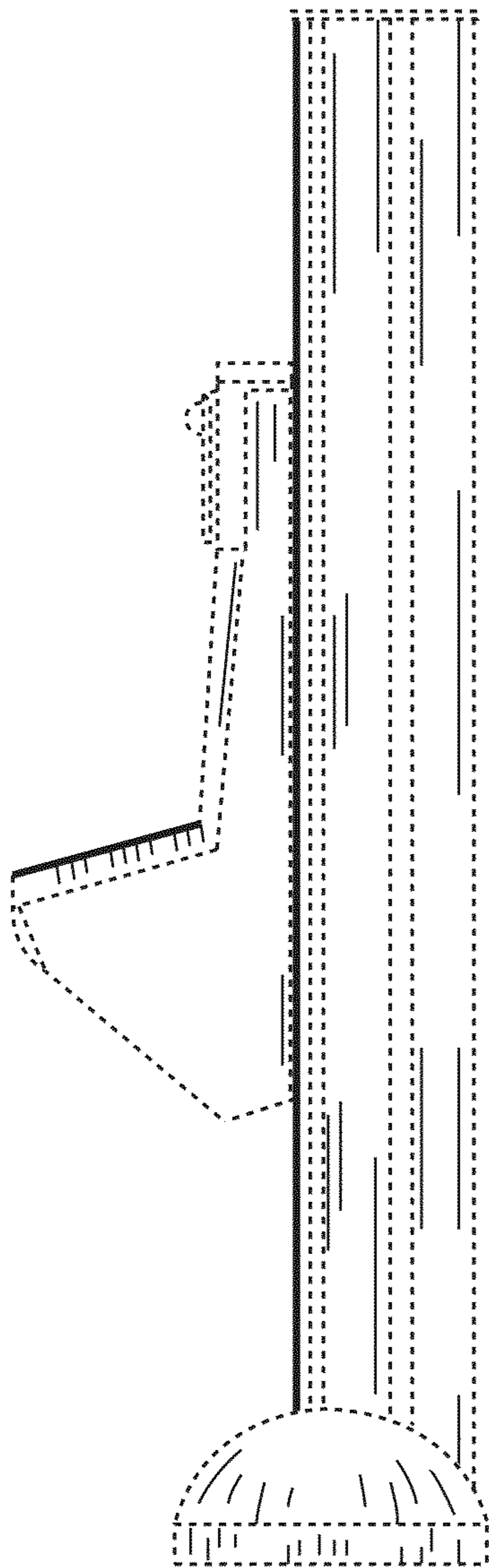


FIG. 11

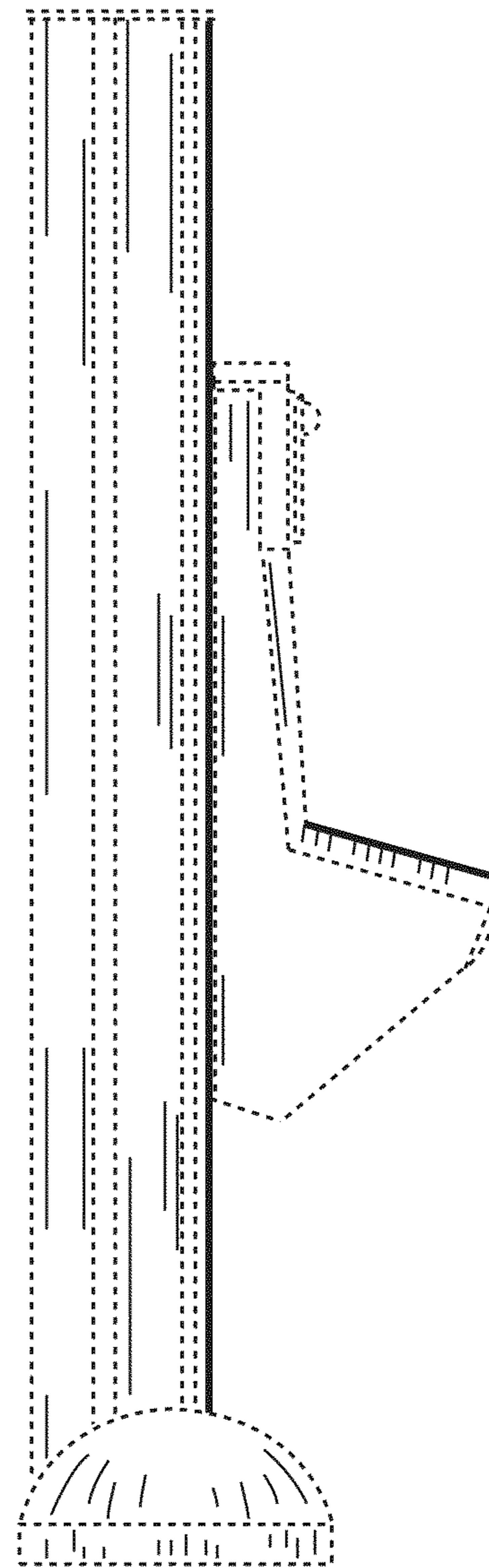


FIG. 12

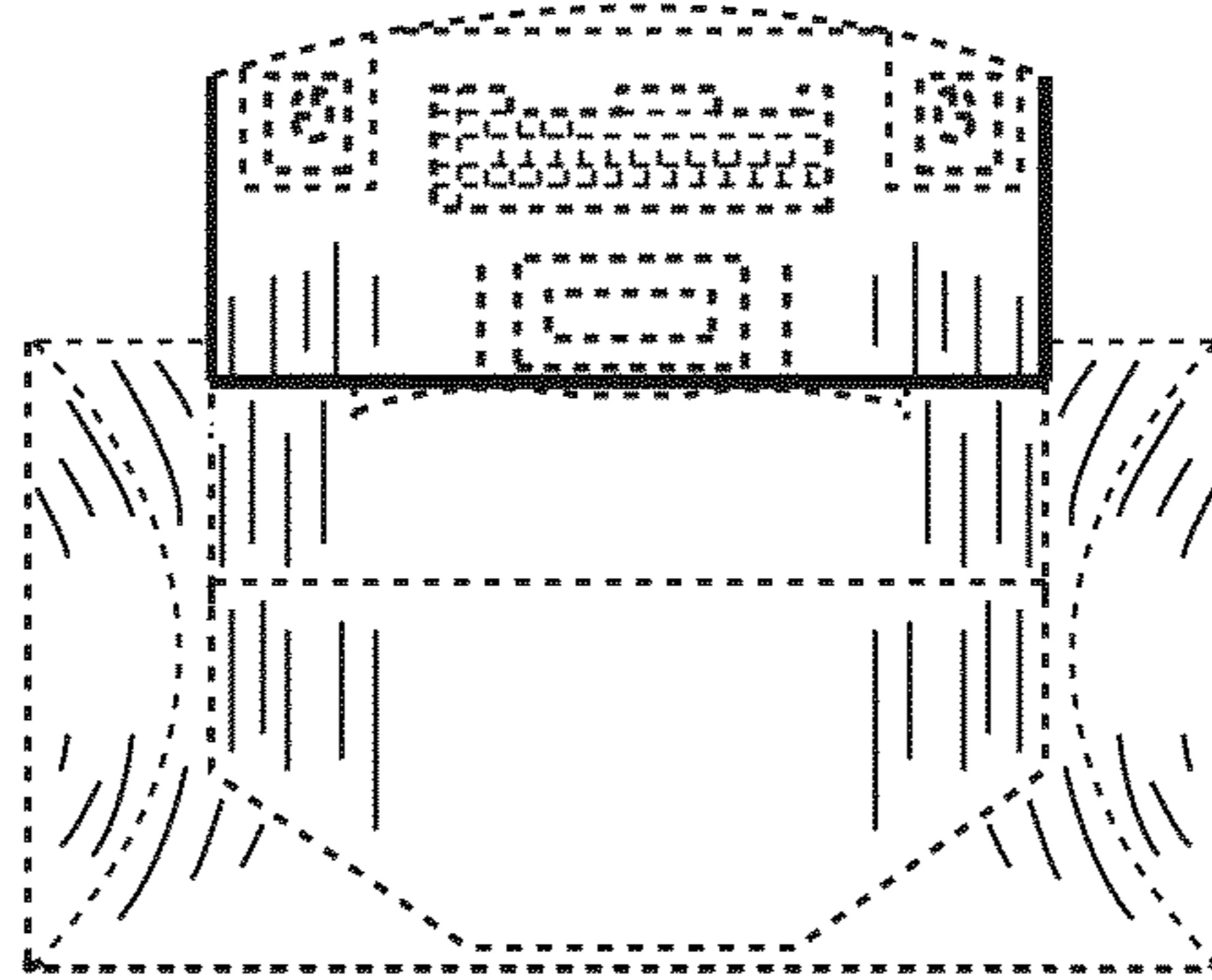


FIG. 13

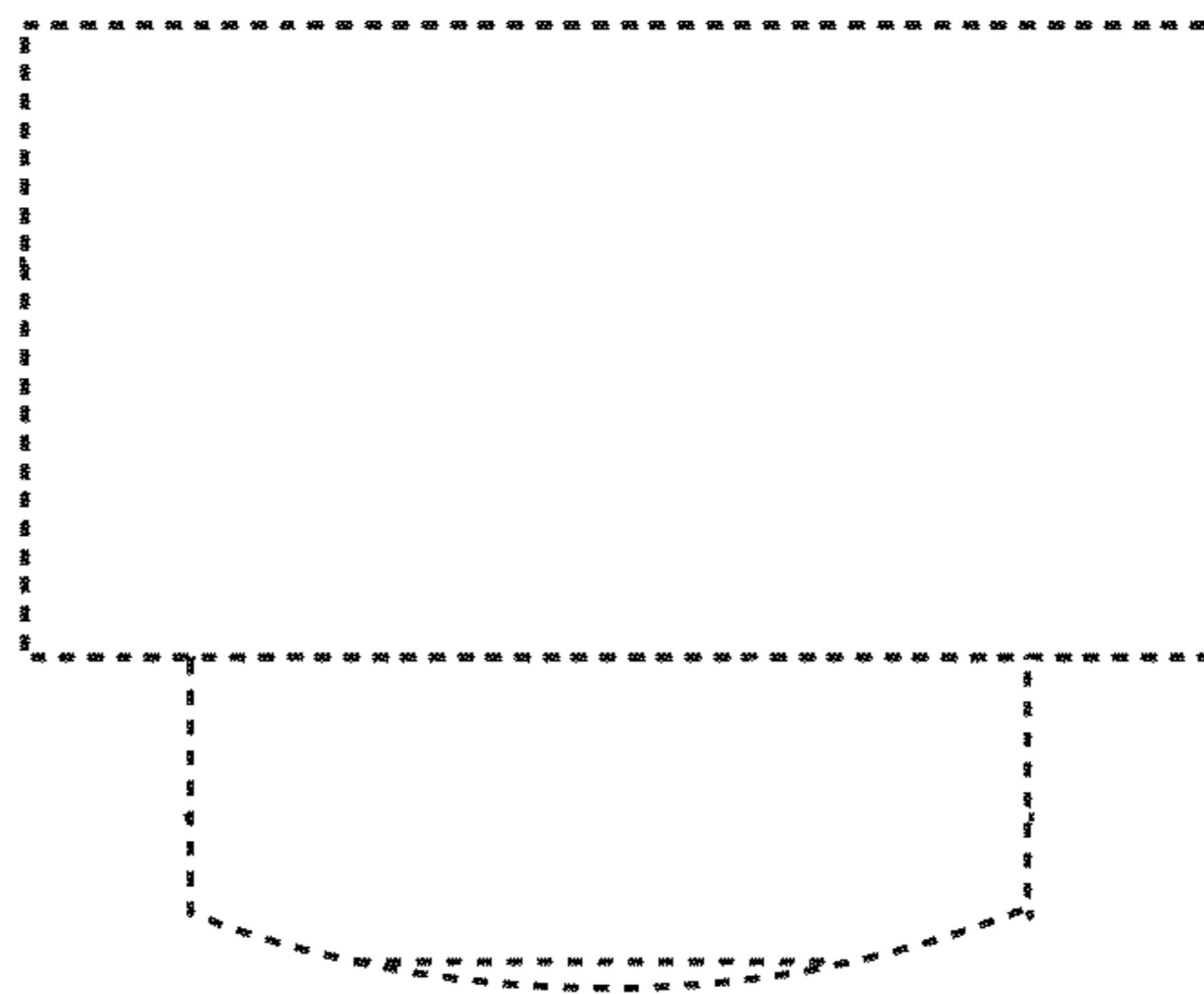


FIG. 14