



US00D884691S

(12) **United States Design Patent** (10) **Patent No.:** **US D884,691 S**  
**Wilder et al.** (45) **Date of Patent:** **\*\* May 19, 2020**

(54) **PHONE CASE**  
(71) Applicant: **VIBES AUDIO LLC**, Irvine, CA (US)  
(72) Inventors: **Shane Wilder**, Aliso Viejo, CA (US);  
**Scharles Wilder**, San Diego, CA (US)  
(73) Assignee: **VIBES AUDIO LLC**, Irvine, CA (US)  
(\*\*) Term: **15 Years**  
(21) Appl. No.: **29/671,962**  
(22) Filed: **Nov. 30, 2018**

7,457,407 B2 11/2008 Sun et al.  
D586,787 S 2/2009 Rivard et al.  
D596,158 S 7/2009 Ragde, Jr. et al.  
D596,618 S 7/2009 Zha  
7,639,830 B2 12/2009 Schell et al.  
7,653,209 B2 1/2010 Abe et al.  
(Continued)

**FOREIGN PATENT DOCUMENTS**

KR 3006336210000 2/2012  
KR 3008836580000 12/2016  
(Continued)

**OTHER PUBLICATIONS**

Vibes Audio Vibrox review, publication date Dec. 12, 2017, [online][site visited Dec. 15, 2017] URL: <https://www.digitaltrends.com/music/vibes-audio-vibrox-review/> (Year: 2017).\*  
(Continued)

*Primary Examiner* — Susan E Krakower  
*Assistant Examiner* — L. A. Grabenstetter  
(74) *Attorney, Agent, or Firm* — Knobbe, Martens, Olson & Bear, LLP

**Related U.S. Application Data**

(63) Continuation of application No. 29/583,405, filed on Nov. 4, 2016, now Pat. No. Des. 835,087.  
(51) **LOC (12) Cl.** ..... **14-03**  
(52) **U.S. Cl.**  
USPC ..... **D14/250**  
(58) **Field of Classification Search**  
USPC ..... D3/201, 218, 226, 227, 247, 249, 250,  
D3/269, 303; D13/103, 107, 108, 119;  
D14/137, 138 R, 138 AA, 138 C, 138 G,  
D14/172, 192, 203.3–203.7, 217, 238.1,  
D14/247, 248, 250–253, 434, 440, 447,  
D14/496  
CPC ..... H04B 1/3888; H04M 1/0283;  
H04M 1/0202; A45C 1/06; A45C  
2011/002; A45C 11/00; A45F 2005/028;  
A45F 2200/0525  
See application file for complete search history.

(57) **CLAIM**

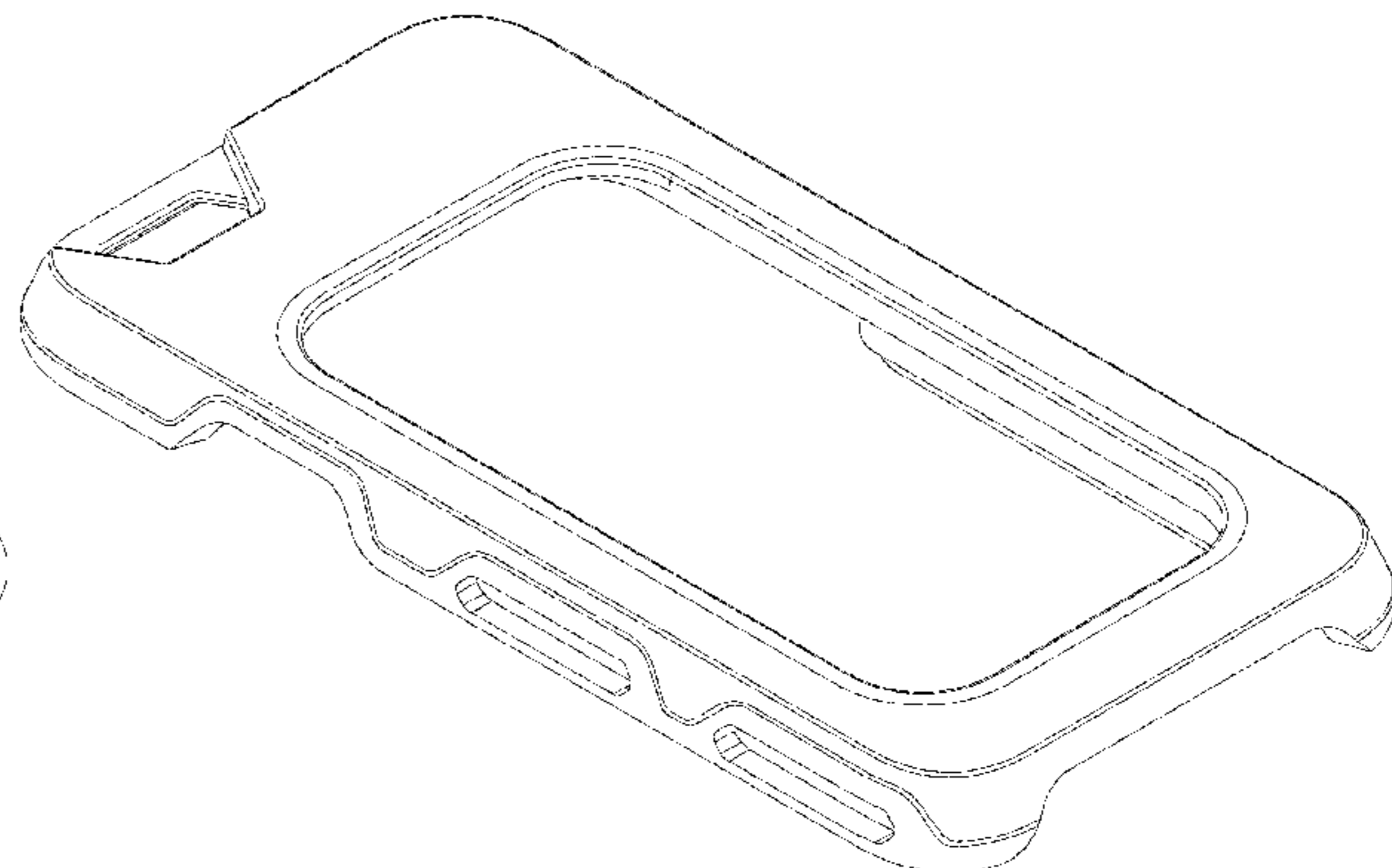
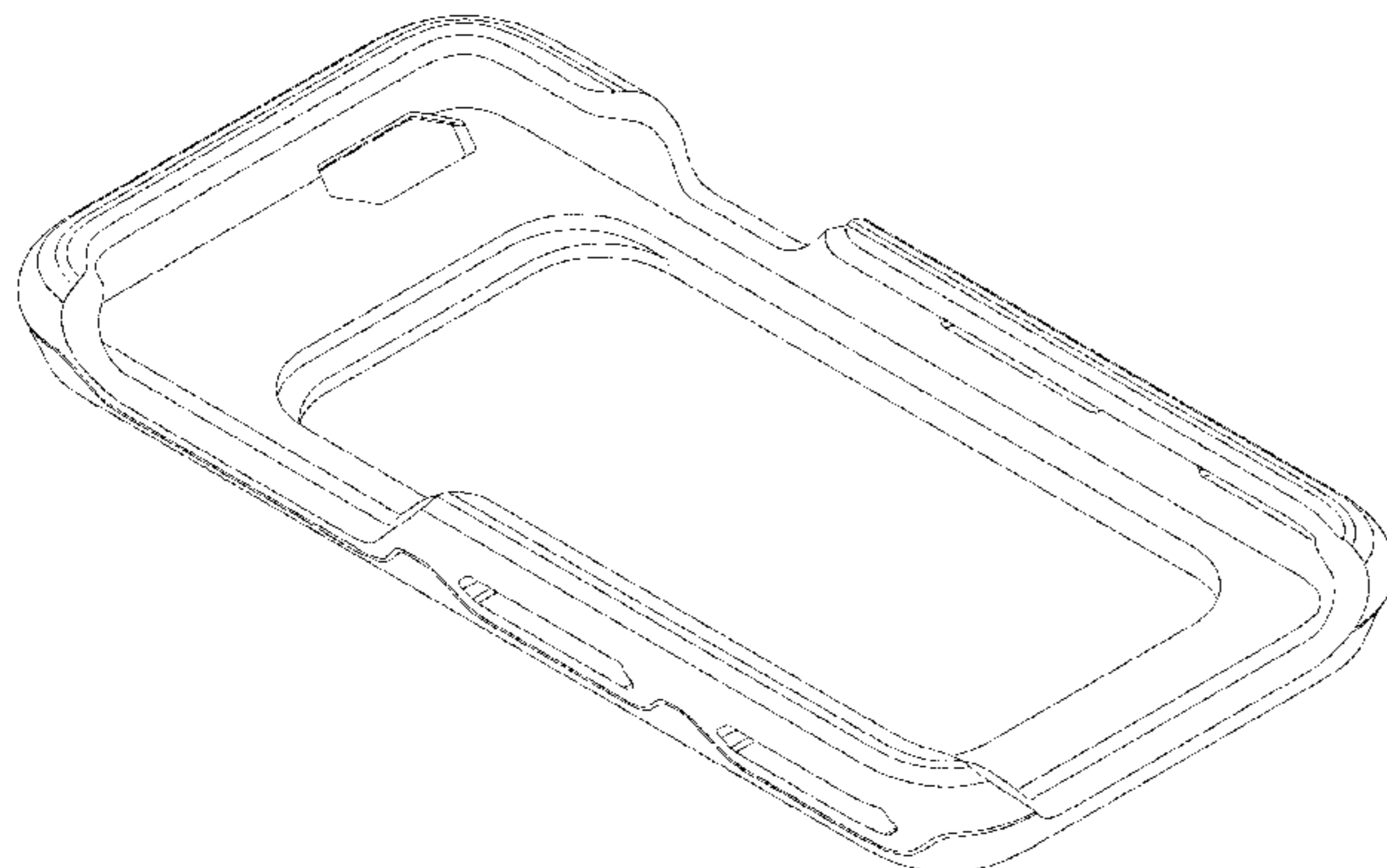
The ornamental design for a phone case, as shown.

**DESCRIPTION**

FIG. 1 is a front view of a phone case;  
FIG. 2 is a rear view thereof;  
FIG. 3 is a right-side view thereof;  
FIG. 4 is a left-side view thereof;  
FIG. 5 is a bottom view thereof;  
FIG. 6 is a top view thereof;  
FIG. 7 is front, right-side, and bottom perspective view thereof; and,  
FIG. 8 is a rear, left-side, and bottom perspective view thereof.

**1 Claim, 8 Drawing Sheets**

(56) **References Cited**  
**U.S. PATENT DOCUMENTS**  
5,245,669 A 9/1993 Bittencourt  
D344,261 S 2/1994 Watanabe  
6,675,931 B2 1/2004 Sahyoun  
D542,287 S 5/2007 Chung et al.



(56)

References Cited

U.S. PATENT DOCUMENTS

D624,304 S \* 9/2010 Danze ..... D3/201  
 D635,555 S \* 4/2011 Giles ..... D14/217  
 D639,731 S \* 6/2011 Sun ..... D13/103  
 7,985,501 B2 7/2011 Kim et al.  
 D644,428 S \* 9/2011 Feng ..... D3/218  
 D654,931 S 2/2012 Lemelman et al.  
 8,251,210 B2 8/2012 Schmidt et al.  
 D669,459 S \* 10/2012 Kim ..... D14/253  
 D674,803 S \* 1/2013 Westrup ..... A45C 3/02  
 D14/440  
 8,435,656 B2 5/2013 Koh et al.  
 D685,728 S 7/2013 Hoshi et al.  
 D685,738 S 7/2013 Moore et al.  
 8,485,404 B2 7/2013 Monaco et al.  
 D688,654 S 8/2013 Stevinson  
 D703,651 S \* 4/2014 Ehrlich ..... D14/250  
 D704,194 S \* 5/2014 Young ..... D14/440  
 8,833,379 B1 9/2014 Kaplan  
 D719,950 S \* 12/2014 Smith ..... D14/250  
 D723,533 S 3/2015 Stevinson  
 D724,785 S 3/2015 Frederick  
 D725,093 S \* 3/2015 Sun ..... D14/250  
 D725,643 S 3/2015 Lee et al.  
 D726,144 S 4/2015 Kang  
 D726,701 S \* 4/2015 Stevinson ..... D14/250  
 D735,184 S 7/2015 Lee et al.  
 D735,706 S \* 8/2015 Stevinson ..... D14/250  
 D744,470 S \* 12/2015 Stevinson ..... D14/250  
 D746,801 S 1/2016 Pan  
 9,236,617 B2 1/2016 Ogami et al.  
 D756,967 S 5/2016 Manz  
 D759,004 S 6/2016 Stevinson  
 D765,069 S 8/2016 Jeffrey  
 D769,854 S \* 10/2016 Duval ..... D14/250  
 9,525,946 B2 12/2016 Bank  
 D775,618 S \* 1/2017 Kim ..... D14/250  
 9,653,724 B2 5/2017 Lim  
 D789,343 S \* 6/2017 Hawes ..... D14/250  
 D791,115 S \* 7/2017 Schilling ..... D14/250  
 9,887,725 B1 2/2018 Wilder et al.  
 D819,620 S \* 6/2018 Parker ..... D14/250  
 D835,087 S 12/2018 Wilder et al.  
 D836,620 S \* 12/2018 Ehrlich ..... D14/250  
 D837,776 S \* 1/2019 Chung ..... D14/250

D841,636 S \* 2/2019 Turk ..... B60R 11/02  
 D14/250  
 10,211,876 B2 2/2019 Wilder et al.  
 D848,366 S \* 5/2019 Lian ..... D13/108  
 D857,687 S \* 8/2019 Frederick ..... D14/250  
 D865,741 S \* 11/2019 Hawes ..... D14/250  
 D868,051 S \* 11/2019 Kim ..... D14/250  
 2005/0168111 A1 8/2005 Bank et al.  
 2013/0157730 A1 6/2013 McCormac et al.  
 2013/0181584 A1 7/2013 Whitten et al.  
 2014/0135080 A1 5/2014 Kimball et al.  
 2014/0290917 A1 10/2014 Chang et al.  
 2015/0341712 A1 11/2015 Wilcox et al.  
 2018/0198479 A1 7/2018 Wilder et al.

FOREIGN PATENT DOCUMENTS

KR 3008854610000 12/2016  
 KR 3009120470000 6/2017

OTHER PUBLICATIONS

Vibes Audio Modular Smartphone Accessories Featuring Baserox, Vibrox, an Voltrox, publication date Jan. 2, 2018, [online][site visited Dec. 18, 2019] URL: <https://gstylemag.com/2018/01/02/vibes-audio-modular-smartphone-accessories-featuring-baserox-vibrox-and-voltrox/> (Year: 2018).  
 Review: Viberox Sound Engine, publication date Feb. 13, 2018, [online][site visited Dec. 18, 2019] URL: <https://www.prosoundnetwork.com/archives/review-viberox-sound-engine> (Year: 2018).  
 U.S. Appl. No. 29/609,364, filed Jun. 29, 2017, Wilder et al.  
 U.S. Appl. No. 16/277,702, filed Feb. 15, 2019, Wilder et al.  
 U.S. Appl. No. 16/340,078, filed Apr. 5, 2019, Wilder et al.  
 International Search Report and Written Opinion of the International Searching Authority for International Application No. PCT/US2017/055118, dated Feb. 13, 2018, in 14 pages.  
 Roxon Modular Smartphone System, Vibes Modular, downloaded from <https://vibesmodular.com/> on Apr. 30, 2018, in 6 pages.  
 Vibes Audio Vibrox review, posted at Digitaltrends.com, posting date Dec. 12, 2017, [online], [site visited Dec. 15, 2017]. Available from Internet, <URL: <https://www.digitaltrends.com/music/vibes-audio-vibrox-review/>>.

\* cited by examiner

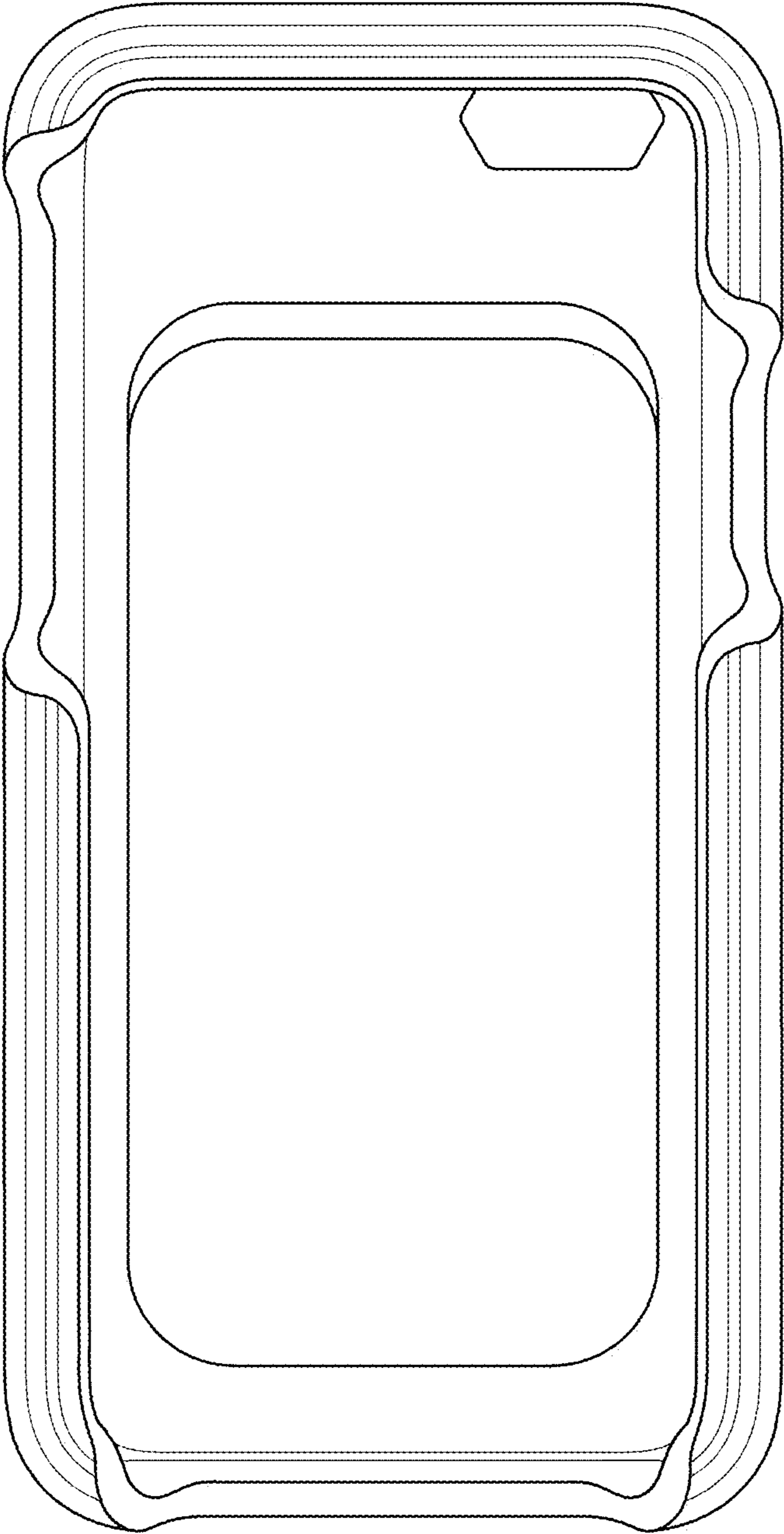


FIG. 1

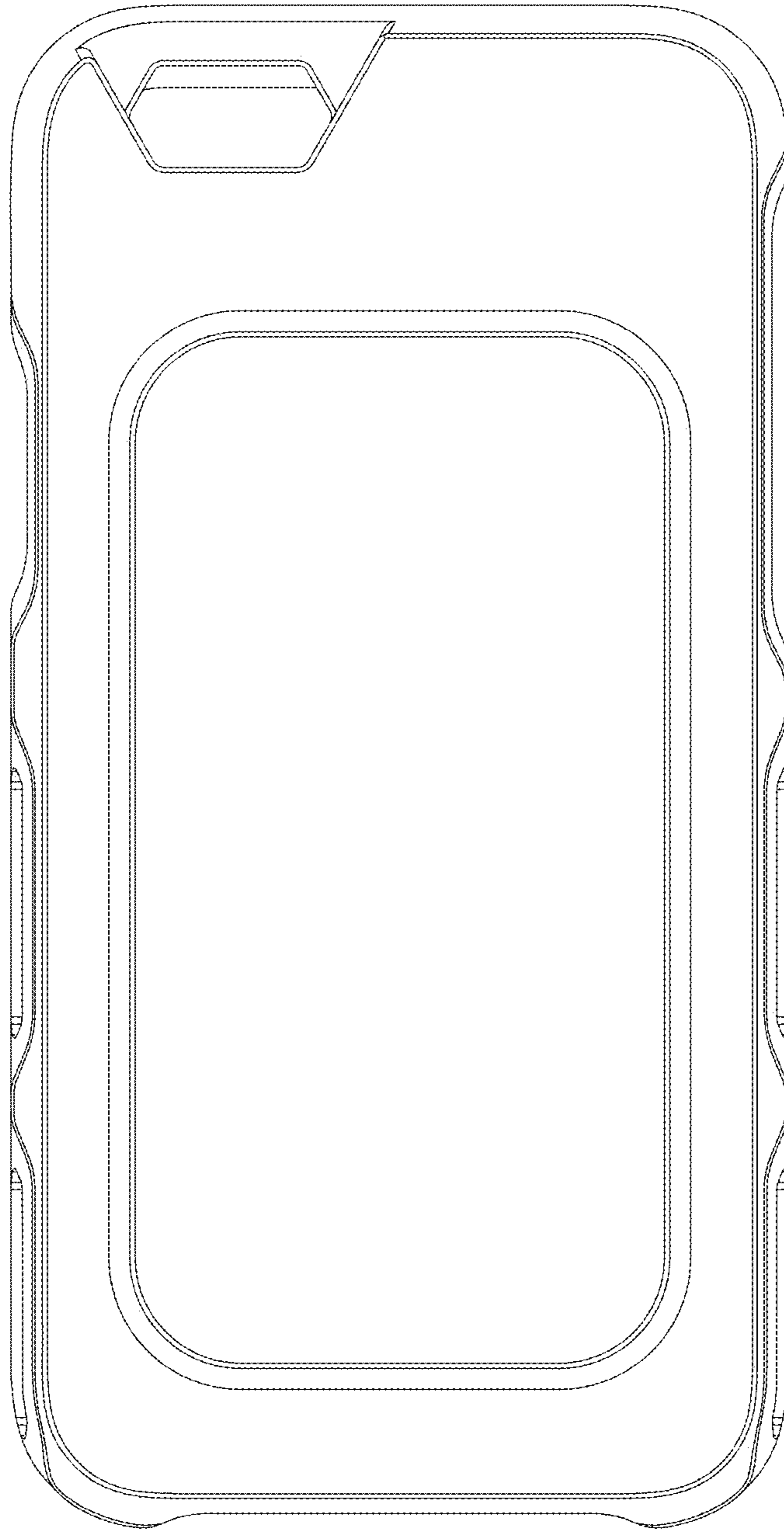


FIG. 2

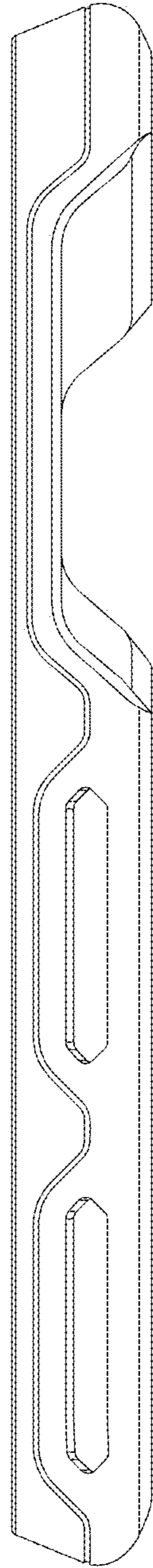


FIG. 3

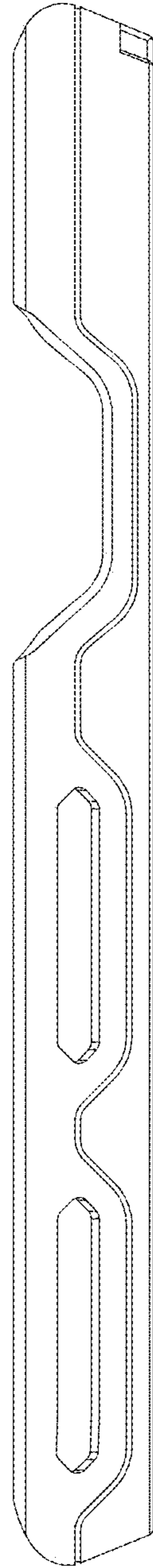


FIG. 4

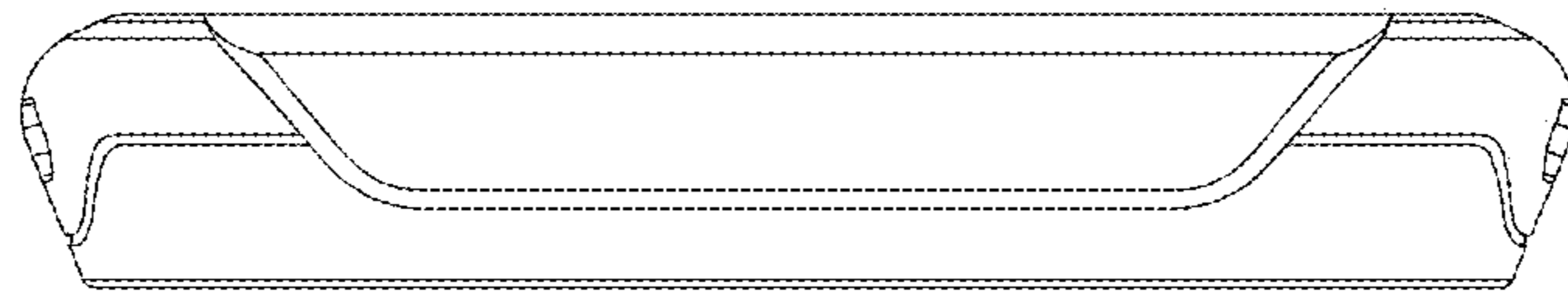


FIG. 5

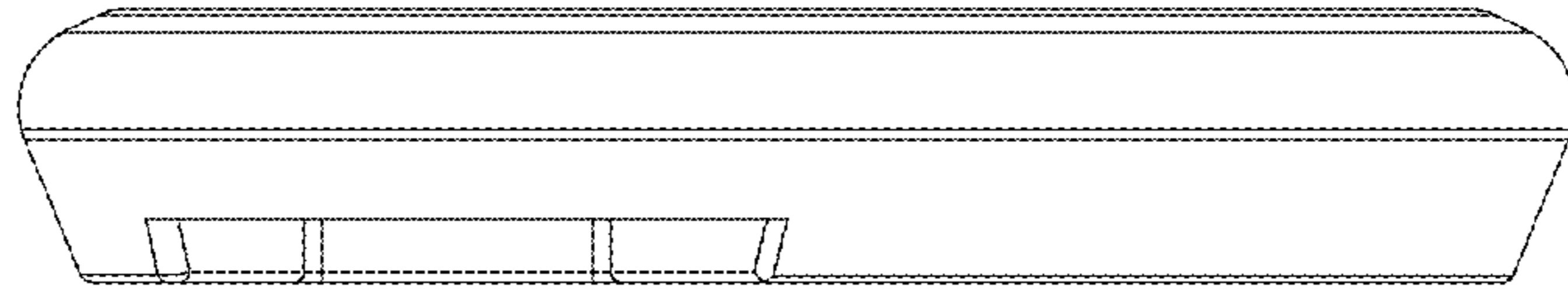


FIG. 6



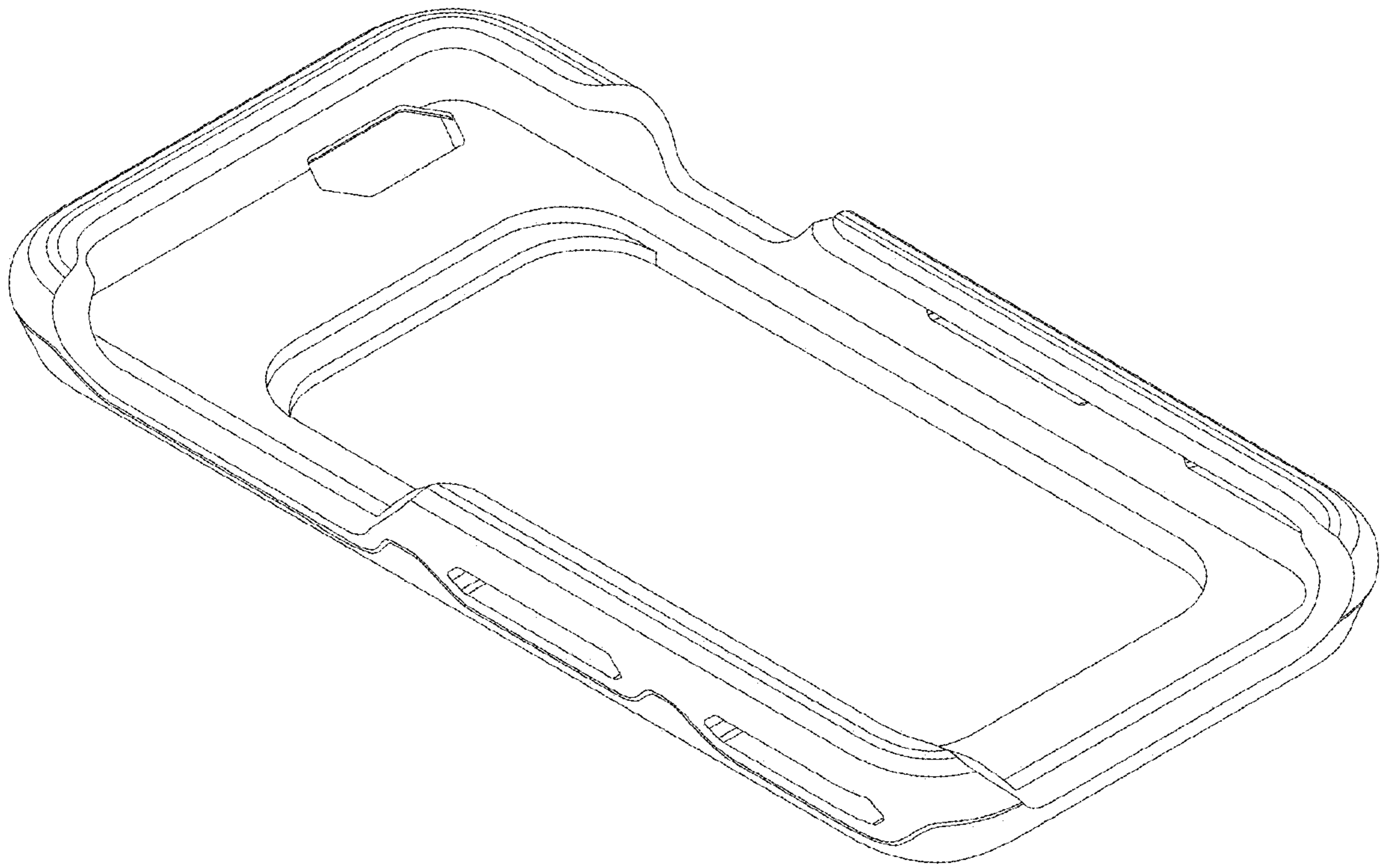


FIG. 7

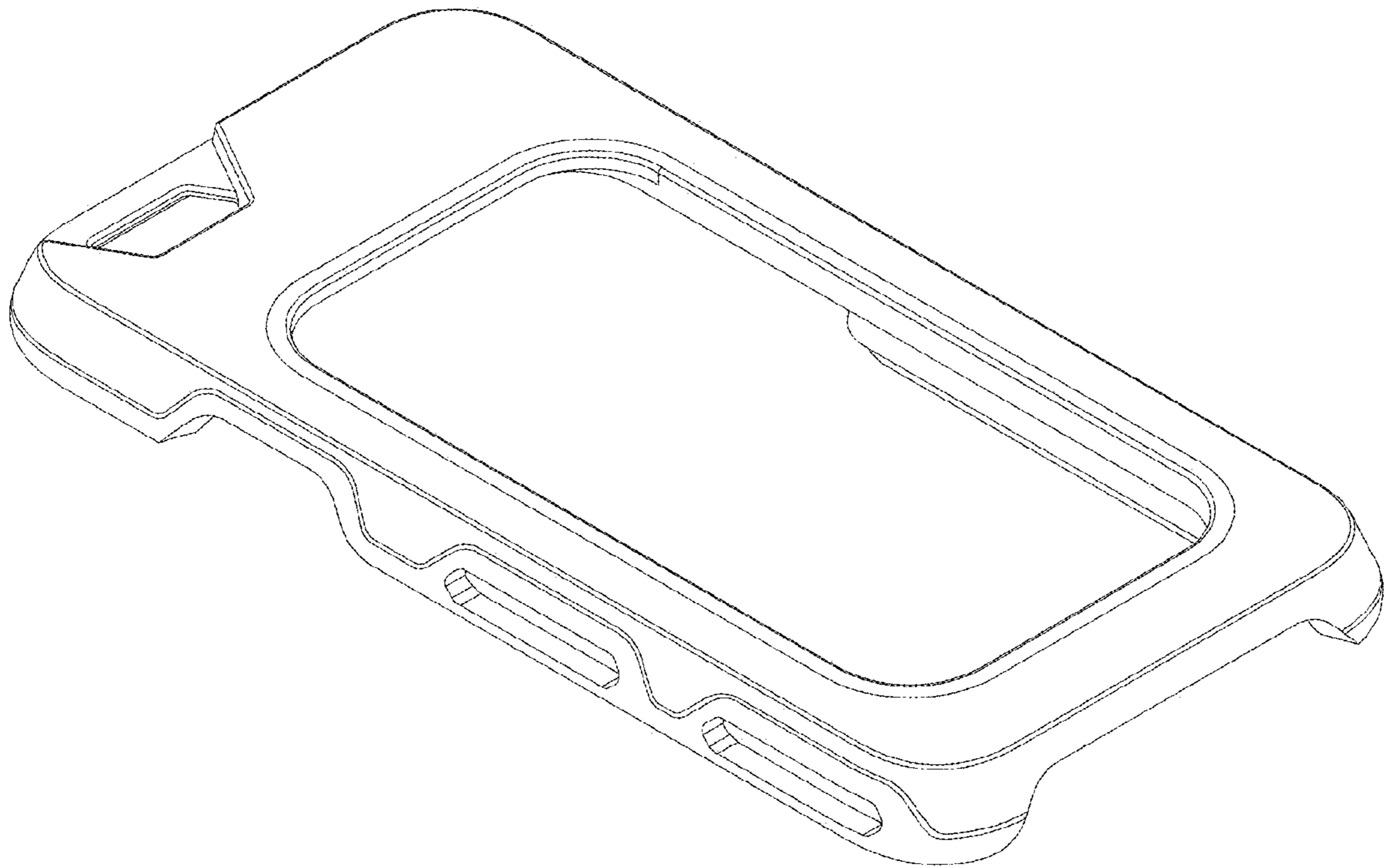


FIG. 8