



US00D884686S

(12) **United States Design Patent**
Shen

(10) **Patent No.:** **US D884,686 S**

(45) **Date of Patent:** **** May 19, 2020**

(54) **PORTION OF WIRELESS RECEIVER**

(71) Applicant: **TIMOTION TECHNOLOGY CO., LTD.**, New Taipei (TW)

(72) Inventor: **Bo-Yen Shen**, New Taipei (TW)

(73) Assignee: **TIMOTION TECHNOLOGY CO., LTD.**, New Taipei (TW)

(**) Term: **15 Years**

(21) Appl. No.: **29/675,562**

(22) Filed: **Jan. 3, 2019**

(51) **LOC (12) Cl.** **14-03**

(52) **U.S. Cl.**
USPC **D14/240; D14/299**

(58) **Field of Classification Search**
USPC ... D14/240, 358, 299, 204, 227, 223, 224.1, D14/214, 138, 218, 147, 148, 247, 248, D14/250, 192, 198, 188, 155, 433, 341, D14/356; 181/155; D13/162, 168, 184; D10/104.1, 106.1; 206/277; 229/115; 4/259; 379/433, 434, 419, 420, 428, 440; 455/90.3, 575.1, 569.1
CPC . H04R 25/00; H04R 1/02; H04M 1/02; G06F 1/16; G06F 17/00; H01R 13/62; H05K 5/00; G02B 6/3552

See application file for complete search history.

(56) **References Cited**

U.S. PATENT DOCUMENTS

- 2,016,011 A * 10/1935 Kent H01Q 1/1235 52/292
- D124,598 S * 1/1941 Brodovitch D9/651
- 2,468,123 A * 4/1949 Shina B65D 5/0245 229/127
- 3,196,990 A * 7/1965 Handley E04H 12/08 52/844
- 3,649,394 A * 3/1972 Erickson, Jr. H01Q 1/38 216/13

- D225,865 S * 1/1973 Sjosteder D14/212
- D238,880 S * 2/1976 Elwell D14/212
- 4,040,520 A * 8/1977 Joaquin A47F 5/02 211/85.4
- 4,083,426 A * 4/1978 Peugh H04R 1/02 181/144
- 4,231,446 A * 11/1980 Weiss H04B 1/28 181/148
- 4,248,025 A * 2/1981 Kleine E04H 12/08 174/45 R
- 4,249,037 A * 2/1981 Dexter H04R 1/02 181/144
- D273,786 S * 5/1984 Owerko D13/168
- D280,896 S * 10/1985 Campbell D14/155

(Continued)

Primary Examiner — Paula Allen Greene

(74) *Attorney, Agent, or Firm* — Chun-Ming Shih; HDLS IPR Services

(57) **CLAIM**

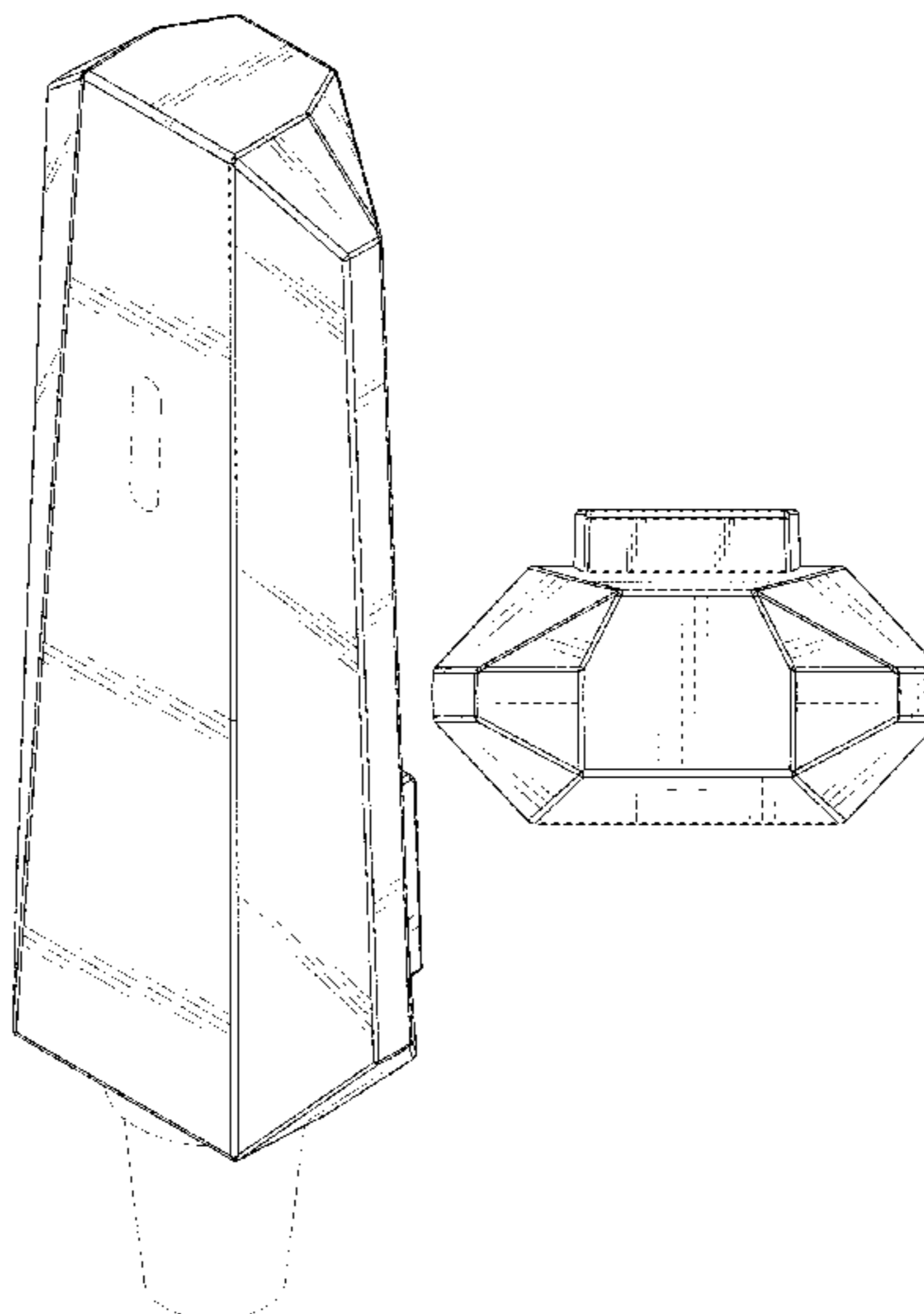
The ornamental design for a portion of wireless receiver, as shown and described.

DESCRIPTION

FIG. 1 is a perspective view of a portion of wireless receiver showing my new design;
 FIG. 2 is a front view thereof;
 FIG. 3 is a rear view thereof;
 FIG. 4 is a left side view thereof;
 FIG. 5 is a right side view thereof;
 FIG. 6 is a top view thereof;
 FIG. 7 is a bottom view thereof; and,
 FIG. 8 is a second perspective view showing the portion of wireless receiver; and,
 FIG. 9 is a third perspective view showing the portion of wireless receiver.

In the drawing, the claimed design is defined by the shaded surfaces; the broken lines depict unclaimed environment that forms no part of the claimed design.

1 Claim, 9 Drawing Sheets



(56)

References Cited

U.S. PATENT DOCUMENTS

D288,090 S * 2/1987 Lewis D14/211
 D291,888 S * 9/1987 Fong D10/106.1
 D293,672 S * 1/1988 Redaelli D14/230
 D306,583 S * 3/1990 Krolopp D13/184
 D309,141 S * 7/1990 Cooper D14/230
 5,040,721 A * 8/1991 Essack B65D 5/008
 D320,986 S * 10/1991 Suckley D14/144
 D329,240 S * 9/1992 Cooper D14/230
 D346,172 S * 4/1994 Fields D14/137
 D350,956 S * 9/1994 Sumikawa D14/155
 5,375,353 A * 12/1994 Hulse G09F 13/00
 5,436,976 A * 7/1995 Dougherty H04R 1/02
 D405,090 S * 2/1999 Guttadauro D14/230
 D408,035 S * 4/1999 Denham D14/212
 D426,529 S * 6/2000 Lohrding D14/137
 D466,885 S * 12/2002 MacFarlane D14/204
 D471,888 S * 3/2003 Solland D14/204
 D480,388 S * 10/2003 Spelman D14/230
 D480,389 S * 10/2003 Schulz D14/240
 D483,030 S * 12/2003 Melton D14/230
 D559,838 S * 1/2008 Yuba D14/230
 D576,621 S * 9/2008 Tanaka D14/358
 D578,510 S * 10/2008 Tanaka D14/215

D584,308 S * 1/2009 Johnson, Jr. D14/358
 D587,708 S * 3/2009 Yoshida D14/358
 D643,025 S * 8/2011 Podduturi D14/230
 D664,127 S * 7/2012 Yang D14/230
 D666,994 S * 9/2012 Pazandeh D14/215
 D697,894 S * 1/2014 Krisztal D14/204
 D711,358 S * 8/2014 Jeon D14/230
 D735,163 S * 7/2015 Valeur D14/216
 D744,541 S * 12/2015 Langhammer D14/203.1
 9,290,959 B1 * 3/2016 Tadros E04H 12/16
 D763,229 S * 8/2016 Yagi D14/214
 D770,534 S * 11/2016 Thissen D14/496
 D771,141 S * 11/2016 Langhammer D14/496
 D771,711 S * 11/2016 Hsieh D14/496
 D795,465 S * 8/2017 Deffense D25/126
 D813,210 S * 3/2018 Benedetti D14/230
 D817,918 S * 5/2018 Sabatino D14/188
 D821,983 S * 7/2018 Shah D13/168
 D835,614 S * 12/2018 Kahn D14/240
 D868,021 S * 11/2019 Kittmann D14/188
 D875,823 S * 2/2020 Hinson D17/99
 D878,324 S * 3/2020 Crane D14/188
 2005/0097855 A1 * 5/2005 Fouad E04H 12/12
 52/843
 2005/0285011 A1 * 12/2005 Harwood E04H 12/2261
 248/519
 2010/0267431 A1 * 10/2010 Fratti A45F 5/02
 455/575.6

* cited by examiner

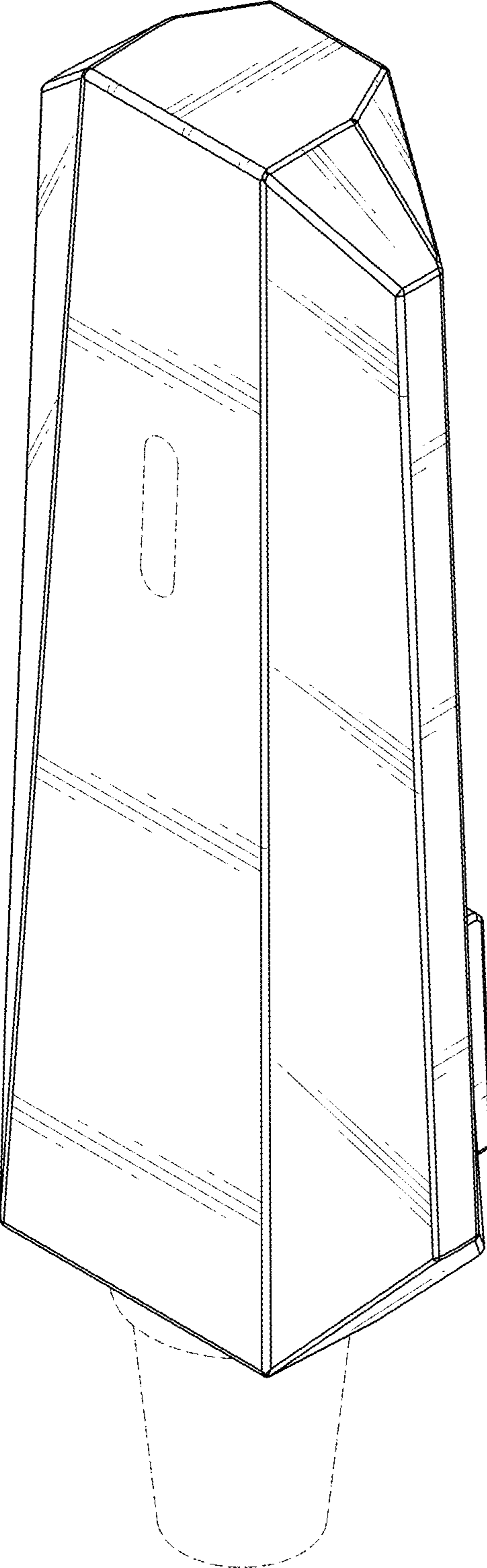


FIG.1

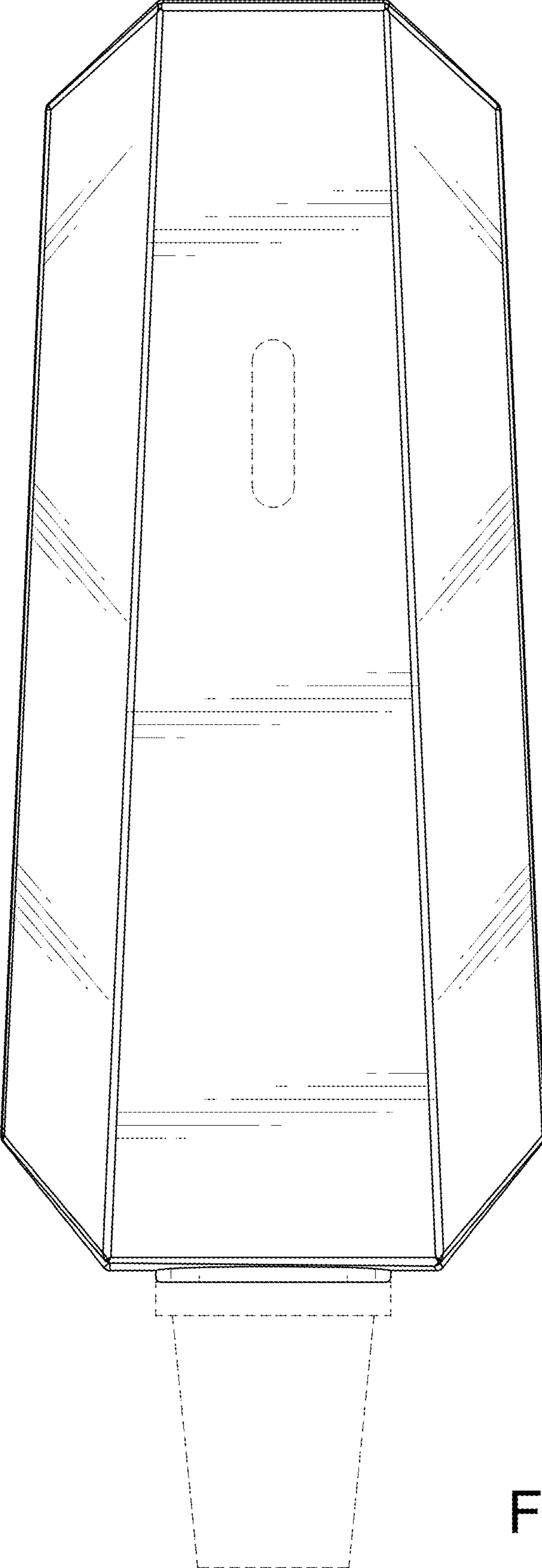


FIG.2

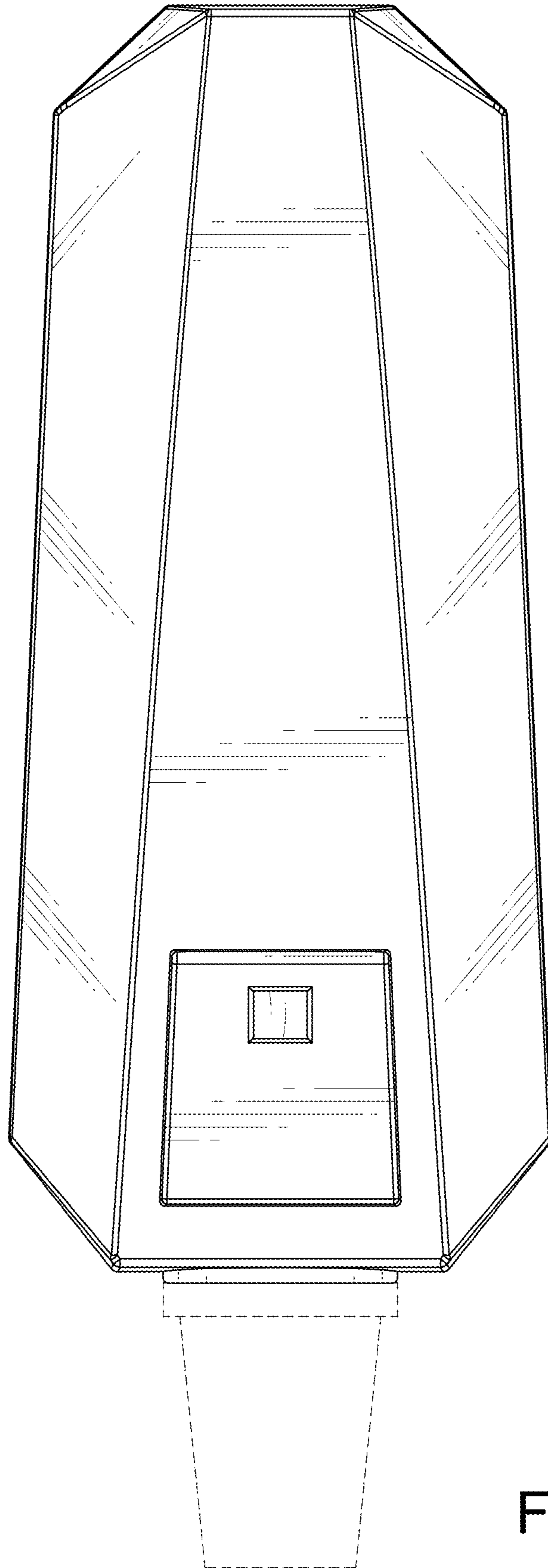


FIG.3

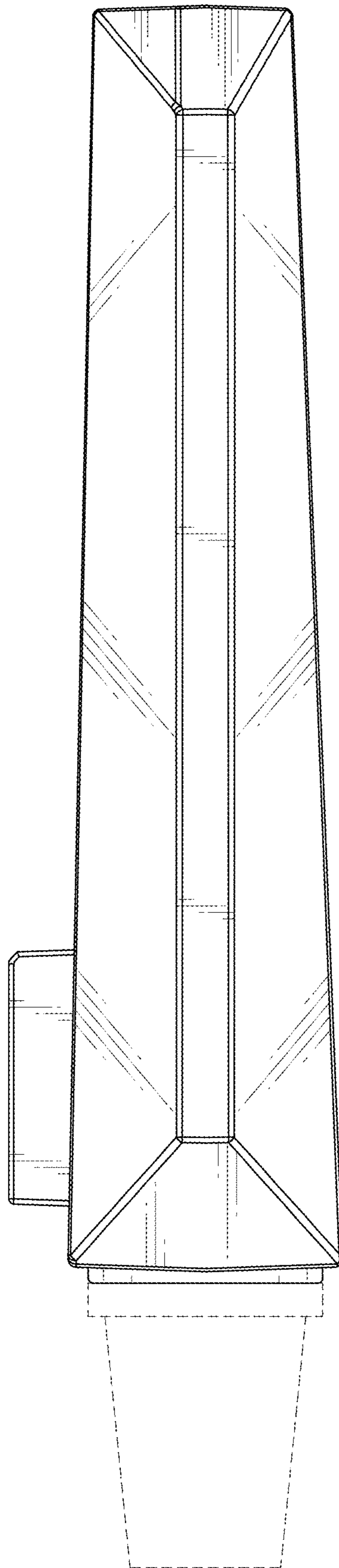


FIG.4

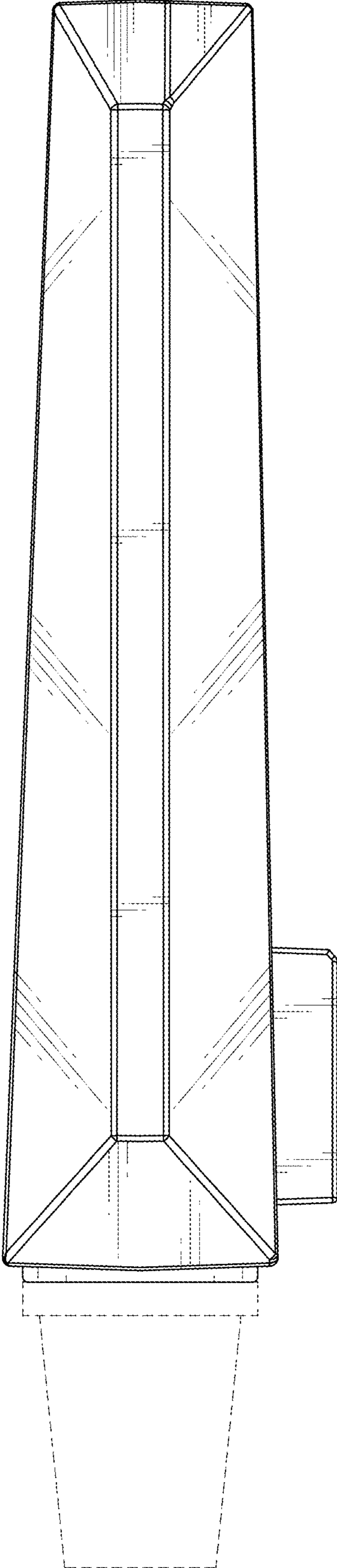


FIG.5

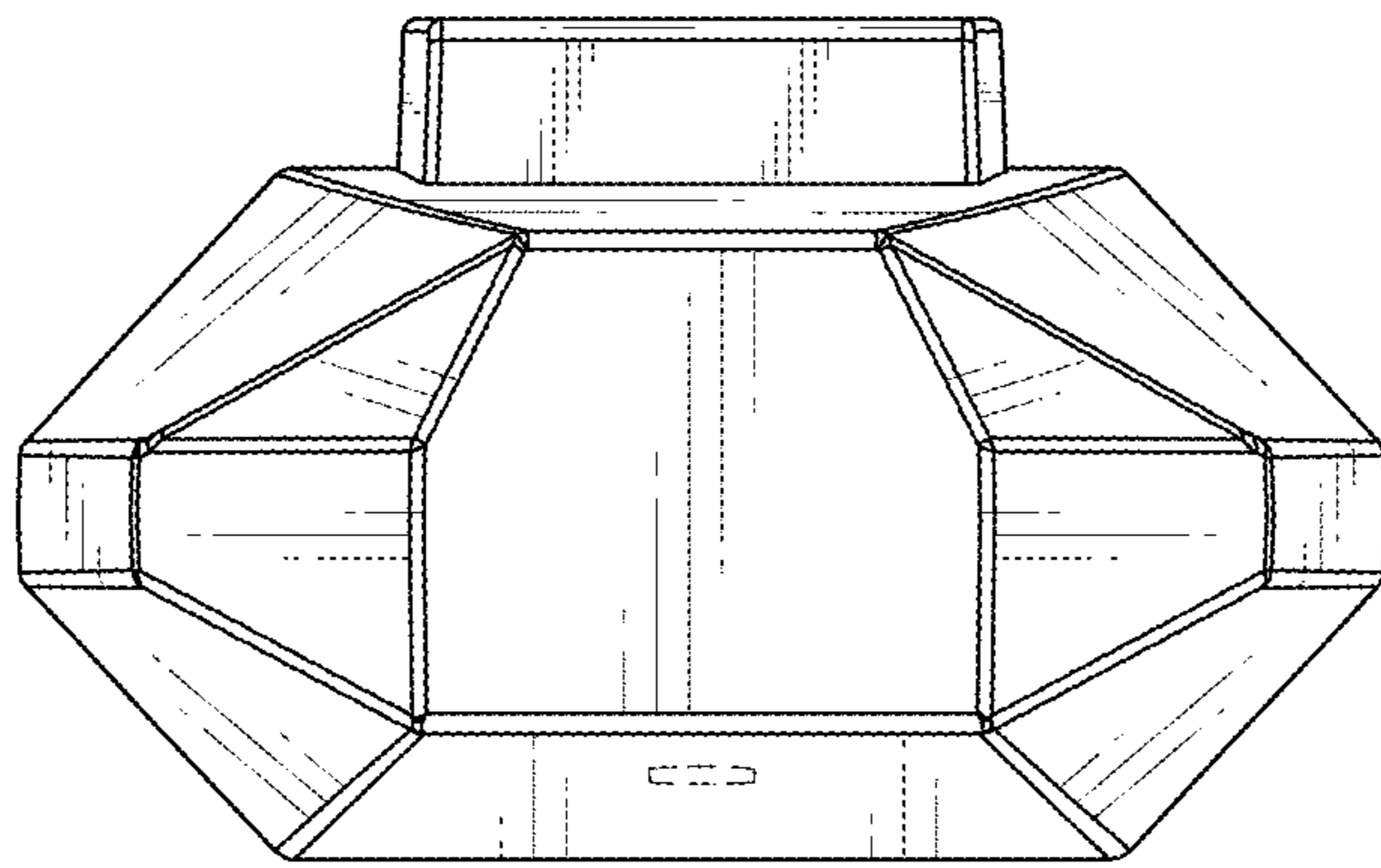


FIG.6

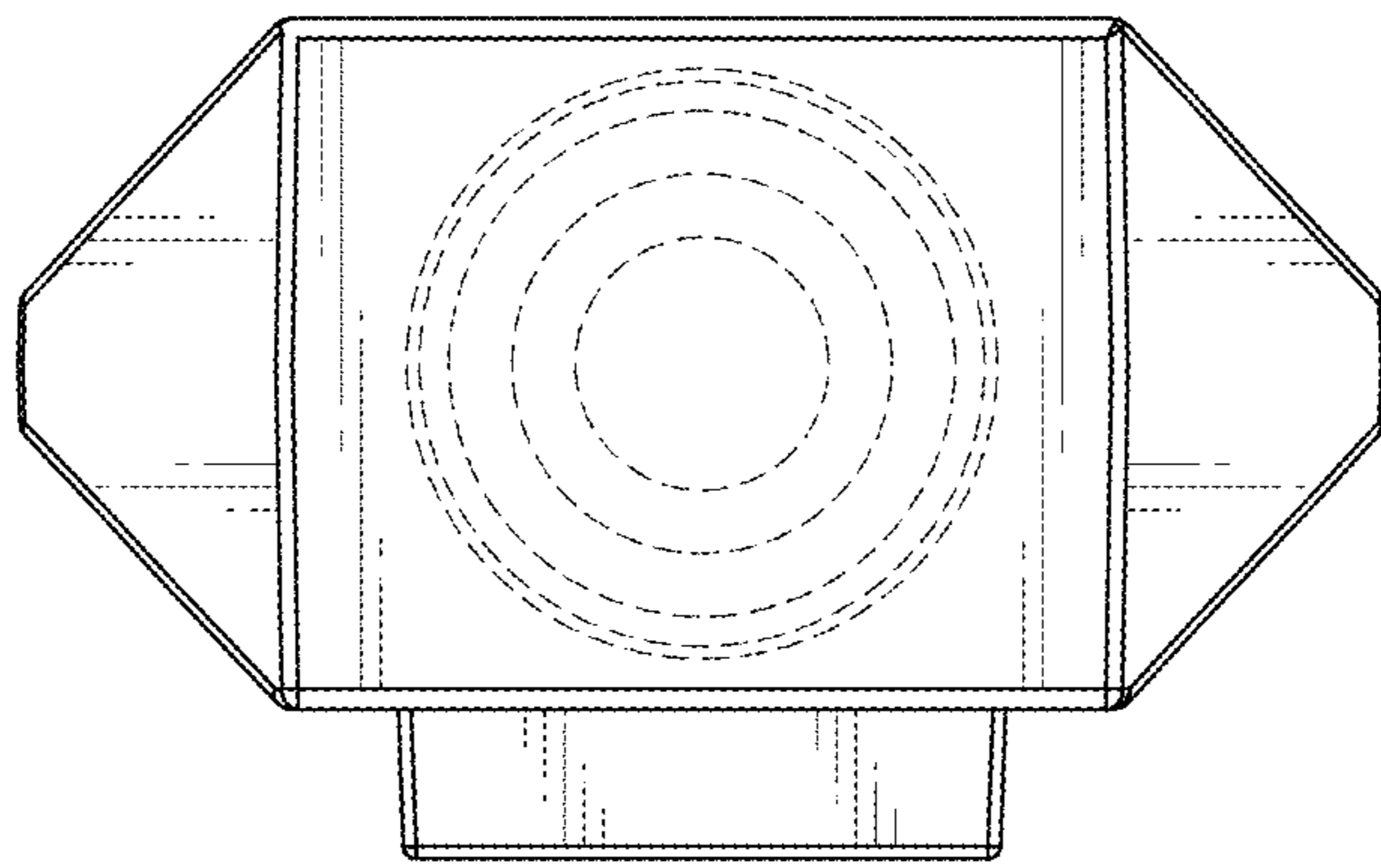


FIG.7

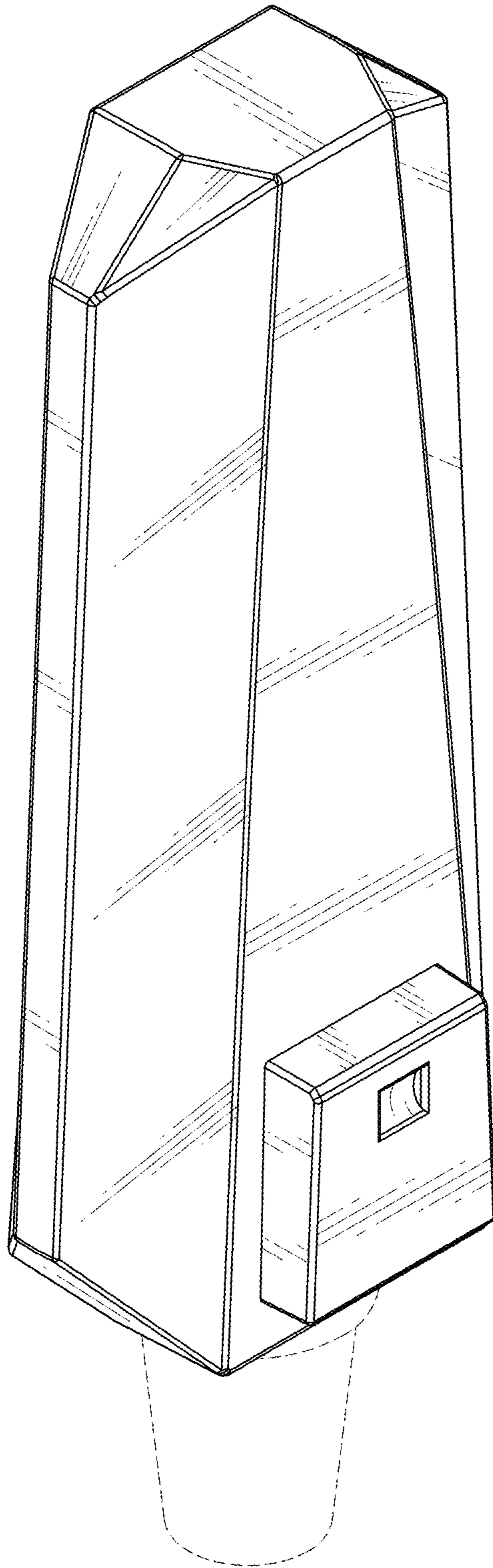


FIG.8

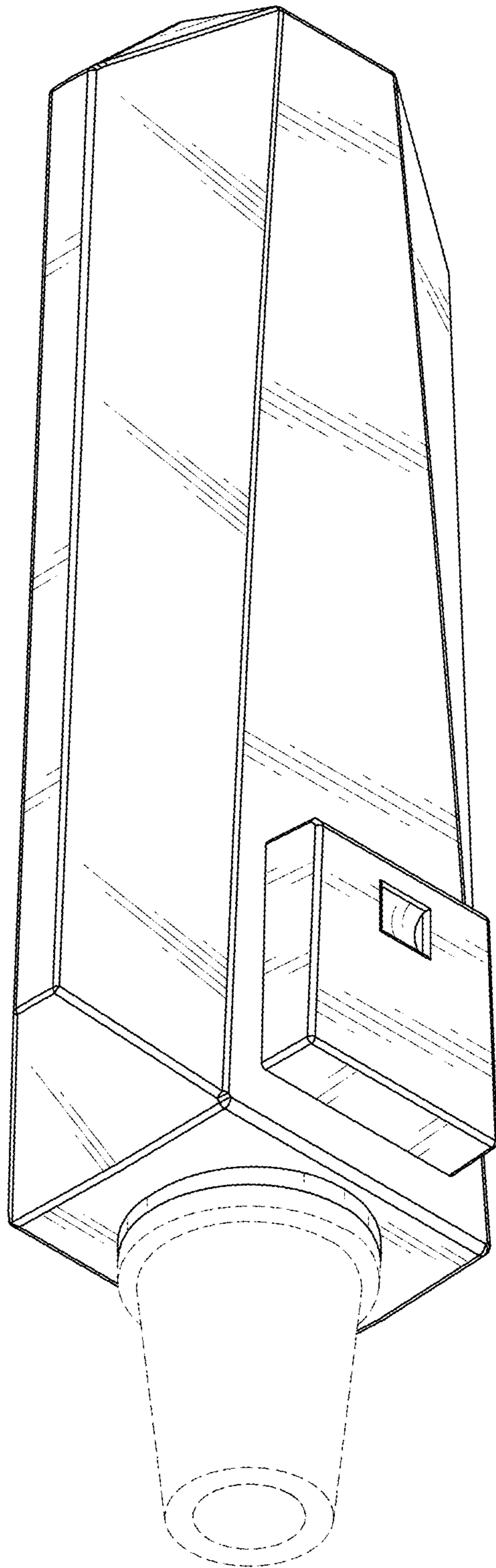


FIG.9