



US00D884685S

(12) **United States Design Patent**  
**Chen**

(10) **Patent No.:** **US D884,685 S**

(45) **Date of Patent:** **\*\* May 19, 2020**

- (54) **DESKTOP-TYPE MICROPHONE**
- (71) Applicant: **Ching-Wen Chen**, Taipei (TW)
- (72) Inventor: **Ching-Wen Chen**, Taipei (TW)
- (\*\*) Term: **15 Years**
- (21) Appl. No.: **29/663,948**
- (22) Filed: **Sep. 20, 2018**
- (51) **LOC (12) Cl.** ..... **14-01**
- (52) **U.S. Cl.**  
USPC ..... **D14/227**
- (58) **Field of Classification Search**  
USPC ..... D14/221, 225, 226, 227, 228, 229, 150,  
D14/154, 155, 158, 160, 172; D21/513  
CPC ..... H04R 19/04; H04R 19/00; H04R 1/406;  
H04R 1/08; H04R 1/04; H04R 1/326;  
H04R 29/004; H04R 2410/00; H04R  
2410/01; H04R 2410/03; H04R 2410/05;  
H04R 2410/07; H04R 2420/07; H04R  
17/02  
See application file for complete search history.

(56) **References Cited**

**U.S. PATENT DOCUMENTS**

- D534,151 S \* 12/2006 Marquez ..... D14/158
- D718,748 S \* 12/2014 Pan ..... D14/159

- D746,269 S \* 12/2015 Chen ..... D14/227
- D761,234 S \* 7/2016 Aglassinger ..... D14/226
- D767,635 S \* 9/2016 Aglassinger ..... D14/496
- D835,080 S \* 12/2018 Chen ..... D14/226
- D843,979 S \* 3/2019 Boccio Vazquez ..... D14/229

\* cited by examiner

*Primary Examiner* — Keli L Hill

(74) *Attorney, Agent, or Firm* — Pro-Techtor International Services; Ian Oglesby

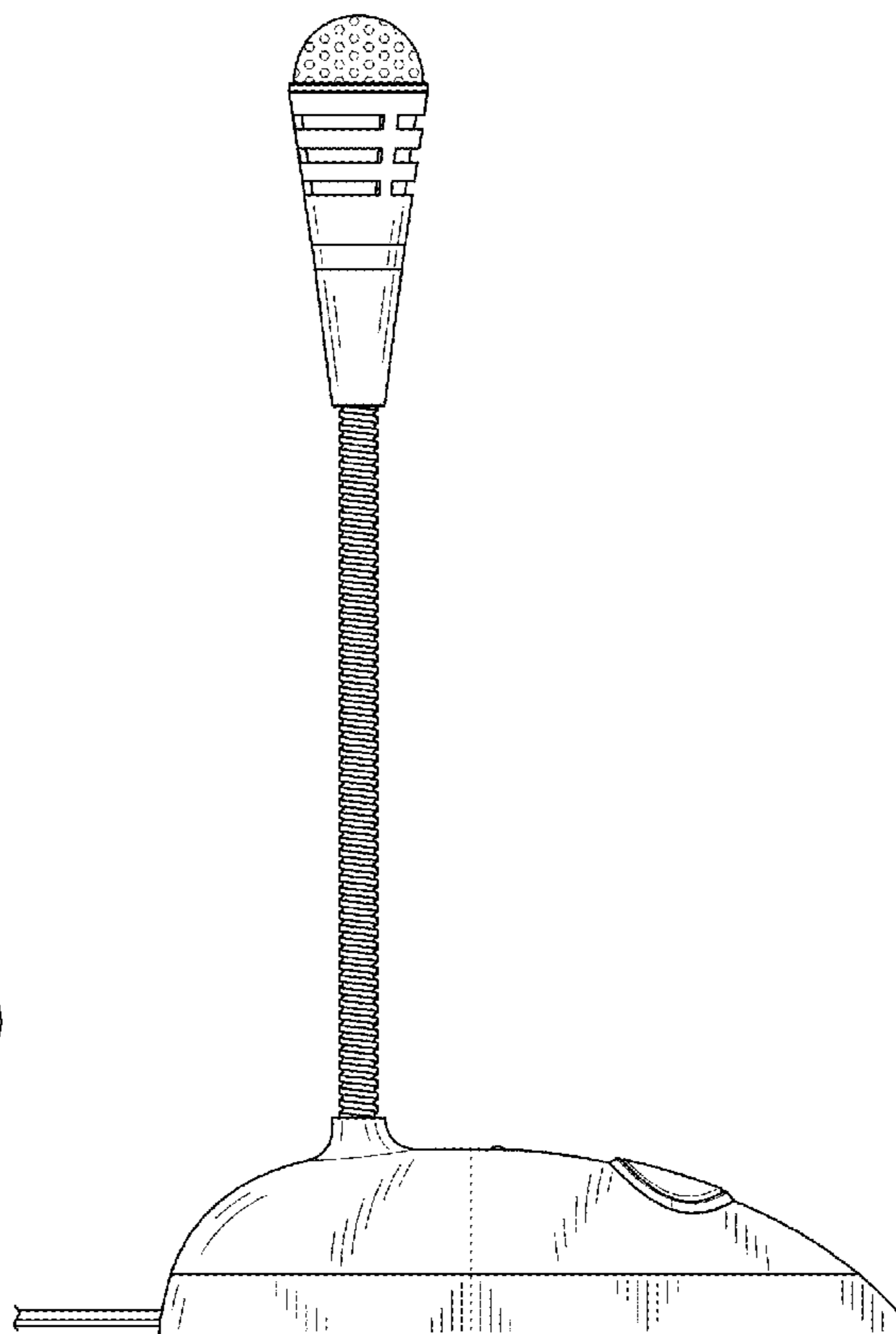
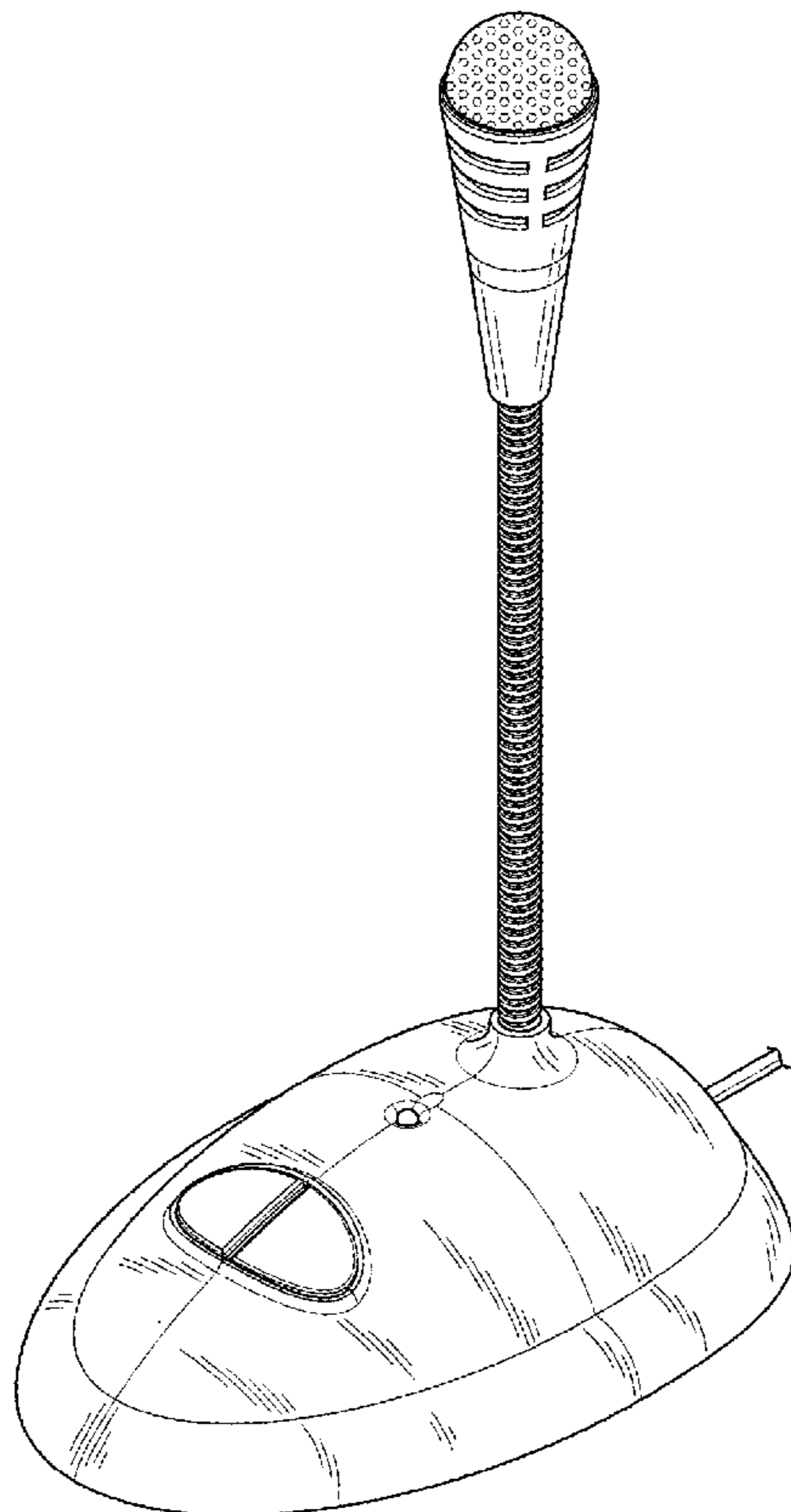
(57) **CLAIM**

The ornamental design for a desktop-type microphone, as shown and described.

**DESCRIPTION**

FIG. 1 is a top perspective view of desktop-type microphone showing my new design; and  
FIG. 2 is a front view thereof; and  
FIG. 3 is a rear view thereof; and  
FIG. 4 is a left elevational side view thereof; and  
FIG. 5 is a right elevational side view thereof; and  
FIG. 6 is a top elevational view thereof; and,  
FIG. 7 is a bottom elevational view thereof.

**1 Claim, 7 Drawing Sheets**



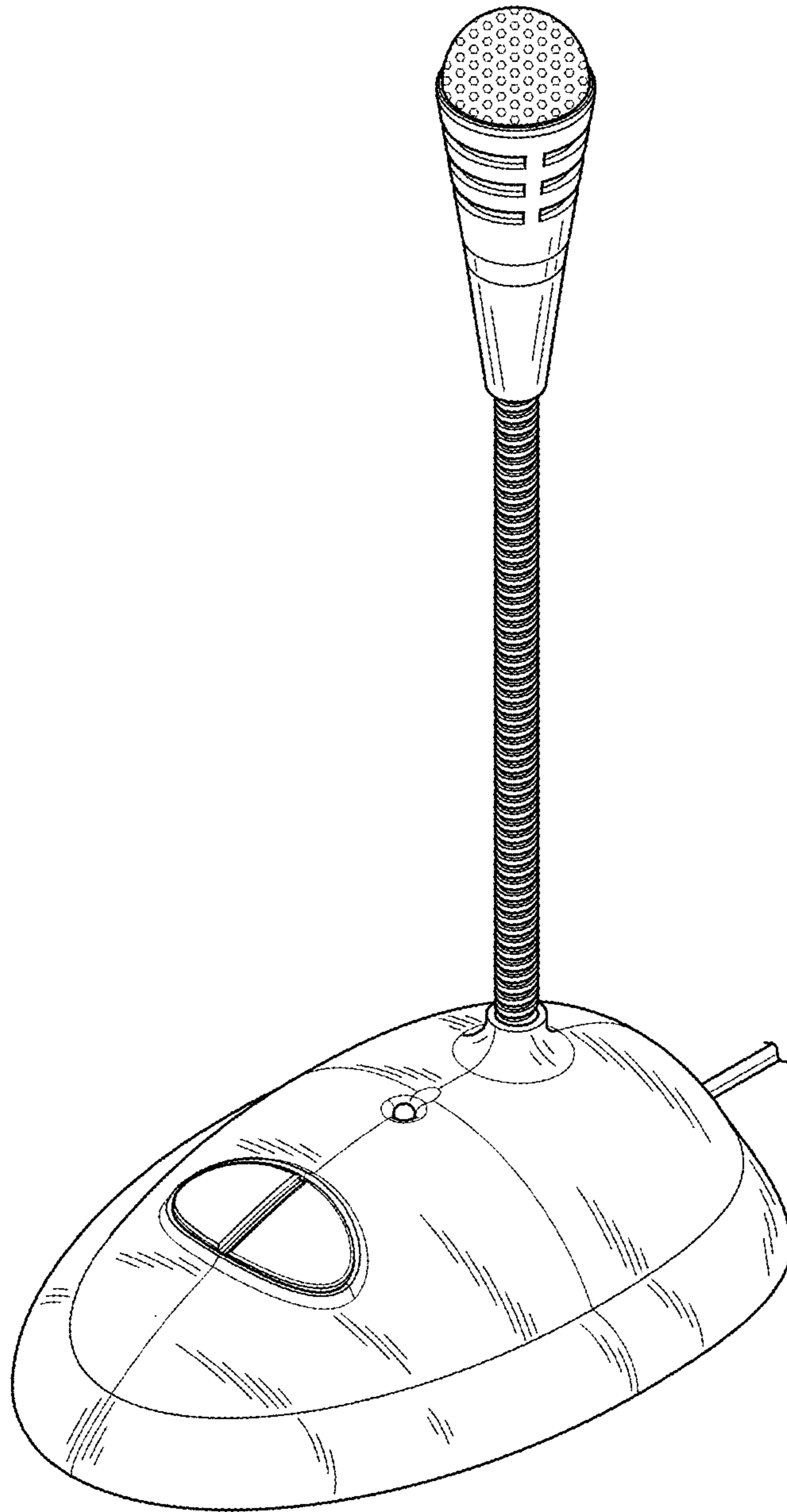


Fig. 1

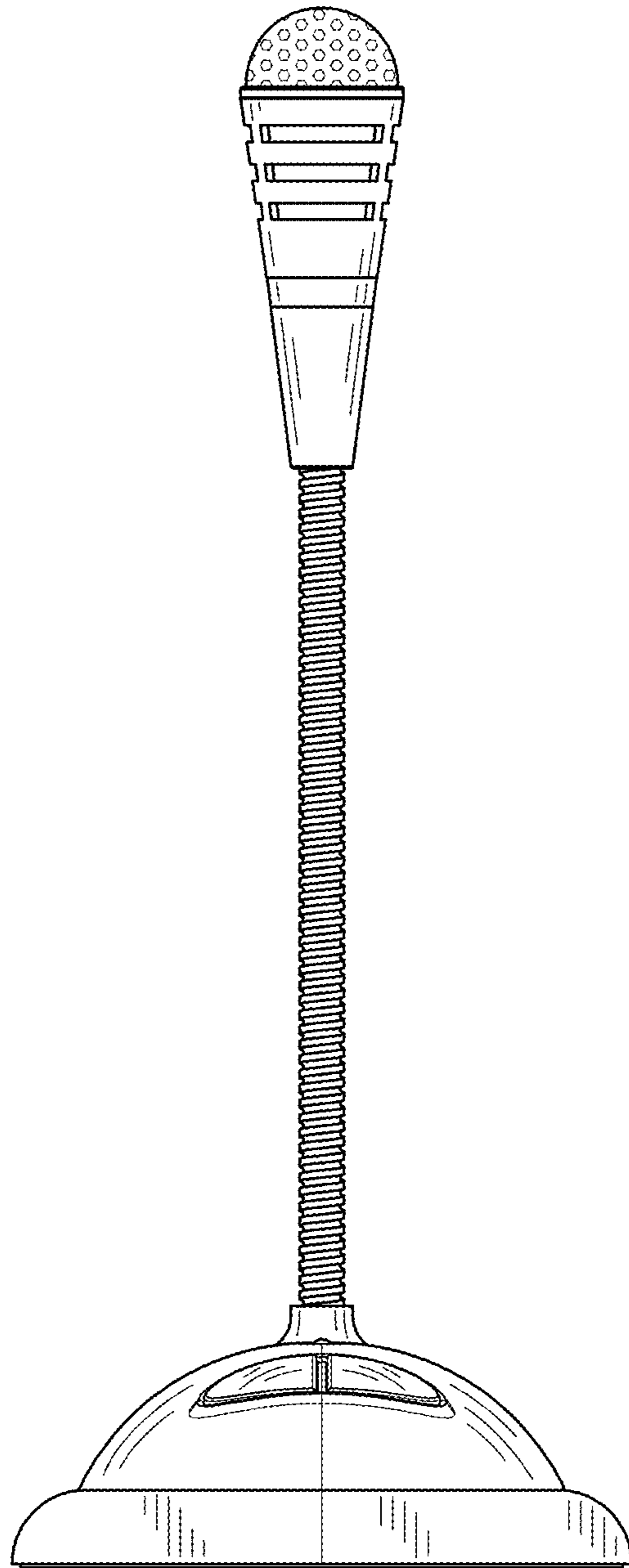


Fig. 2

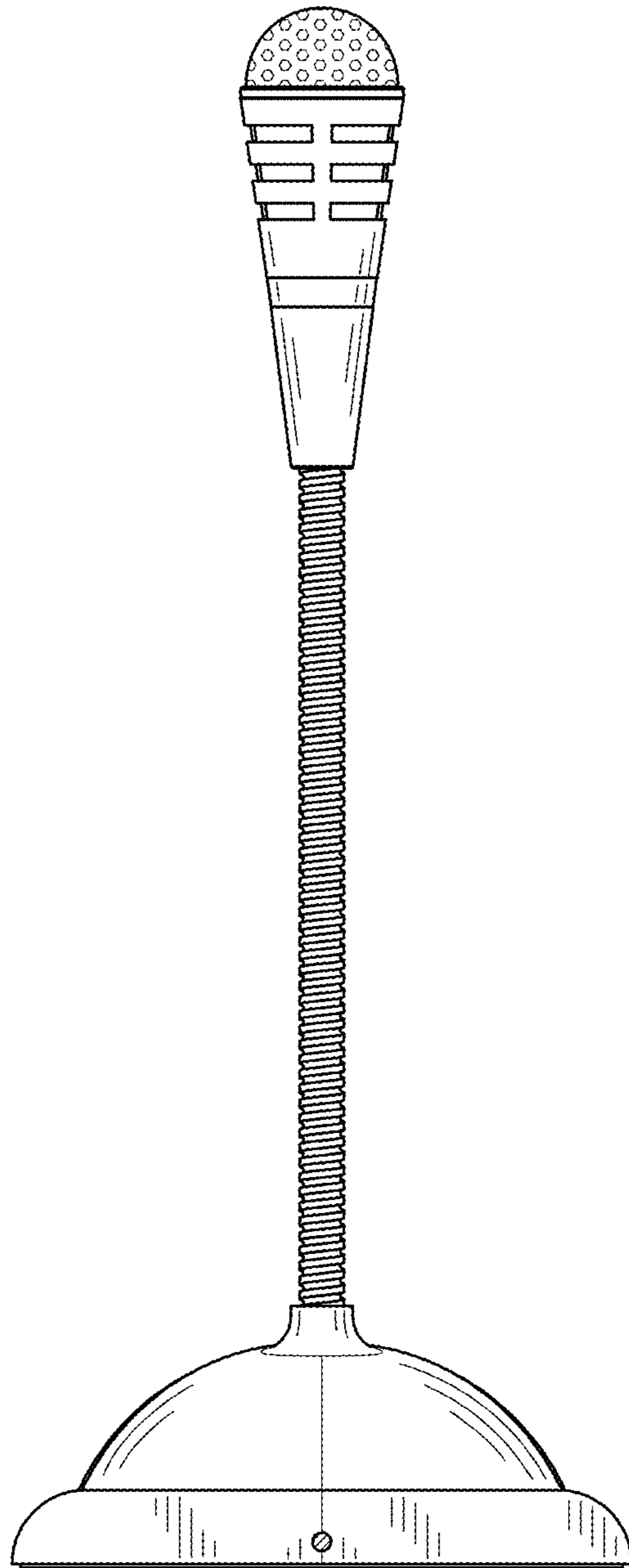


Fig. 3

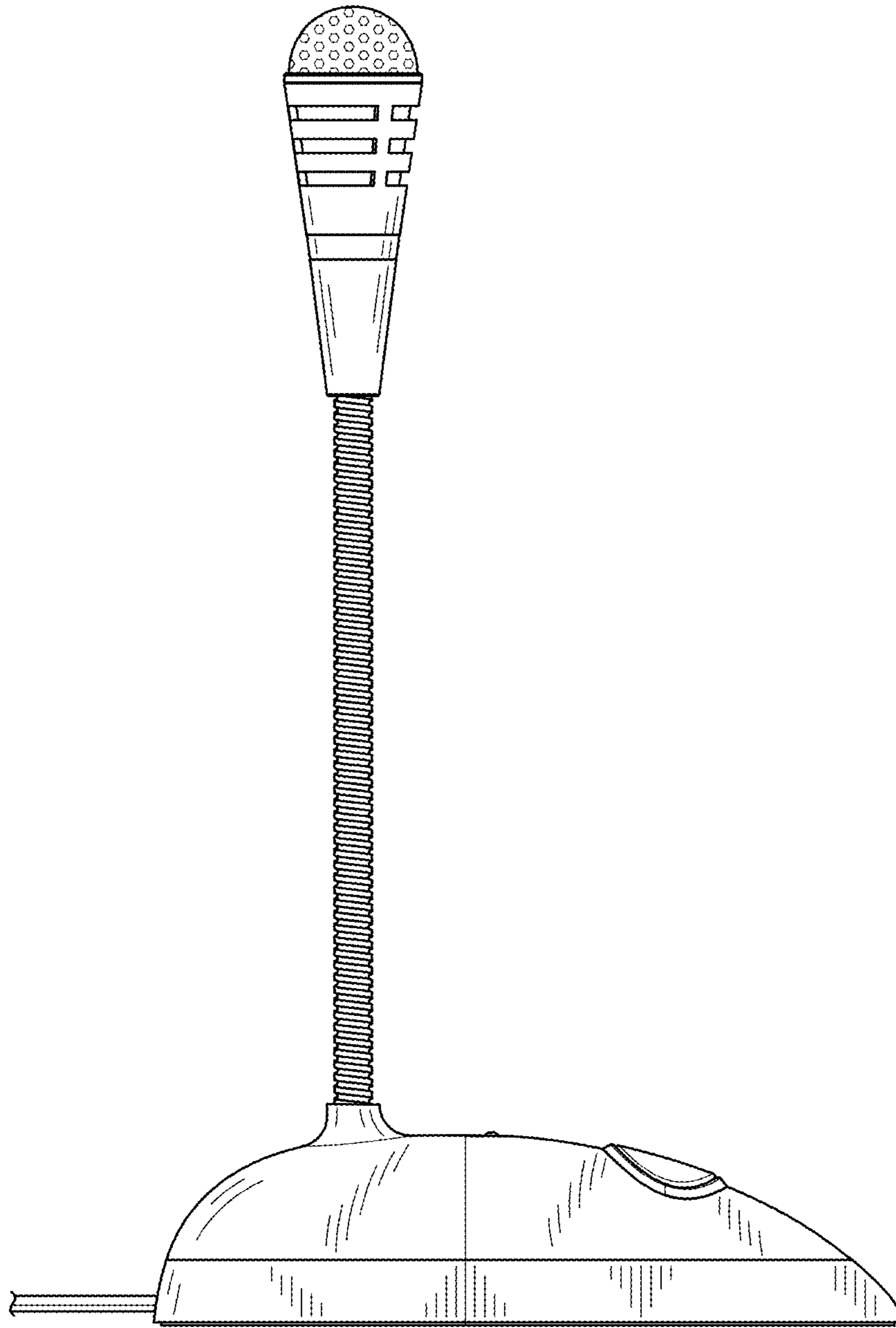


Fig. 4

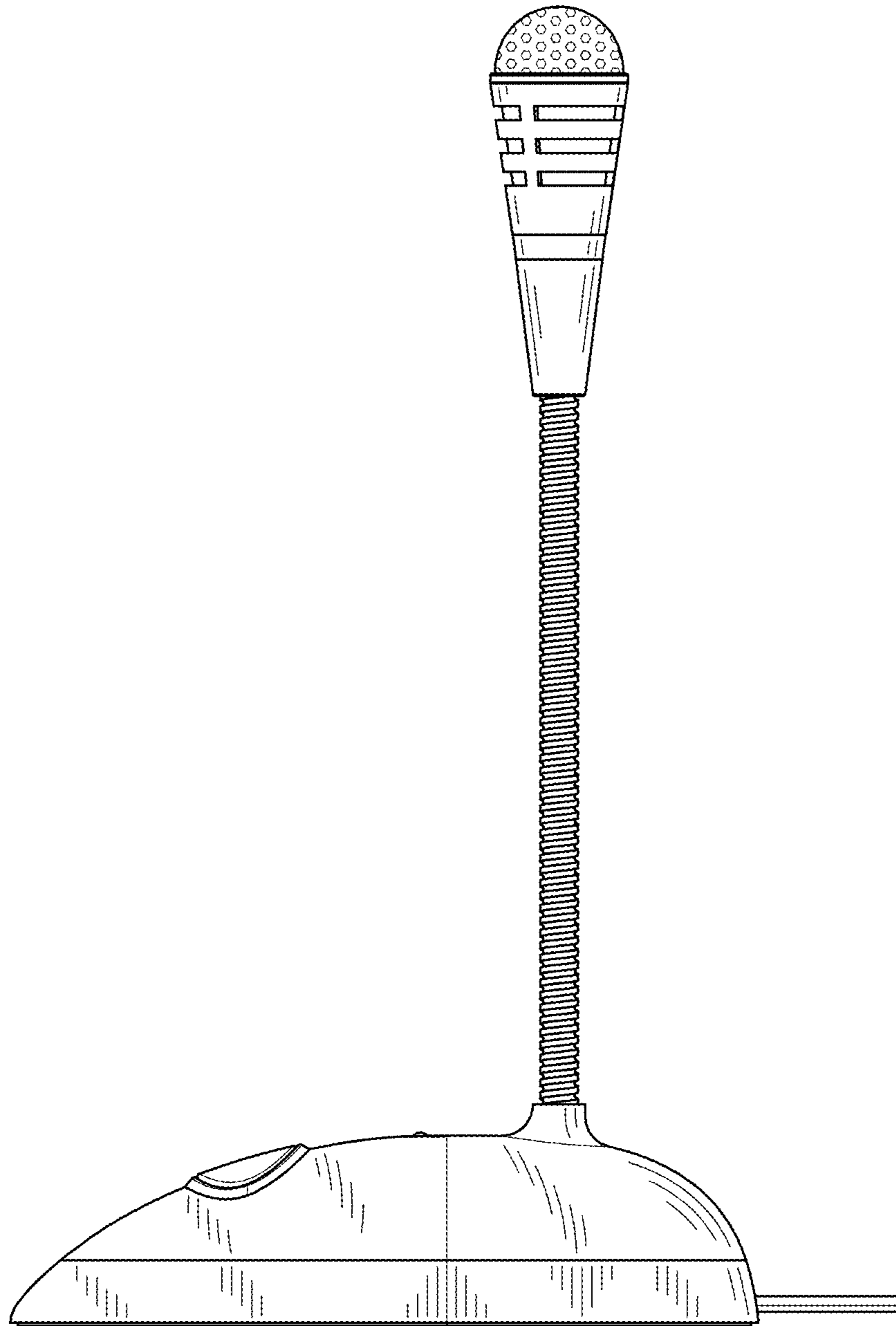


Fig. 5

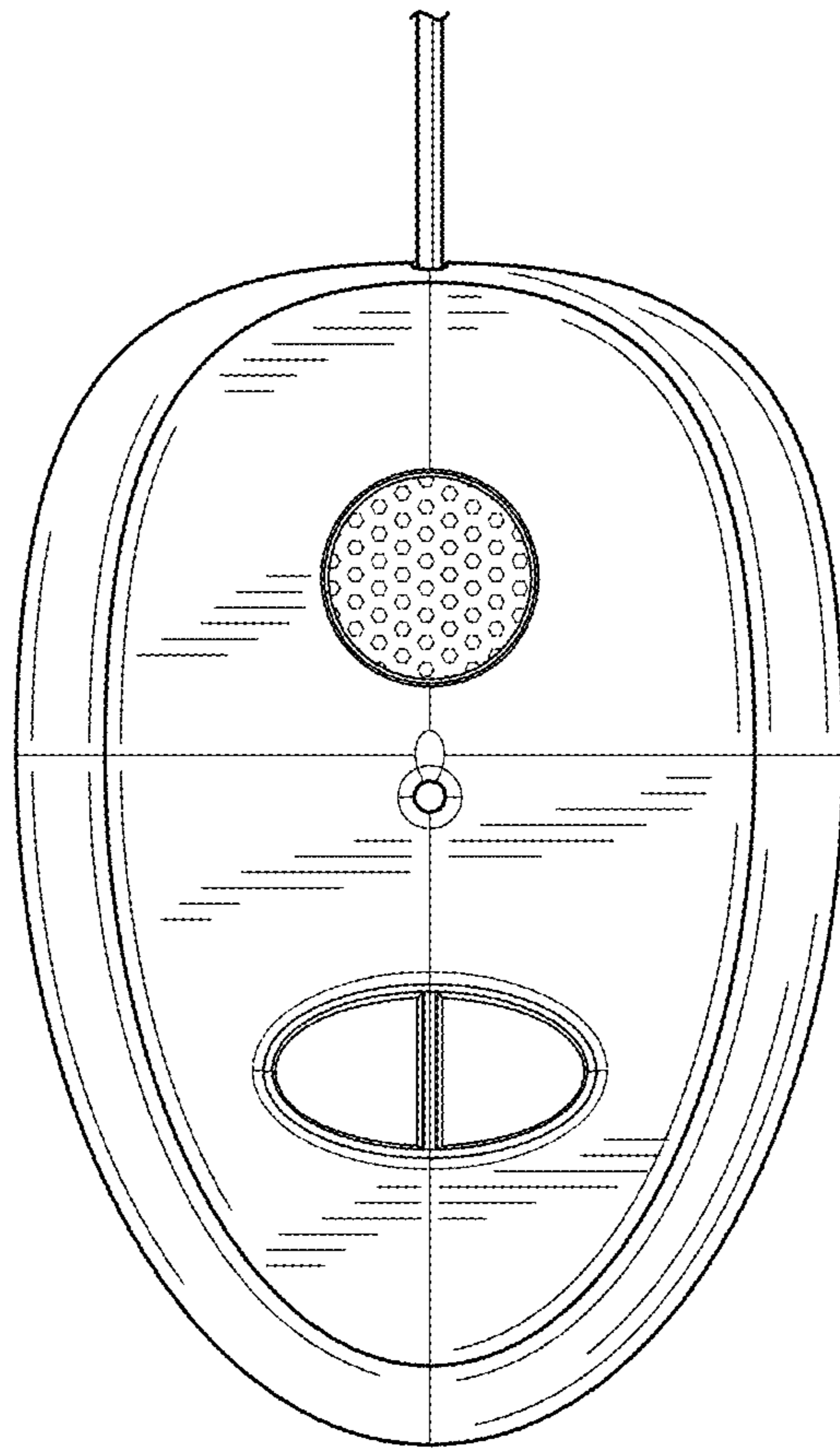


Fig. 6

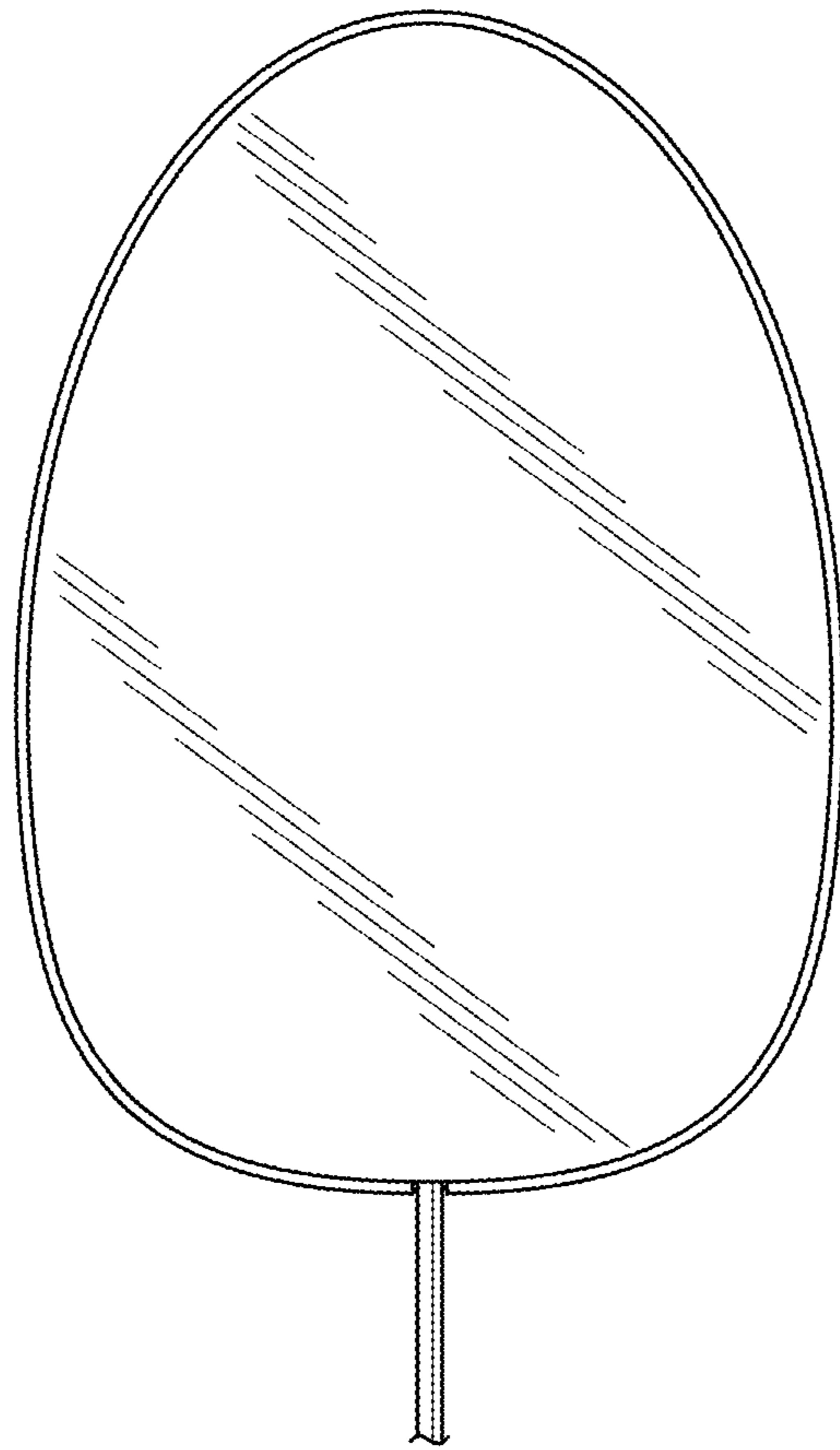


Fig. 7