



US00D884684S

(12) **United States Design Patent**
Chen

(10) **Patent No.:** **US D884,684 S**

(45) **Date of Patent:** **** May 19, 2020**

(54) **MINIATURE MICROPHONE**

(71) Applicant: **Ching-Wen Chen**, Taipei (TW)

(72) Inventor: **Ching-Wen Chen**, Taipei (TW)

(**) Term: **15 Years**

(21) Appl. No.: **29/663,949**

(22) Filed: **Sep. 20, 2018**

(51) **LOC (12) Cl.** **14-01**

(52) **U.S. Cl.**
USPC **D14/226**

(58) **Field of Classification Search**
USPC D14/221, 225, 226, 227, 228, 229, 150,
D14/154, 155, 158, 160, 172, 192, 203.5;
D21/513

CPC H04R 19/04; H04R 19/00; H04R 1/406;
H04R 1/08; H04R 1/04; H04R 1/326;
H04R 29/004; H04R 2410/00; H04R
2410/01; H04R 2410/03; H04R 2410/05;
H04R 2410/07; H04R 2420/07; H04R
17/02

See application file for complete search history.

(56) **References Cited**

U.S. PATENT DOCUMENTS

D413,602 S * 9/1999 Chen D14/227
D489,057 S * 4/2004 Obata D14/225

D548,729 S * 8/2007 Miller D14/226
D588,584 S * 3/2009 Park D14/226
D620,482 S * 7/2010 Chen D14/225
7,760,896 B2 * 7/2010 Medveczky H04R 1/08
381/189
D656,924 S * 4/2012 Mehlsen D14/226
D719,553 S * 12/2014 Noto D14/226
D736,188 S * 8/2015 Cavero D14/225

* cited by examiner

Primary Examiner — Keli L Hill

(74) *Attorney, Agent, or Firm* — Pro-Techt International Services; Ian Oglesby

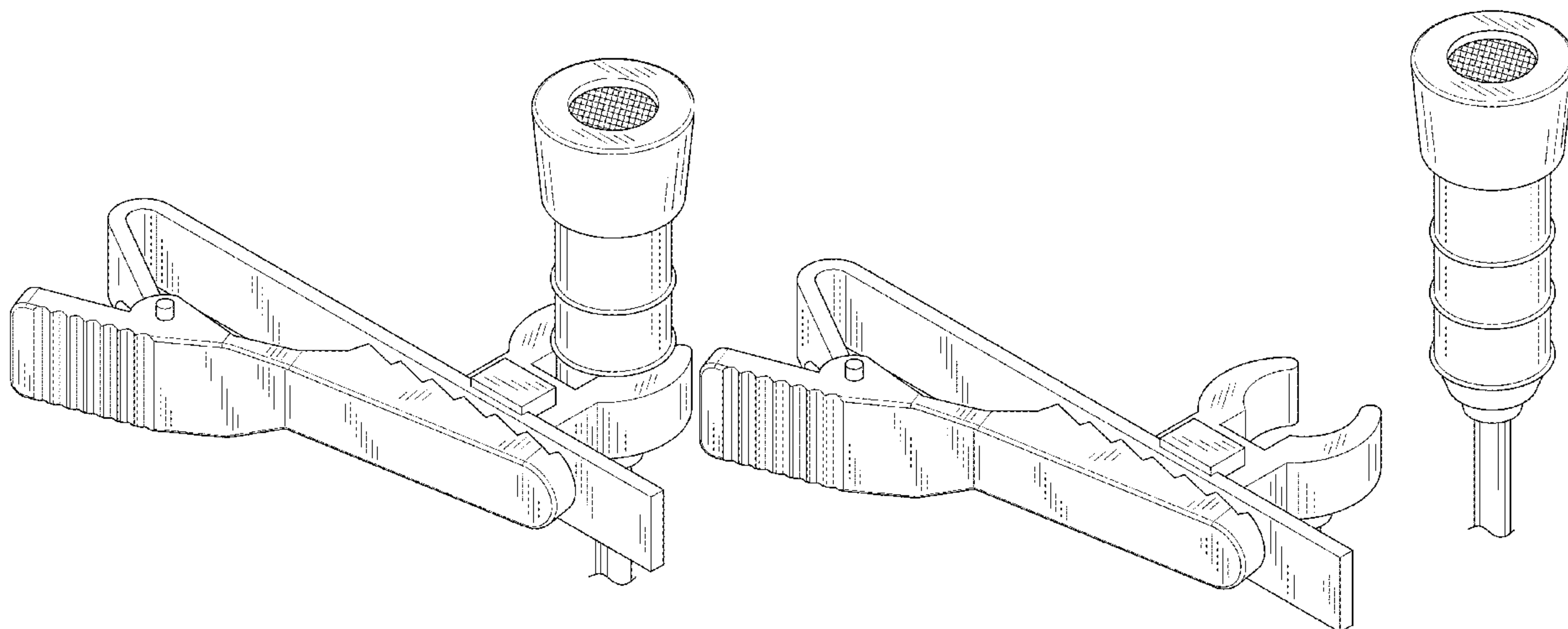
(57) **CLAIM**

The ornamental design for a miniature microphone, as shown and described.

DESCRIPTION

FIG. 1 is a top perspective view of a miniature microphone, showing my new design;
FIG. 2 is a front elevation view thereof;
FIG. 3 is a rear elevation view thereof;
FIG. 4 is a left side elevation view thereof;
FIG. 5 is a right side elevation view thereof;
FIG. 6 is a top plan view thereof;
FIG. 7 is a bottom plan view thereof; and,
FIG. 8 is an exploded view thereof.

1 Claim, 8 Drawing Sheets



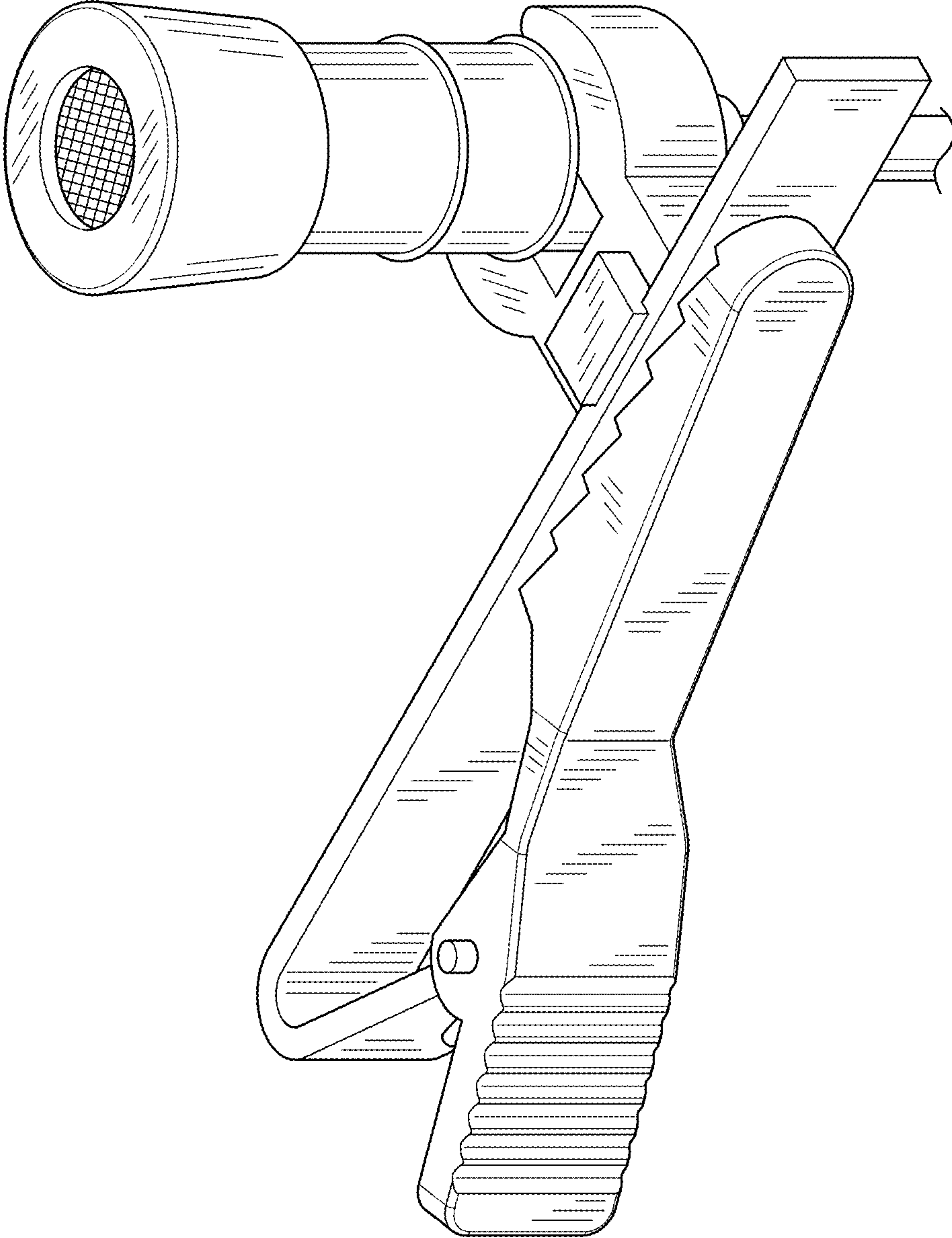


Fig. 1

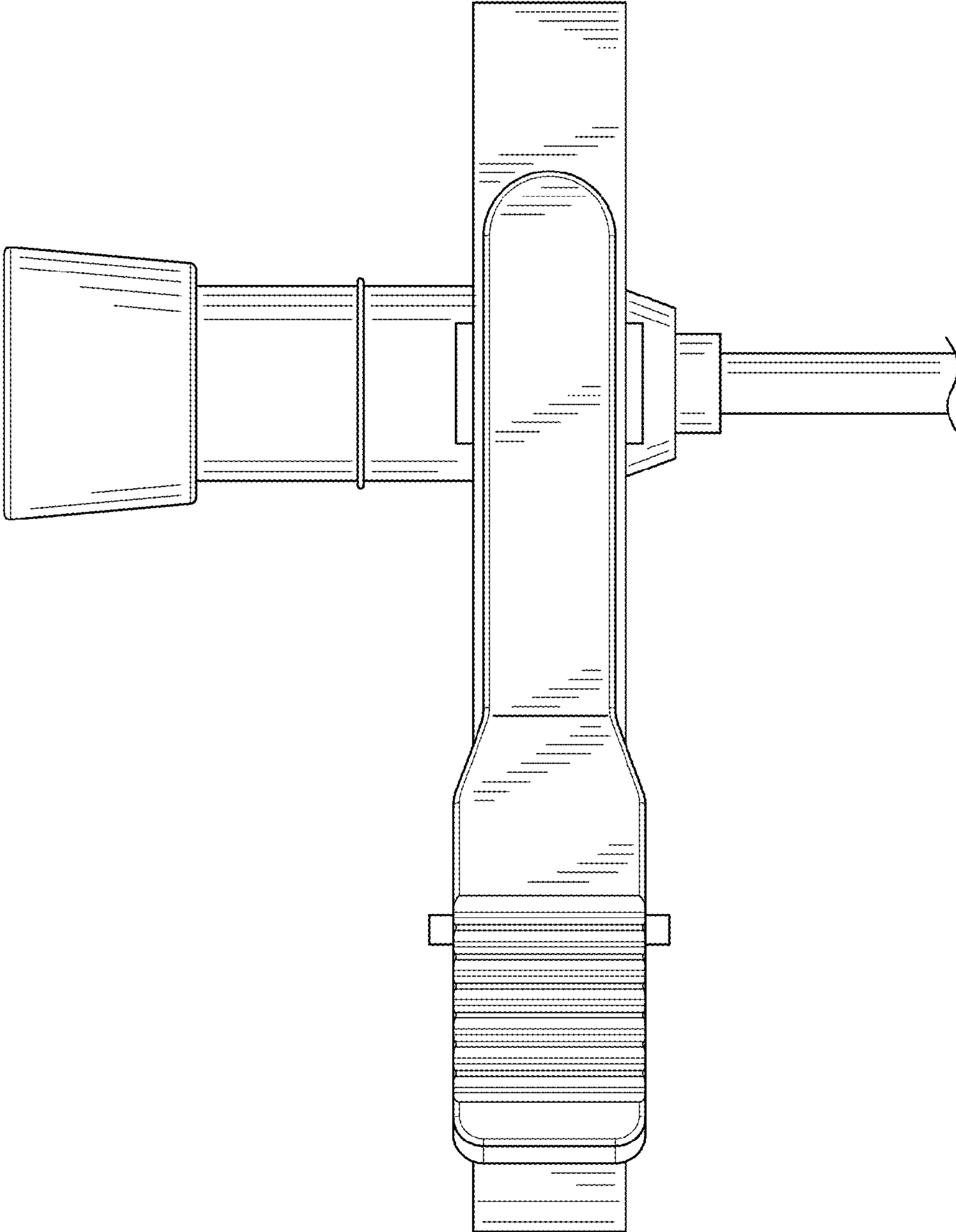


Fig. 2

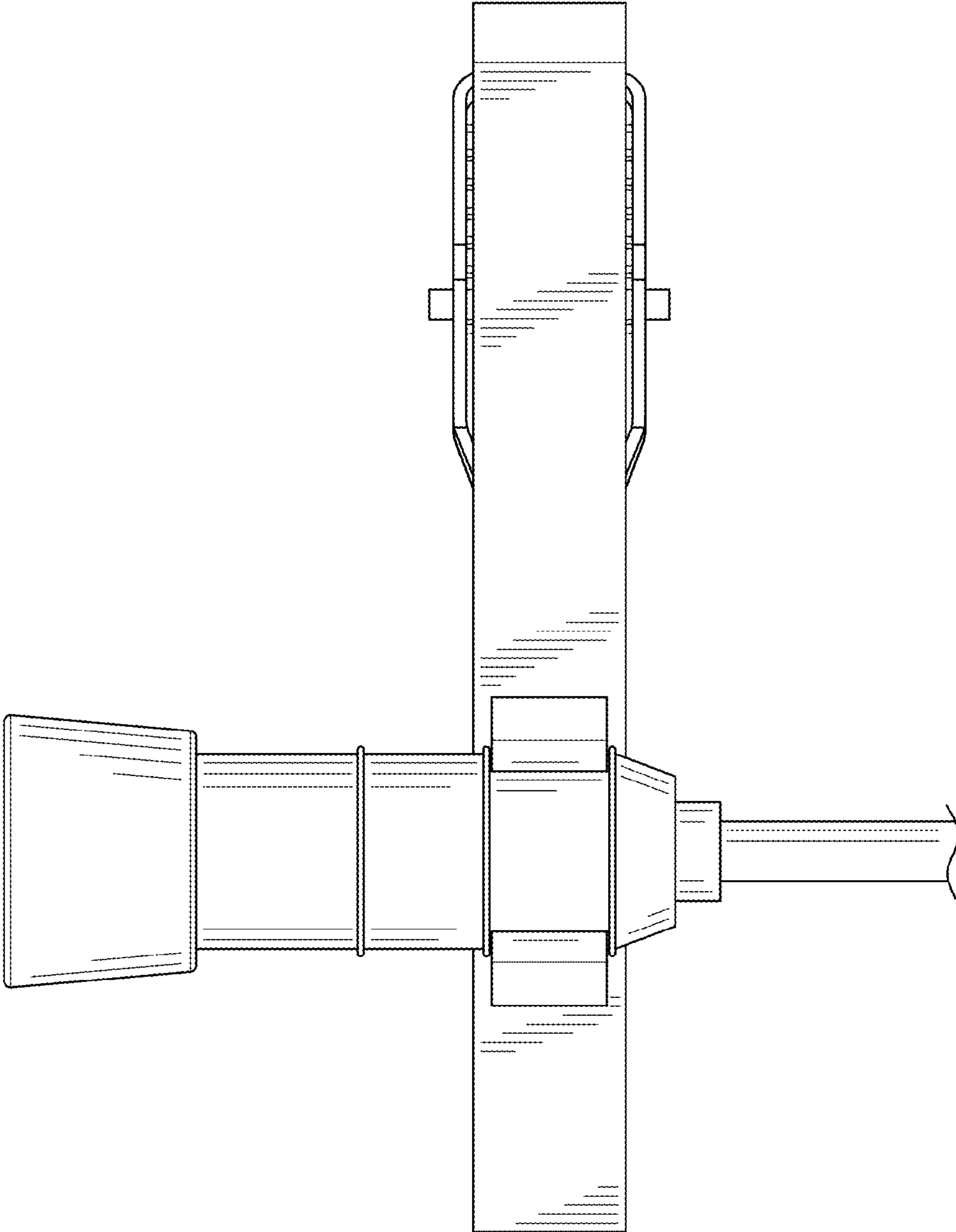


Fig. 3

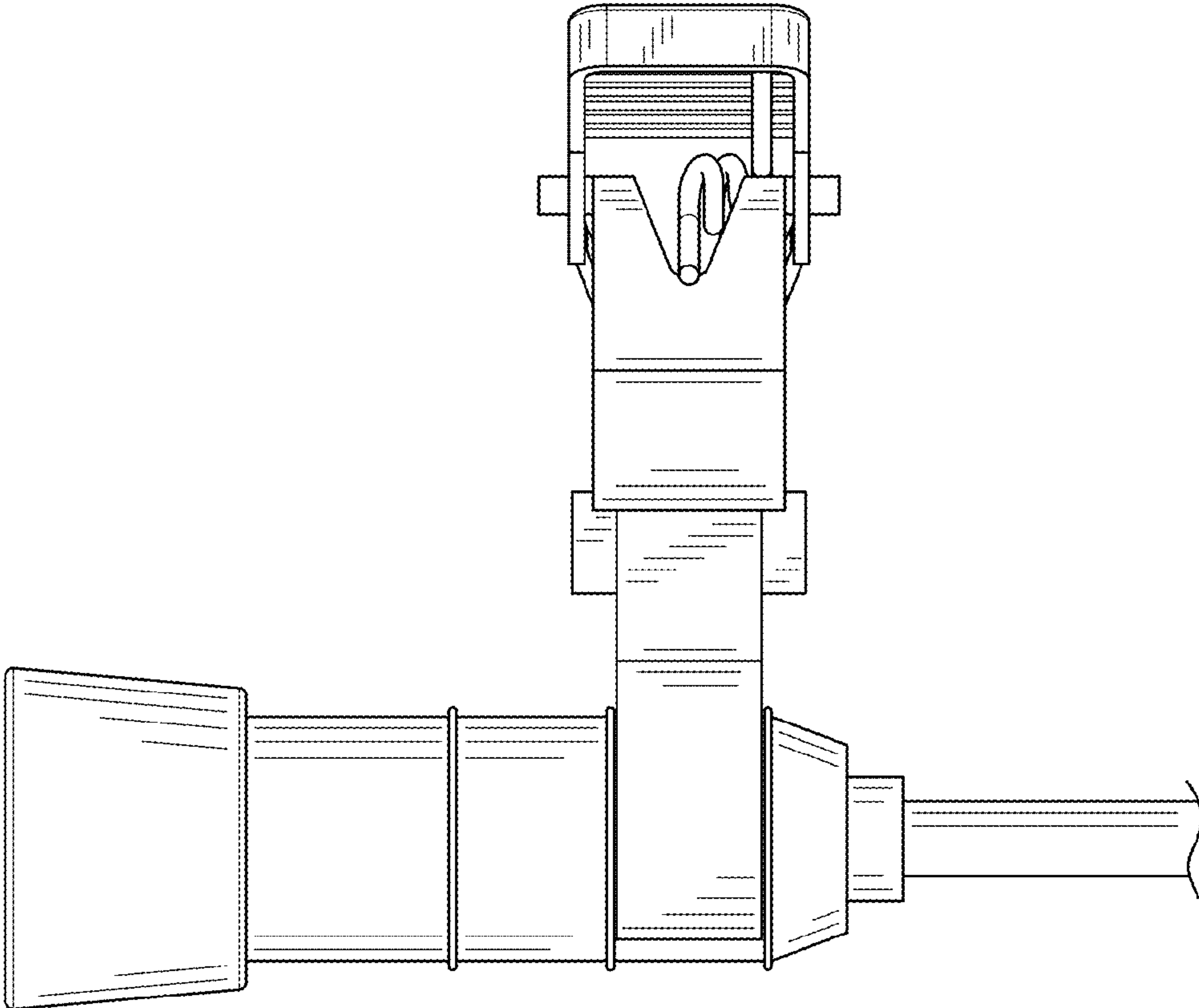


Fig. 4

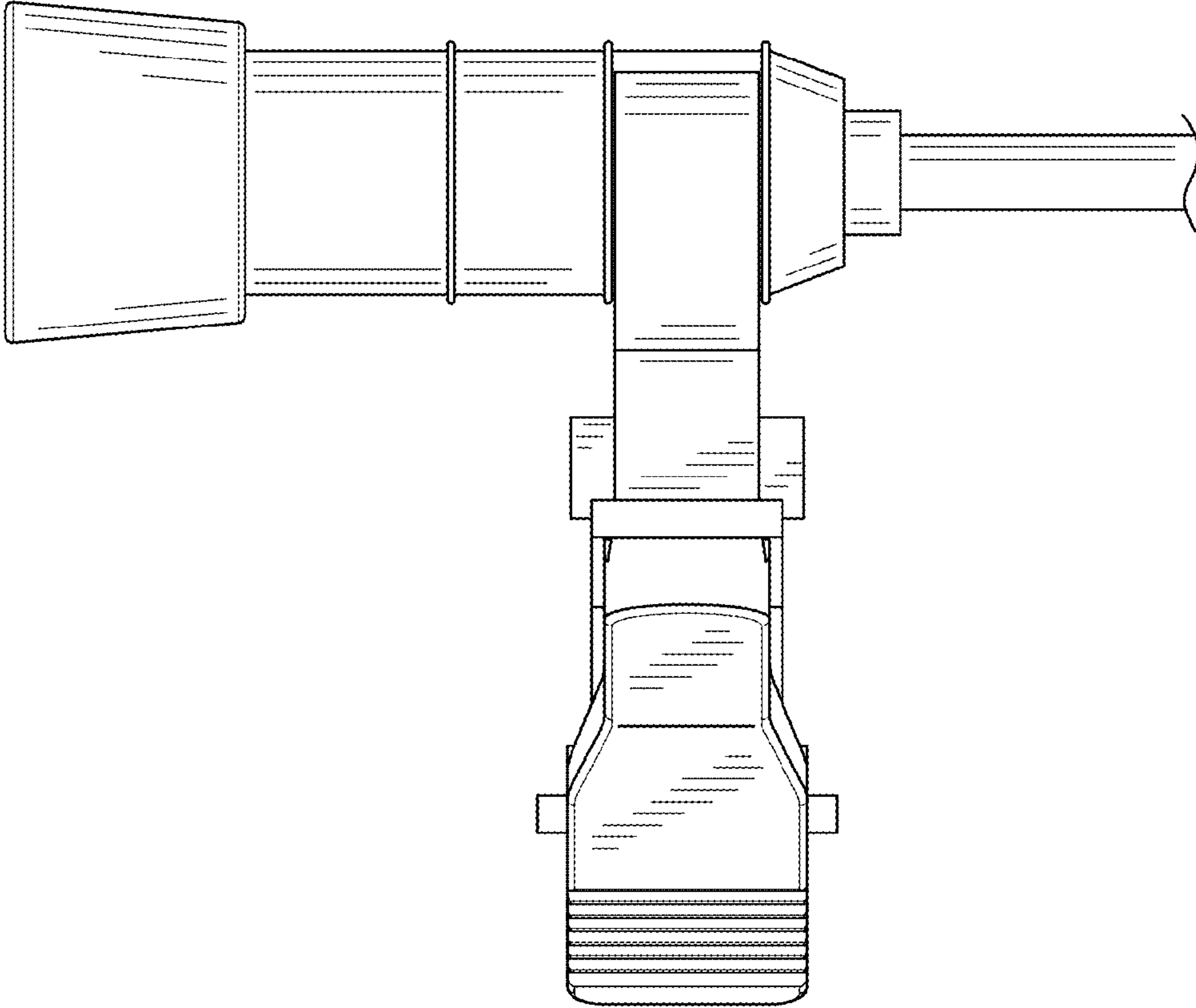


Fig. 5

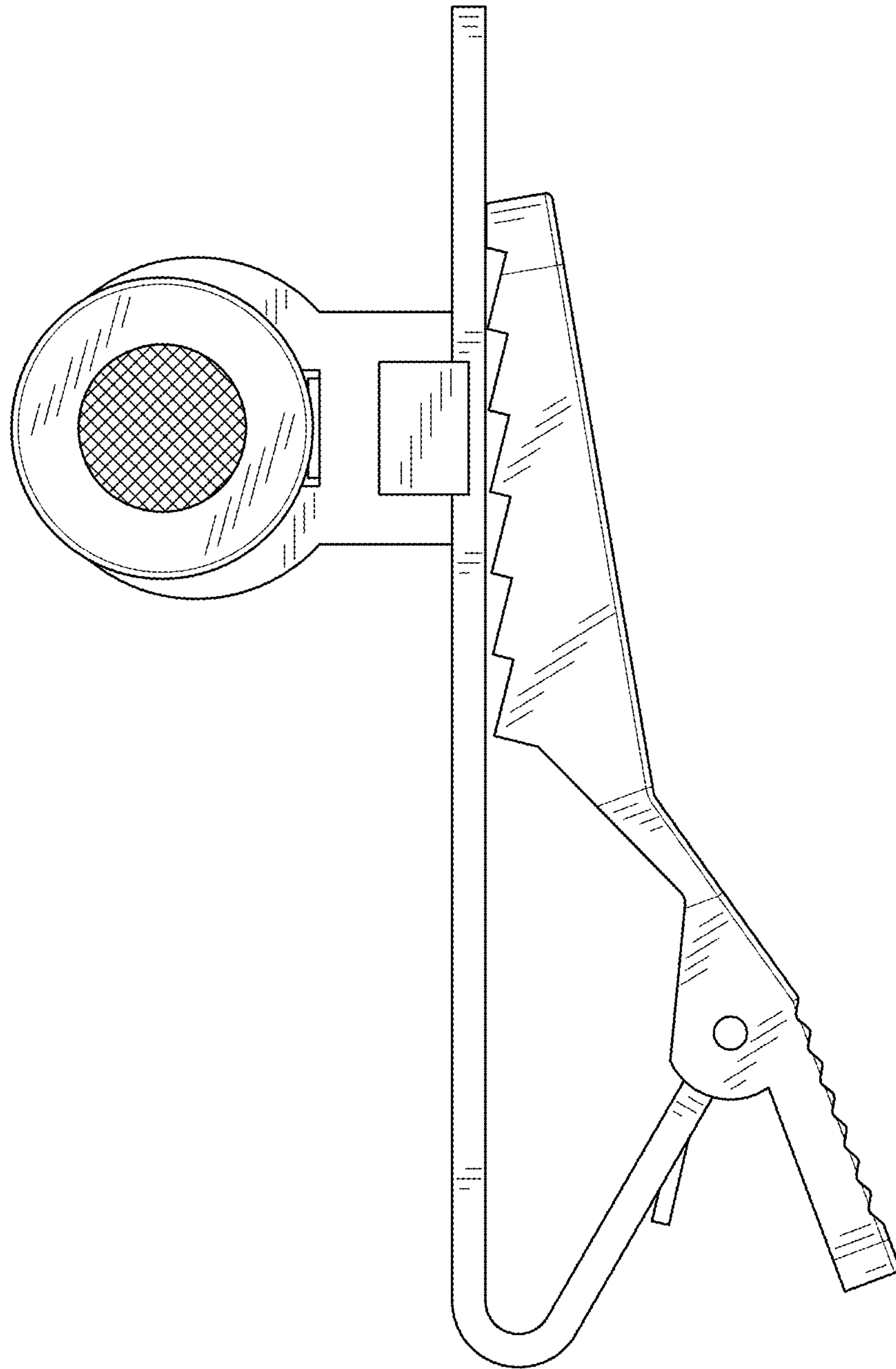


Fig. 6

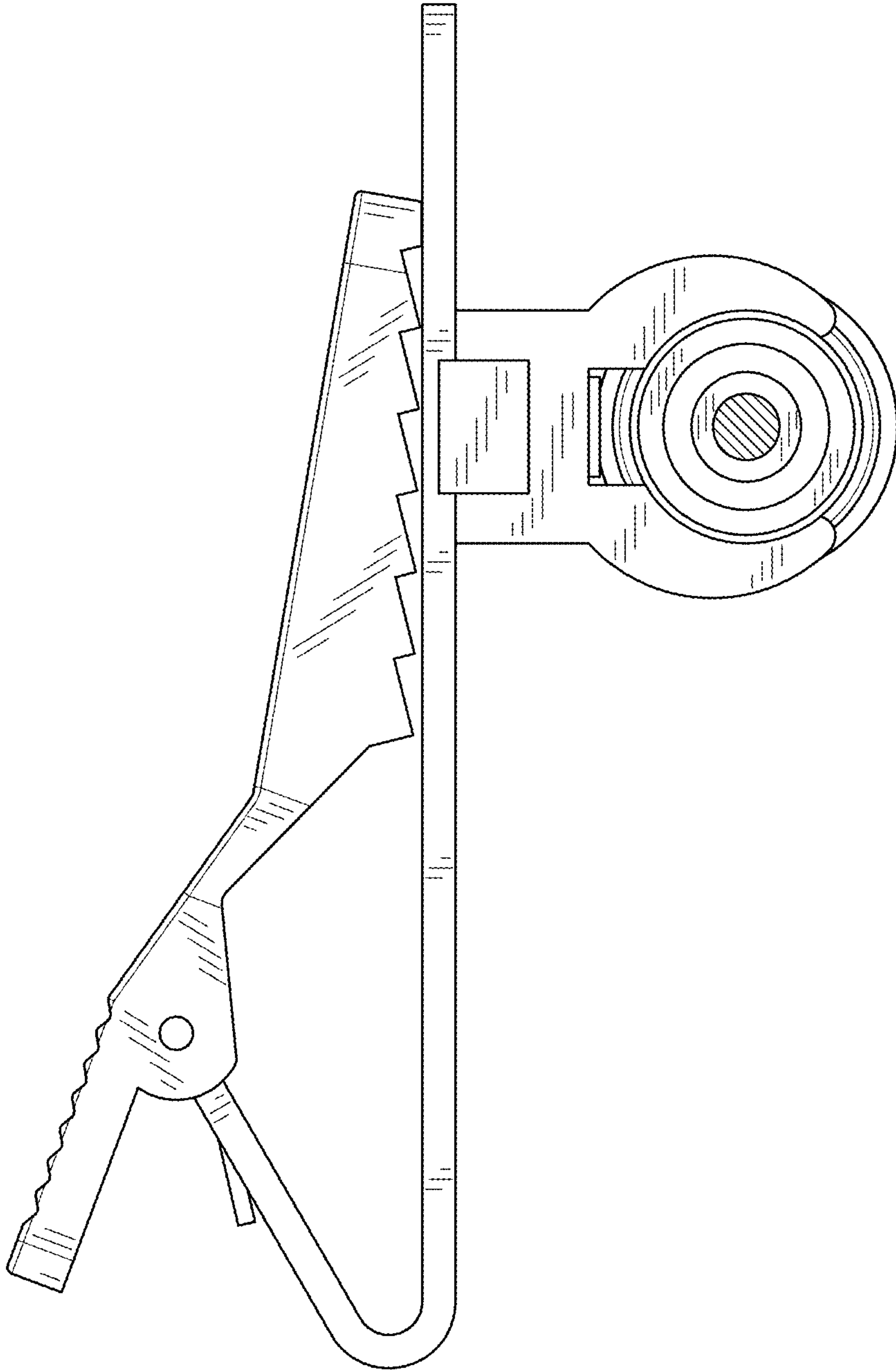


Fig. 7

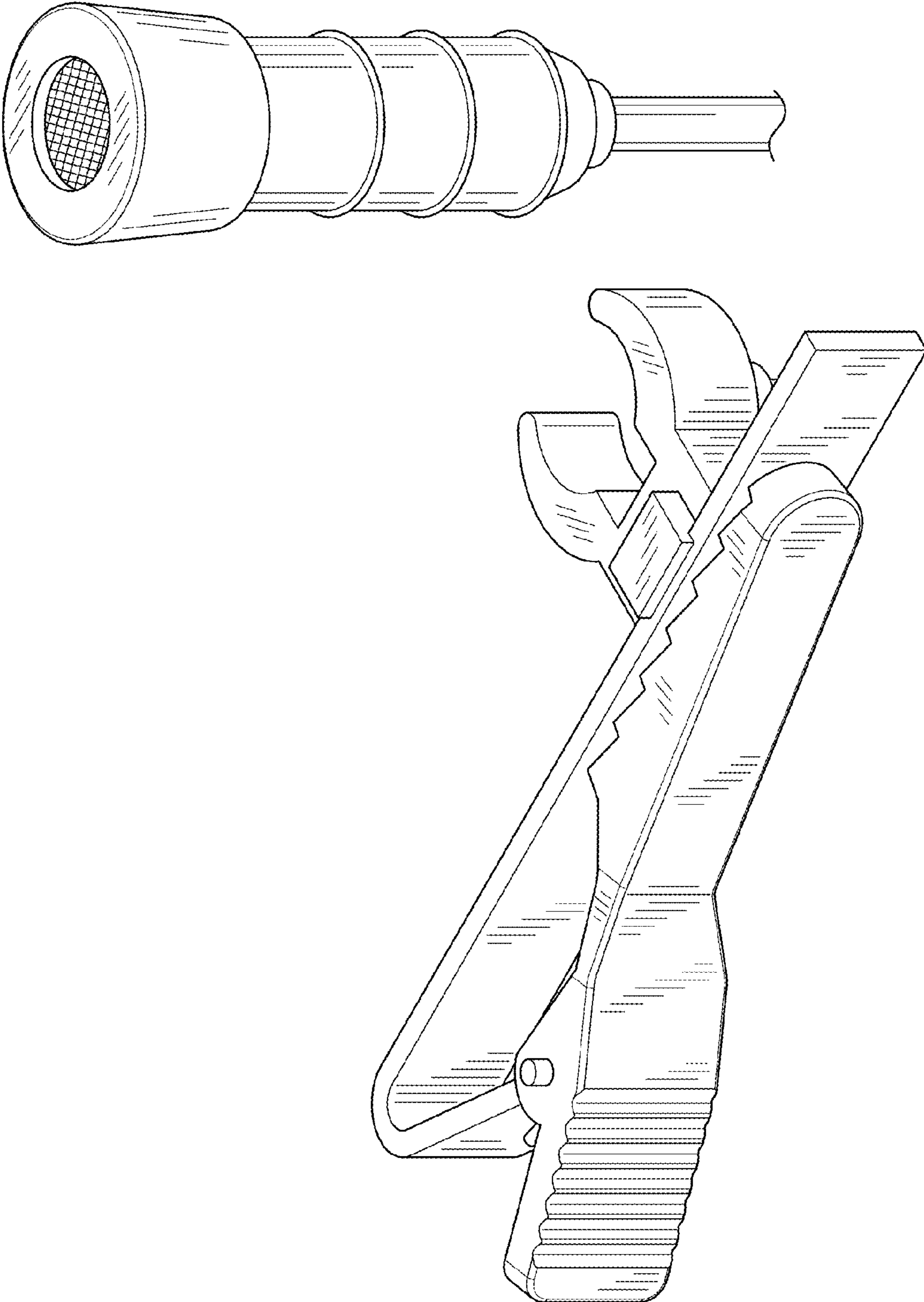


Fig. 8