



US00D884682S

(12) **United States Design Patent** (10) **Patent No.:** **US D884,682 S**  
**Du** (45) **Date of Patent:** **\*\* May 19, 2020**

(54) **EARPHONES**

(71) Applicant: **DONGGUAN PINMI ELECTRONIC TECHNOLOGY CO., LTD**, Dongguan (CN)

(72) Inventor: **Zhanyuan Du**, Kaifeng (CN)

(73) Assignee: **DONGGUAN PINMI ELECTRONIC TECHNOLOGY CO., LTD**, Dongguan (CN)

(\*\*) Term: **15 Years**

(21) Appl. No.: **29/721,231**

(22) Filed: **Jan. 18, 2020**

(51) **LOC (12) Cl.** ..... **14-01**

(52) **U.S. Cl.**  
USPC ..... **D14/223**

(58) **Field of Classification Search**  
USPC ..... D14/223, 205; D24/174; 381/380;  
455/90.3, 575.1, 569.1

CPC ..... H04R 1/10; H04R 25/00; H04R 1/1025;  
H04R 1/1066; H04R 1/1016; H04R  
5/033; H04R 5/0335; B65D 25/10

See application file for complete search history.

(56) **References Cited**

**U.S. PATENT DOCUMENTS**

D208,784 S	*	10/1967	Sanzone	.....	D24/174
D281,033 S	*	10/1985	Mohri	.....	D3/295
D313,753 S	*	1/1991	Nagasaka	.....	D9/415
D333,560 S	*	3/1993	Miyashita	.....	D3/218
D333,917 S	*	3/1993	Daido	.....	D3/218
D367,113 S	*	2/1996	Weeks	.....	D24/174
D455,835 S	*	4/2002	Anderson	.....	D24/174
D479,016 S	*	8/2003	Sgariboldi	.....	D28/78
D529,288 S	*	10/2006	Ham	.....	D3/294
D531,025 S	*	10/2006	Tanner	.....	D9/426
D553,077 S	*	10/2007	Kim	.....	D13/108
D561,471 S	*	2/2008	Nakamura	.....	D3/294

D604,501 S	*	11/2009	Lee	.....	D3/201
D621,256 S	*	8/2010	Andre	.....	D9/432
D627,337 S		11/2010	Wu et al.		
D628,990 S	*	12/2010	Pedersen	.....	D14/223
D635,558 S	*	4/2011	Zheng	.....	D14/206
D668,244 S	*	10/2012	Matsumura	.....	D14/223
D673,430 S	*	1/2013	Glassman	.....	D3/201
D686,065 S	*	7/2013	Kuo	.....	D9/432
D697,058 S	*	1/2014	Thompson	.....	D14/205
D698,026 S	*	1/2014	Kuwata	.....	D24/174
D706,643 S	*	6/2014	Akana	.....	D9/432
D709,758 S	*	7/2014	Burdock-Latter	.....	D9/418
D712,279 S	*	9/2014	Akana	.....	D9/721
D716,770 S	*	11/2014	Bonahoom	.....	D14/223
D722,264 S	*	2/2015	Saideh	.....	D9/418

(Continued)

**FOREIGN PATENT DOCUMENTS**

EM 007525092-0002 \* 1/2020

*Primary Examiner* — Paula Allen Greene

(57) **CLAIM**

The ornamental design for earphones, as shown and described.

**DESCRIPTION**

FIG. 1 is a perspective view of earphones showing my new design;

FIG. 2 is another perspective view thereof;

FIG. 3 is a front elevational view thereof;

FIG. 4 is a rear elevational view thereof;

FIG. 5 is a left side elevational view thereof;

FIG. 6 is a right side elevational view thereof;

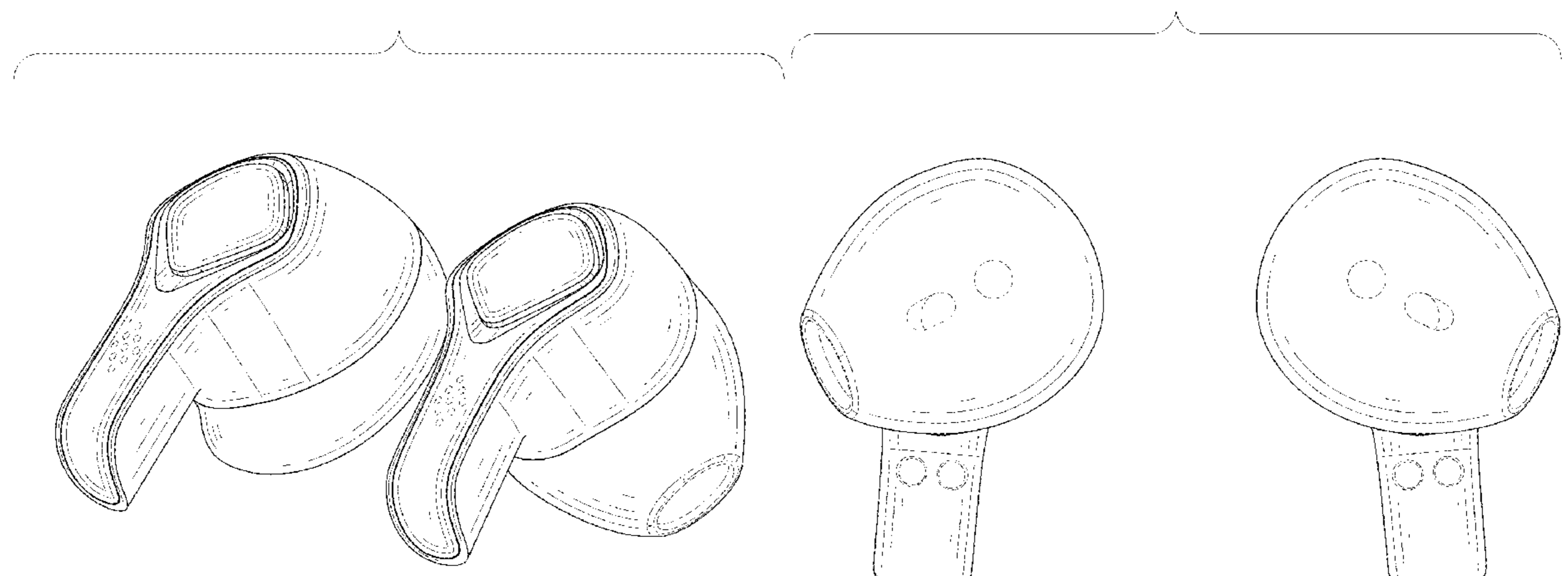
FIG. 7 is a top plan view thereof;

FIG. 8 is a bottom plan view thereof; and,

FIG. 9 is a perspective view of the earphones where the earphones are received in a case.

The broken lines in the drawings depict portions of the earphones that form no part of the claimed design.

**1 Claim, 9 Drawing Sheets**



(56)

References Cited

U.S. PATENT DOCUMENTS

D723,792 S \* 3/2015 Anderson ..... D3/201  
 D731,781 S \* 6/2015 Behar ..... D3/201  
 D734,022 S \* 7/2015 Harper ..... D3/201  
 D735,169 S \* 7/2015 Shieh ..... D14/223  
 D744,456 S \* 12/2015 Pedersen ..... D14/223  
 9,445,631 B1 \* 9/2016 Patel ..... B65D 43/0212  
 D772,572 S \* 11/2016 Palmborg ..... D3/201  
 D775,960 S \* 1/2017 Erdwiens ..... D9/521  
 D777,149 S \* 1/2017 Bonahoom ..... D14/223  
 D778,156 S \* 2/2017 Follett ..... D9/432  
 D786,834 S \* 5/2017 Samrelius ..... D14/223  
 D791,479 S \* 7/2017 Son ..... D3/298  
 D796,968 S \* 9/2017 Akana ..... D14/223  
 D799,316 S \* 10/2017 Thain ..... D9/415  
 D800,097 S \* 10/2017 Chen ..... D14/223  
 D806,388 S \* 1/2018 Akana ..... D3/294  
 D806,879 S \* 1/2018 Horbinski ..... D24/174  
 D813,849 S \* 3/2018 Andreen ..... D14/223  
 D817,309 S \* 5/2018 Czaniecki ..... D14/223  
 D817,640 S \* 5/2018 Dang ..... D3/294  
 D818,268 S \* 5/2018 Akana ..... D3/294  
 D821,970 S \* 7/2018 Loermann ..... D13/107  
 D822,374 S \* 7/2018 Hung ..... D3/201  
 D832,240 S \* 10/2018 Birger ..... D14/223  
 D832,824 S \* 11/2018 Kim ..... D14/223  
 D833,420 S \* 11/2018 Lindenberger ..... D14/223  
 D834,301 S \* 11/2018 Poissant ..... D3/201  
 D838,480 S \* 1/2019 Son ..... D3/294

D841,626 S \* 2/2019 Tang ..... D14/223  
 D841,627 S \* 2/2019 Wen ..... D14/223  
 D843,354 S \* 3/2019 Kumano ..... D14/223  
 D845,932 S \* 4/2019 Lu ..... D14/223  
 D846,264 S \* 4/2019 Wu ..... D3/201  
 D847,125 S \* 4/2019 Akana ..... D14/223  
 D848,980 S \* 5/2019 Kim ..... D14/223  
 D848,982 S \* 5/2019 Kim ..... D14/223  
 D852,782 S \* 7/2019 Bergman ..... D14/223  
 D853,995 S \* 7/2019 Cai ..... D14/223  
 D861,647 S 10/2019 Chen  
 D864,165 S \* 10/2019 Roberts ..... D14/223  
 D864,167 S \* 10/2019 Wu ..... D14/223  
 D864,169 S \* 10/2019 Min ..... D14/223  
 D866,530 S \* 11/2019 Birger ..... D14/223  
 D869,445 S \* 12/2019 Hu ..... D14/223  
 D877,722 S \* 3/2020 Yang ..... D14/223  
 D878,337 S \* 3/2020 Yang ..... D14/223  
 2007/0256946 A1 \* 11/2007 Godshaw ..... B65D 25/10  
 206/320  
 2007/0272686 A1 \* 11/2007 Yu ..... A45C 11/00  
 220/4.02  
 2011/0155147 A1 \* 6/2011 McIntosh ..... A61F 11/08  
 128/864  
 2017/0026738 A1 \* 1/2017 Tang ..... H04R 1/1058  
 2018/0167713 A1 \* 6/2018 Chou ..... H04R 25/652  
 2019/0289383 A1 9/2019 Chawan et al.  
 2020/0068283 A1 \* 2/2020 Chou ..... H04R 1/1025  
 2020/0068285 A1 \* 2/2020 Dang ..... H04R 1/1016

\* cited by examiner

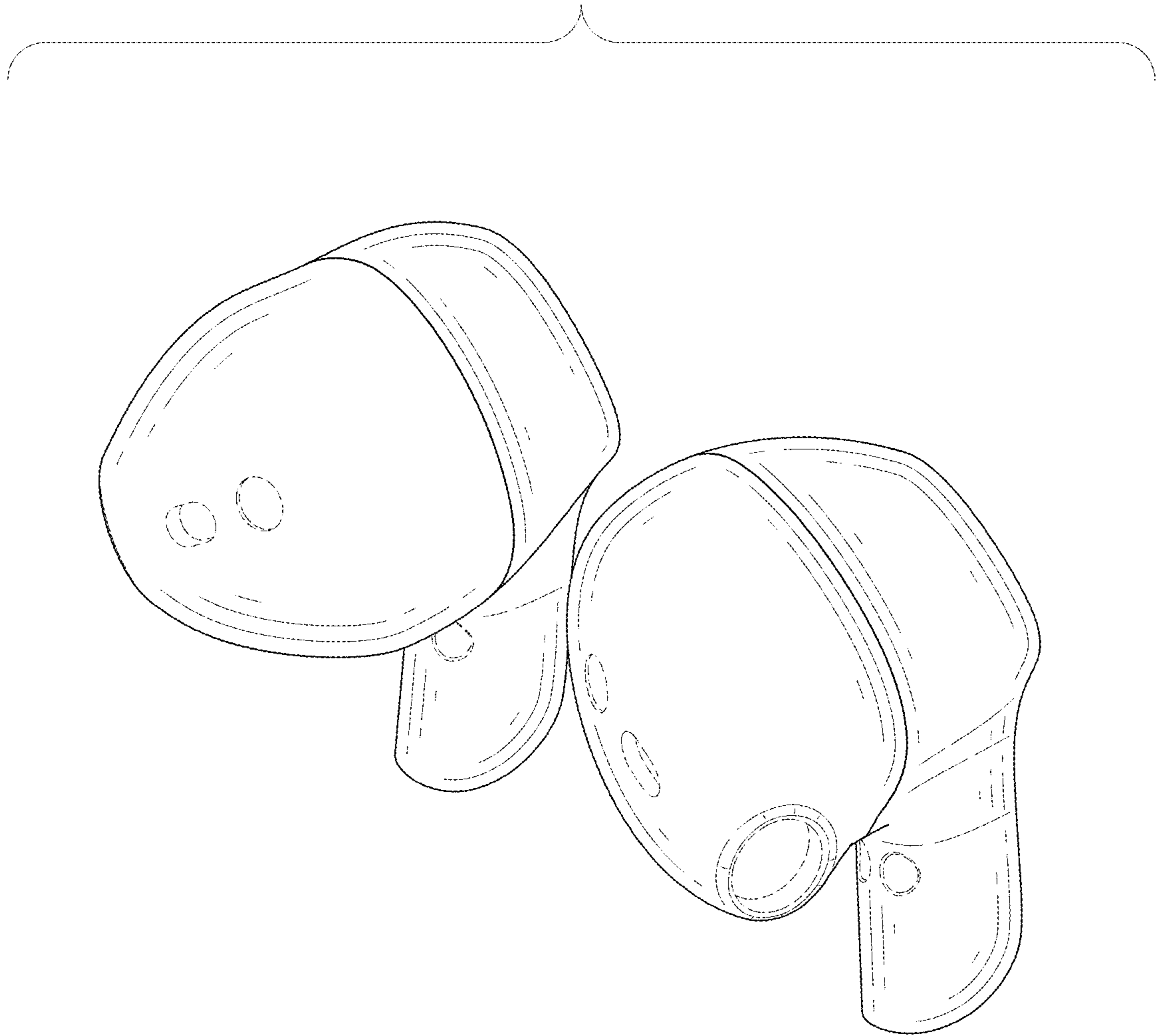


FIG. 1

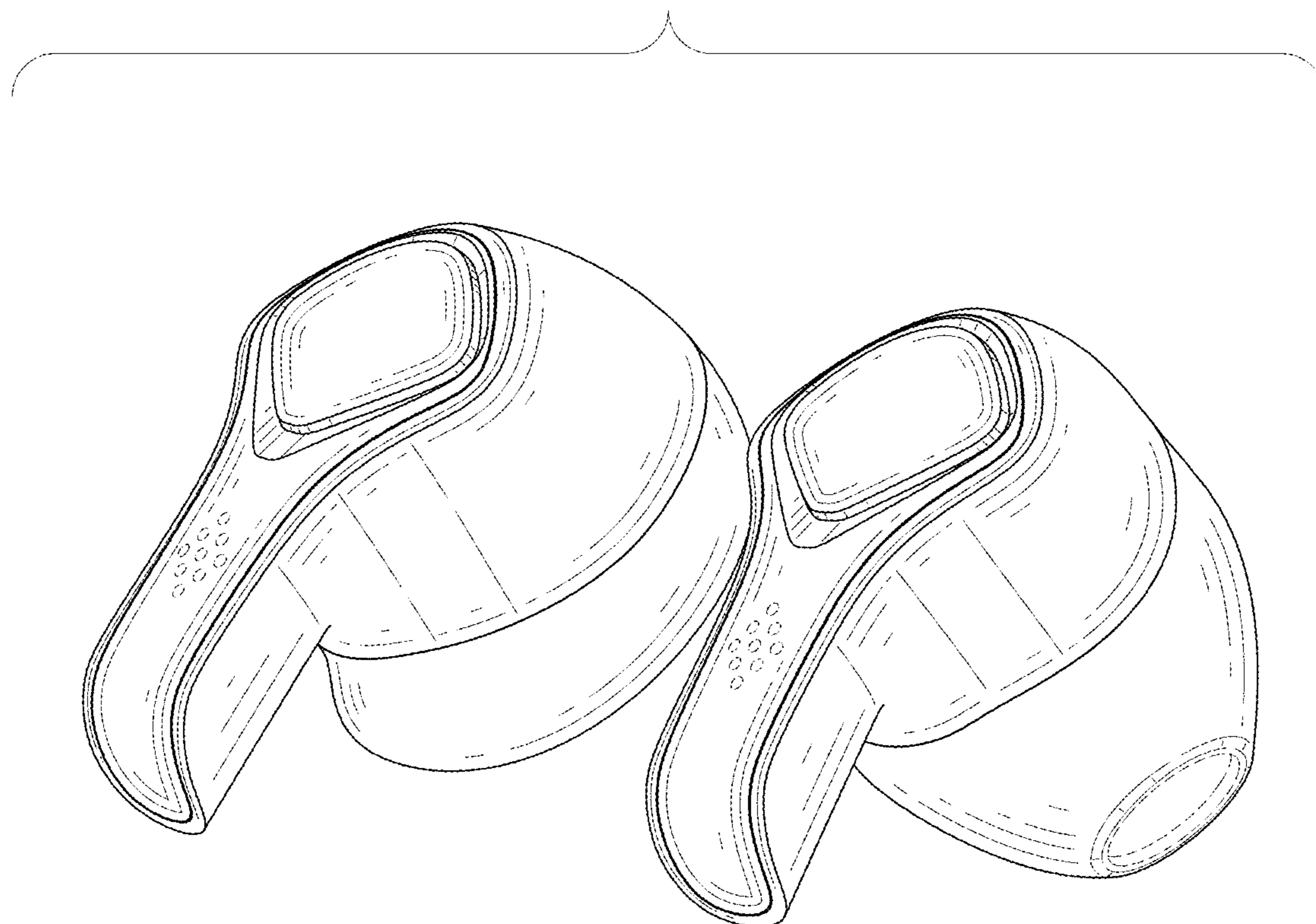


FIG. 2

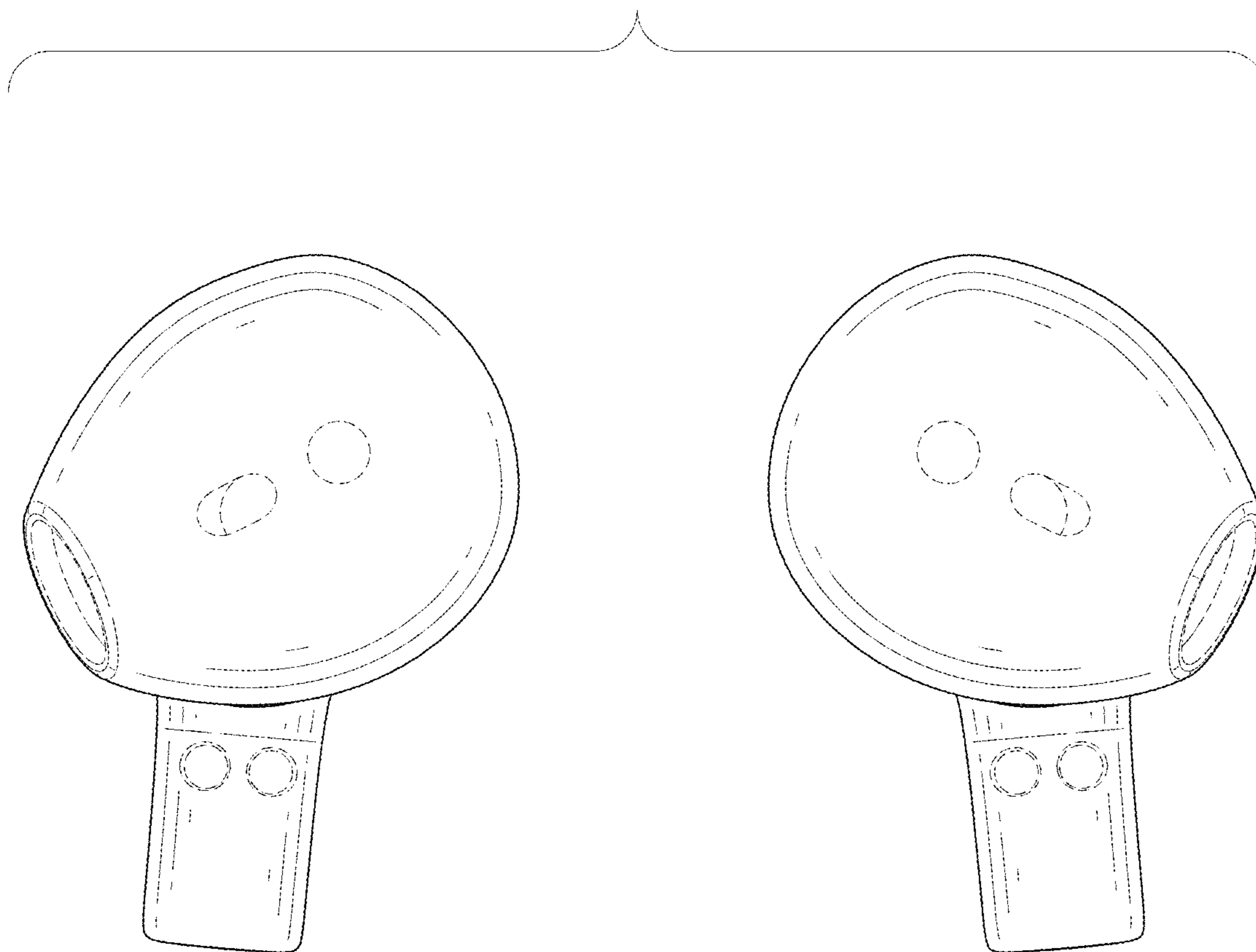


FIG. 3

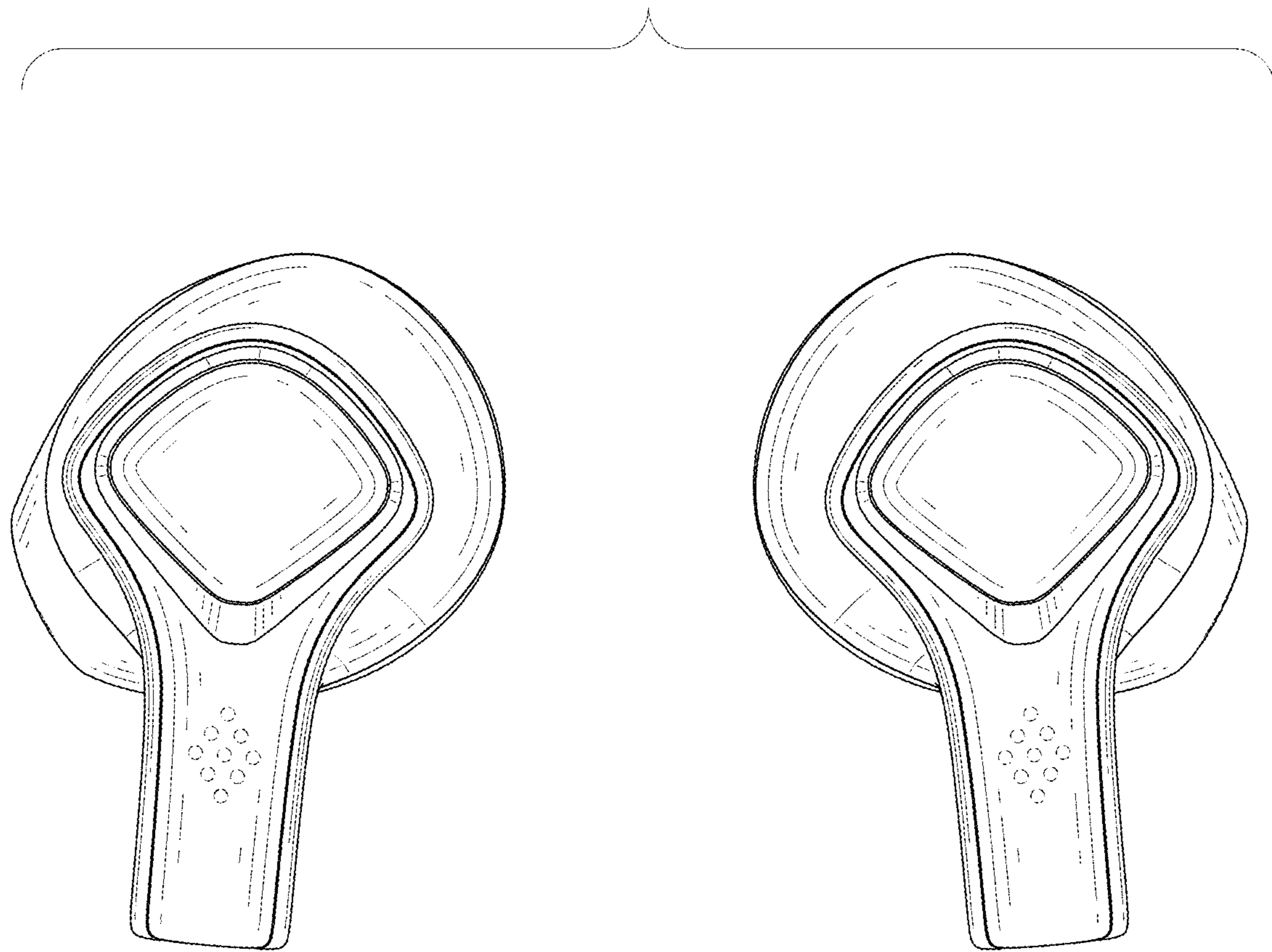


FIG. 4

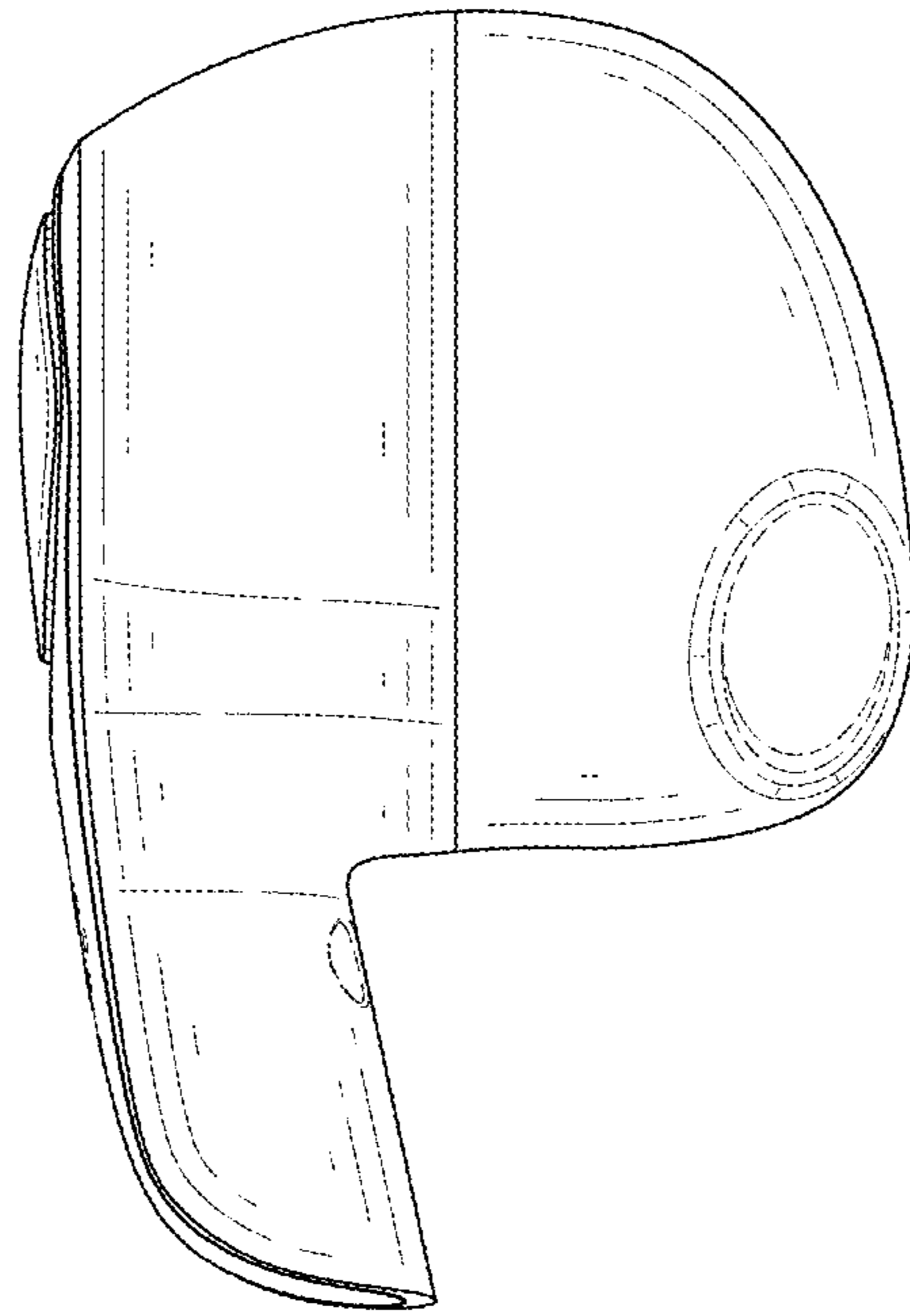


FIG. 5

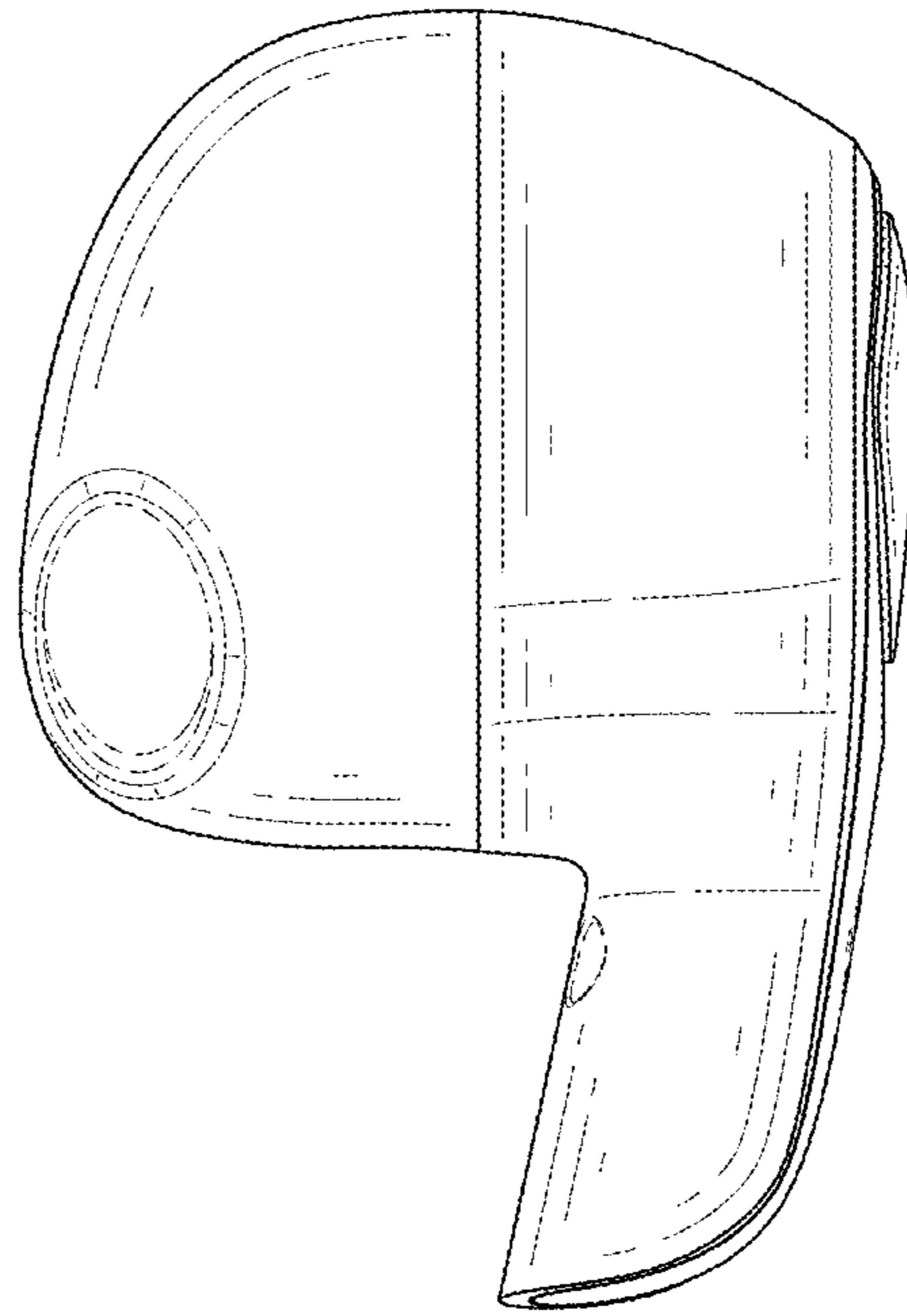


FIG. 6



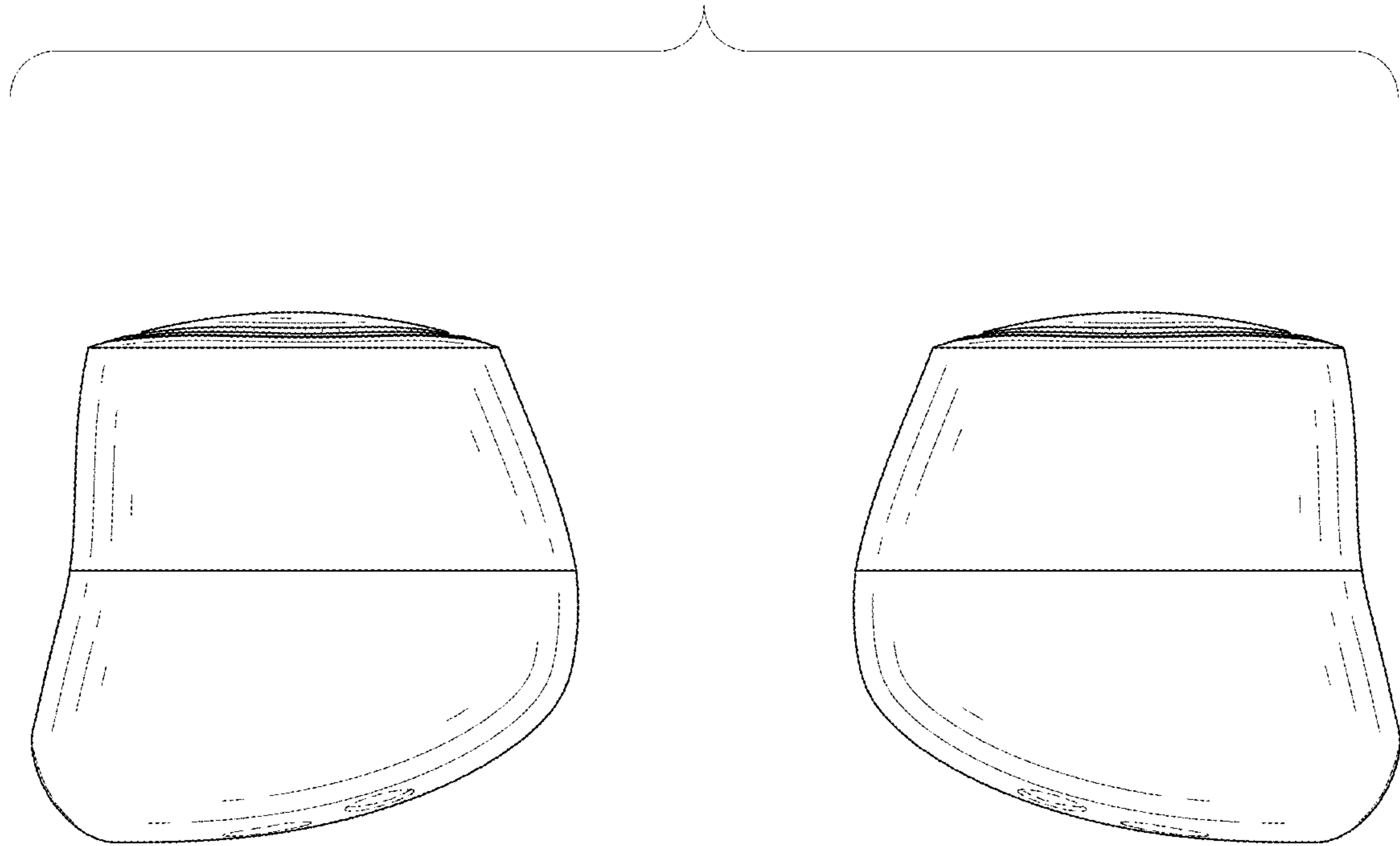


FIG. 7

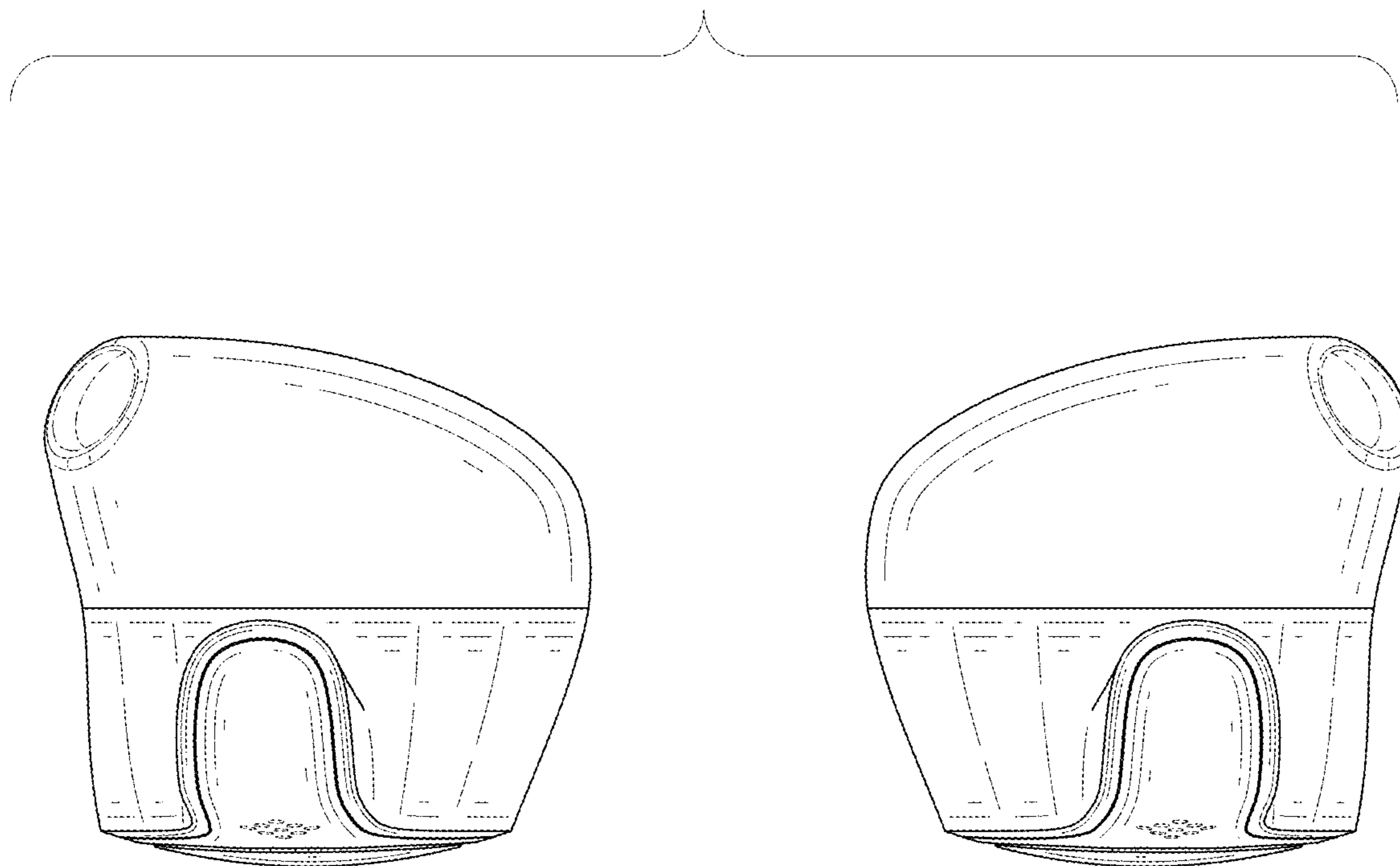


FIG. 8

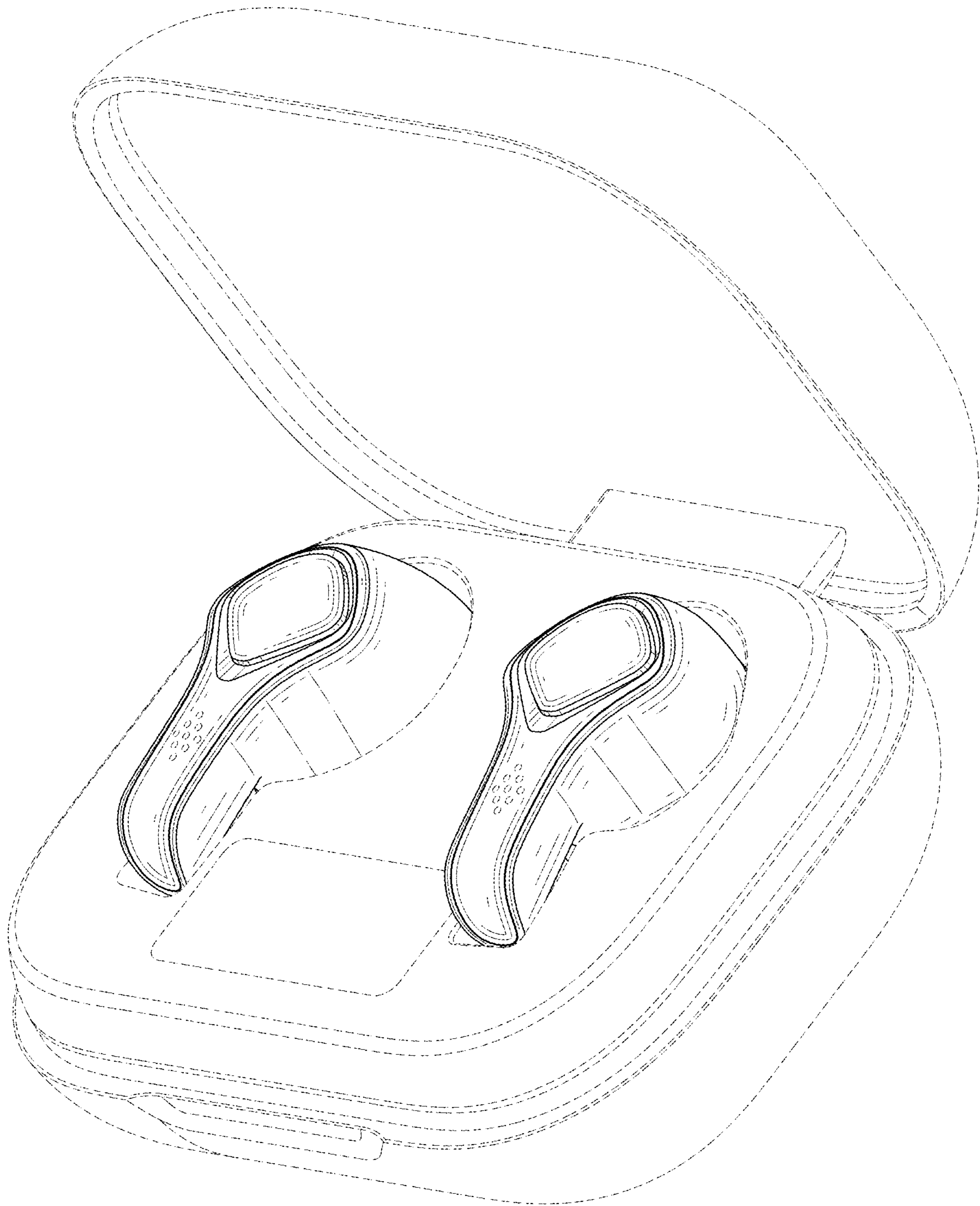


FIG. 9