



US00D884681S

(12) **United States Design Patent**
Zhang

(10) **Patent No.:** **US D884,681 S**

(45) **Date of Patent:** **** May 19, 2020**

(54) **PAIR OF EARPHONES**

(71) Applicant: **Anker Innovations Technology Co., Ltd.**, Changsha (CN)

(72) Inventor: **Chenyu Zhang**, Changsha (CN)

(73) Assignee: **Anker Innovations Technology Co., Ltd.**, Changsha (CN)

(**) Term: **15 Years**

(21) Appl. No.: **29/674,881**

(22) Filed: **Dec. 27, 2018**

(51) **LOC (12) Cl.** **14-01**

(52) **U.S. Cl.**
USPC **D14/223**

(58) **Field of Classification Search**

USPC D14/223, 205; D24/174; 128/864, 865, 128/866; 181/129, 130, 135; 379/430, 379/431; 381/380, 381, 374; 455/90.3, 455/575.1, 569.1

CPC H04R 1/10; H04R 25/00; H04R 1/1066; H04R 1/1016; H04R 5/033; H04R 5/0335

See application file for complete search history.

(56) **References Cited**

U.S. PATENT DOCUMENTS

D215,675 S * 10/1969 Yran D14/195

D236,988 S * 9/1975 Walters D14/223

(Continued)

FOREIGN PATENT DOCUMENTS

CN 305172614 * 5/2019

CN 305372008 * 10/2019

(Continued)

OTHER PUBLICATIONS

Amazon, "Anker Wireless Earbuds, Soundcore Liberty Life Bluetooth . . .", First reviewed in copending U.S. Appl. No. 29/674,880, filed Jan. 17, 2019. (<https://www.amazon.com/Anker-Soundcore->

Sweatproof-Headphones-Graphene-Enhanced/dp/B07JMLGMNL) (year 2019 13 pages) (Year: 2019).*

Primary Examiner — Paula Allen Greene

(74) *Attorney, Agent, or Firm* — Getech Law LLC; Jun Ye

(57) **CLAIM**

The ornamental design for a pair of earphones, as shown and described.

DESCRIPTION

FIG. 1 is a perspective view of a pair of earphones in accordance with the present invention;

FIG. 2 is a front view of a first earpiece of the pair of earphones in accordance with the present invention;

FIG. 3 is a rear view thereof;

FIG. 4 is a left view thereof;

FIG. 5 is a right view thereof;

FIG. 6 is a top view thereof;

FIG. 7 is a bottom view thereof;

FIG. 8 is a perspective view thereof;

FIG. 9 is a front view of a second earpiece of the pair of earphones in accordance with the present invention;

FIG. 10 is a rear view thereof;

FIG. 11 is a left view thereof;

FIG. 12 is a right view thereof;

FIG. 13 is a top view thereof; and

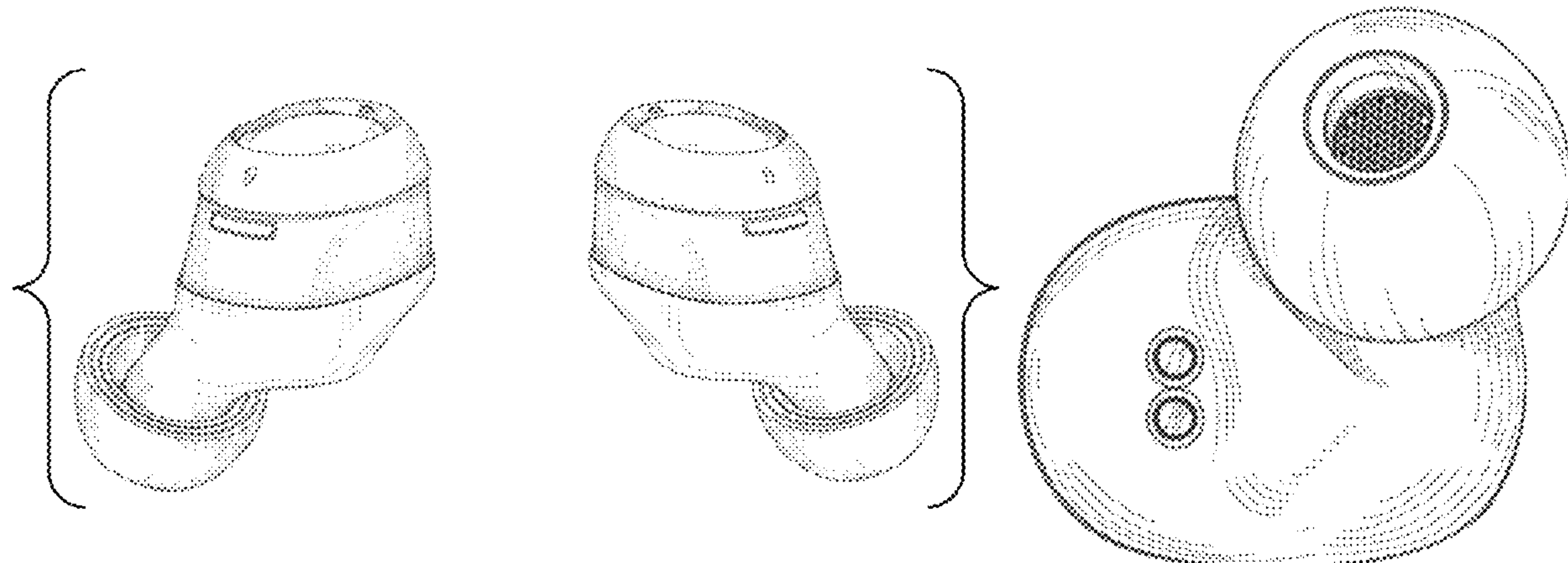
FIG. 14 is a bottom view thereof; and,

FIG. 15 is a perspective view thereof.

The features shown in broken lines in the various Figures are for illustrating environmental structure and form no part of the claimed design.

As indicated in the title, the article of manufacture to which the ornamental design has been applied is a pair of earphones, in-ear headphones, earbuds, earpieces for headphones, headsets or headphone devices.

1 Claim, 8 Drawing Sheets



(56)

References Cited

U.S. PATENT DOCUMENTS

D287,764 S * 1/1987 Topholm D24/174
 D287,765 S * 1/1987 Topholm D24/174
 D295,173 S * 4/1988 Oren D14/168
 D297,979 S * 10/1988 Voroba D24/174
 D338,530 S * 8/1993 Oberlander D24/174
 D348,066 S * 6/1994 Lucey D14/205
 D397,796 S * 9/1998 Yabe D24/174
 D473,217 S * 4/2003 Rivera D14/223
 D477,593 S * 7/2003 Komiyama D14/223
 D477,822 S * 7/2003 Komiyama D14/223
 D481,709 S * 11/2003 Solderits D14/223
 D505,411 S * 5/2005 Sakai D14/192
 D514,095 S * 1/2006 Wilson D14/223
 D519,108 S * 4/2006 Yang D14/223
 D579,006 S * 10/2008 Kim D14/223
 D588,111 S * 3/2009 Komiyama D14/223
 D603,380 S * 11/2009 Hutchieson D14/223
 D636,492 S * 4/2011 Aquilina D24/174
 D637,997 S * 5/2011 Peller D14/205
 D637,999 S * 5/2011 Brunner D14/205
 D641,010 S * 7/2011 Kwon D14/223
 D643,833 S * 8/2011 Lee D14/223
 D652,817 S * 1/2012 Lee D14/205
 D652,822 S * 1/2012 Lee D14/223
 D654,056 S * 2/2012 Hoggarth D14/205
 D666,581 S * 9/2012 Perez D14/223
 D685,764 S * 7/2013 Coulter D14/205
 D686,597 S * 7/2013 Lee D14/223
 D697,058 S * 1/2014 Thompson D14/205
 D699,226 S * 2/2014 Yoon D14/206
 D711,356 S * 8/2014 Yang D14/223
 D711,857 S * 8/2014 Burgett D14/223
 D711,858 S * 8/2014 Yang D14/223
 D712,882 S * 9/2014 Wang D14/223
 D719,139 S * 12/2014 Henry D14/223
 D719,550 S * 12/2014 Yang D14/223
 D725,082 S * 3/2015 Palmborg D14/223
 D726,145 S * 4/2015 Hsieh D14/205
 D727,871 S * 4/2015 Orbach D14/205
 D728,107 S * 4/2015 Torres Martin D24/174
 D733,102 S * 6/2015 Palmborg D14/223
 D733,103 S * 6/2015 Jeong D14/224
 D735,169 S * 7/2015 Shieh D14/223
 D737,251 S * 8/2015 Thompson D14/223
 D742,861 S * 11/2015 Miyake D14/223
 D764,445 S * 8/2016 Czaniecki D14/223
 D773,032 S * 11/2016 Palmborg D24/106
 D777,148 S * 1/2017 Samrelius D14/223

D777,710 S * 1/2017 Palmborg D14/223
 D781,269 S * 3/2017 Choe D14/223
 D782,997 S * 4/2017 Shin D14/205
 D782,998 S * 4/2017 Shin D14/205
 D794,611 S * 8/2017 Valenzuela D14/223
 D795,224 S * 8/2017 Valenzuela D14/223
 D798,843 S * 10/2017 Valenzuela D14/223
 D800,097 S * 10/2017 Chen D14/223
 D801,950 S * 11/2017 Otani D14/223
 D806,879 S * 1/2018 Horbinski D24/174
 D807,862 S * 1/2018 Takami D14/223
 D810,054 S * 2/2018 Yuan D14/223
 D812,042 S * 3/2018 Xiao D14/223
 D813,205 S * 3/2018 Palmborg D14/223
 D813,848 S * 3/2018 Palmborg D14/223
 D817,309 S * 5/2018 Czaniecki D14/223
 D822,646 S * 7/2018 Dang D14/223
 D832,823 S * 11/2018 Xiao D14/223
 D841,626 S * 2/2019 Tang D14/223
 D841,627 S * 2/2019 Wen D14/223
 D842,844 S * 3/2019 Li D14/223
 D843,353 S * 3/2019 Zhang D14/223
 D845,932 S * 4/2019 Lu D14/223
 D846,532 S * 4/2019 Xiao D14/223
 D847,126 S * 4/2019 Loermann D14/223
 D852,171 S * 6/2019 Cai D14/223
 D852,359 S * 6/2019 Lund D24/141
 D852,782 S * 7/2019 Bergman D14/223
 D852,783 S * 7/2019 Hueber D14/223
 D858,489 S * 9/2019 Hu D14/223
 D862,424 S * 10/2019 You D14/223
 D863,263 S * 10/2019 Yu D14/223
 D864,166 S * 10/2019 You D14/223
 D864,167 S * 10/2019 Wu D14/223
 D868,752 S * 12/2019 Zhu D14/223
 D869,443 S * 12/2019 Sumii D14/223
 D871,376 S * 12/2019 Zhou D14/223
 D872,063 S * 1/2020 Arimoto D14/223
 D873,217 S * 1/2020 Zhang D13/108
 2012/0114160 A1 * 5/2012 Lin H04R 1/1091
 381/380
 2017/0026738 A1 * 1/2017 Tang H04R 1/1058

FOREIGN PATENT DOCUMENTS

EM 004059293-0001 * 6/2017
 EM 005814449-0001 * 11/2018
 EM 005814449-0002 * 11/2018
 EM 007456785-0001 * 12/2019

* cited by examiner

FIG. 1

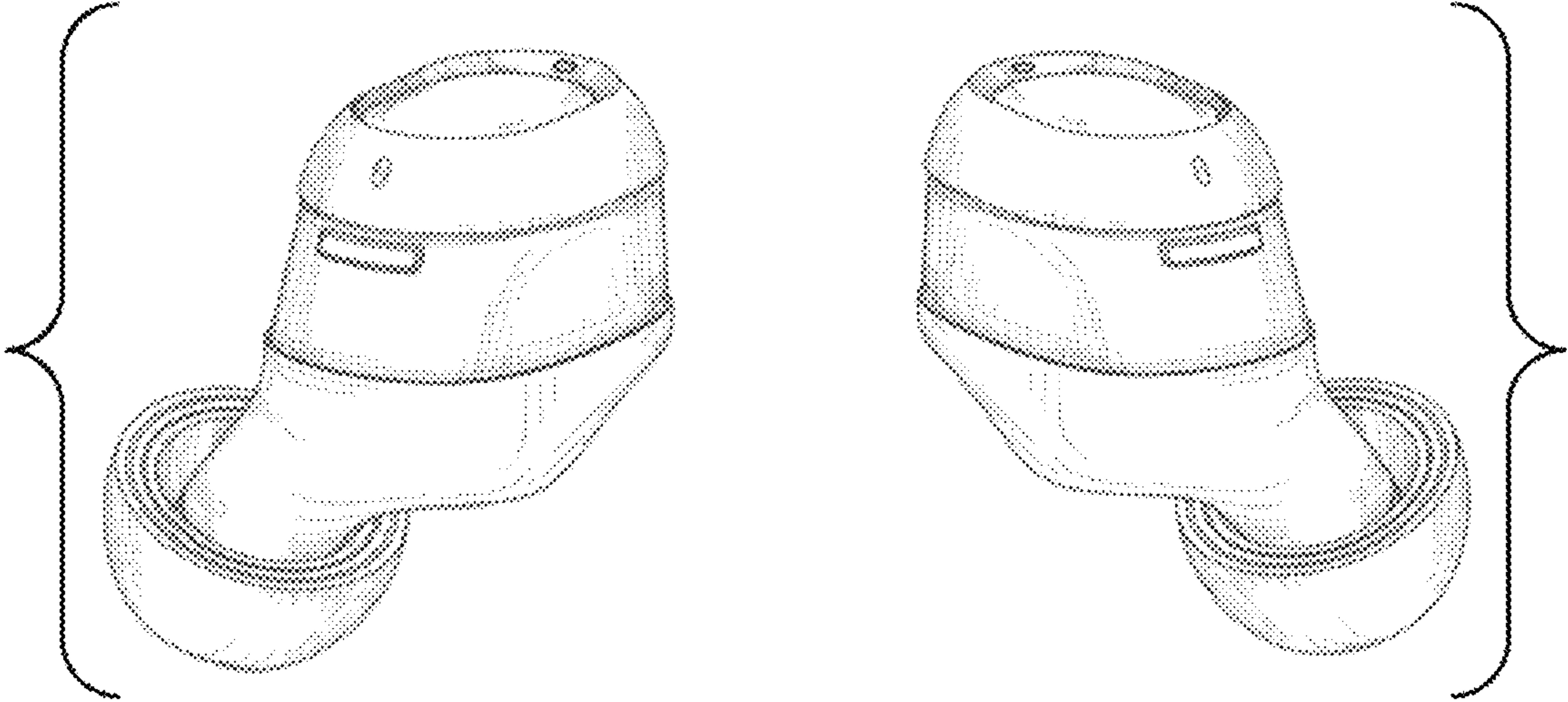


FIG. 2

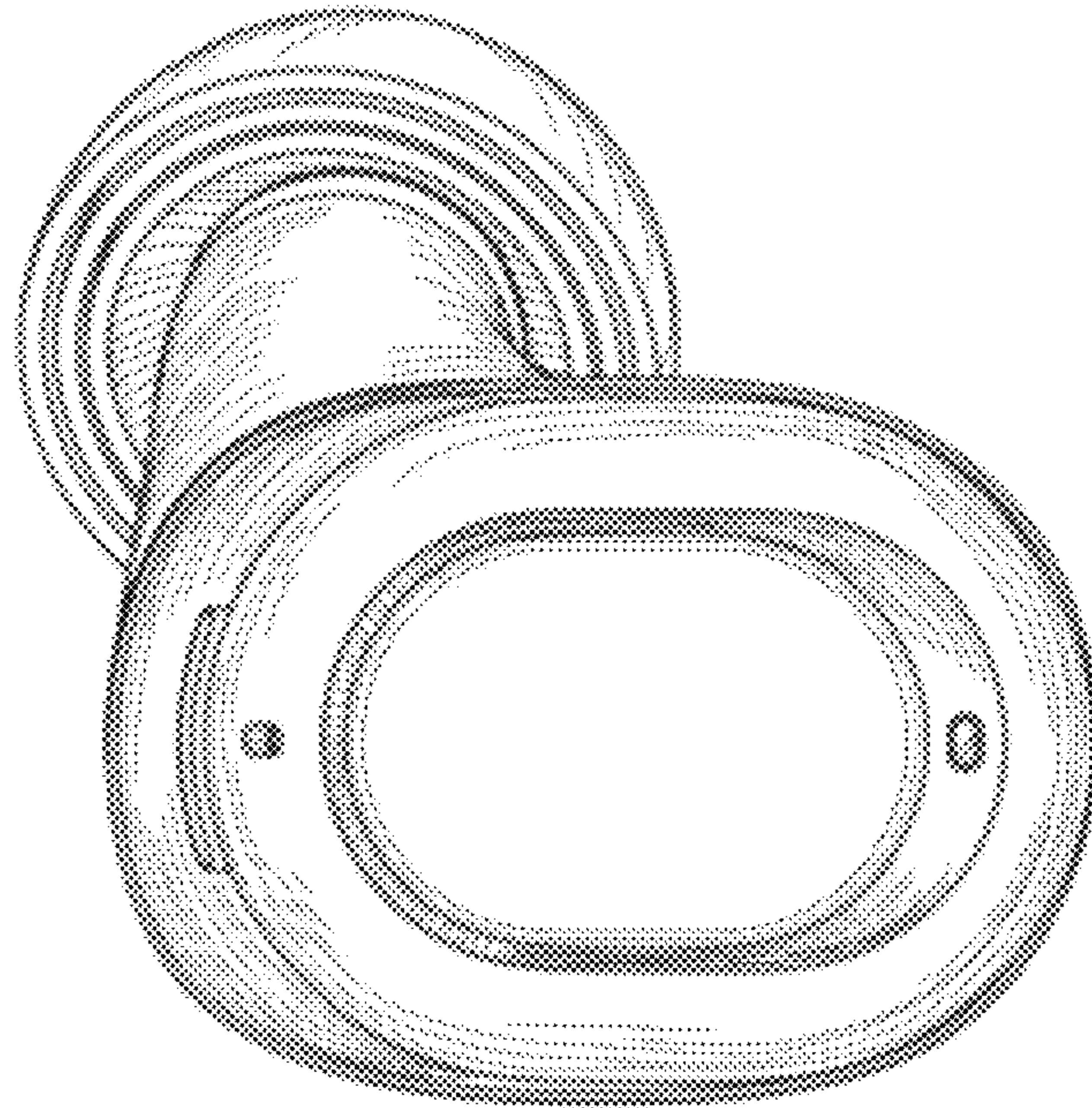


FIG. 3

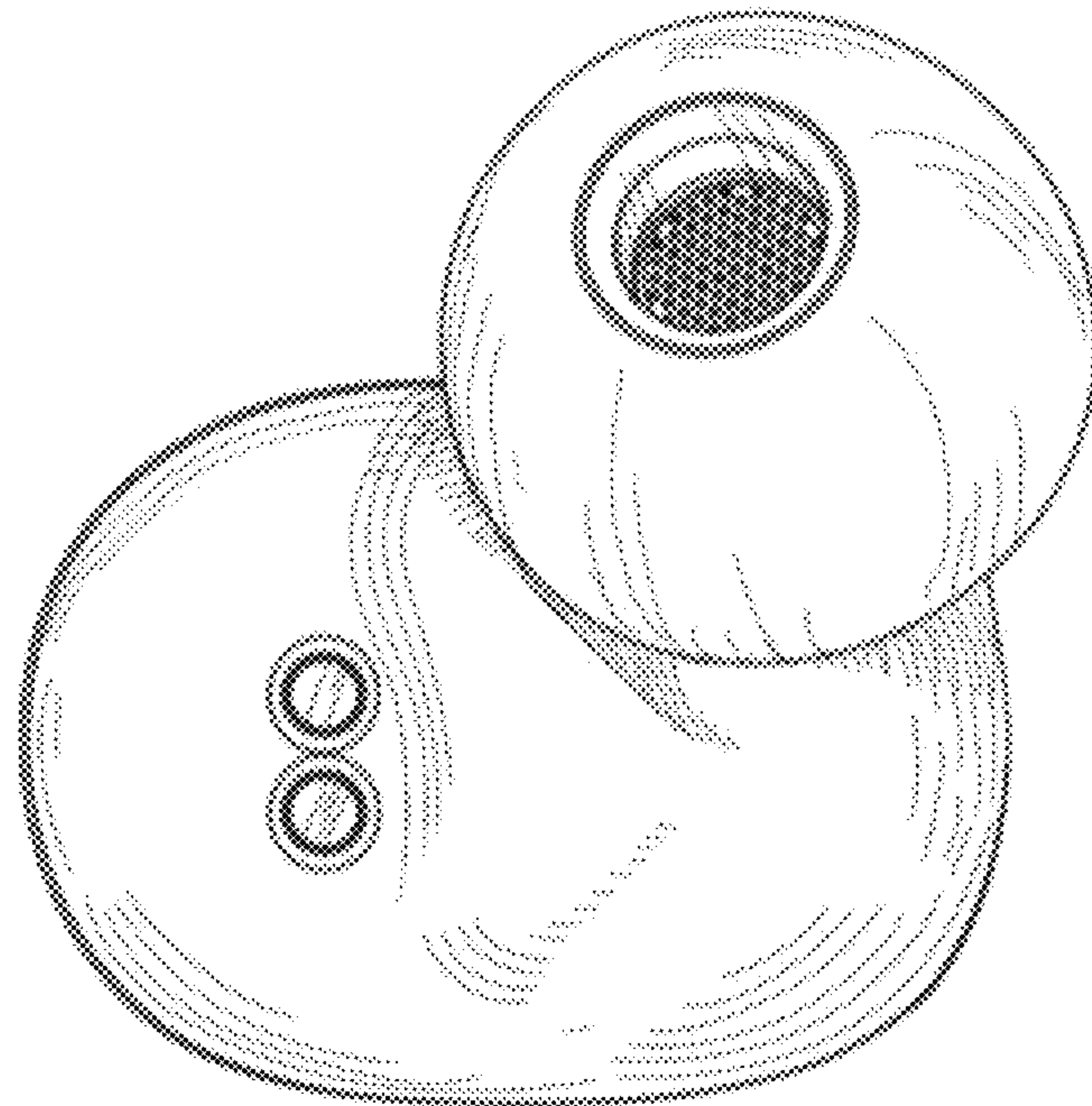


FIG. 4

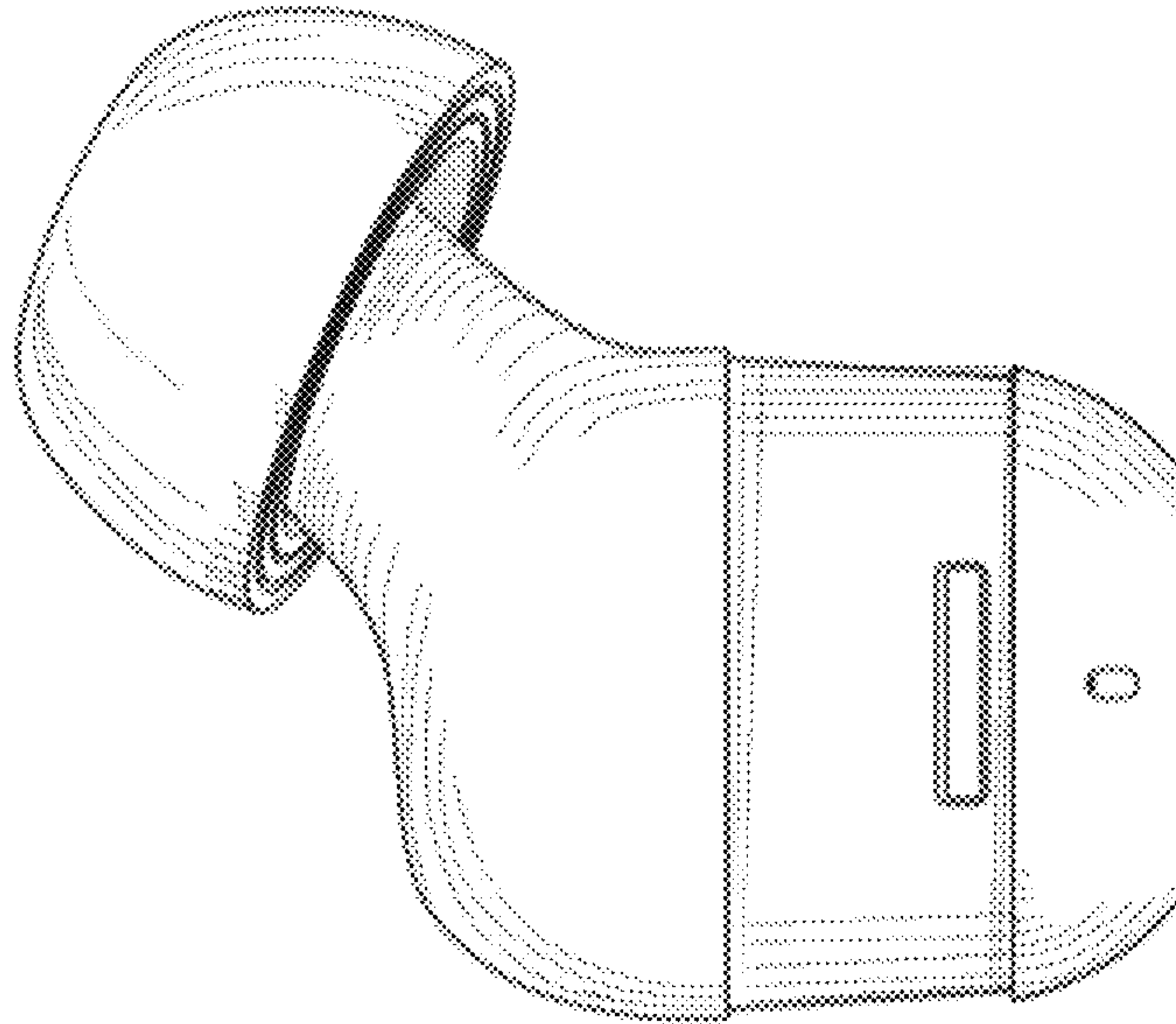


FIG. 5

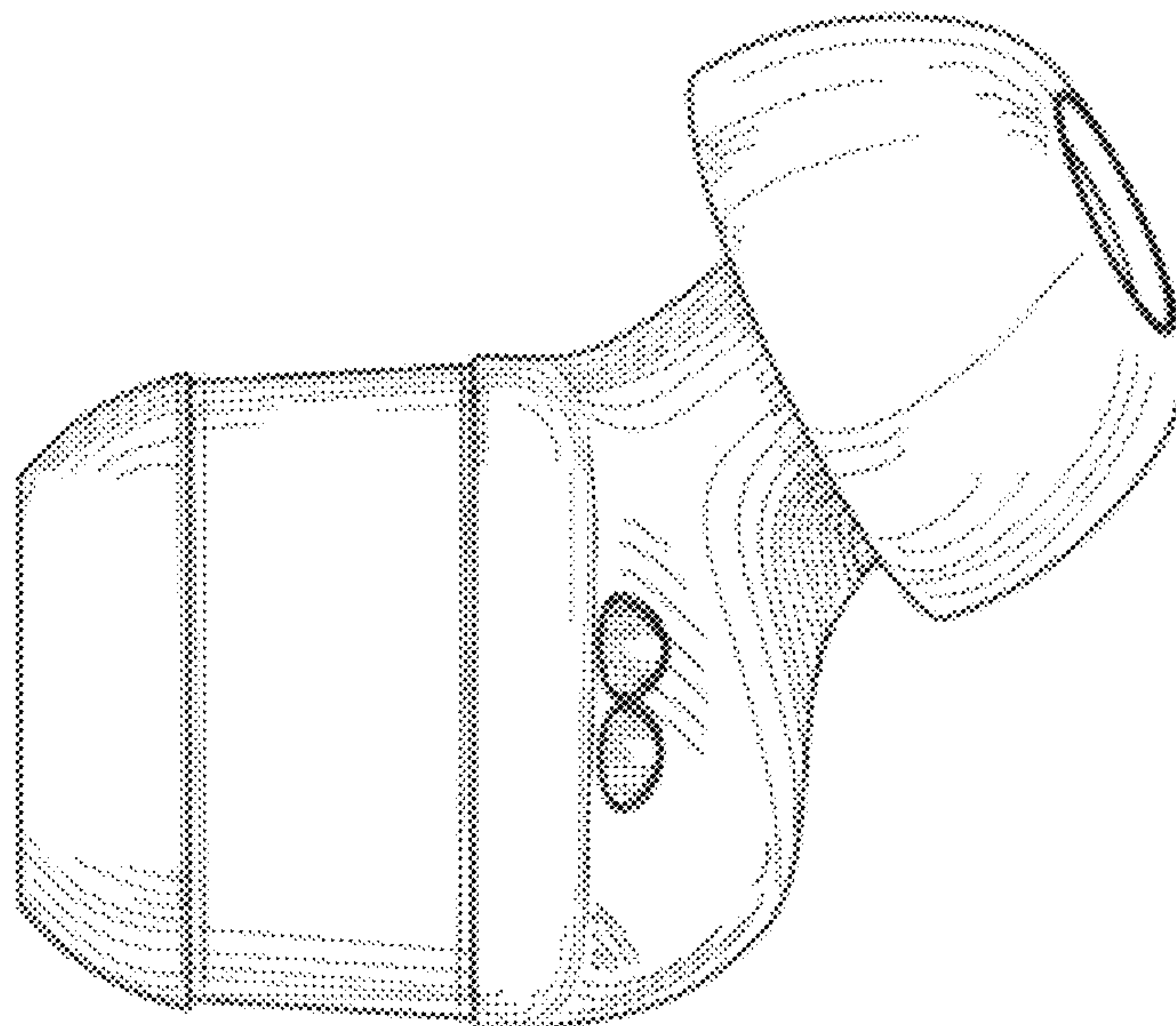


FIG. 6

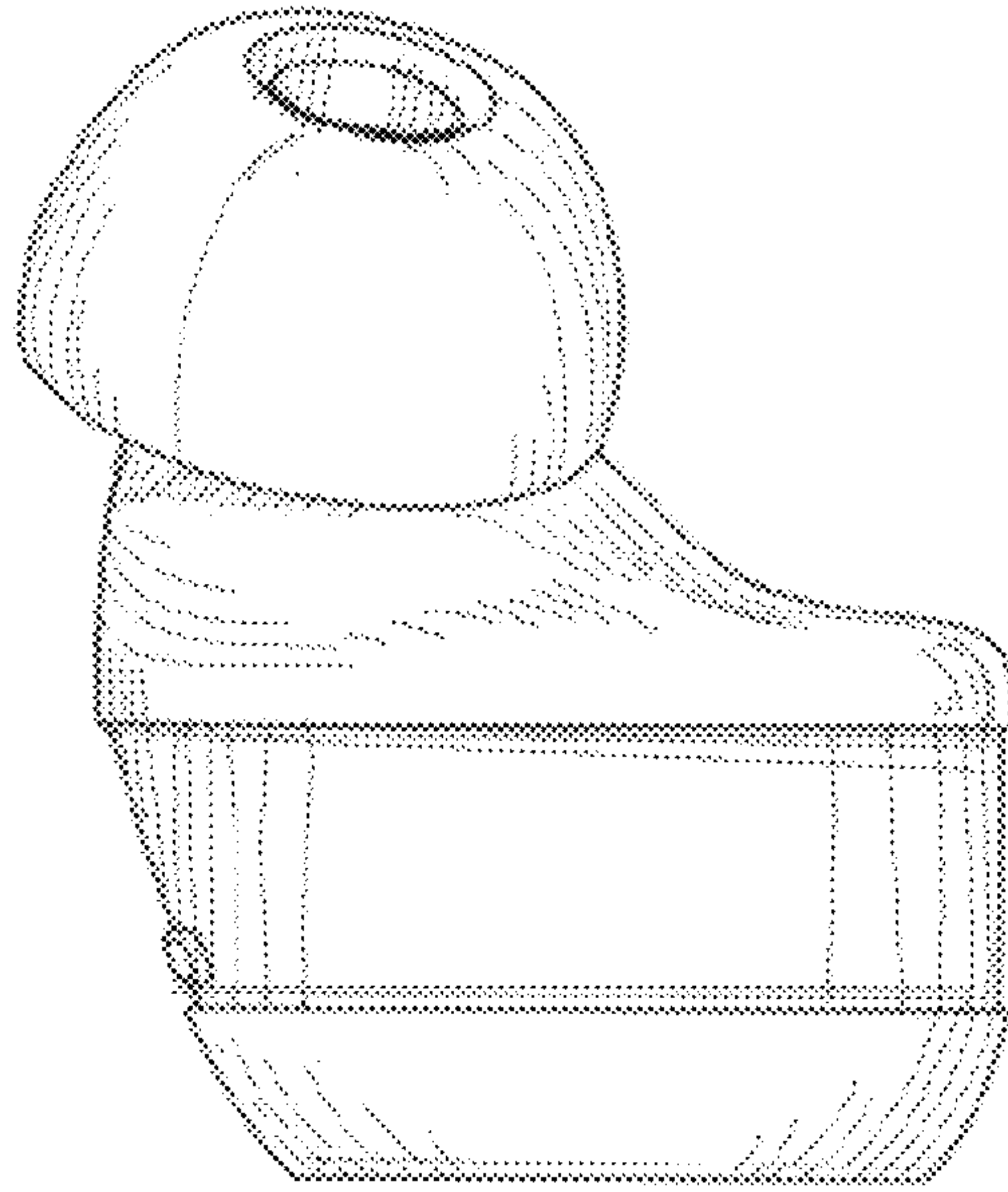


FIG. 7

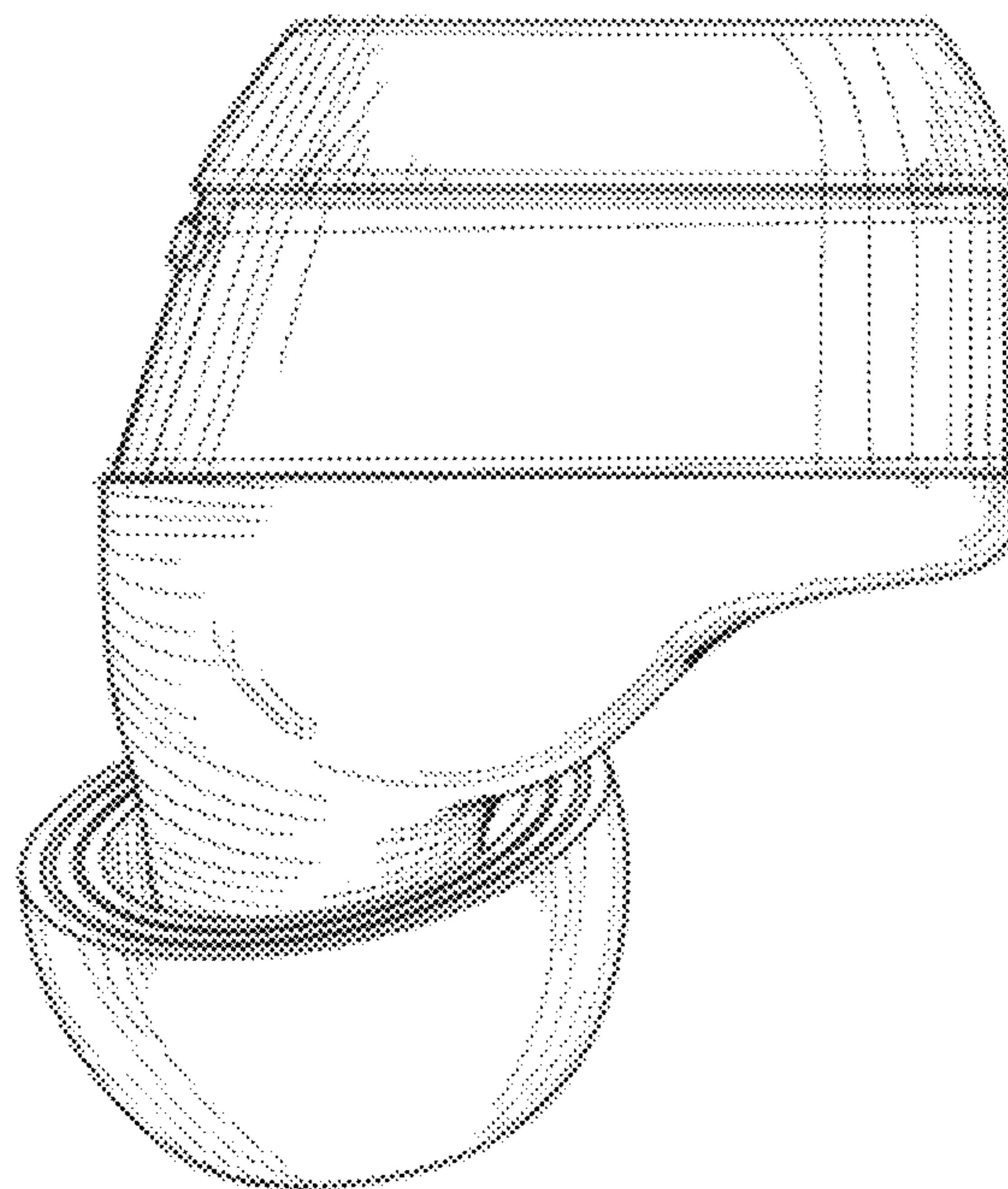


FIG. 8

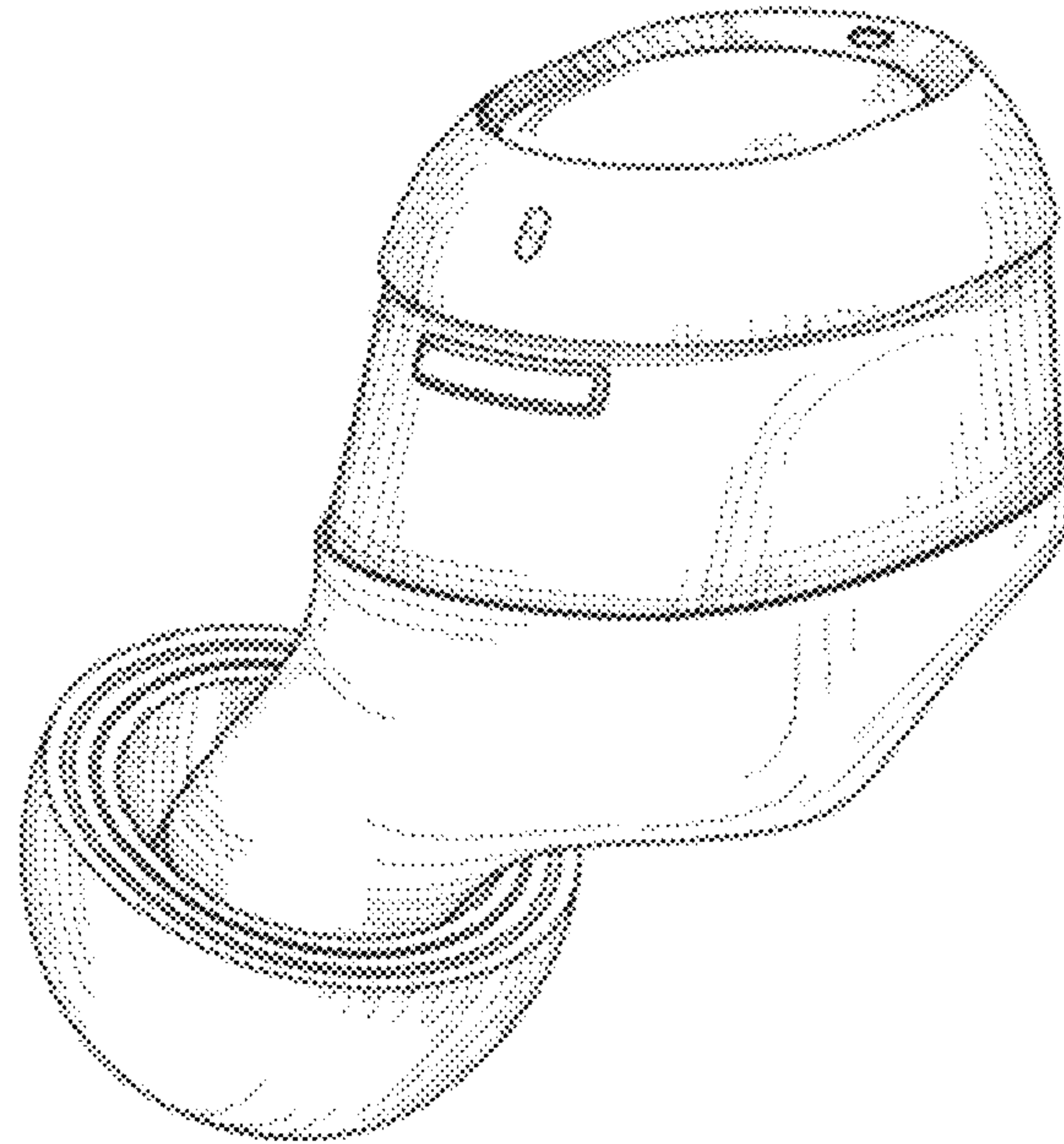


FIG. 9

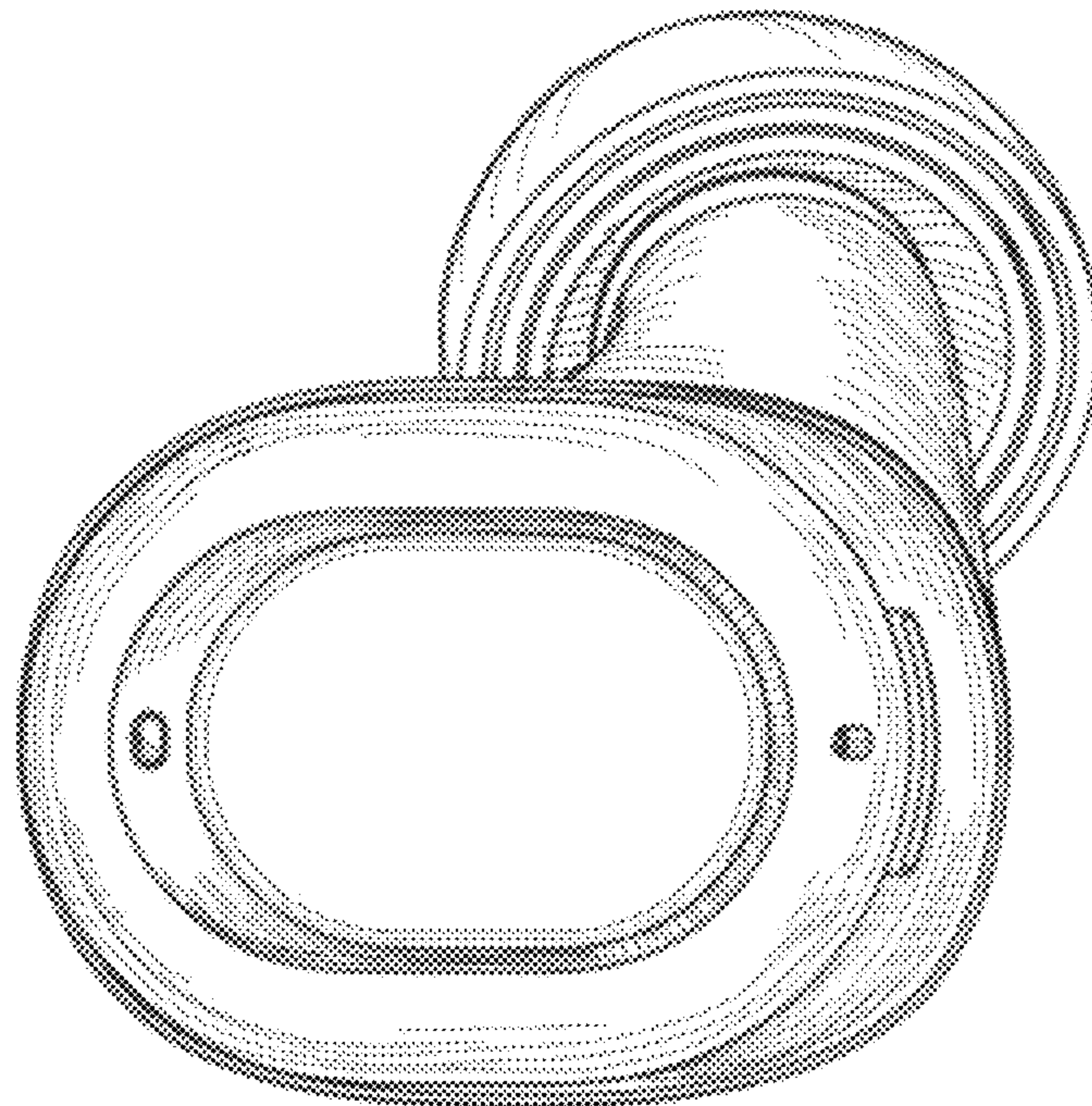


FIG. 10

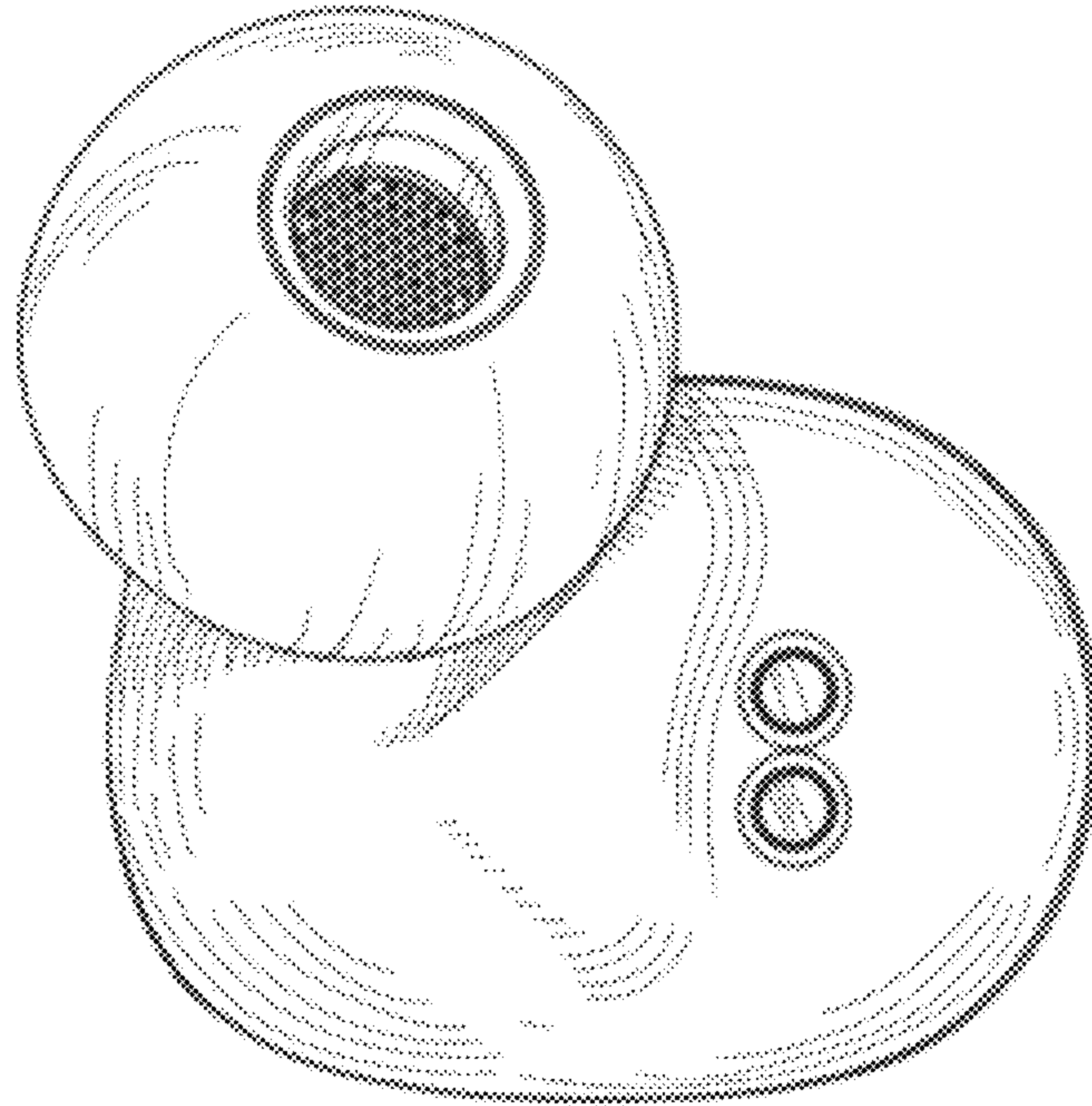


FIG. 11

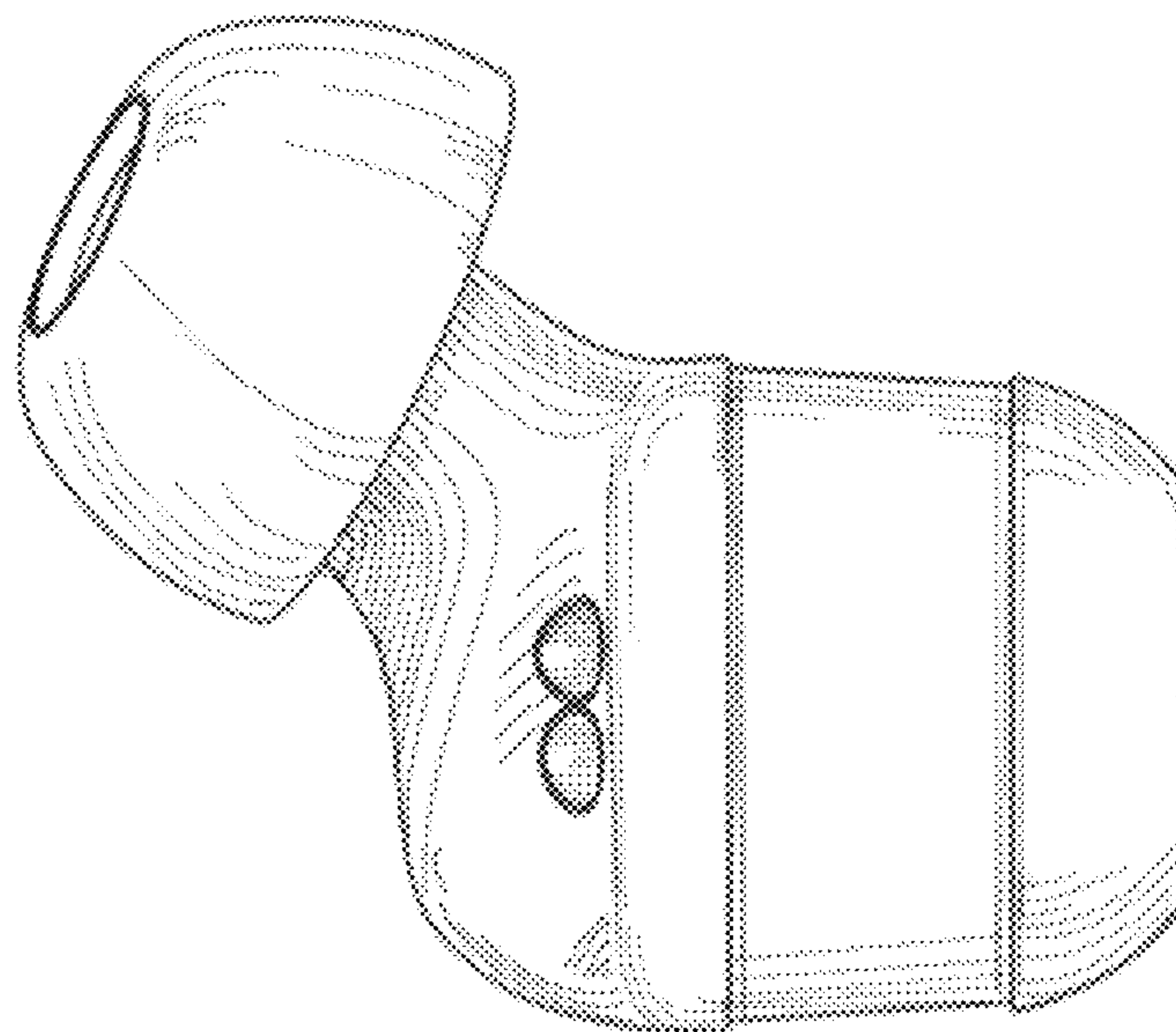


FIG. 12

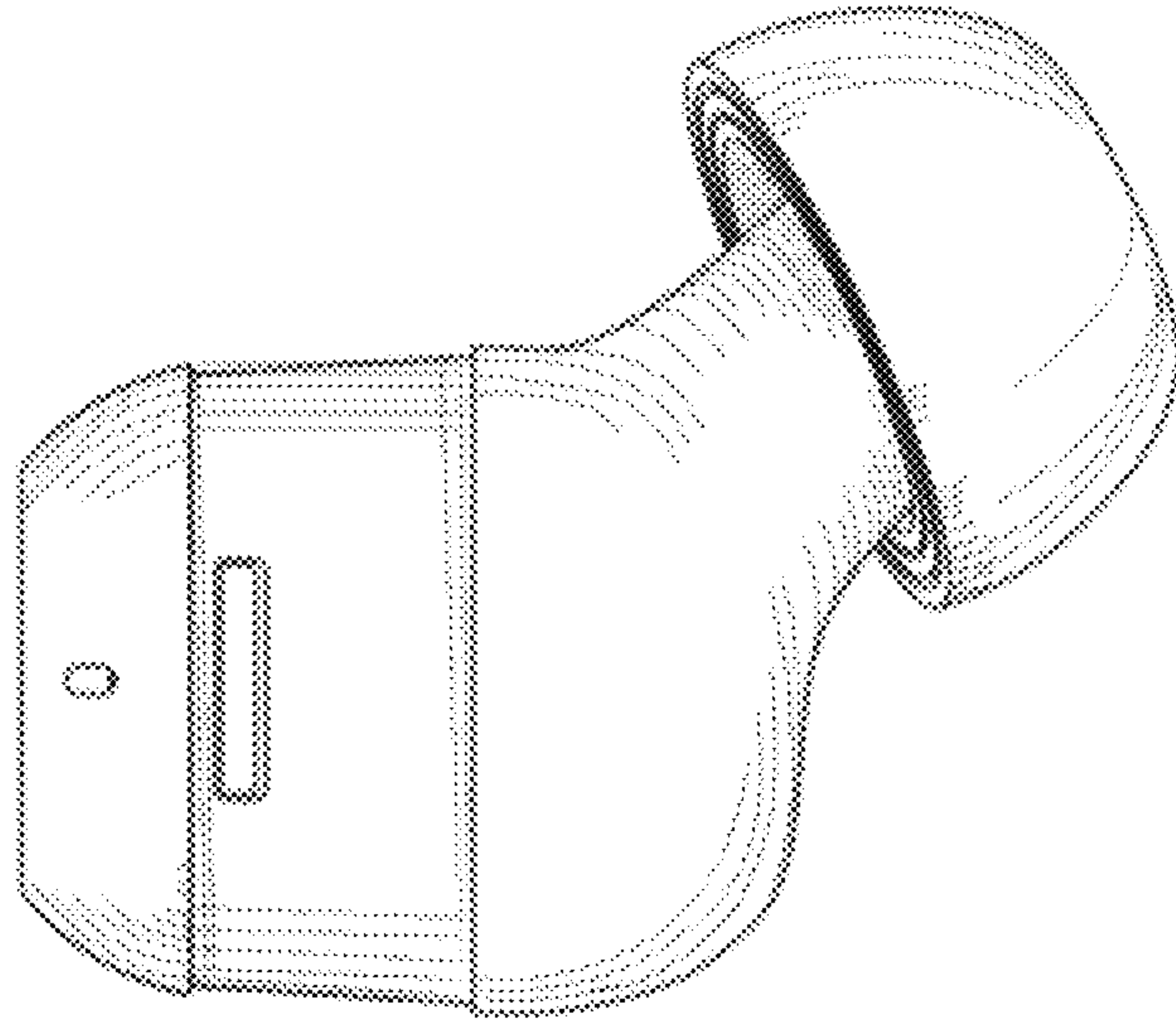


FIG. 13

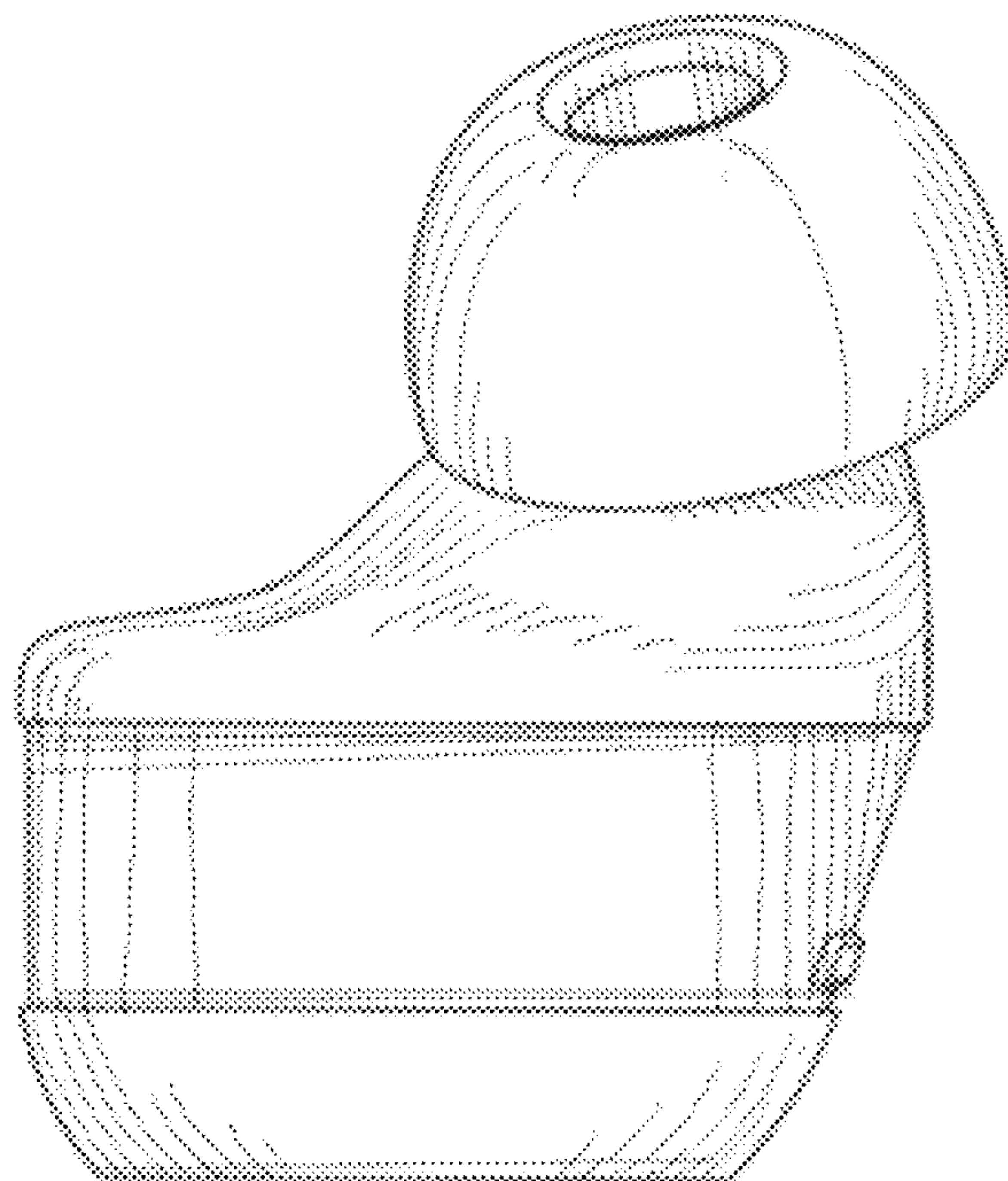


FIG. 14

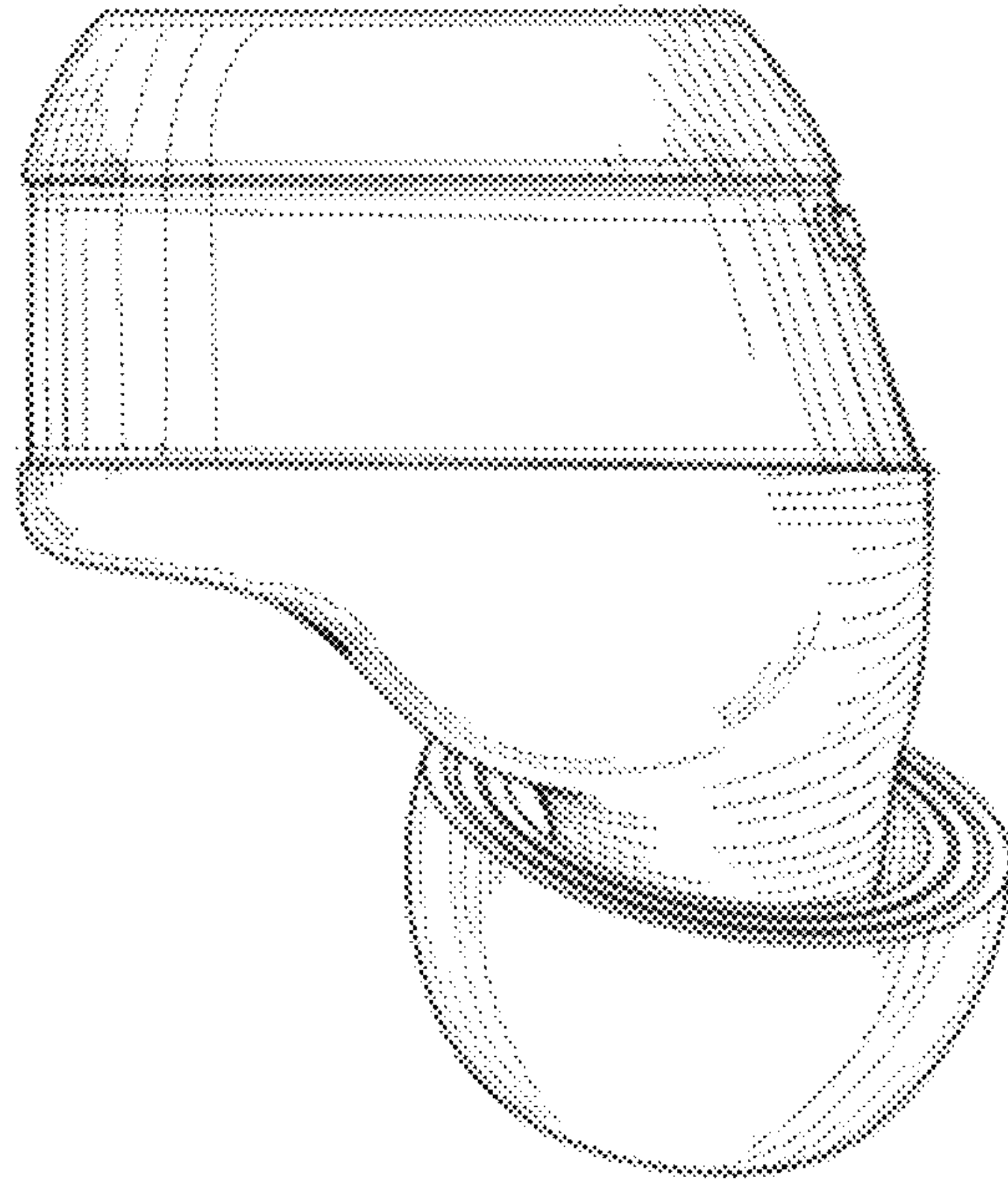


FIG. 15

