



US00D884679S

(12) **United States Design Patent**
Lin et al.

(10) **Patent No.:** **US D884,679 S**
(45) **Date of Patent:** **** May 19, 2020**

(54) **CONTROL MODULE FOR TELEVISION**

(71) Applicant: **SHENZHEN SKYWORTH-RGB ELECTRONIC CO., LTD**, Shenzhen, Guangdong (CN)

(72) Inventors: **Fu Lin**, Guangdong (CN); **Lixing Chen**, Guangdong (CN); **Zhiyong Chen**, Guangdong (CN); **Shuxiao Wei**, Guangdong (CN); **Feixiang Fang**, Guangdong (CN); **Xinhua Zhang**, Guangdong (CN); **Xiaohui Zhang**, Guangdong (CN); **Shusan Yang**, Guangdong (CN)

(73) Assignee: **SHENZHEN SKYWORTH-RGB ELECTRONIC CO., LTD**, Shenzhen (CN)

(**) Term: **15 Years**

(21) Appl. No.: **29/674,744**

(22) Filed: **Dec. 25, 2018**

(30) **Foreign Application Priority Data**

Dec. 6, 2018 (CN) 2018 3 0702771

(51) **LOC (12) Cl.** **14-03**

(52) **U.S. Cl.**
USPC **D14/218**; D13/168; D14/125

(58) **Field of Classification Search**
USPC D14/218, 125, 126, 133, 188, 239; D13/168
CPC .. A47C 31/008; A61G 13/02; G07C 9/00944; G08C 17/00; G08C 17/02; H04B 1/202; H01H 9/02; H01H 9/0214; H01H 9/0235; H01H 9/0242
See application file for complete search history.

(56) **References Cited**

U.S. PATENT DOCUMENTS

D529,044 S * 9/2006 Andre D14/203.3
D699,694 S * 2/2014 Son D14/125

D701,184 S * 3/2014 Son D14/125
D703,165 S * 4/2014 Bang D14/125
D729,183 S * 5/2015 Zou D14/125
D735,150 S * 7/2015 Baldwin D14/125
D799,449 S * 10/2017 Yoon D14/218
D815,609 S * 4/2018 Moreno D14/125
D823,823 S * 7/2018 Kim D14/126
D835,592 S * 12/2018 Kim D14/126
D836,578 S * 12/2018 Kim D14/125
D837,172 S * 1/2019 Haugen D14/126
D846,515 S * 4/2019 Hammarstedt D14/125
D863,235 S * 10/2019 Zhou D13/168

* cited by examiner

Primary Examiner — John Windmuller

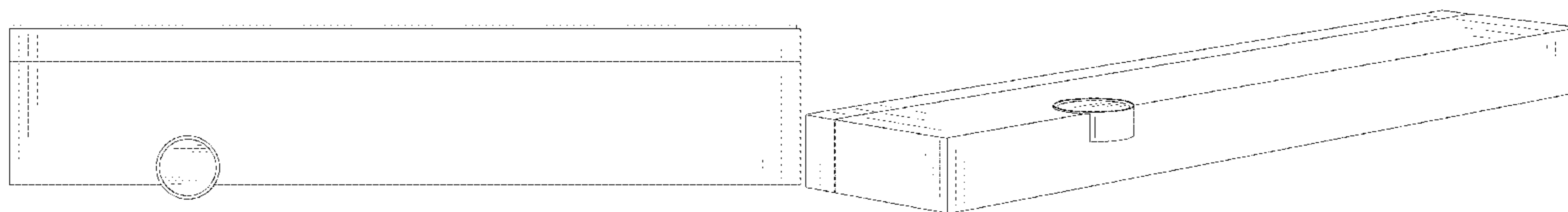
(57) **CLAIM**

The ornamental design for a control module for television, as shown and described.

DESCRIPTION

FIG. 1 is a front elevational view of a control module for television showing our new design;
FIG. 2 is a rear elevational view thereof;
FIG. 3 is a left side view thereof;
FIG. 4 is a right side view thereof;
FIG. 5 is a top plan view thereof;
FIG. 6 is a bottom plan view thereof;
FIG. 7 is a top, front and left side perspective view thereof; and,
FIG. 8 is a top, front and left side perspective view showing the control module for television linked with a wall-mounting type television in a use state.
The broken lines in the drawings illustrate portions of the control module for television which form no part of the claimed design.
The broken lines in FIG. 8 depicting the wall-mounting type television also form no part of the claimed design.

1 Claim, 8 Drawing Sheets



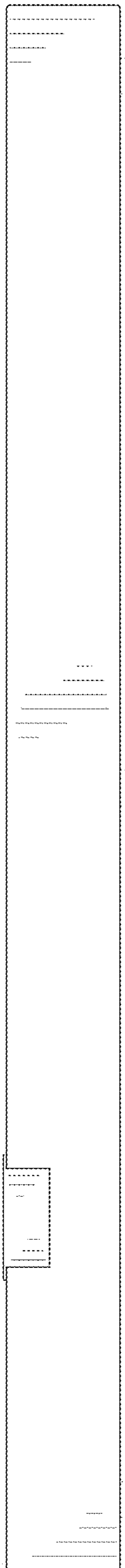


FIG. 1

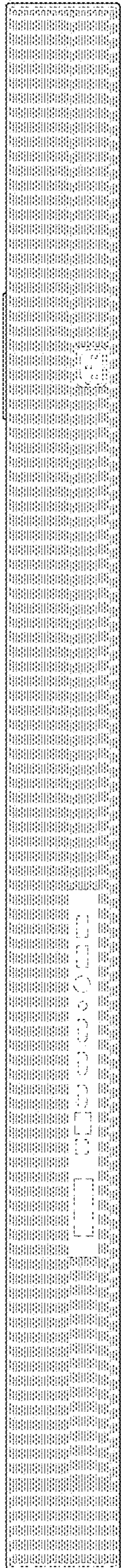


FIG. 2

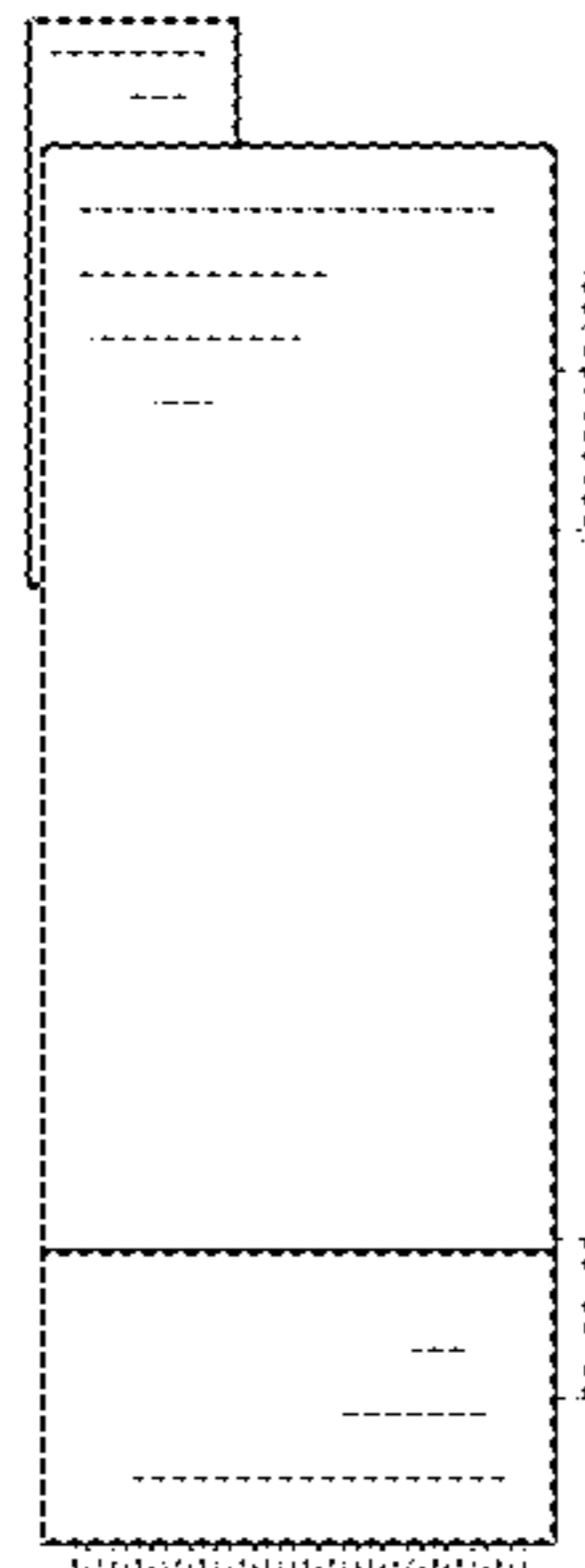


FIG. 3

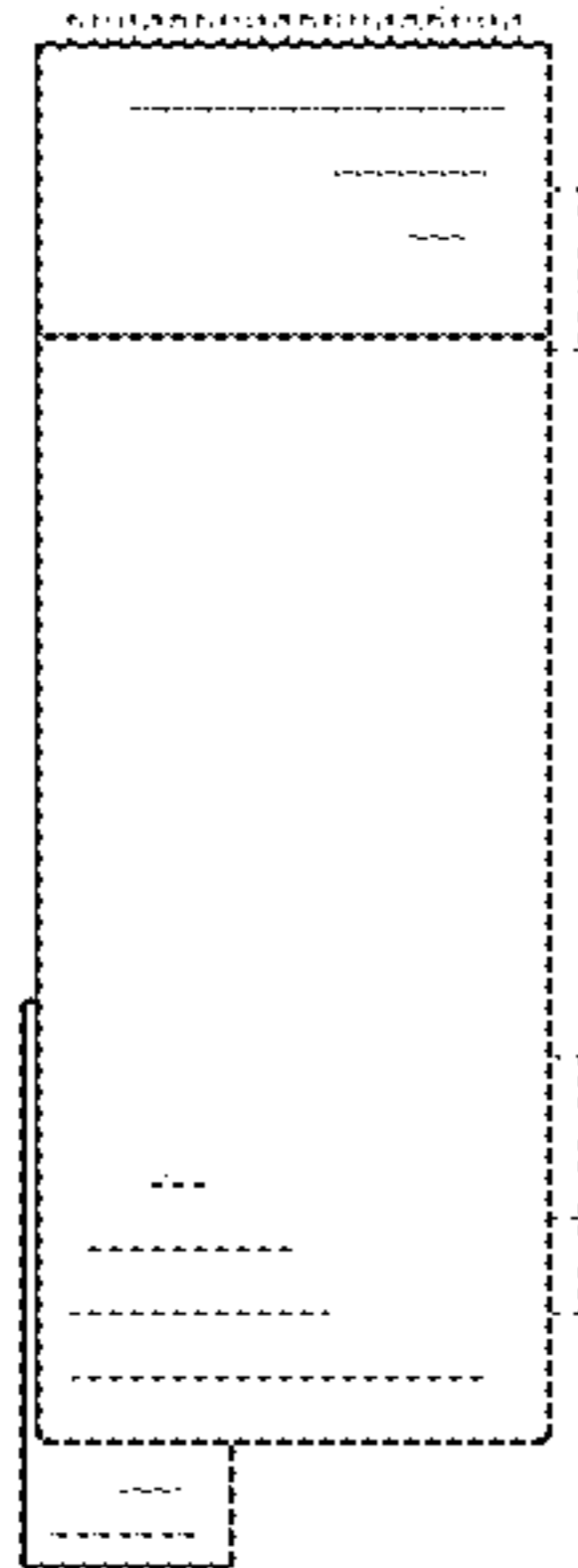


FIG. 4

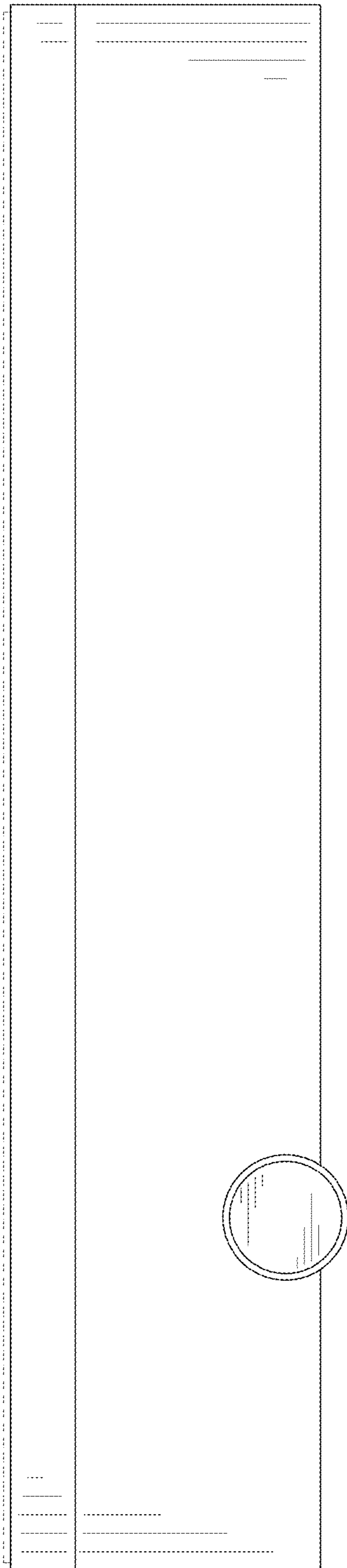


FIG. 5

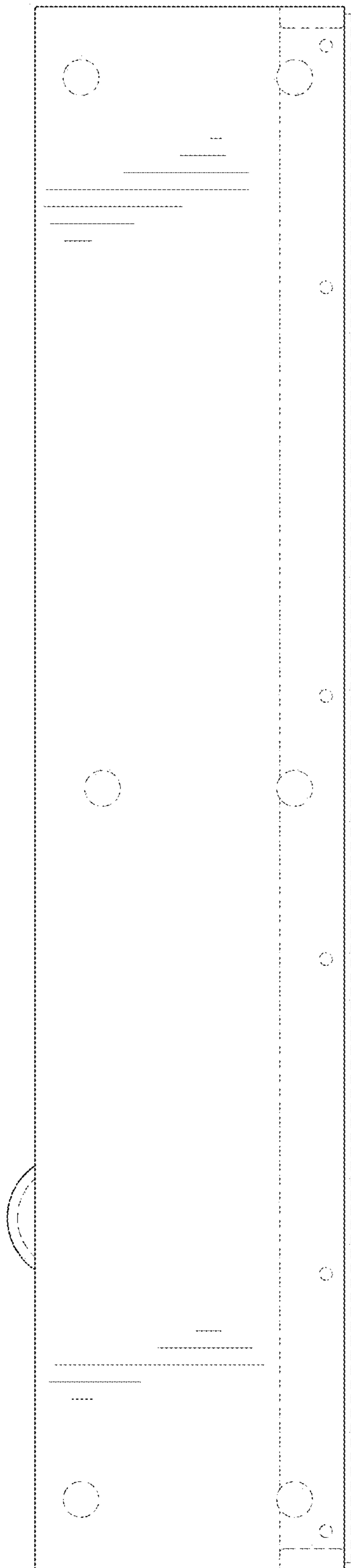


FIG. 6

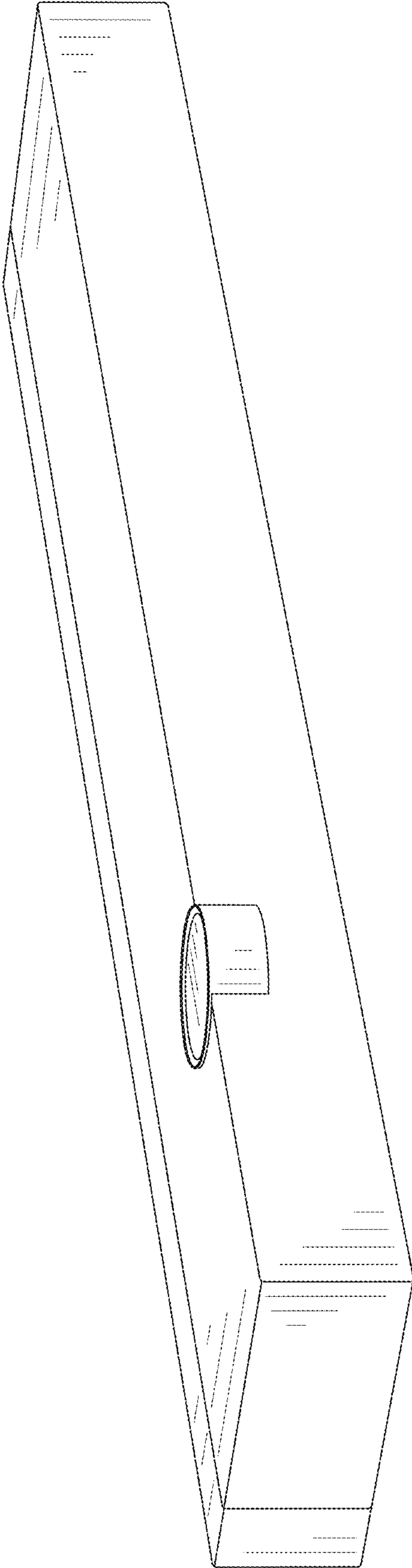


FIG. 7

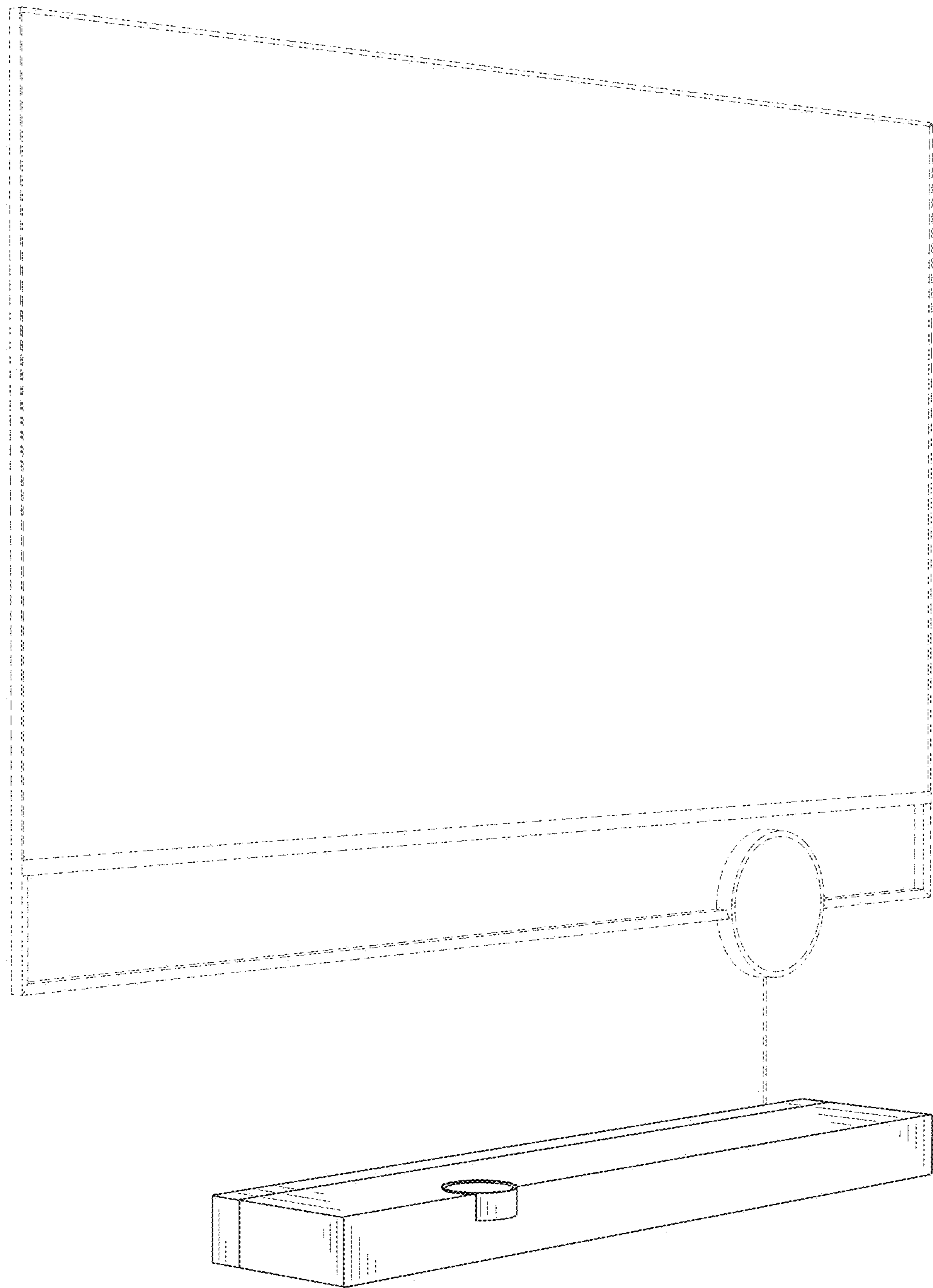


FIG. 8