



US00D884677S

(12) **United States Design Patent**
Feng

(10) **Patent No.:** **US D884,677 S**

(45) **Date of Patent:** **** May 19, 2020**

- (54) **AUDIO PLAYER**
- (71) Applicant: **Shenzhen Humboldt Technology Co., Ltd, Shenzhen (CN)**
- (72) Inventor: **Jianwei Feng, Shenzhen (CN)**
- (**) Term: **15 Years**
- (21) Appl. No.: **29/715,844**
- (22) Filed: **Dec. 5, 2019**
- (51) **LOC (12) Cl.** **14-01**
- (52) **U.S. Cl.**
USPC **D14/216**
- (58) **Field of Classification Search**
USPC D14/167, 168, 170–172, 188, 194–196, D14/204, 209.1, 210–216, 219, 221, 222, D14/224, 239, 496, 162, 169, 175, 179, D14/189, 197, 198, 207, 257, 265, 299
CPC B60R 11/0217; G06F 1/1688; G10K 9/22; G10K 11/004; H03F 1/327; H04M 1/03; H04M 1/035; H04N 5/642; H04N 21/4852; H04R 1/02; H04R 1/06; H04R 1/021; H04R 1/025; H04R 1/026; H04R 1/028; H04R 1/105; H04R 1/323; H04R 1/403; H04R 1/2803; H04R 1/2834; H04R 5/02; H04R 7/20; H04R 9/06; H04R 9/025; H04R 2201/021; H04R 2400/00; H04R 2400/07; H04R 2499/11; H04R 2499/13; H04R 2499/15; H04S 3/00; H04S 7/30
See application file for complete search history.

- D636,760 S * 4/2011 Cheng H04R 1/028 D14/216
- D709,049 S 7/2014 Kim
- D822,004 S * 7/2018 Tan D14/216
- D828,333 S * 9/2018 Hu D14/216
- D839,189 S * 1/2019 Miller D13/108
- 10,405,075 B2 * 9/2019 Cheney H04R 1/026
- D862,418 S * 10/2019 Distefano D14/216
- D866,518 S * 11/2019 Ding D14/216
- D868,031 S * 11/2019 Ryu D14/216
- D868,737 S * 12/2019 Roberts D14/210
- D876,385 S * 2/2020 Li H04R 1/026 D14/204
- 2015/0110324 A1 * 4/2015 Feng H04R 1/028 381/334

* cited by examiner

Primary Examiner — Keli L Hill

(74) *Attorney, Agent, or Firm* — HYIP

(57) **CLAIM**

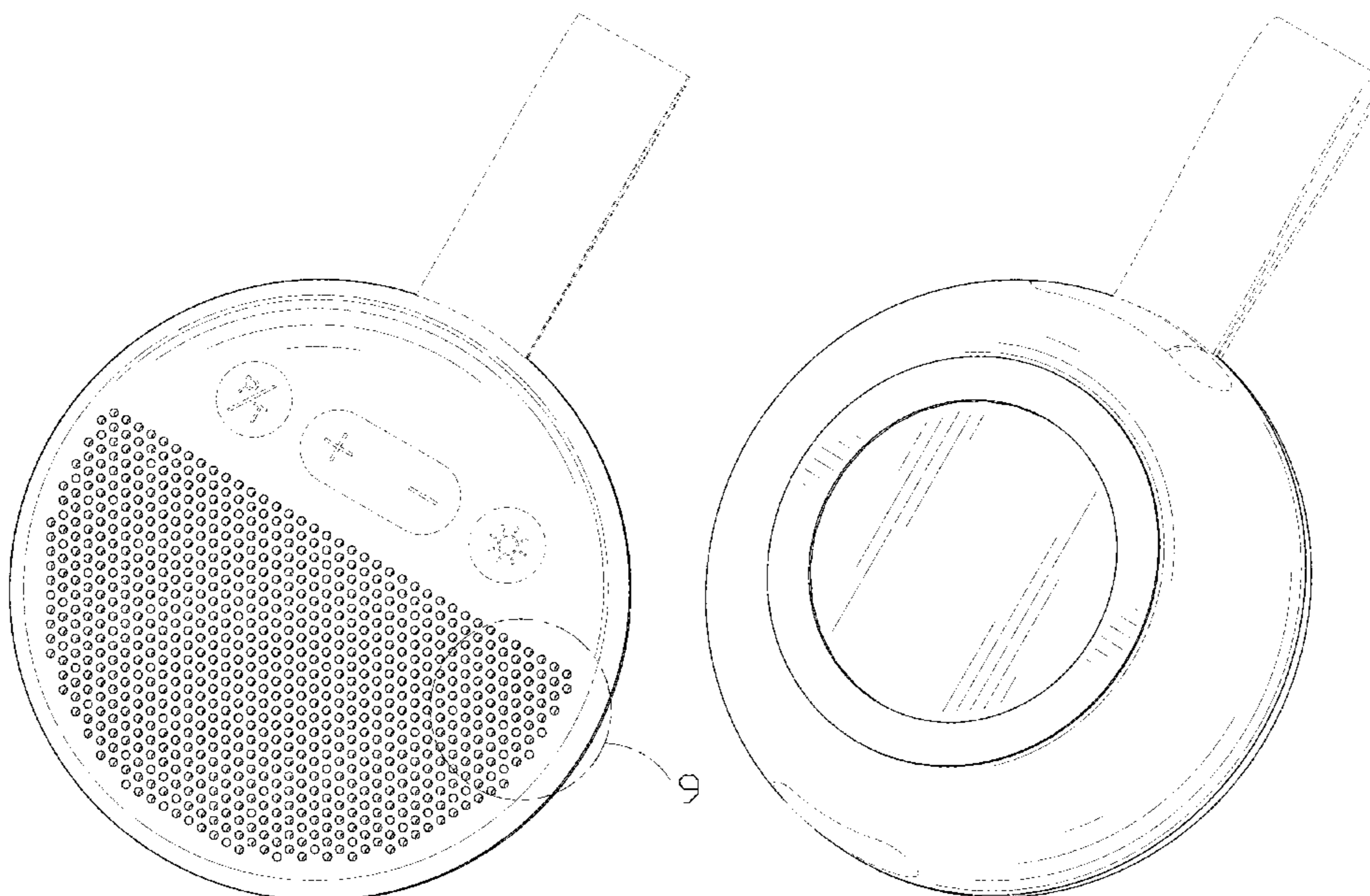
The ornamental design for an audio player, as shown and described.

DESCRIPTION

FIG. 1 is a first perspective view of an audio player showing my new design;
 FIG. 2 is a second perspective view thereof;
 FIG. 3 is a front view thereof;
 FIG. 4 is a back view thereof;
 FIG. 5 is a left side view thereof;
 FIG. 6 is a right side view thereof;
 FIG. 7 is a top view thereof;
 FIG. 8 is a bottom view thereof; and,
 FIG. 9 is an enlarged view of the selected portion in FIG. 1.
 The broken lines shown in the drawings depict portions of the audio player in which the design is embodied that form no part of the claimed design.

1 Claim, 9 Drawing Sheets

- (56) **References Cited**
U.S. PATENT DOCUMENTS
D525,612 S 7/2006 Densho
D629,012 S 12/2010 Lee



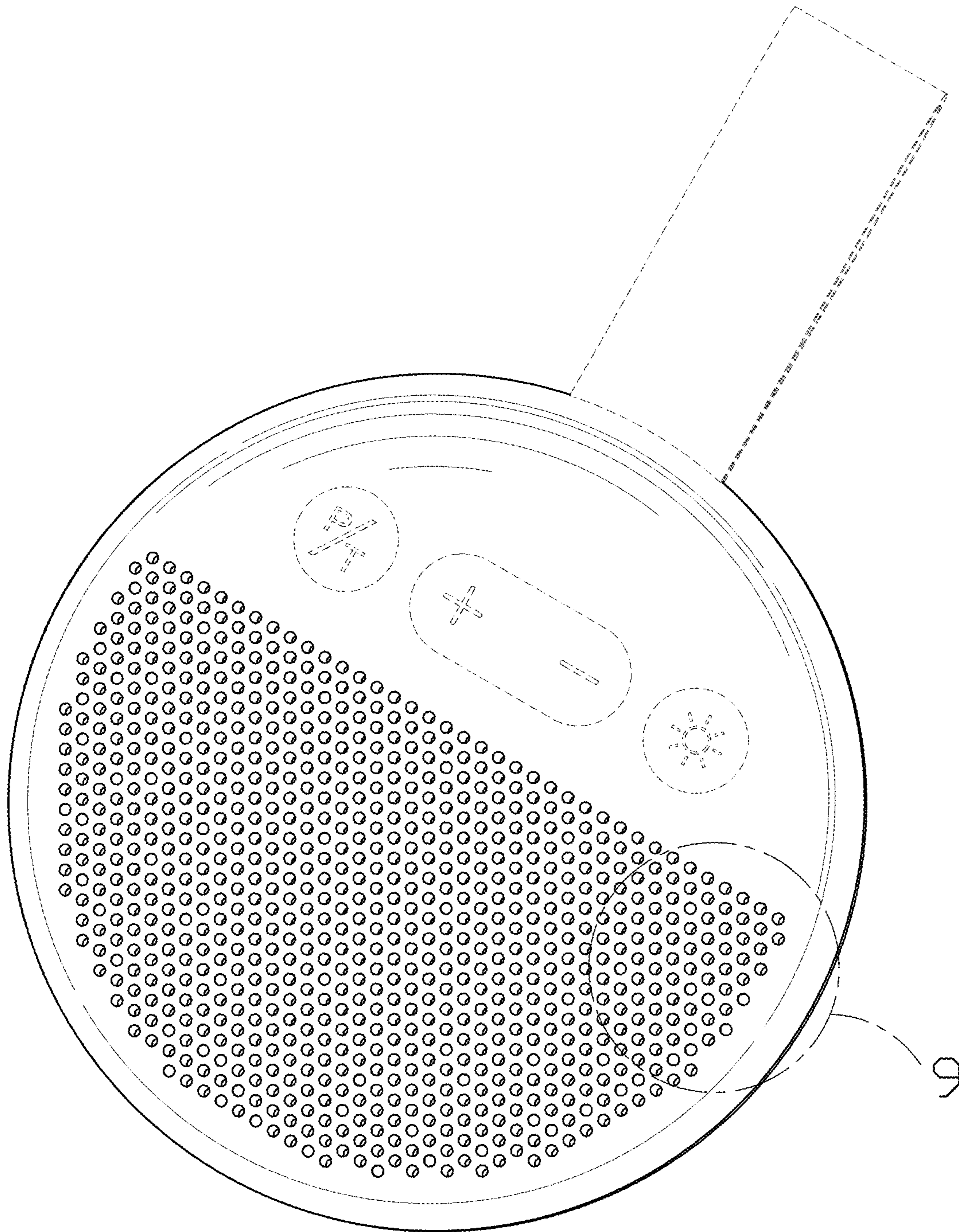


FIG. 1

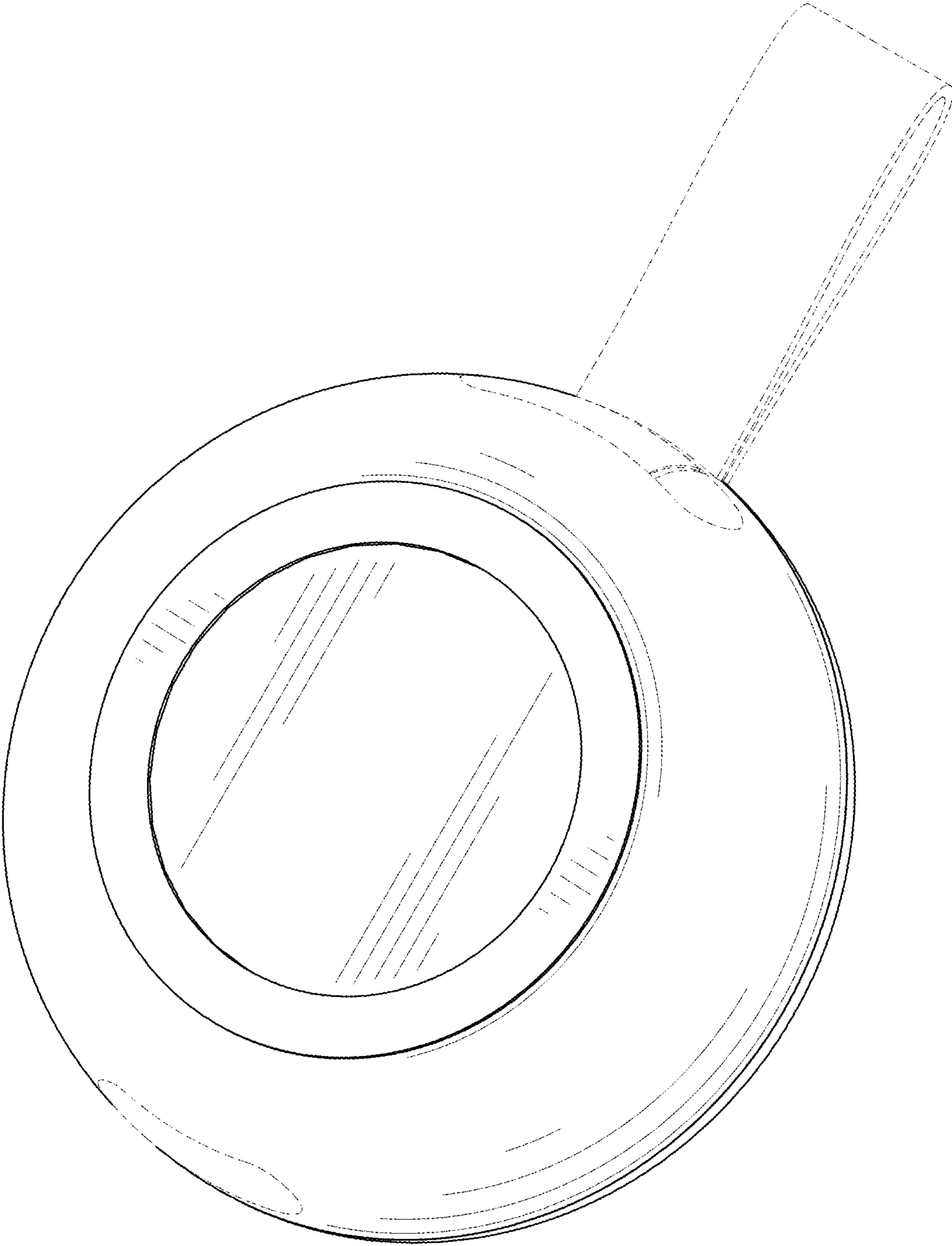


FIG. 2

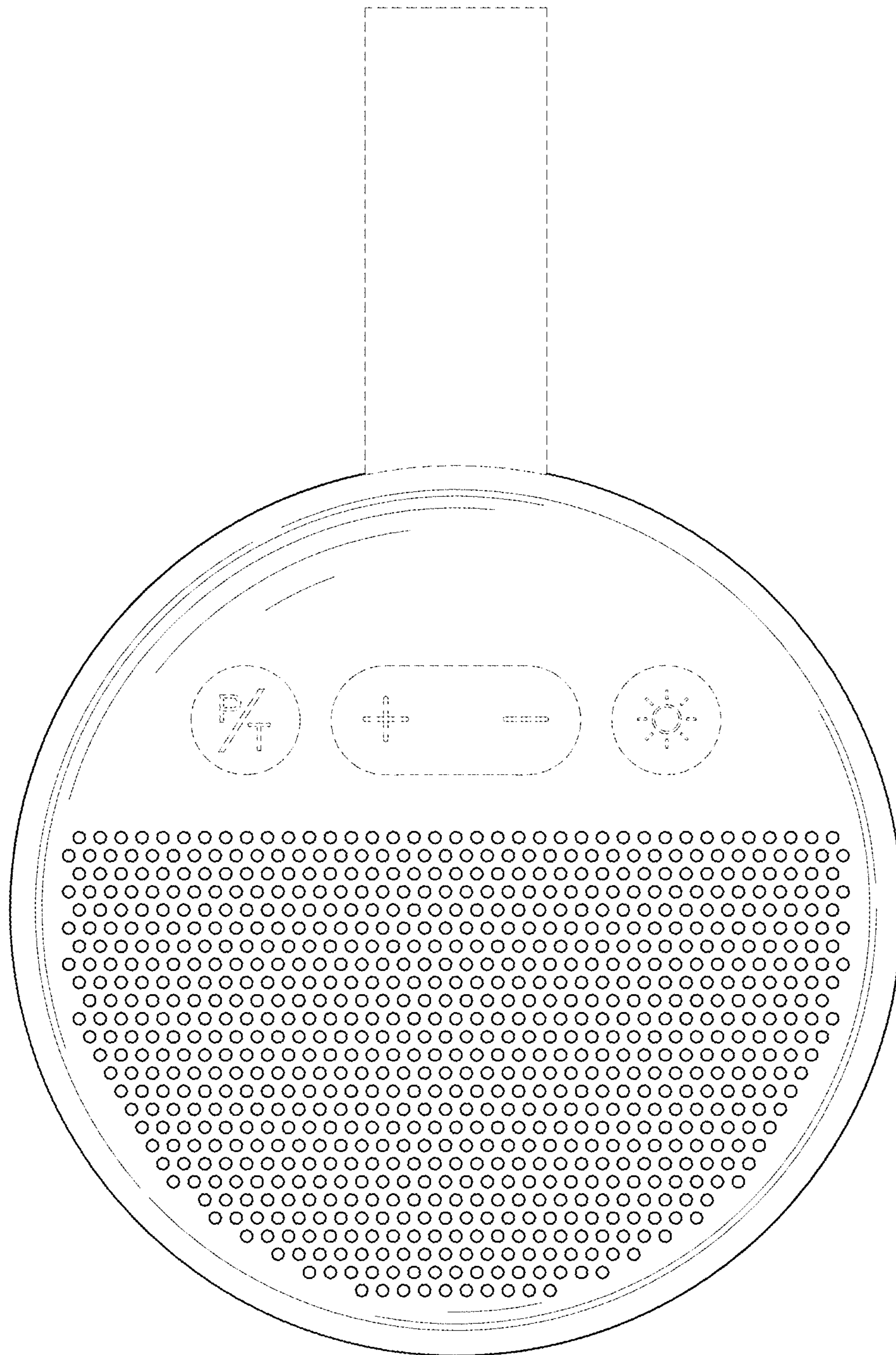


FIG. 3

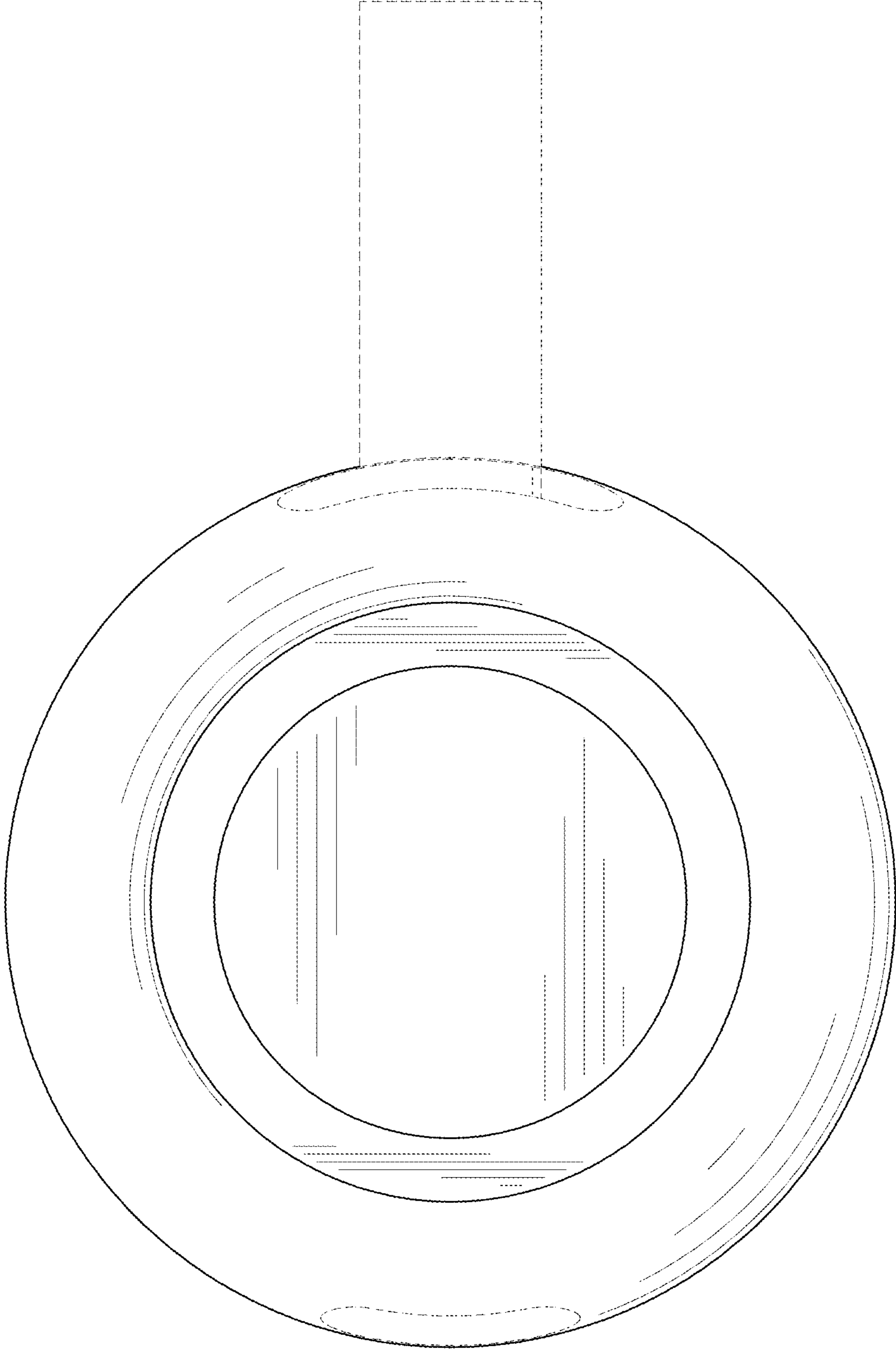


FIG. 4

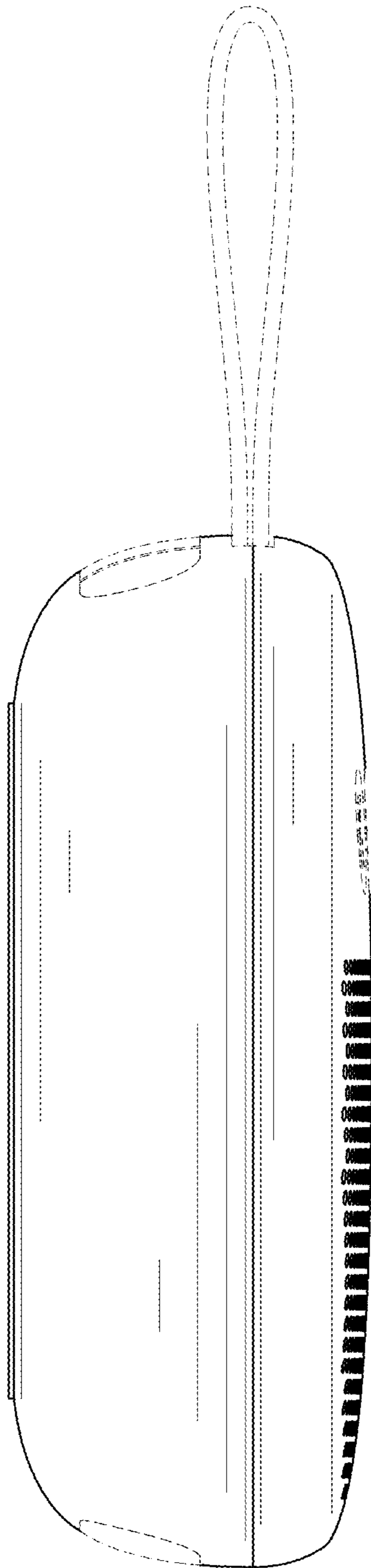


FIG. 5

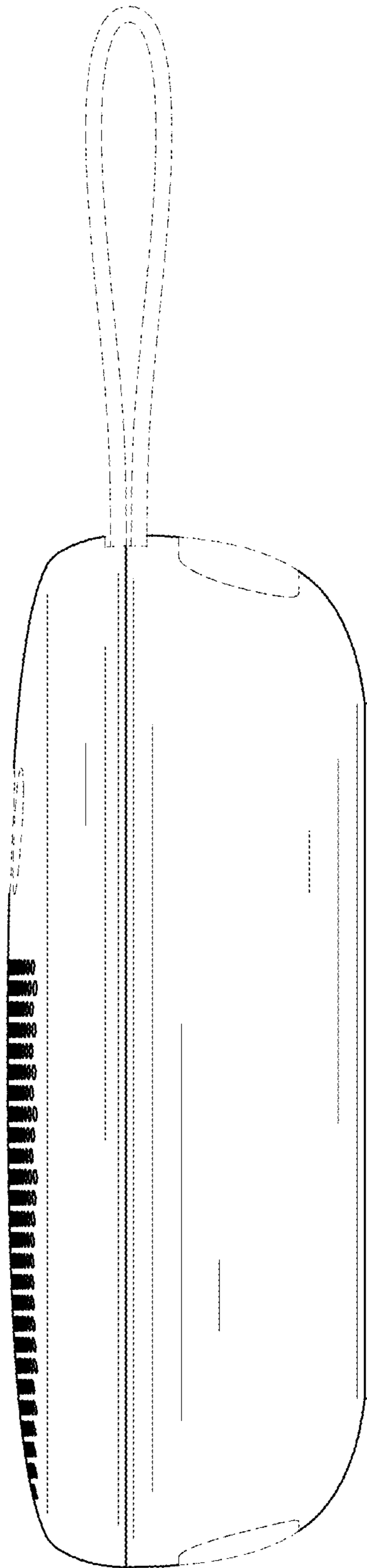


FIG. 6

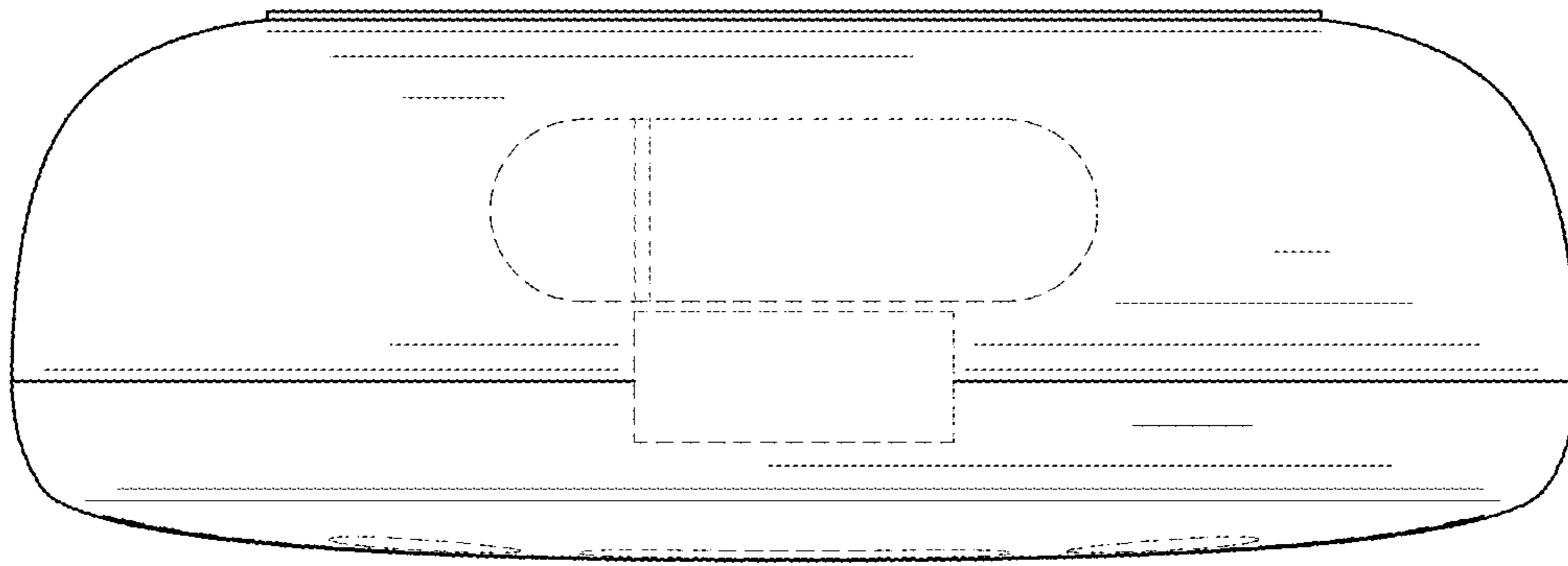


FIG. 7

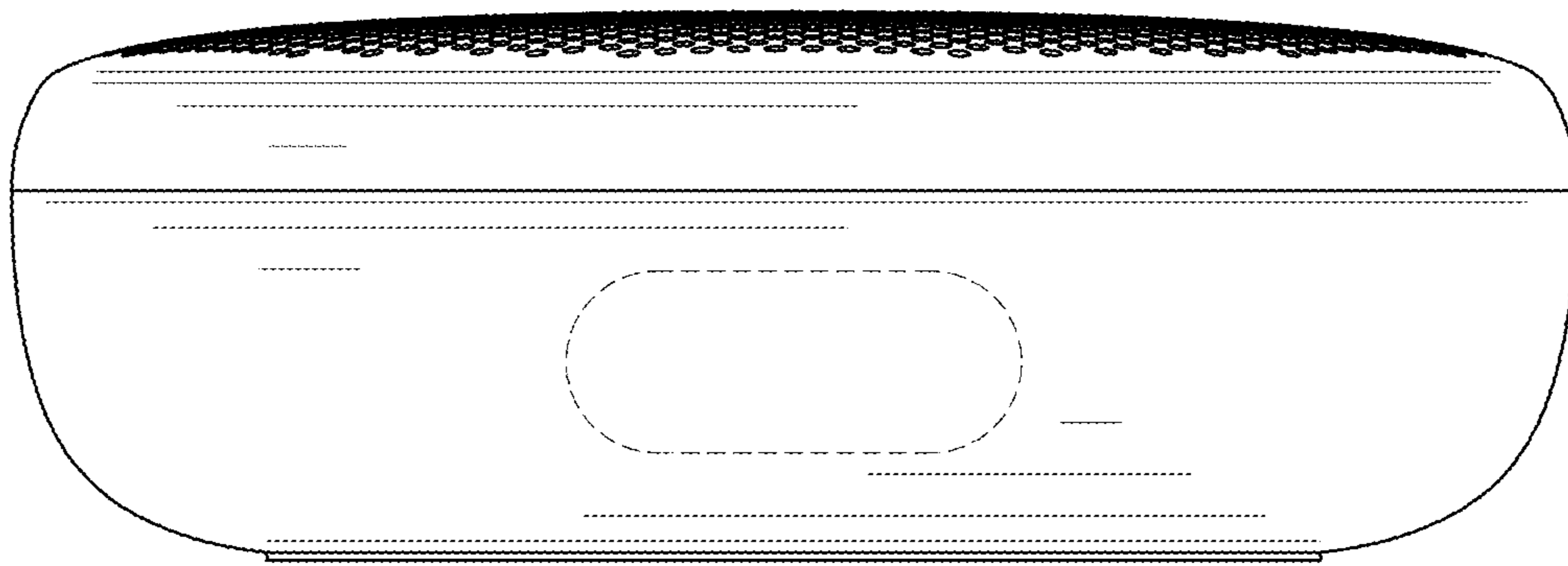


FIG. 8

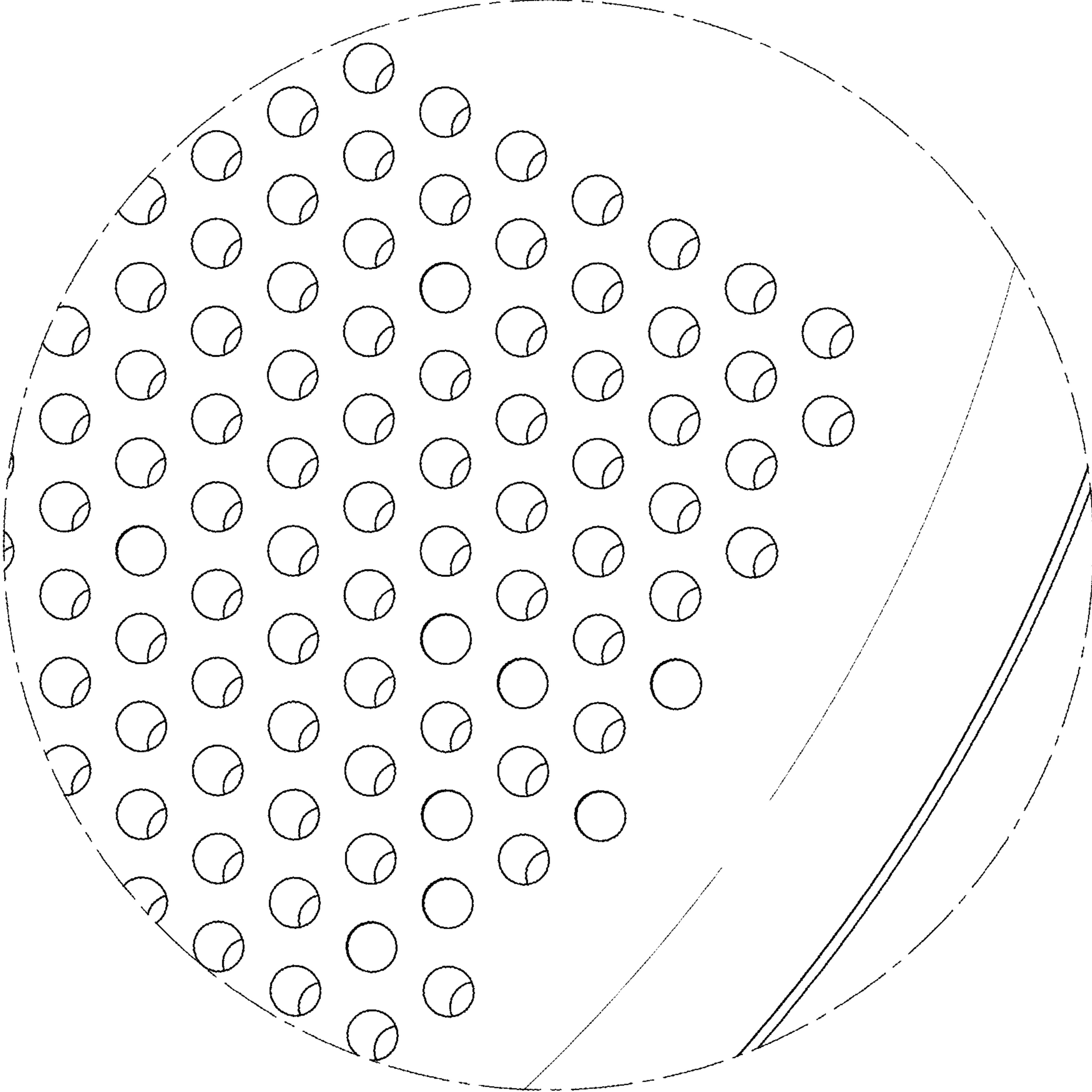


FIG. 9