



US00D884675S

(12) **United States Design Patent** (10) **Patent No.:** **US D884,675 S**
He (45) **Date of Patent:** **** May 19, 2020**

(54) **PORTABLE WIRELESS SPEAKER**

(71) Applicant: **SHENZHEN THOUSANDSHORES TECHNOLOGY CO., LTD.**, Shenzhen (CN)

(72) Inventor: **Ding He**, Shenzhen (CN)

(**) Term: **15 Years**

(21) Appl. No.: **29/669,083**

(22) Filed: **Nov. 5, 2018**

(51) **LOC (12) Cl.** **14-01**

(52) **U.S. Cl.**
USPC **D14/216**

(58) **Field of Classification Search**
USPC D14/167, 168, 170–172, 188, 194–196, D14/204, 209.1, 210–216, 219, 221, 222, D14/224, 239, 496
CPC B60R 11/0217; G06F 1/1688; G10K 9/22; G10K 11/004; H03F 1/327; H04M 1/03; H04M 1/035; H04N 5/642; H04N 21/4852; H04R 1/02; H04R 1/06; H04R 1/021; H04R 1/025; H04R 1/026; H04R 1/028; H04R 1/105; H04R 1/323; H04R 1/403; H04R 1/2803; H04R 1/2834; H04R 5/02; H04R 7/20; H04R 9/06; H04R 9/025; H04R 2201/021; H04R 2400/00; H04R 2400/07; H04R 2499/11; H04R 2499/13; H04R 2499/15; H04S 3/00; H04S 7/30
See application file for complete search history.

(56) **References Cited**

U.S. PATENT DOCUMENTS

D462,952 S * 9/2002 Anderson D14/299
D581,905 S * 12/2008 Solland D14/217

D591,270 S * 4/2009 Jakobson D14/217
D643,400 S * 8/2011 Wahl D14/203.5
D667,403 S * 9/2012 Maus D13/107
D728,510 S * 5/2015 Cai D14/203.5
D730,312 S * 5/2015 Larsen D14/168
D755,754 S * 5/2016 Schwartz D14/212
D760,683 S * 7/2016 Larsen D14/204
D816,064 S * 4/2018 Wei D14/215
D824,366 S * 7/2018 Luo D14/216
D868,736 S * 12/2019 DiTullo D14/210
D869,446 S * 12/2019 Bryant D14/225

* cited by examiner

Primary Examiner — Keli L Hill

(74) *Attorney, Agent, or Firm* — Erson IP (Nelson IP)

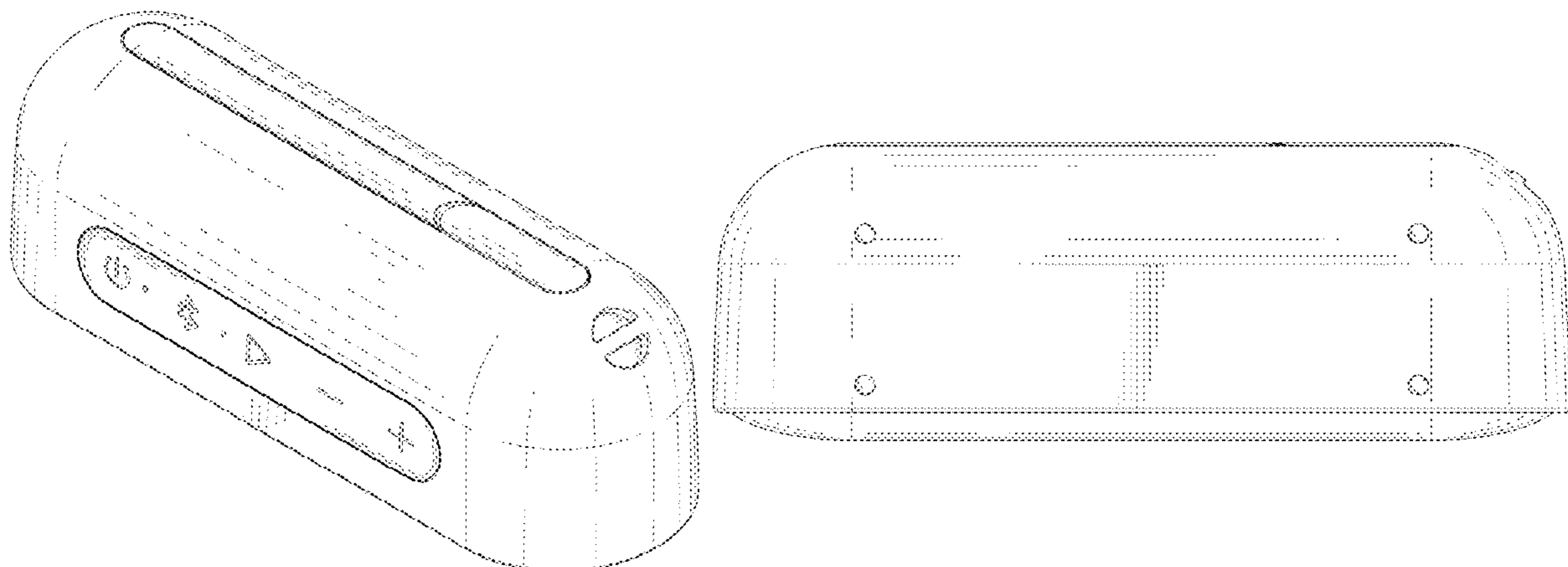
(57) **CLAIM**

The ornamental design for a portable wireless speaker, as shown and described.

DESCRIPTION

FIG. 1 is a perspective view of a portable wireless speaker showing my new design;
FIG. 2 is another perspective view thereof;
FIG. 3 is a front view thereof;
FIG. 4 is a rear view thereof;
FIG. 5 is a left side view thereof;
FIG. 6 is a right side view thereof;
FIG. 7 is a top plan view thereof; and,
FIG. 8 is a bottom plan view thereof.
The broken lines are for the purposes of illustrating portions of the portable wireless speaker and form no part of the claimed design.

1 Claim, 8 Drawing Sheets



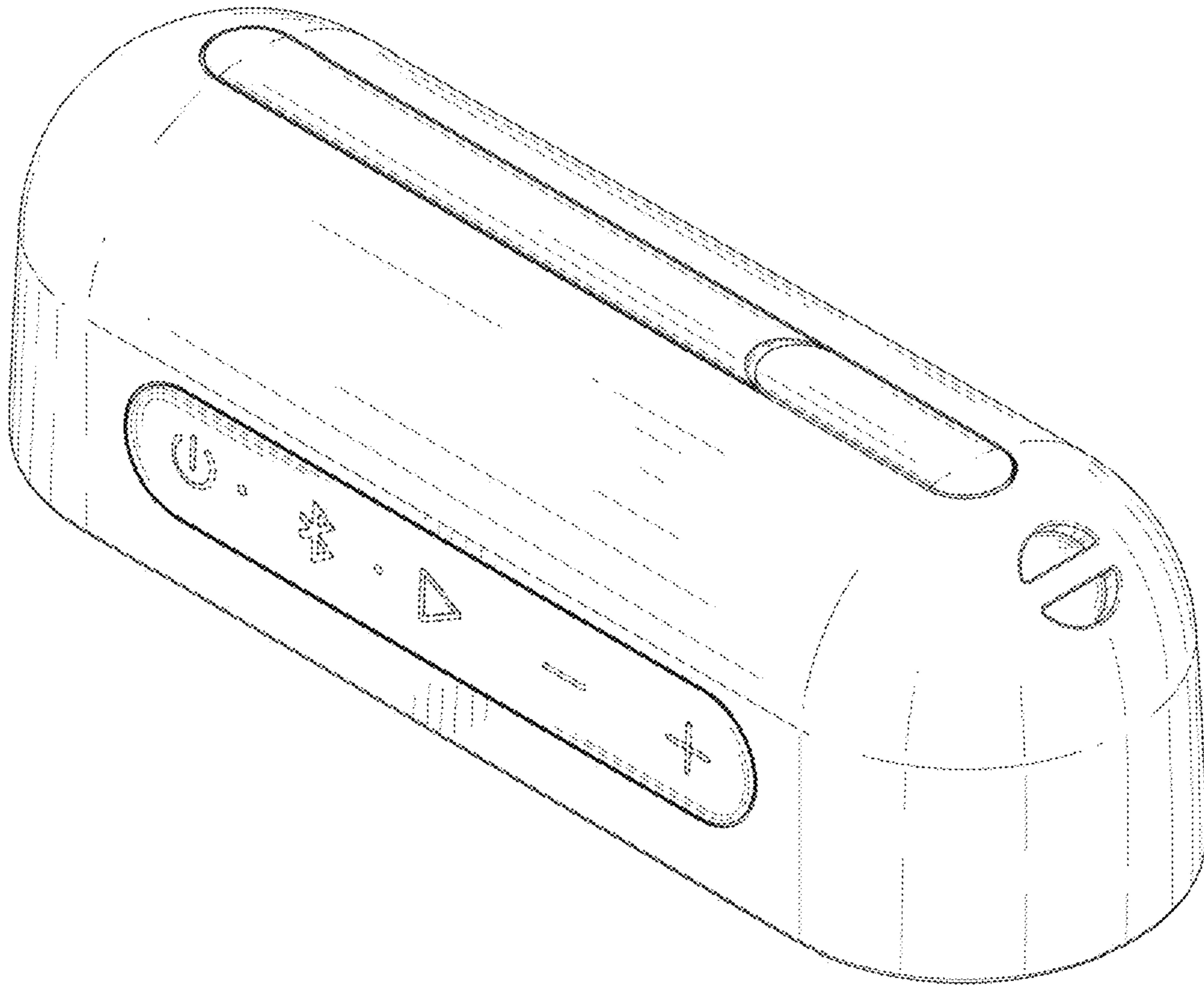


Fig. 1

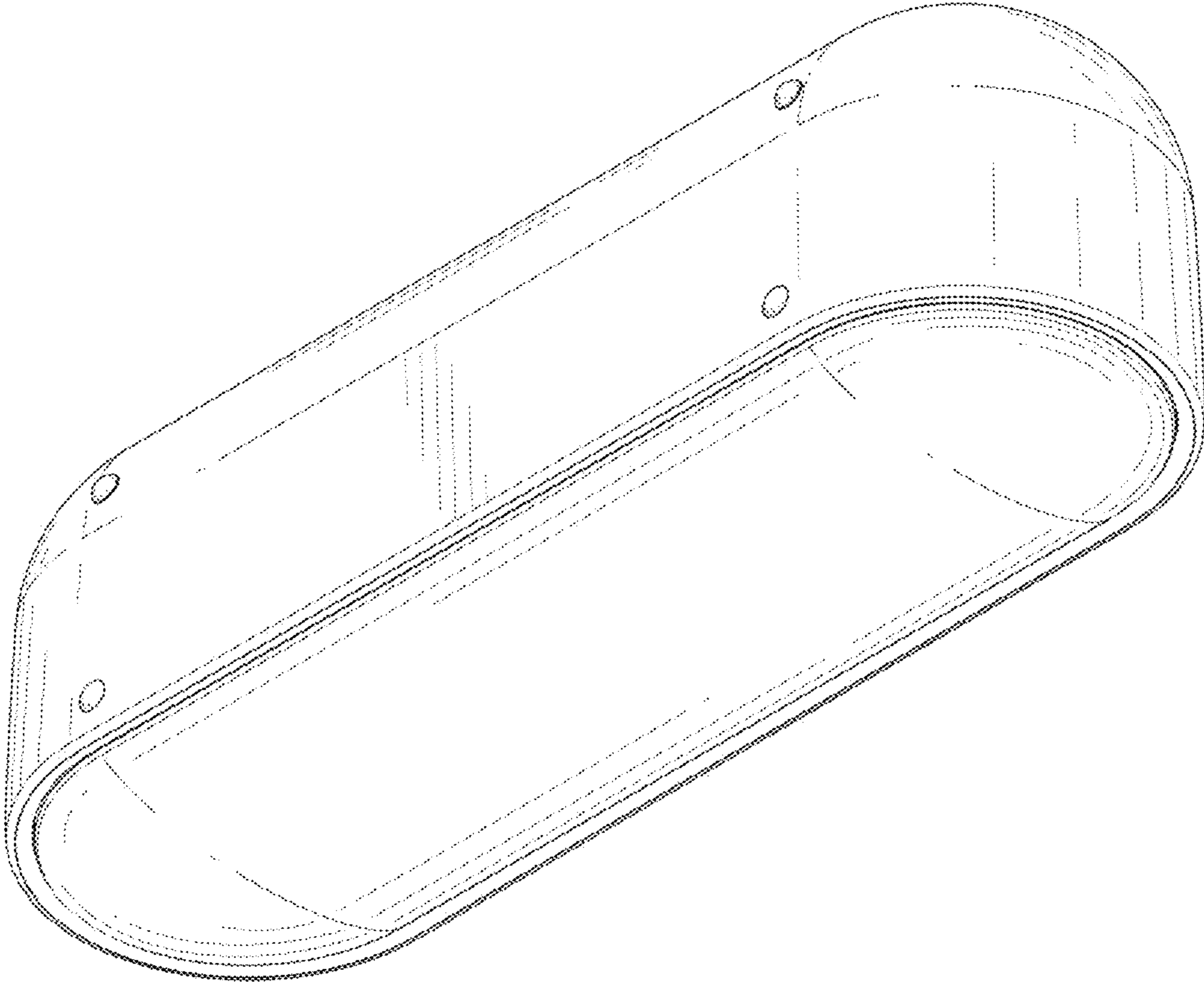


Fig. 2

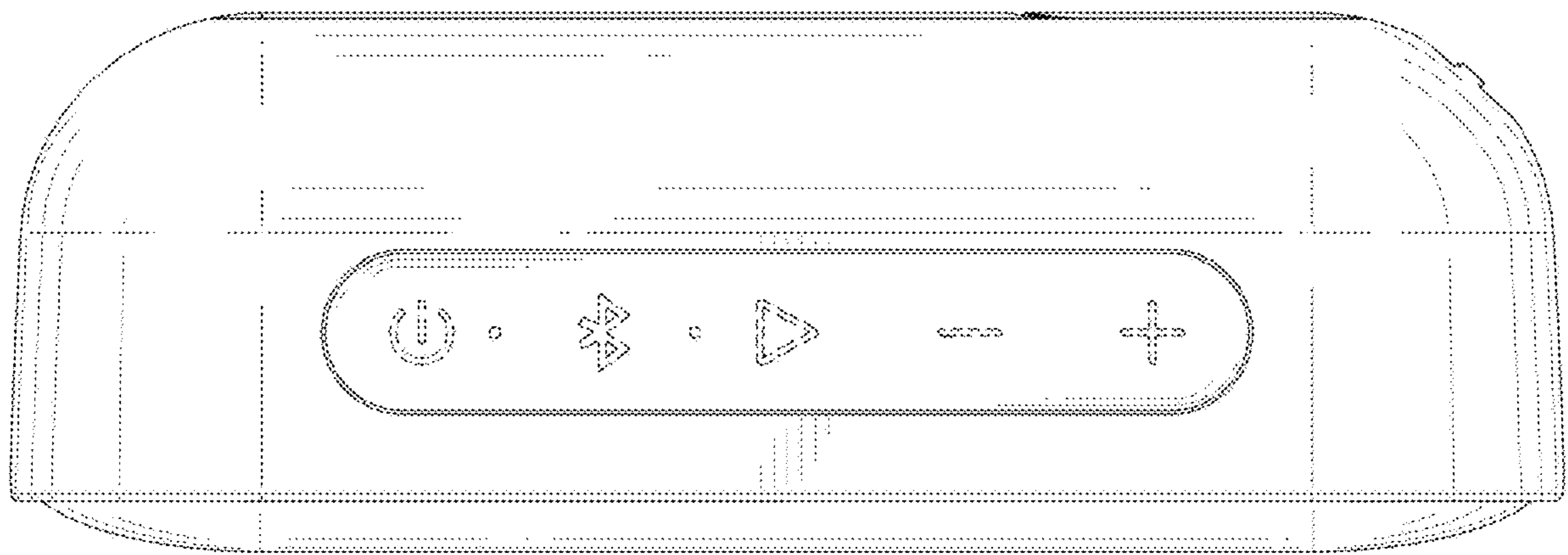


Fig. 3

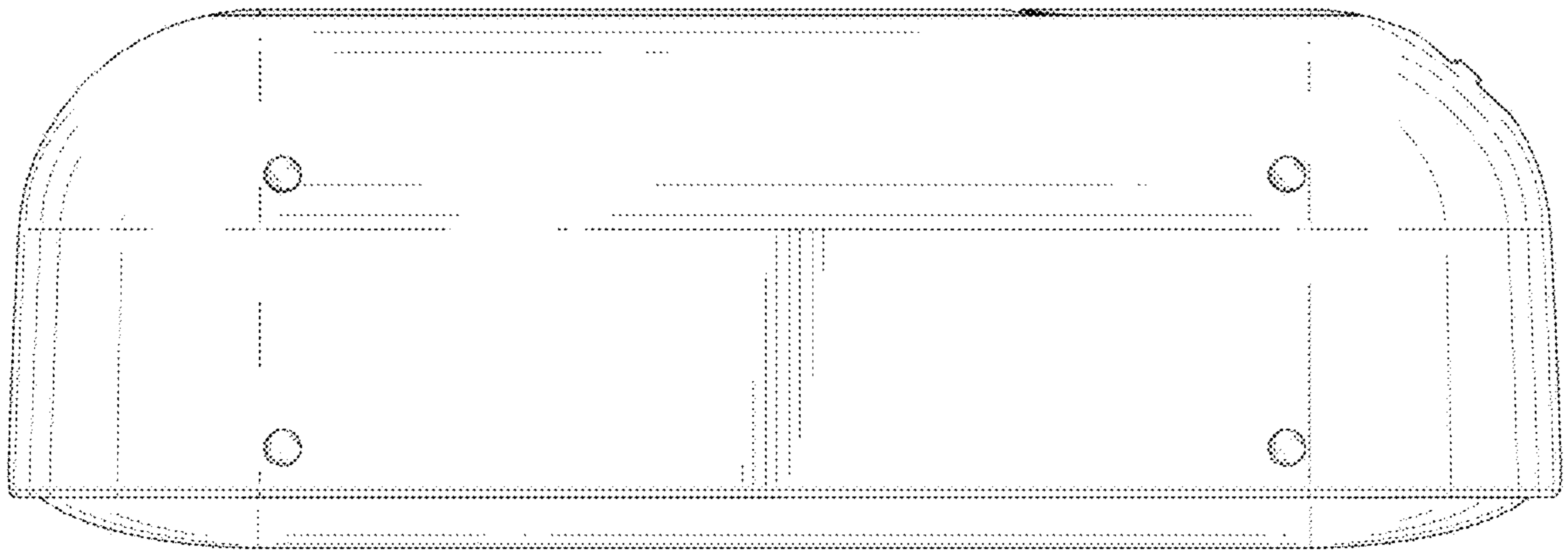


Fig. 4

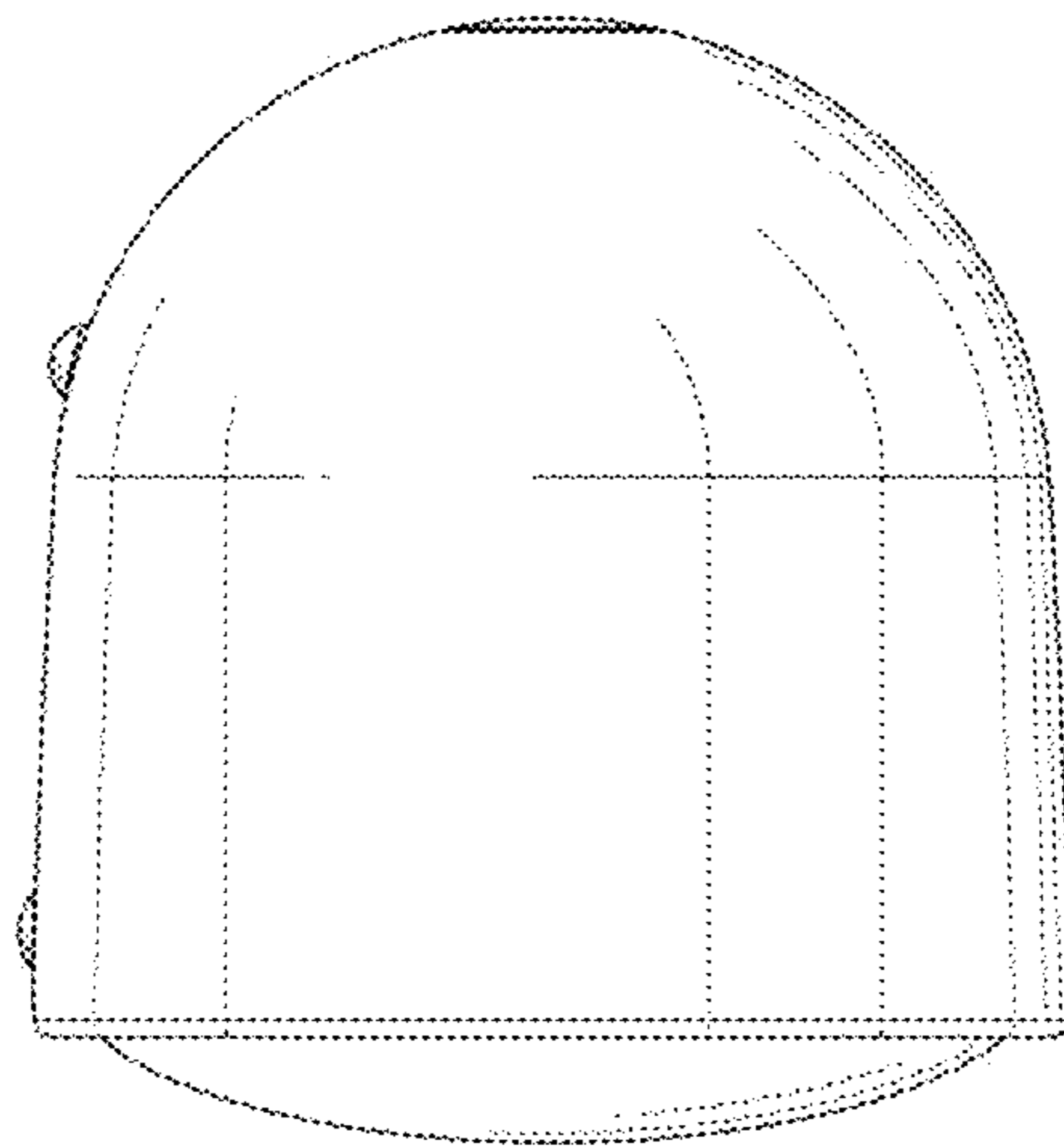


Fig. 5

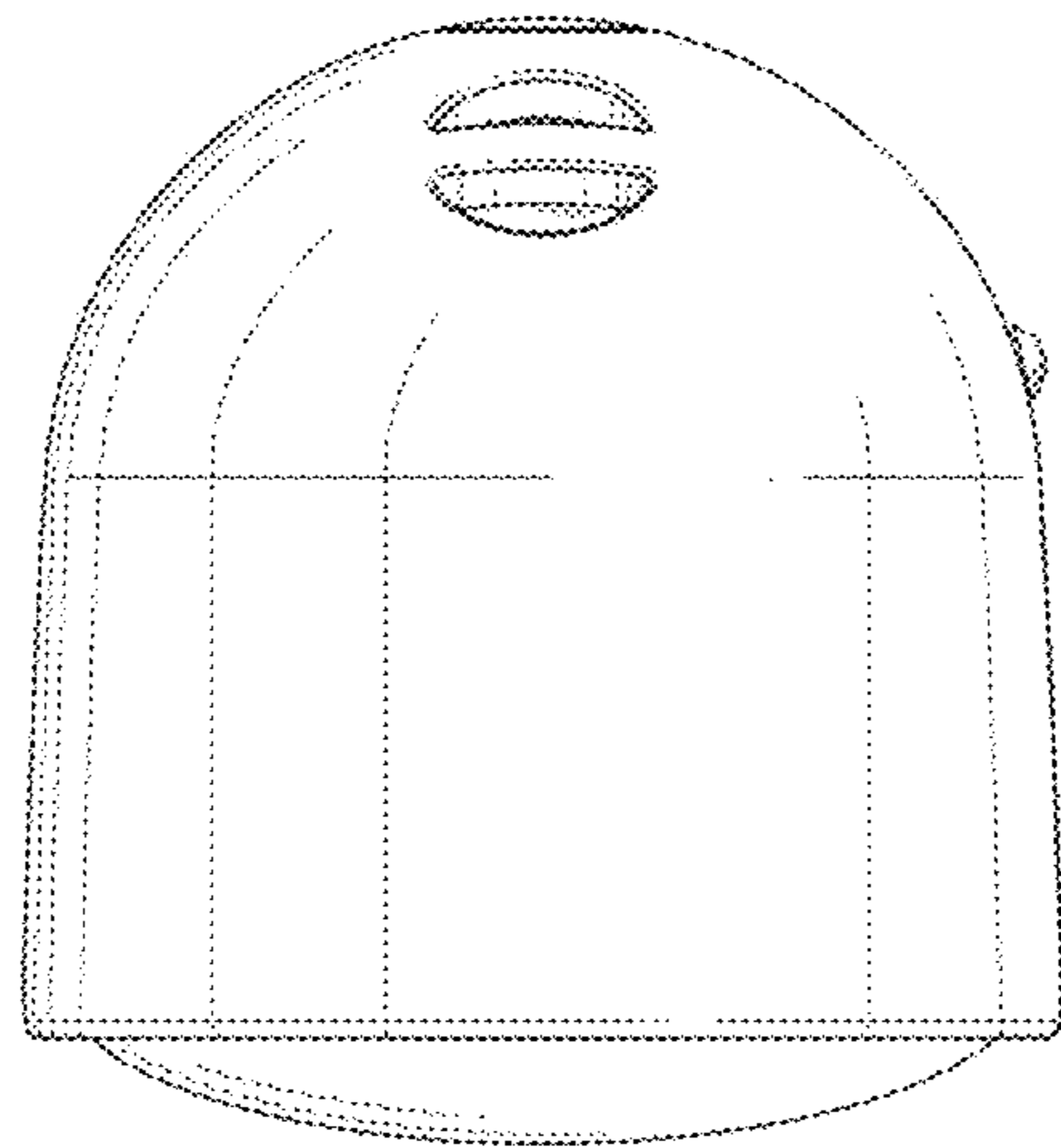


Fig. 6

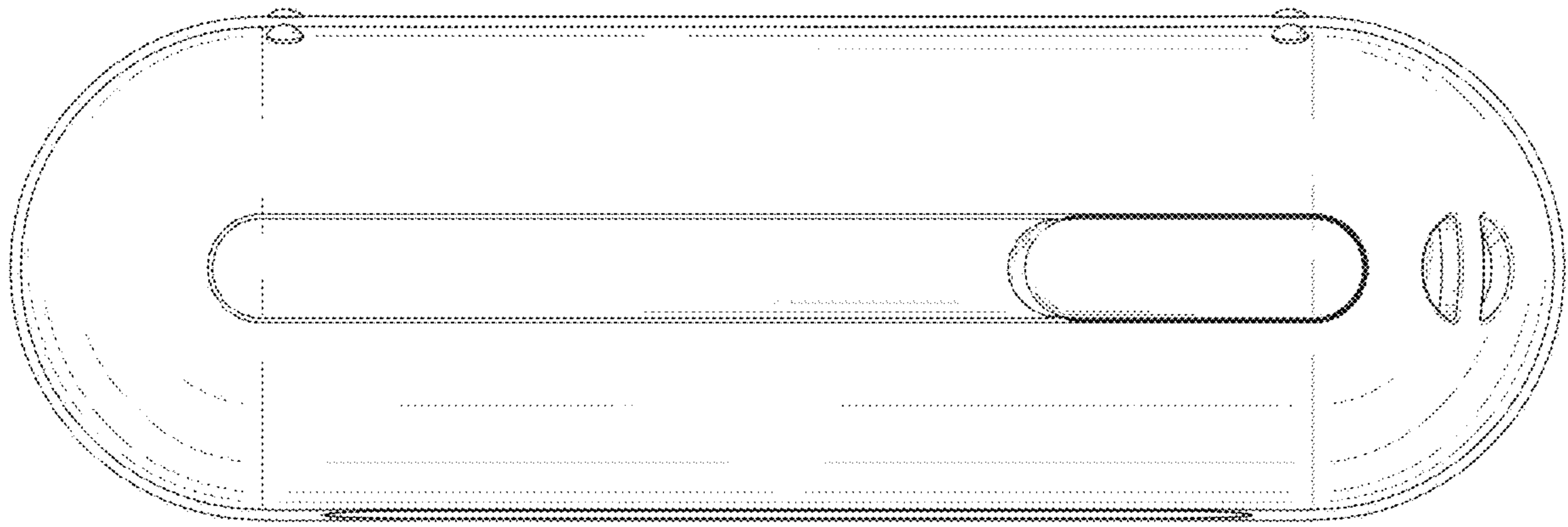


Fig. 7

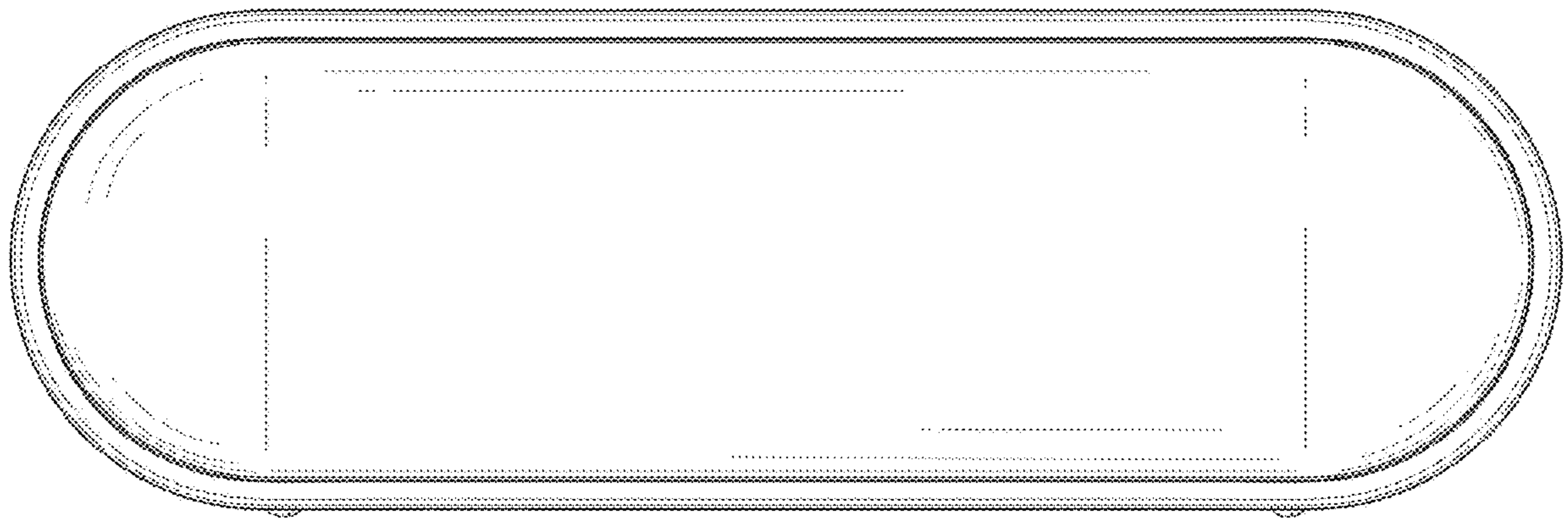


Fig. 8