



US00D884673S

(12) **United States Design Patent** (10) **Patent No.:** **US D884,673 S**
Han et al. (45) **Date of Patent:** **** May 19, 2020**

(54) **ELECTRONIC DEVICE**

(71) Applicant: **Amazon Technologies, Inc.**, Seattle, WA (US)
(72) Inventors: **Sun Joo Han**, San Francisco, CA (US); **Christopher Green**, San Francisco, CA (US); **Marc Rene Walliser**, San Francisco, CA (US); **Giles David Matthew McWilliam**, San Francisco, CA (US)
(73) Assignee: **Amazon Technologies, Inc.**, Seattle, WA (US)

(**) Term: **15 Years**

(21) Appl. No.: **29/607,451**

(22) Filed: **Jun. 13, 2017**

(51) **LOC (12) Cl.** **14-02**

(52) **U.S. Cl.**
USPC **D14/216**; D14/356; D14/171; D10/2

(58) **Field of Classification Search**
USPC D14/167, 168, 170–172, 188, 194–196, D14/204, 209.1, 210–216, 219, 221, 222, D14/224, 239, 496, 139–131, 140.11, D14/141.3, 144, 356, 371, 388; D10/1, D10/2, 15, 22

CPC B60R 11/0217; G06F 1/1688; G10K 9/22; G10K 11/004; H03F 1/327; H04M 1/03; H04M 1/035; H04N 5/642; H04N 21/4852; H04R 1/02; H04R 1/06; H04R 1/021; H04R 1/025; H04R 1/026; H04R 1/028; H04R 1/105; H04R 1/323; H04R 1/403; H04R 1/2803; H04R 1/2834; H04R 5/02; H04R 7/20; H04R 9/06; H04R 9/025; H04R 2201/021; H04R 2400/00; H04R 2400/07; H04R 2499/11; H04R 2499/13; H04R 2499/15; H04S 3/00; H04S 7/30

See application file for complete search history.

(56) **References Cited**

U.S. PATENT DOCUMENTS

D514,548 S *	2/2006	Chan	D14/216
D525,880 S *	8/2006	Okamura	D10/15
D540,291 S *	4/2007	Heath	D14/137
D541,228 S *	4/2007	Thursfield	D13/168
D600,569 S *	9/2009	Sadler	D10/15
D639,273 S *	6/2011	Chow	D14/209.1
D659,680 S *	5/2012	Kim	D14/216
D712,378 S *	9/2014	Mackiewicz	D14/216
D743,941 S *	11/2015	Patsis	D14/216
D756,326 S *	5/2016	Holzer	D14/171
D765,617 S *	9/2016	Mackiewicz	D14/216

(Continued)

OTHER PUBLICATIONS

The Canadian Office Action dated Jul. 23, 2018, for Canadian Application No. 178243, a counterpart Application of the U.S. Appl. No. 29/607,45, 1page.

(Continued)

Primary Examiner — Keli L Hill

(74) *Attorney, Agent, or Firm* — Lee & Hayes, P.C.

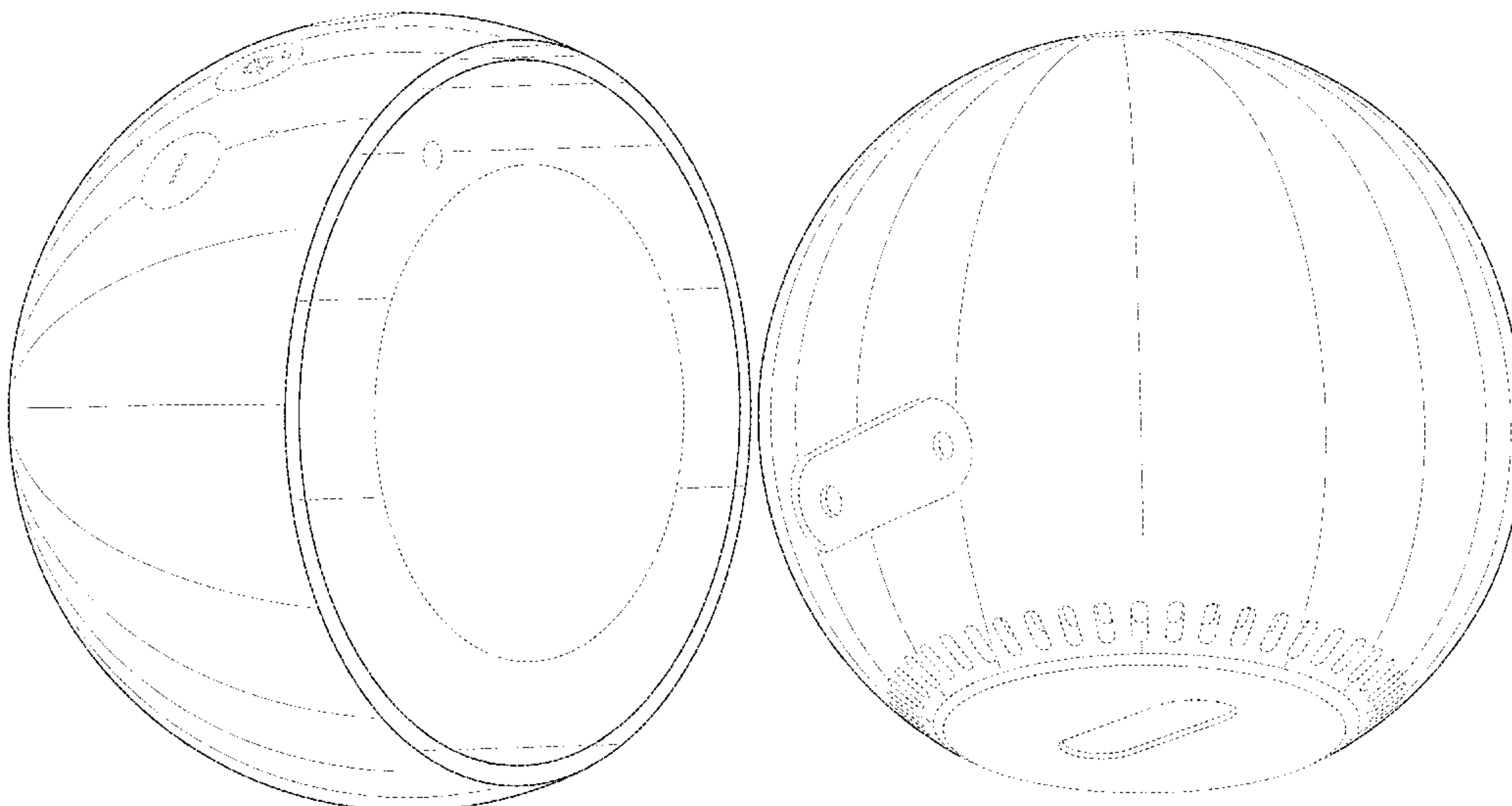
(57) **CLAIM**

The ornamental design for an electronic device, as shown and described.

DESCRIPTION

FIG. 1 is a top perspective view of an electronic device; FIG. 2 is a bottom perspective view thereof; FIG. 3 is a front view thereof; FIG. 4 is a back view thereof; FIG. 5 is a left-side view thereof; FIG. 6 is a right-side view thereof; FIG. 7 is a top view thereof; and, FIG. 8 is a bottom view thereof. The broken lines depict portions of the electronic device that form no part of the claimed design.

1 Claim, 8 Drawing Sheets



(56)

References Cited

U.S. PATENT DOCUMENTS

D766,215 S *	9/2016	Mackiewicz	D14/216
D780,151 S *	2/2017	Jeon	D14/171
D793,363 S *	8/2017	Zhang	D14/216
D793,869 S *	8/2017	Jeon	D10/2
D801,307 S *	10/2017	Kim	D14/216
D806,066 S *	12/2017	McWilliam	D14/314
D811,392 S *	2/2018	Lu	D14/358
D829,688 S *	10/2018	Tanaka	D14/216

OTHER PUBLICATIONS

The Chinese Office Action dated Jul. 31, 2018 for Chinese design application No. 201730600687.7, a counterpart foreign application of design U.S. Appl. No. 29/607,451, 1 page.
 The Design Gazette of State Intellectual Property Office of the People's Republic of China (SIPO) Nov. 17, 2010 No. 10-46. A Design of "Digital Frame" (Publication No. CN301384976S) which was accepted on Jan. 13, 2018 by Information Dissemination and Policy Promotion Division of the Japan Patent Office (JPO), (JPO

Design Division Publicly Known Document No. HH22010014), 1 page.
 Translated the Japanese Office Action dated Jul. 27, 2018 for Japanese design application No. 2017-025890, a counterpart foreign application of design U.S. Appl. No. 29/607,451, 4 pages.
 The design of Japanese Design Registration No. 1536726 disclosed in the Design Gazette of Japan Patent Office (JPO), Oct. 2, 2015, 6 pages.
 The Indian Office Action dated Jan. 8, 2018 for Indian design application No. 300142, a counterpart foreign application fo design U.S. Appl. No. 29/607,451, 2 pages.
 A Design shown in the Design Gazette of State Intellectual Property Office of the People's Republic of China No. 39-37, Sep. 16, 2009 (JPO Design Division Publicly Known Document No. HH21007065), 1 page.
 Translated the Japanese Office Action dated Nov. 16, 2018 for Japanese design application No. 2017-025890, a counterpart foreign application of design U.S. Appl. No. 29/607,451, 4 pages.
 Design shown in "Unique Innovative Style" P63, JPO Design Division Publicly Known Document No. HD24005547) 1 page.

* cited by examiner

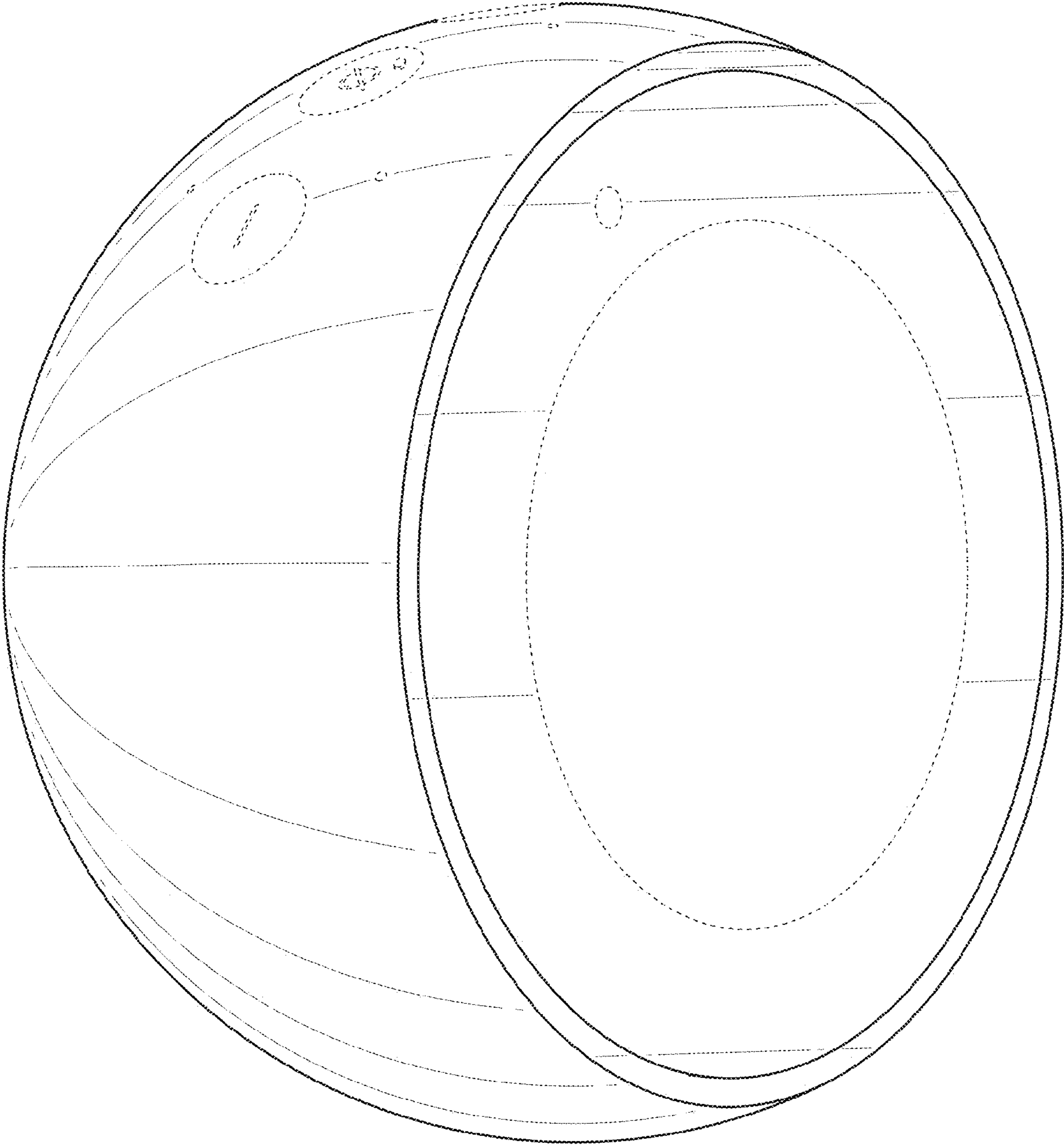


FIG. 1

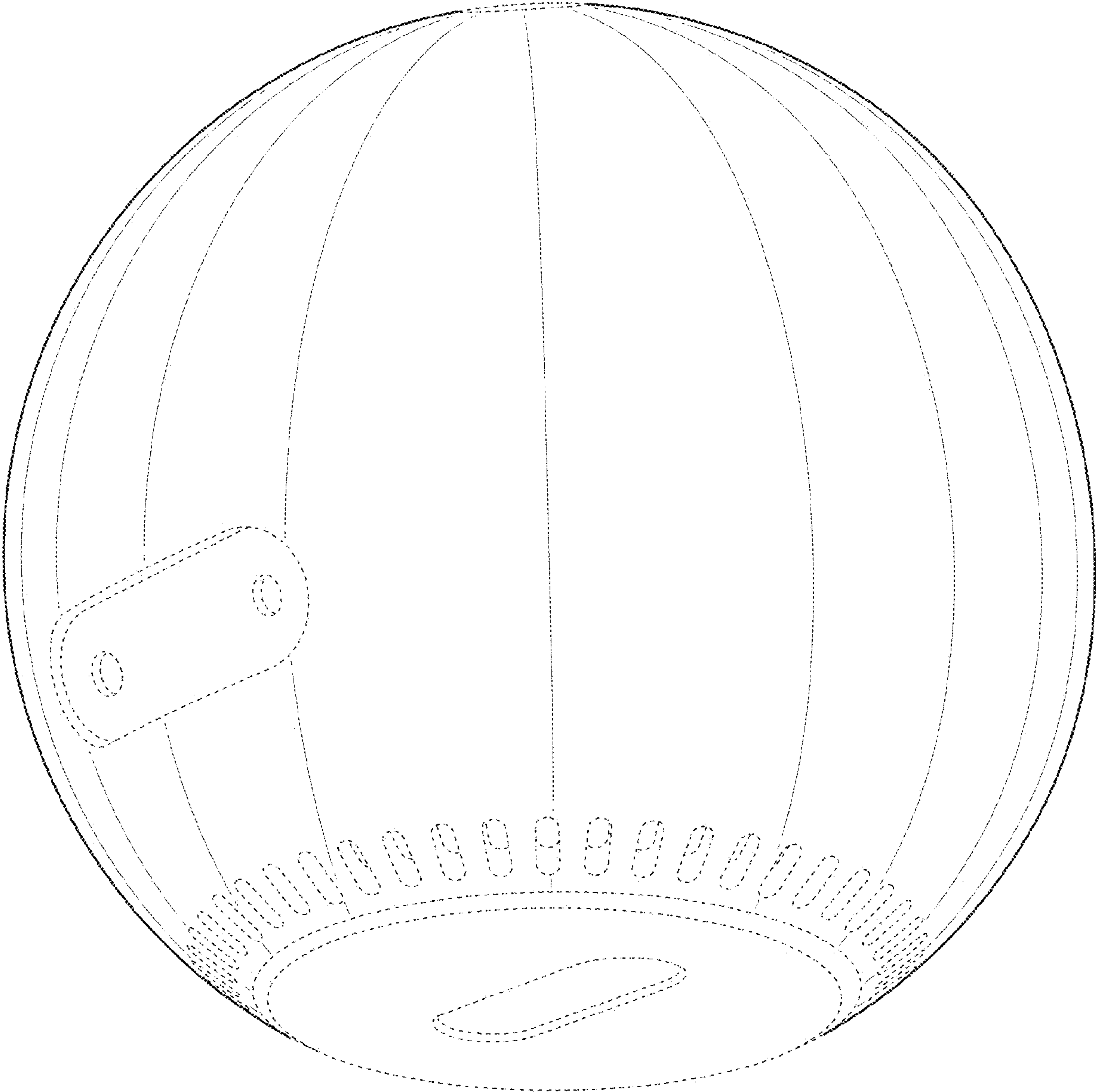


FIG. 2

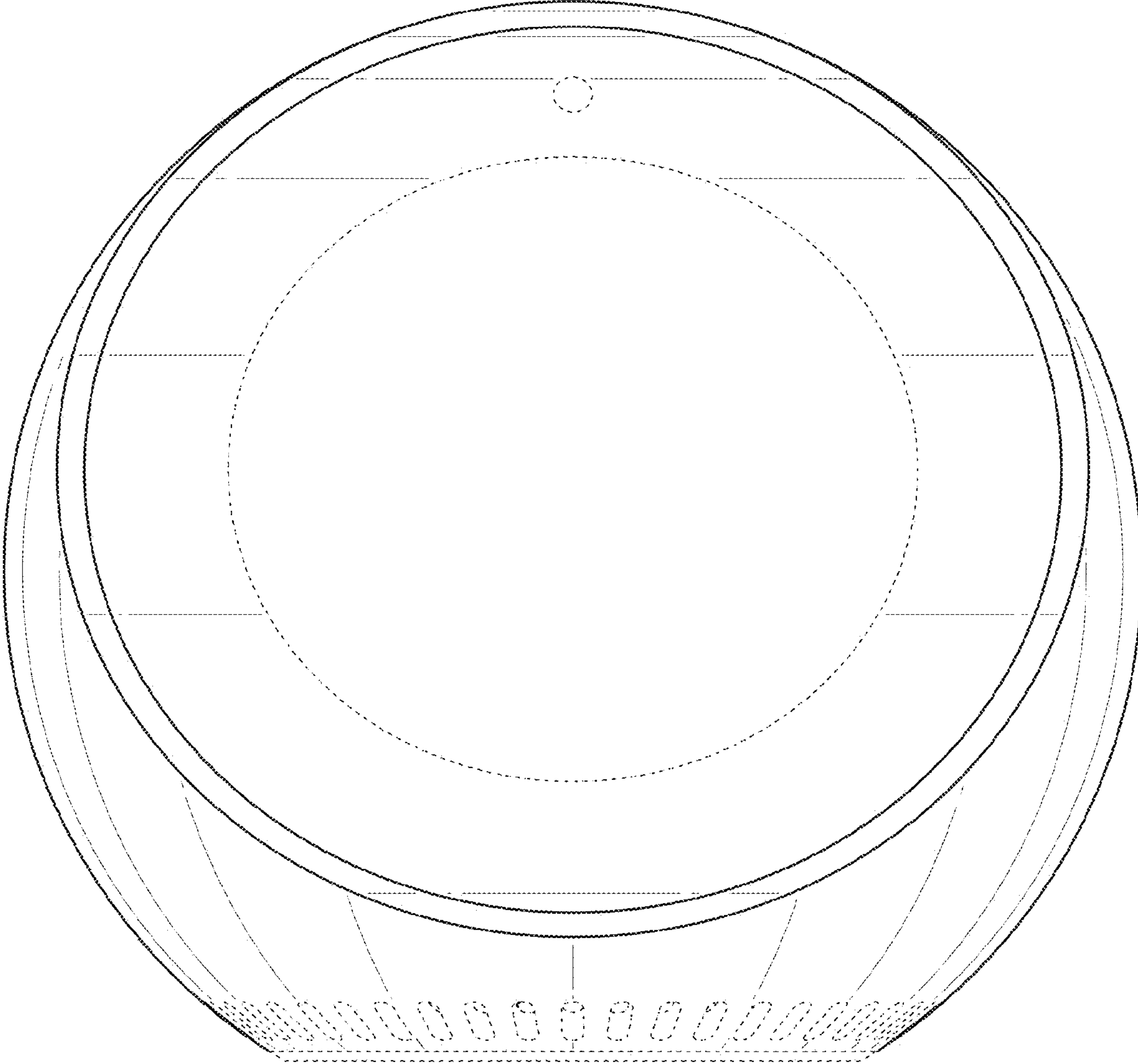


FIG. 3

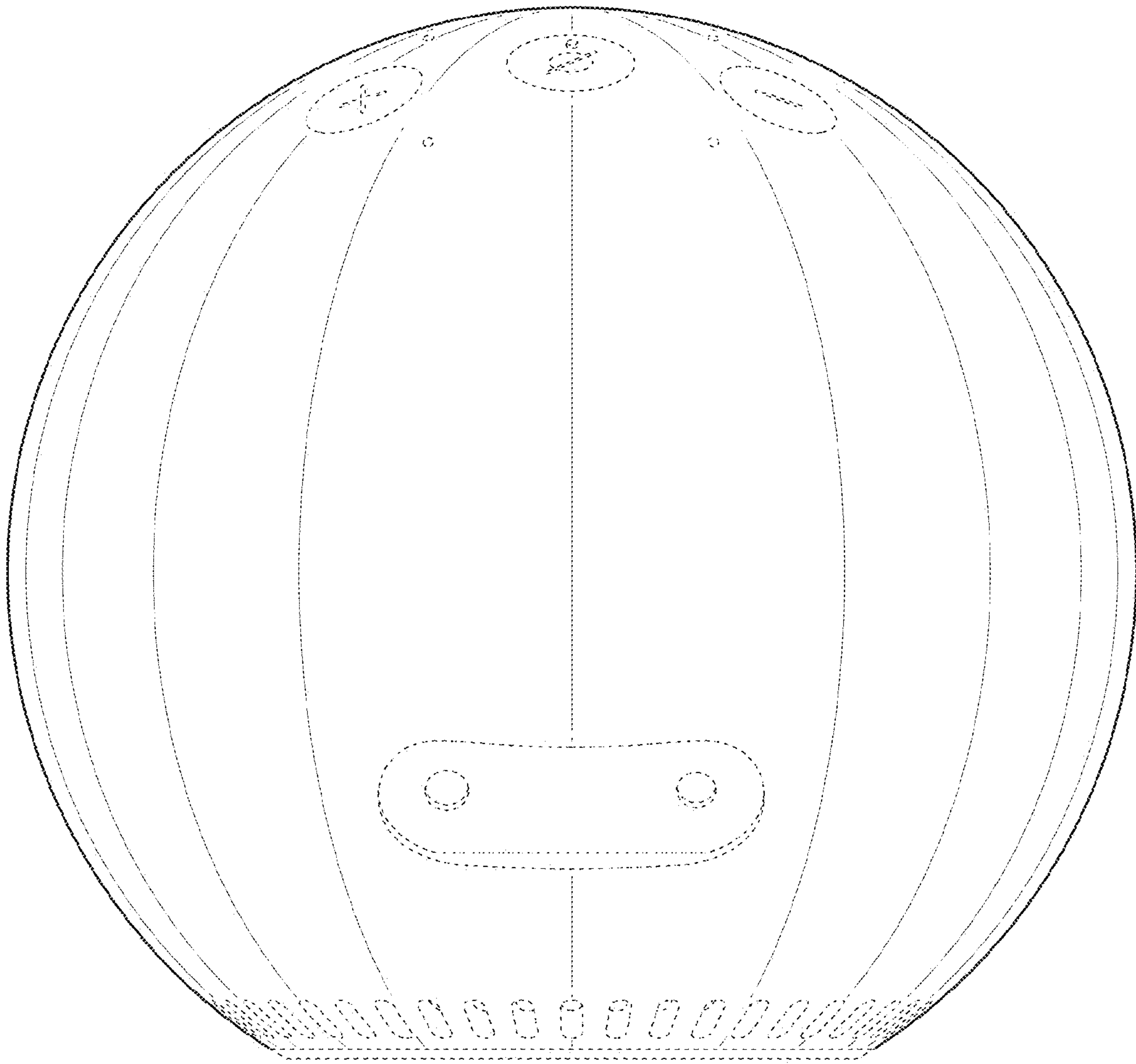


FIG. 4

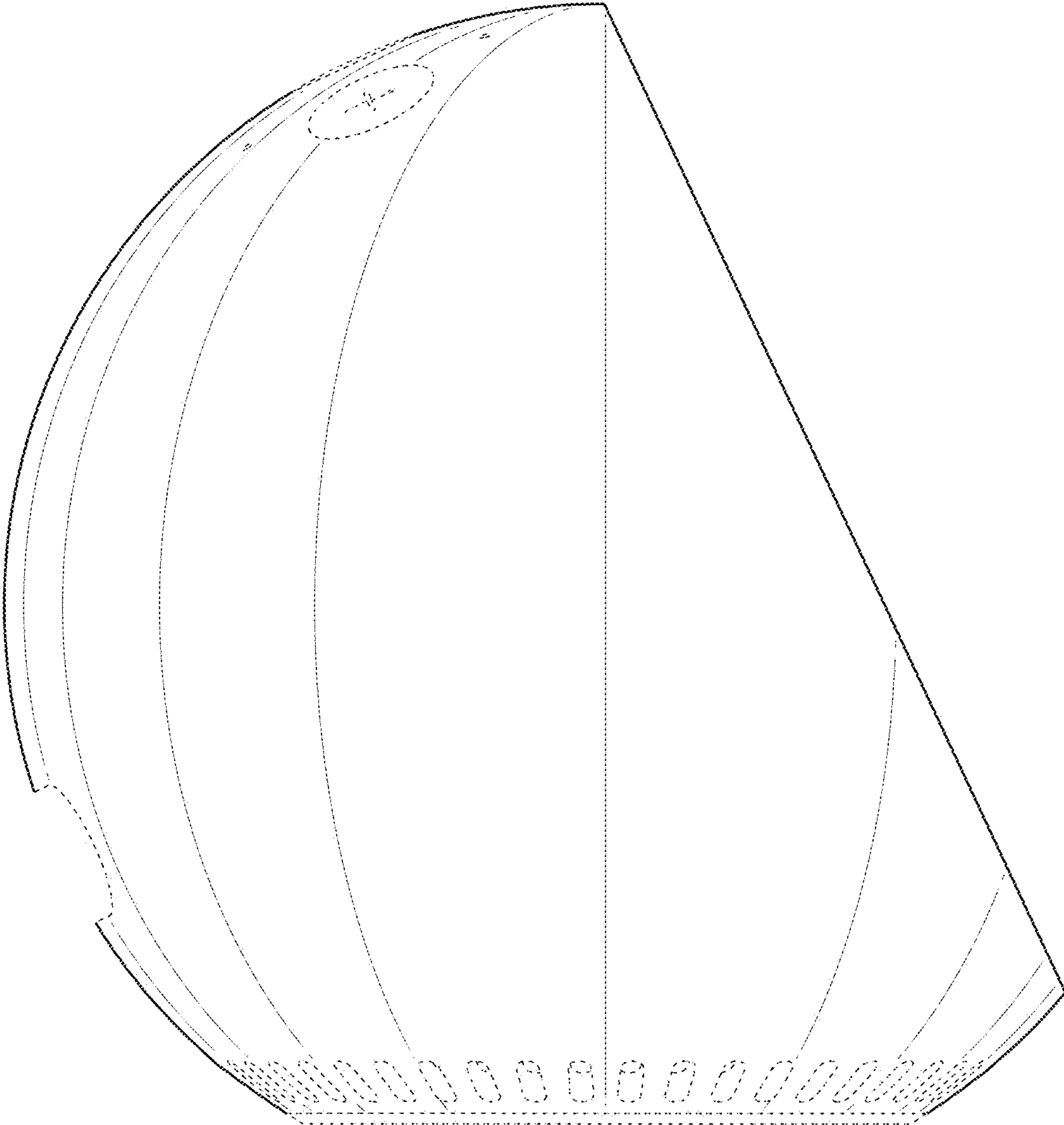


FIG. 5

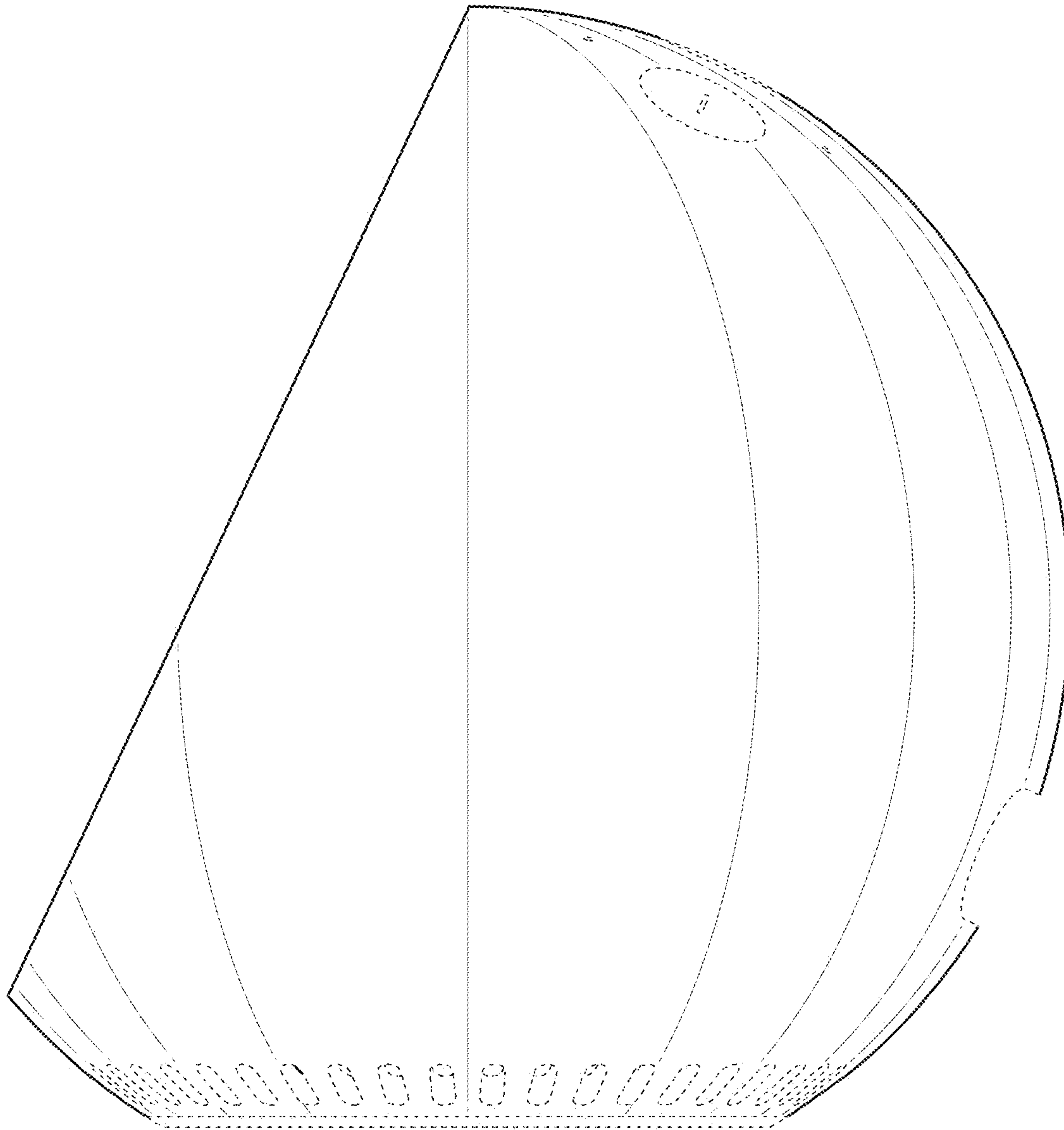


FIG. 6

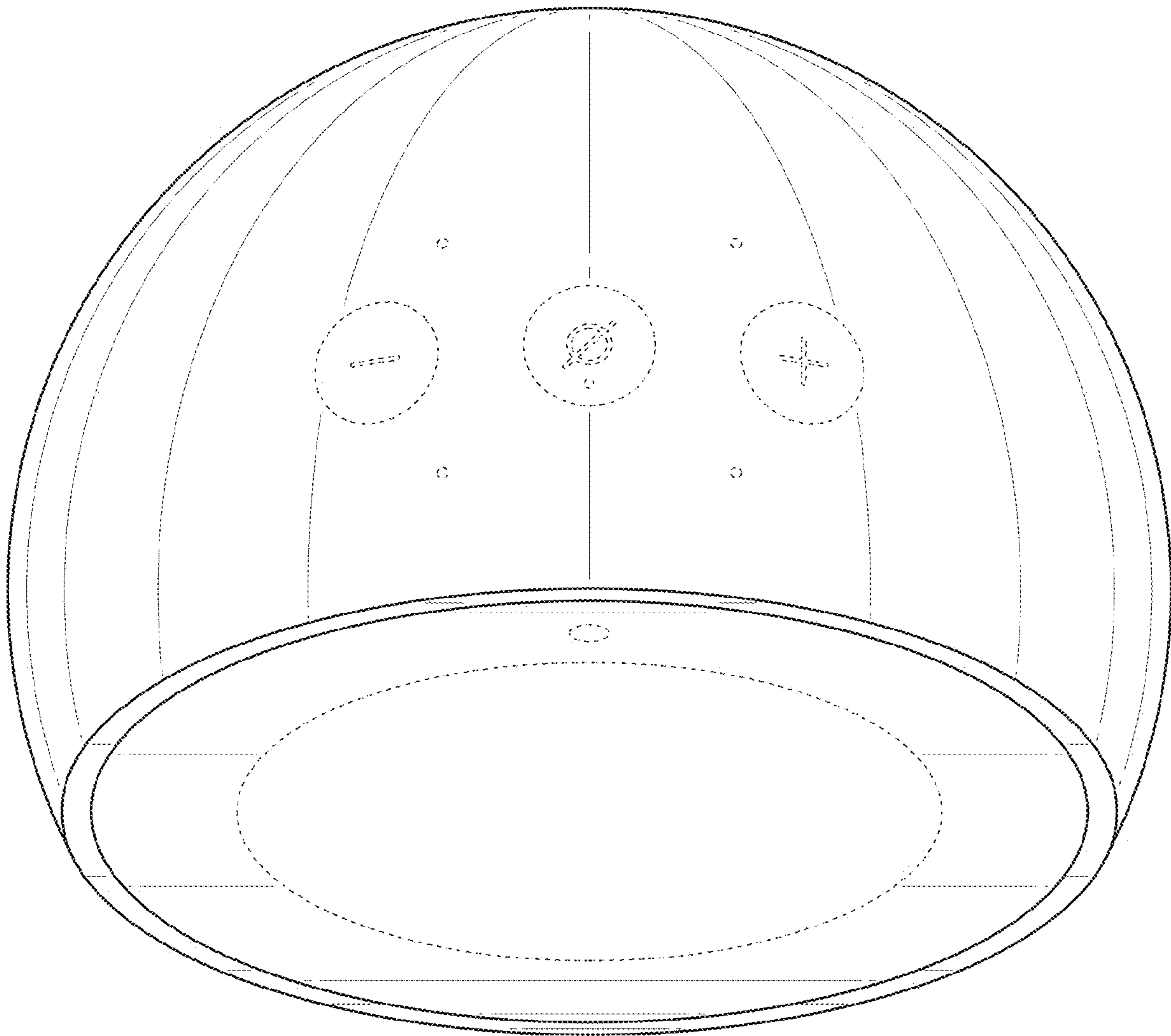


FIG. 7

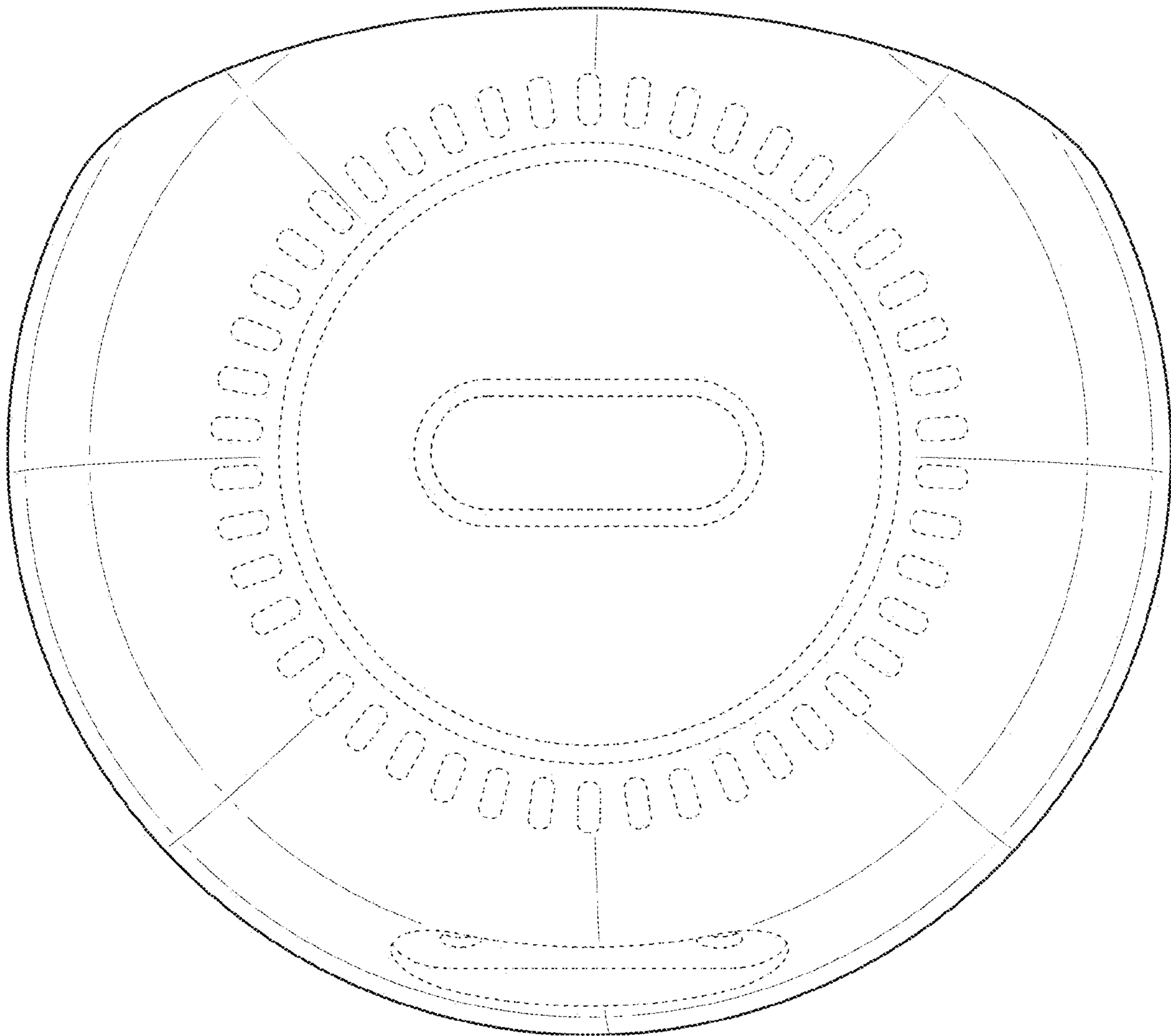


FIG. 8