



US00D884672S

(12) **United States Design Patent** (10) **Patent No.:** **US D884,672 S**
Nugent et al. (45) **Date of Patent:** **** May 19, 2020**

(54) **LOUDSPEAKER**

(71) Applicant: **Harman International Industries, Incorporated**, Northridge, CA (US)

(72) Inventors: **Tim Nugent**, Santa Monica, CA (US);
Craig Lambrecht, Granger, IN (US);
Val Kalyuzhny, Reseda, CA (US)

(73) Assignee: **Harman International Industries, Incorporated**, Northridge, CA (US)

(**) Term: **15 Years**

(21) Appl. No.: **29/663,238**

(22) Filed: **Sep. 13, 2018**

Related U.S. Application Data

(63) Continuation of application No. 29/596,569, filed on Mar. 9, 2017, now Pat. No. Des. 832,236, which is a continuation-in-part of application No. 29/551,710, filed on Jan. 15, 2016, now Pat. No. Des. 797,078.

(51) **LOC (12) Cl.** **14-01**

(52) **U.S. Cl.**
USPC **D14/214; D14/211**

(58) **Field of Classification Search**
USPC ... D14/211, 214, 204, 217, 208, 209.1, 210,
D14/212, 172, 213, 215, 216, 218, 240,
D14/496, 203.8, 191, 195, 196; 181/143,
181/144, 147, 148, 150, 153, 157, 198,
181/199; 381/361, 362, 363, 364, 386,
381/387, 388; D13/184

CPC ... H04R 9/06; H04R 1/20; H04R 1/28; H04R
1/02; H05K 5/00; H02J 7/00

See application file for complete search history.

(56) **References Cited**

U.S. PATENT DOCUMENTS

2,230,104 A 1/1941 Bostwick
3,047,090 A 7/1962 Pruden

3,207,257 A 9/1965 Wilson
3,512,606 A 5/1970 Anastin
D242,259 S 11/1976 Babb
D249,684 S 9/1978 Rams
D261,883 S 11/1981 Russell et al.
D268,673 S 4/1983 Iijima

(Continued)

FOREIGN PATENT DOCUMENTS

EM 004026011-0002 * 5/2017
EM 004172732-0002 * 8/2017
KR 300573137.0000 * 9/2010

Primary Examiner — Paula Allen Greene

(74) *Attorney, Agent, or Firm* — Plumsea Law Group, LLC

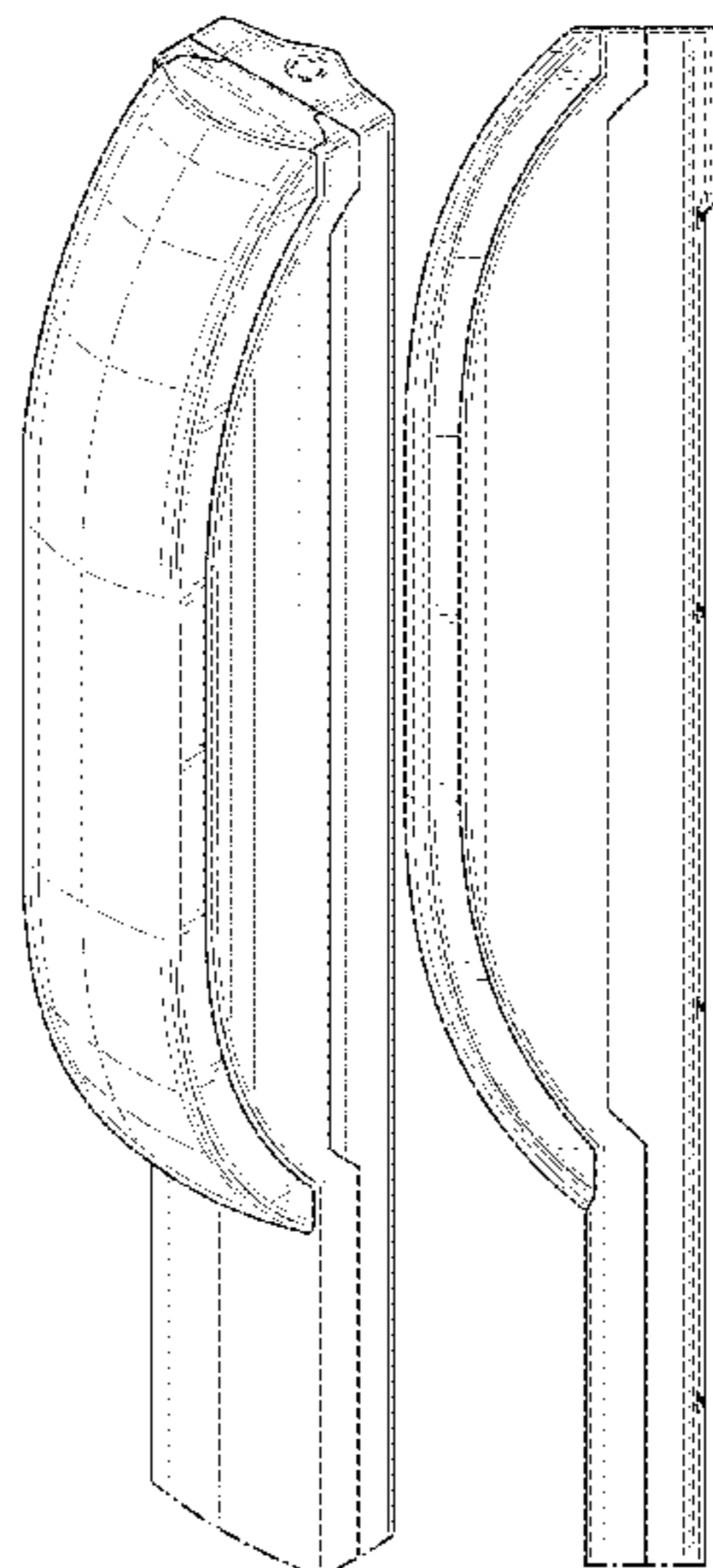
(57) **CLAIM**

The ornamental design for a loudspeaker, as shown and described.

DESCRIPTION

FIG. 1 is a top front perspective view of a loudspeaker showing our new design;
FIG. 2 is a front elevational view thereof;
FIG. 3 is a rear elevational view thereof;
FIG. 4 is a side elevational view thereof;
FIG. 5 is an opposite side elevational view thereof;
FIG. 6 is a top view thereof;
FIG. 7 is a bottom view thereof;
FIG. 8 is a top rear perspective view thereof;
FIG. 9 is another top front perspective view thereof;
FIG. 10 is another top rear perspective view thereof; and,
FIG. 11 is a top front perspective view thereof, with the broken lines of extension portions and a main housing of a loudspeaker system forming no part of the claimed design. The evenly spaced broken lines in the figures illustrate portions of the design that form no part of the claimed design. The dash-dot broken lines in the figures represent the boundaries of the claimed design and form no part of the claimed design.

1 Claim, 11 Drawing Sheets



(56)

References Cited

U.S. PATENT DOCUMENTS

4,580,654 A * 4/1986 Hale H04R 1/02
181/146

4,805,730 A 2/1989 O'Neill et al.
D315,736 S 3/1991 Takagi
D319,445 S 8/1991 Yamakawa
D322,072 S 12/1991 Yamamoto
D335,497 S 5/1993 Patterson, Jr. et al.
D347,225 S 5/1994 Lowy et al.
D362,667 S 9/1995 Sohn
D390,234 S 2/1998 Ito et al.
D392,976 S 3/1998 Fenner et al.
5,734,728 A * 3/1998 Meissner H04R 1/347
181/148

D397,115 S 8/1998 Gremchuck
D399,509 S 10/1998 Renk
D401,583 S 11/1998 Shin et al.
6,035,962 A 3/2000 Lin
D422,593 S 4/2000 Ito et al.
D431,815 S 10/2000 Masui
D432,117 S 10/2000 Miyazaki
D434,026 S * 11/2000 Lewis D14/211
D439,238 S 3/2001 Mackie et al.
D449,828 S * 10/2001 Pardo D14/211
D451,494 S * 12/2001 Oikawa D14/211
D461,177 S * 8/2002 Hisatsune D14/211
D465,778 S * 11/2002 Solland D14/215
D468,725 S 1/2003 Nugent et al.
D471,891 S 3/2003 Oikawa
D473,212 S 4/2003 Nugent et al.
6,561,311 B2 5/2003 Chuang
D475,991 S 6/2003 Hisatsune
D478,065 S 8/2003 Bolton et al.
D492,281 S * 6/2004 Hakoda D14/211
D496,348 S * 9/2004 Juskiewicz D14/211
D497,899 S 11/2004 Weikel et al.
D512,987 S * 12/2005 Tsuge D14/211
D515,524 S * 2/2006 Kim D14/499
D518,817 S 4/2006 Ching
D522,492 S * 6/2006 Carbone D14/211
D524,796 S * 7/2006 Chan D14/211
D525,615 S * 7/2006 Tanaka D14/211
D529,019 S 9/2006 Lim
D534,159 S 12/2006 Whitehouse et al.
D539,269 S * 3/2007 Yoon D14/211
D546,319 S 7/2007 Hakoda
D547,302 S 7/2007 Schmieta et al.
D548,724 S * 8/2007 Hakoda D14/211
D550,180 S * 9/2007 Thursfield D14/211
D552,492 S 10/2007 Wang
D555,634 S 11/2007 Kim et al.
D555,635 S 11/2007 Kim et al.

D558,737 S 1/2008 Poandl
D562,307 S 2/2008 Warden
D562,802 S * 2/2008 Kim D14/211
D575,800 S 8/2008 Kusano et al.
D576,150 S * 9/2008 Lim D14/211
D582,892 S 12/2008 Baird et al.
D583,802 S 12/2008 Pincek et al.
D586,783 S 2/2009 Lui et al.
D593,990 S * 6/2009 Xie D14/168
D596,157 S * 7/2009 Warden D14/211
D597,527 S * 8/2009 Kim D14/211
D609,216 S 2/2010 Davies et al.
D611,452 S 3/2010 Warden et al.
D613,268 S * 4/2010 Chen D14/211
D628,979 S 12/2010 Yagi
D633,897 S * 3/2011 Chiu D14/211
D640,667 S * 6/2011 Lee D14/211
D654,053 S * 2/2012 Lee D14/211
D654,473 S 2/2012 Paddock
D659,120 S * 5/2012 Kim D14/211
D660,286 S 5/2012 Lee et al.
D670,268 S * 11/2012 Allen D14/211
D682,250 S 5/2013 Mattioli
D687,812 S * 8/2013 Lee D14/211
D691,117 S * 10/2013 Silvera D14/213
D695,269 S 12/2013 Carpenter et al.
D695,707 S 12/2013 Szymanski et al.
D708,169 S * 7/2014 Ryu D14/211
D714,259 S 9/2014 Galler
D718,740 S 12/2014 Savage et al.
8,929,579 B2 1/2015 Kalyuzhny et al.
D733,680 S 7/2015 Nugent
D765,054 S * 8/2016 Bast D14/204
D766,211 S * 9/2016 Choi D14/211
D776,638 S * 1/2017 Pietschmann D14/209.1
D778,872 S 2/2017 Yang et al.
D783,000 S * 4/2017 Koo D14/209.1
D788,065 S * 5/2017 Sabatino D13/139.4
D790,507 S * 6/2017 Einaudi D14/211
D797,078 S * 9/2017 Nugent D14/214
D800,696 S 10/2017 Tubis et al.
D800,697 S 10/2017 Fischer et al.
D805,499 S 12/2017 Crolla
D806,671 S 1/2018 Kalyuzhny et al.
D813,838 S * 3/2018 Pietschmann D14/214
D832,236 S * 10/2018 Nugent D14/214
D841,623 S * 2/2019 Nugent D14/213
2006/0222190 A1 * 10/2006 Jacobs H04R 1/26
381/182
2006/0225950 A1 * 10/2006 Ishida H04R 1/021
181/199
2010/0111342 A1 * 5/2010 Jacob H04R 1/26
381/332

* cited by examiner

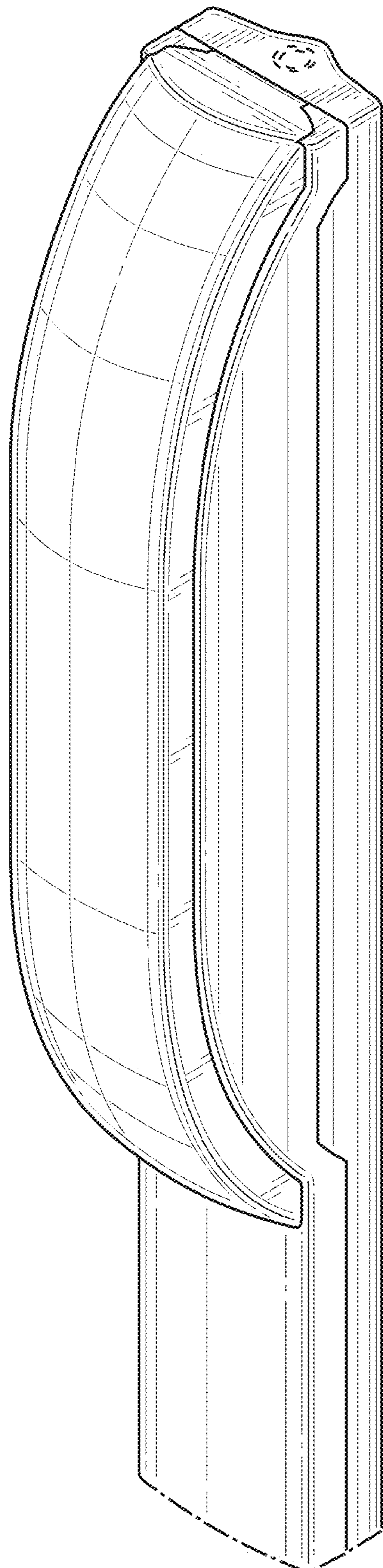


FIG. 1

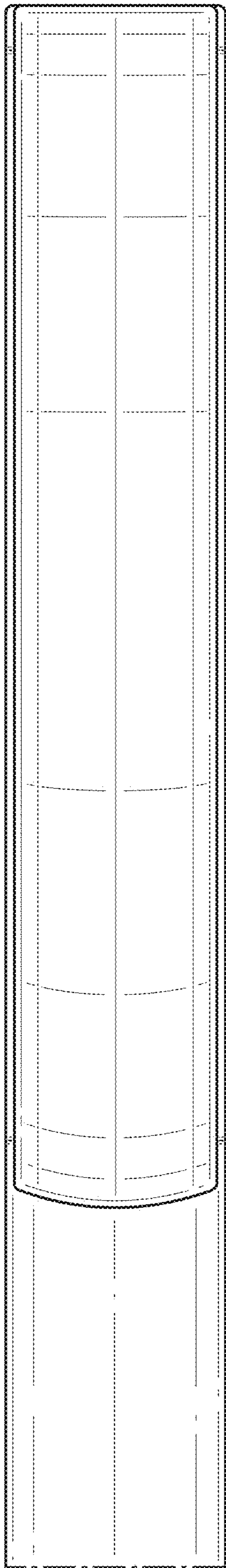


FIG. 2

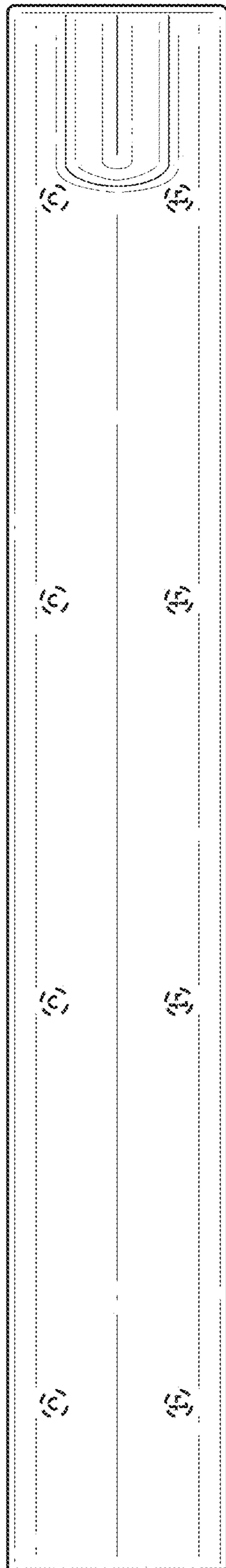


FIG. 3

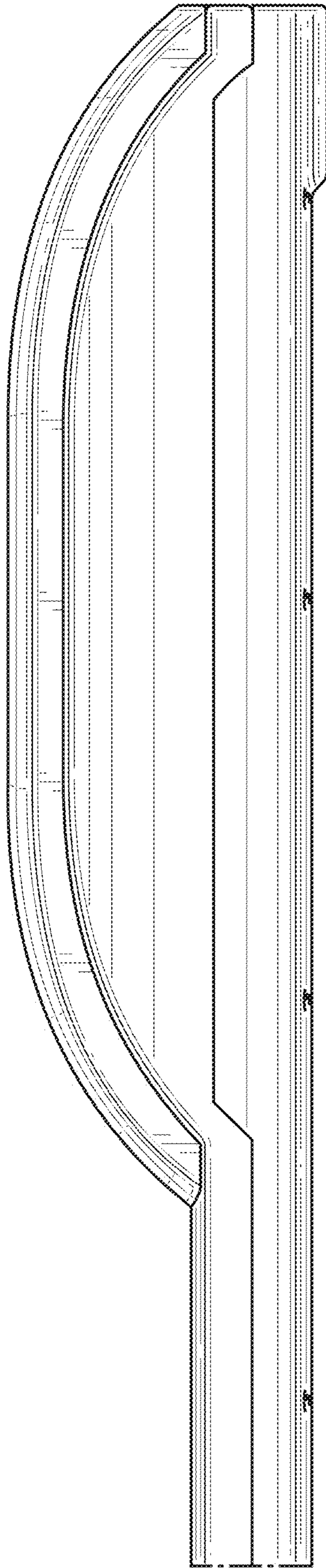


FIG. 4

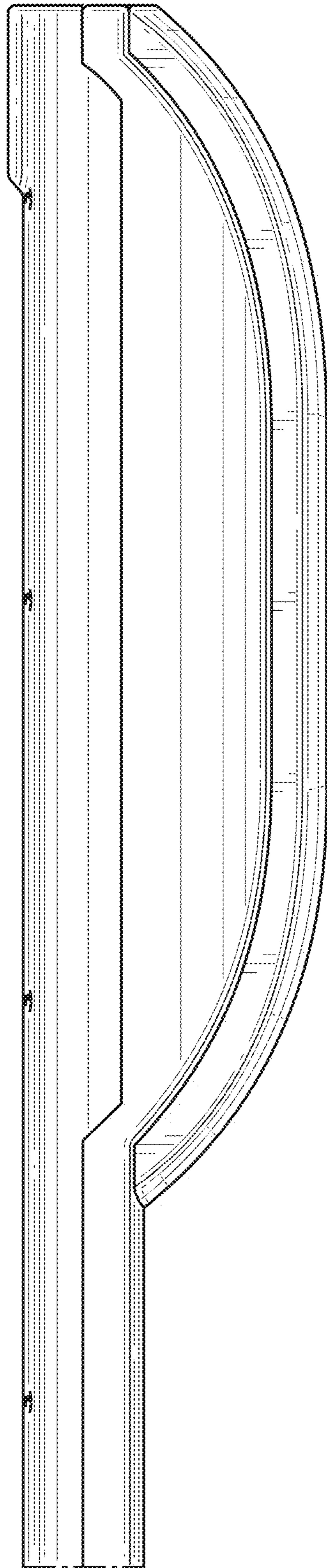


FIG. 5

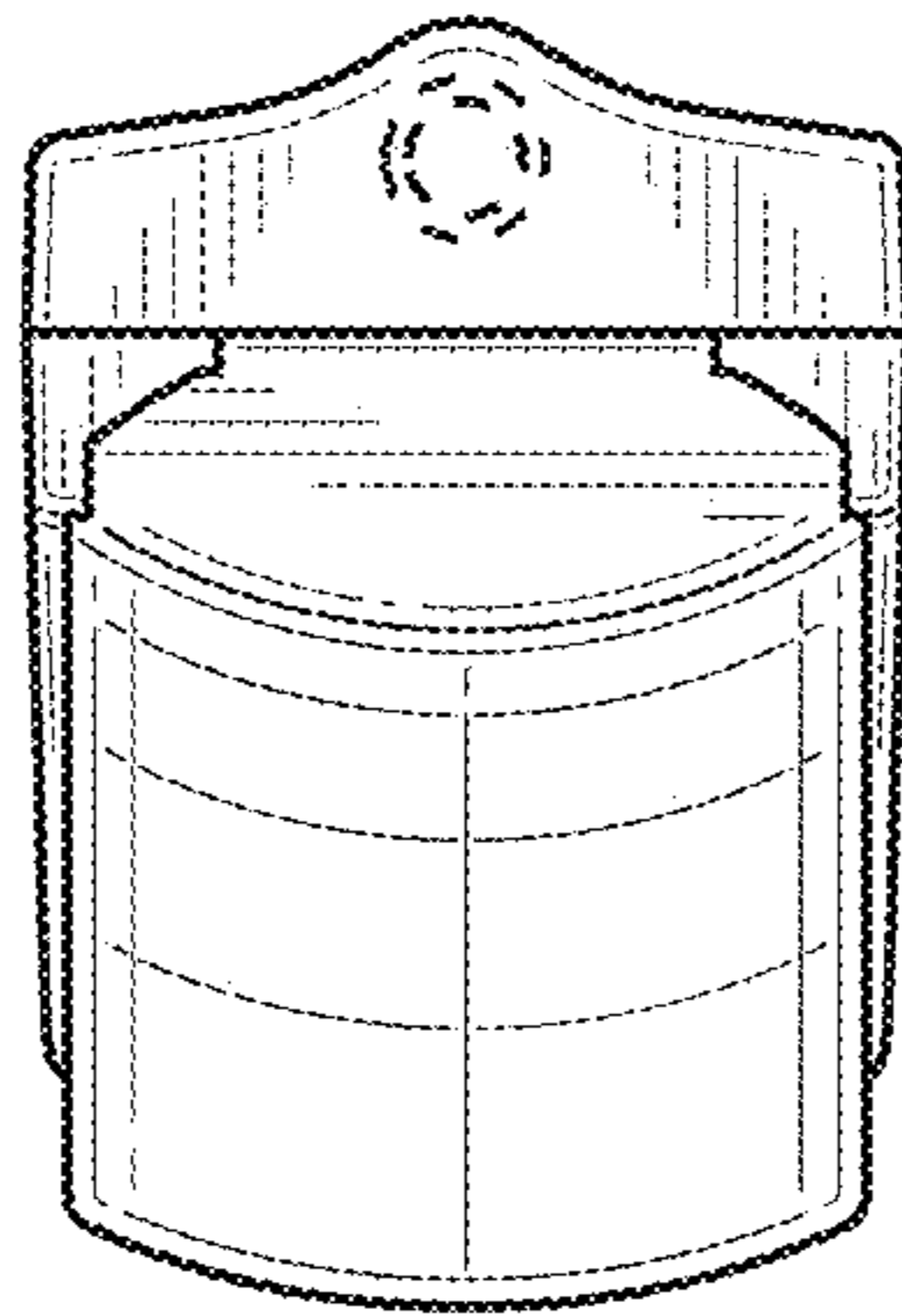


FIG. 6

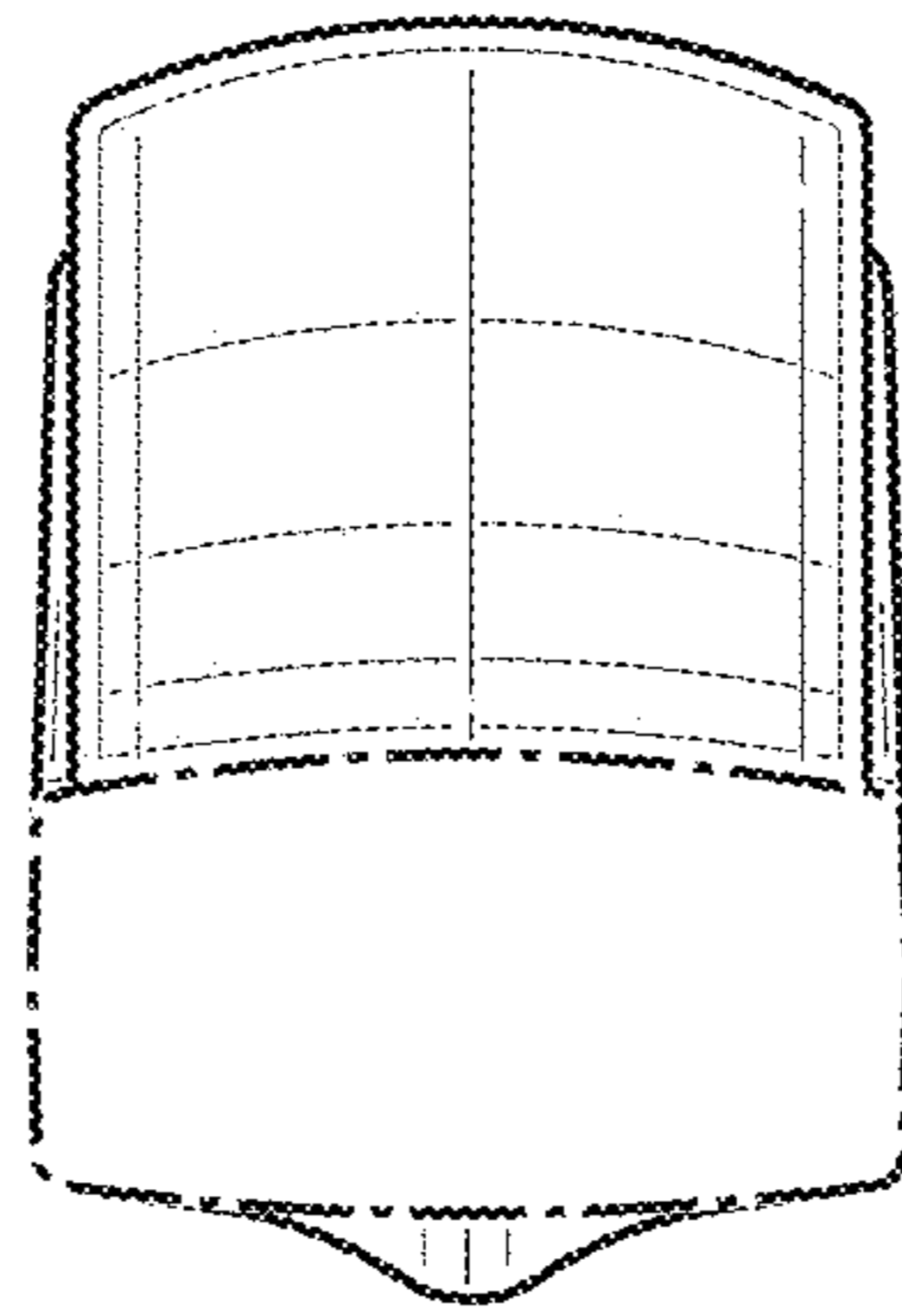


FIG. 7

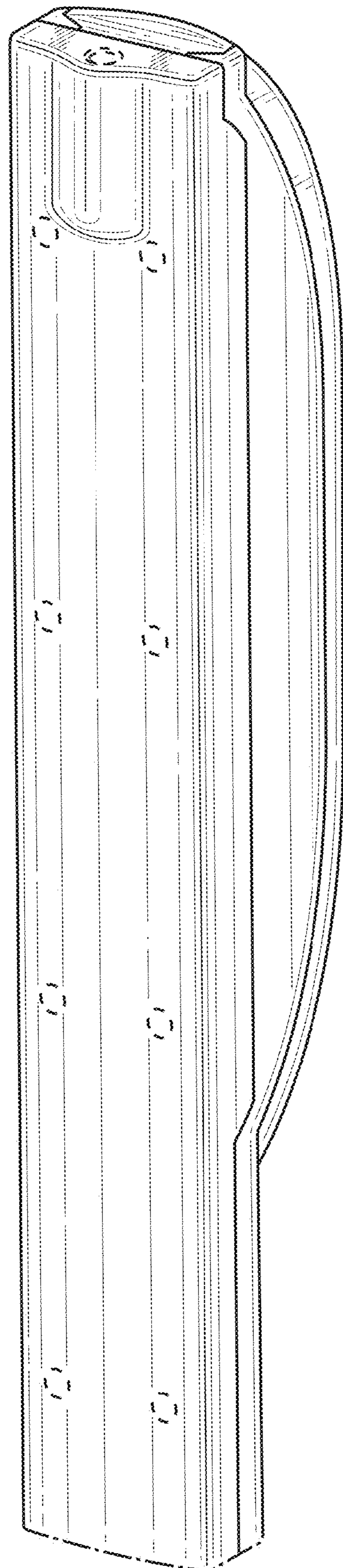


FIG. 8

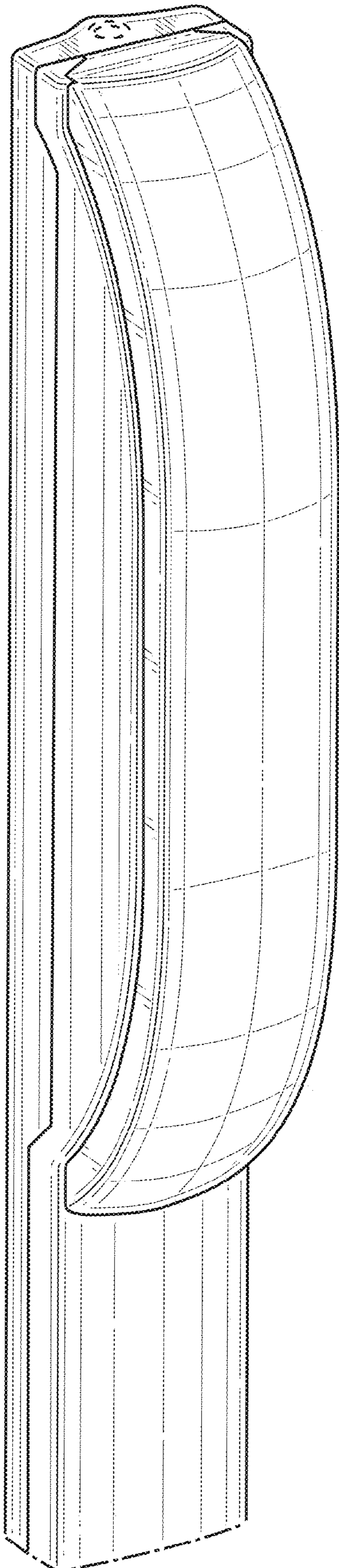


FIG. 9

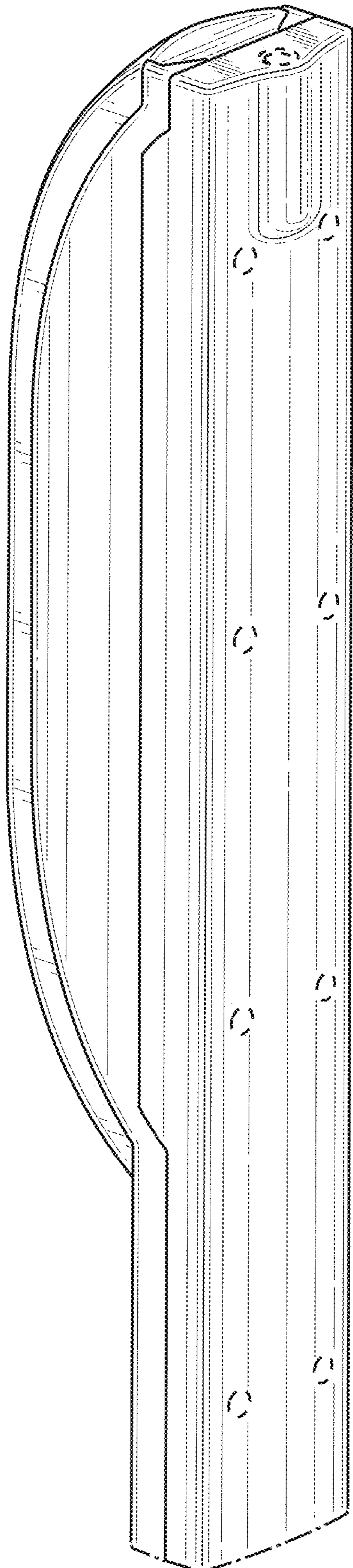


FIG. 10

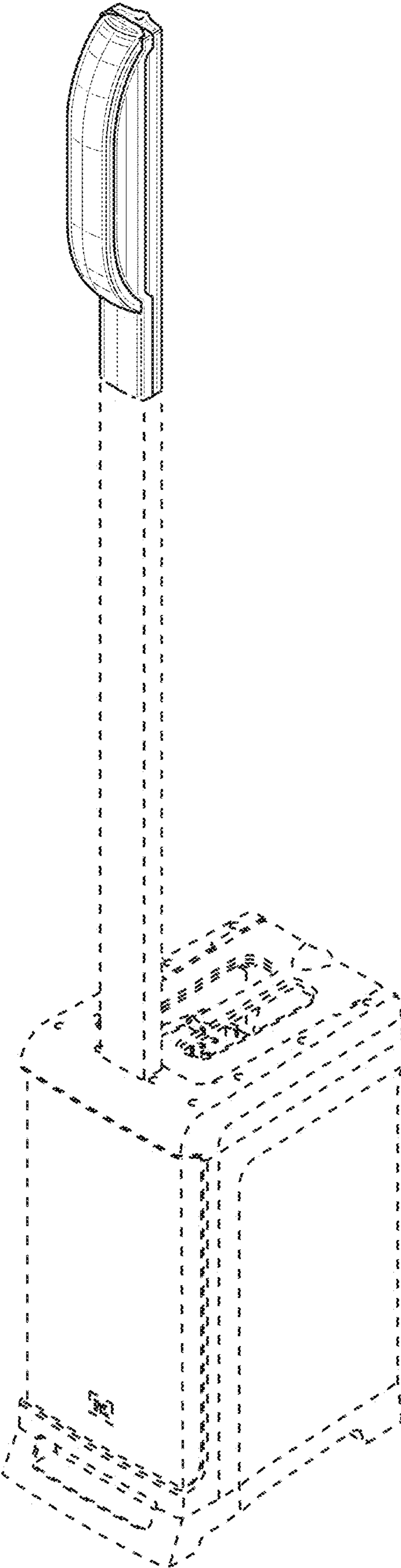


FIG. 11