



US00D884670S

(12) **United States Design Patent**
White

(10) **Patent No.:** **US D884,670 S**

(45) **Date of Patent:** **** May 19, 2020**

(54) **BONE CONDUCTION HEADPHONES**

(71) Applicant: **Benjamin L. White**, Rahway, NJ (US)

(72) Inventor: **Benjamin L. White**, Rahway, NJ (US)

(**) Term: **15 Years**

(21) Appl. No.: **29/648,073**

(22) Filed: **May 18, 2018**

(51) **LOC (12) Cl.** **14-01**

(52) **U.S. Cl.**
USPC **D14/205**

(58) **Field of Classification Search**

USPC D14/205, 206, 188, 192; D24/187, 186,
D24/174, 106; 181/129, 130, 135;
379/430, 431; 381/381, 380, 374, 151,
381/379; 601/97; 455/90.3, 575.1, 569.1
CPC H04R 25/00; H04R 1/1066; H04R 1/1016;
H04R 5/033; H04R 5/0335

See application file for complete search history.

(56) **References Cited**

U.S. PATENT DOCUMENTS

5,117,464	A *	5/1992	Jones	H04R 1/10 181/129
5,457,751	A *	10/1995	Such	H04M 1/05 348/115
D404,035	S *	1/1999	Delazzer	D14/205
D405,537	S *	2/1999	Taylor	D24/215
D421,014	S *	2/2000	Smith	D14/205
D426,880	S *	6/2000	Leight	D14/223
6,233,345	B1 *	5/2001	Urwyler	H04R 1/1033 351/123
D445,240	S *	7/2001	Persson	D2/866
D458,245	S *	6/2002	Masuda	D14/192
6,580,800	B1 *	6/2003	Yamasaki	H04R 1/105 381/379
6,603,863	B1 *	8/2003	Nagayoshi	H04R 1/1066 381/370

6,721,433	B2 *	4/2004	Sato	H04R 5/0335 181/128
D504,883	S *	5/2005	Jacobson	D14/192
D512,981	S *	12/2005	Jacobson	D14/205
6,999,732	B2 *	2/2006	Fukuda	A42B 1/245 381/151
D550,202	S *	9/2007	Meier	D14/206
D605,629	S *	12/2009	Suwalski	D14/206
D616,419	S *	5/2010	Suwalski	D14/206
D617,308	S *	6/2010	Nousiainen	D14/205
D664,115	S *	7/2012	Allard	D14/205
D669,881	S *	10/2012	Clements	D14/205
8,447,051	B2 *	5/2013	Emilsson	H04R 5/033 381/151
D691,105	S *	10/2013	Ito	D14/205
D707,199	S *	6/2014	Cepress	H04R 1/10 D14/205

(Continued)

Primary Examiner — Paula Allen Greene

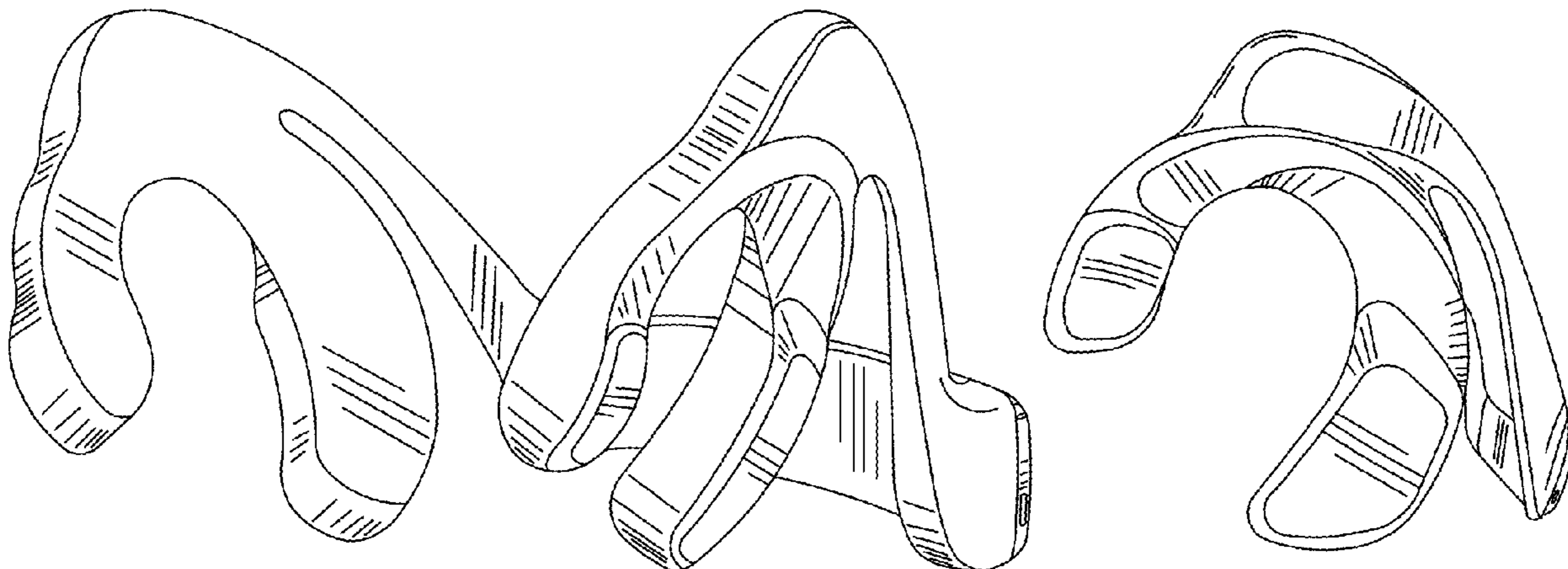
(57) **CLAIM**

The ornamental design for a bone conduction headphones, as shown and described.

DESCRIPTION

FIG. 1 is a perspective view of the bone conduction headphones, showing my new design;
FIG. 2 is a front view thereof;
FIG. 3 is a back view thereof;
FIG. 4 is a right view thereof;
FIG. 5 is a left view thereof;
FIG. 6 is a top view thereof;
FIG. 7 is a bottom view thereof;
FIG. 8 is a front perspective view of the headphone on a user thereof; and,
FIG. 9 is a front perspective view of the headphone on a user thereof.
The broken lines shown in all the figure views are for illustrative purpose only and form no part of the claimed design.

1 Claim, 9 Drawing Sheets



(56)

References Cited

U.S. PATENT DOCUMENTS

D717,765 S *	11/2014	Rausch	D14/205
D753,516 S *	4/2016	Le Gall	D10/47
D791,100 S *	7/2017	Chen	D14/205
D829,190 S *	9/2018	Bullen	D14/205
2009/0185699 A1 *	7/2009	Kim	H04R 1/1066
			381/151
2009/0226011 A1 *	9/2009	Abolfathi	H04R 25/606
			381/151
2014/0185837 A1 *	7/2014	Kunimoto	H04R 1/1075
			381/151

* cited by examiner

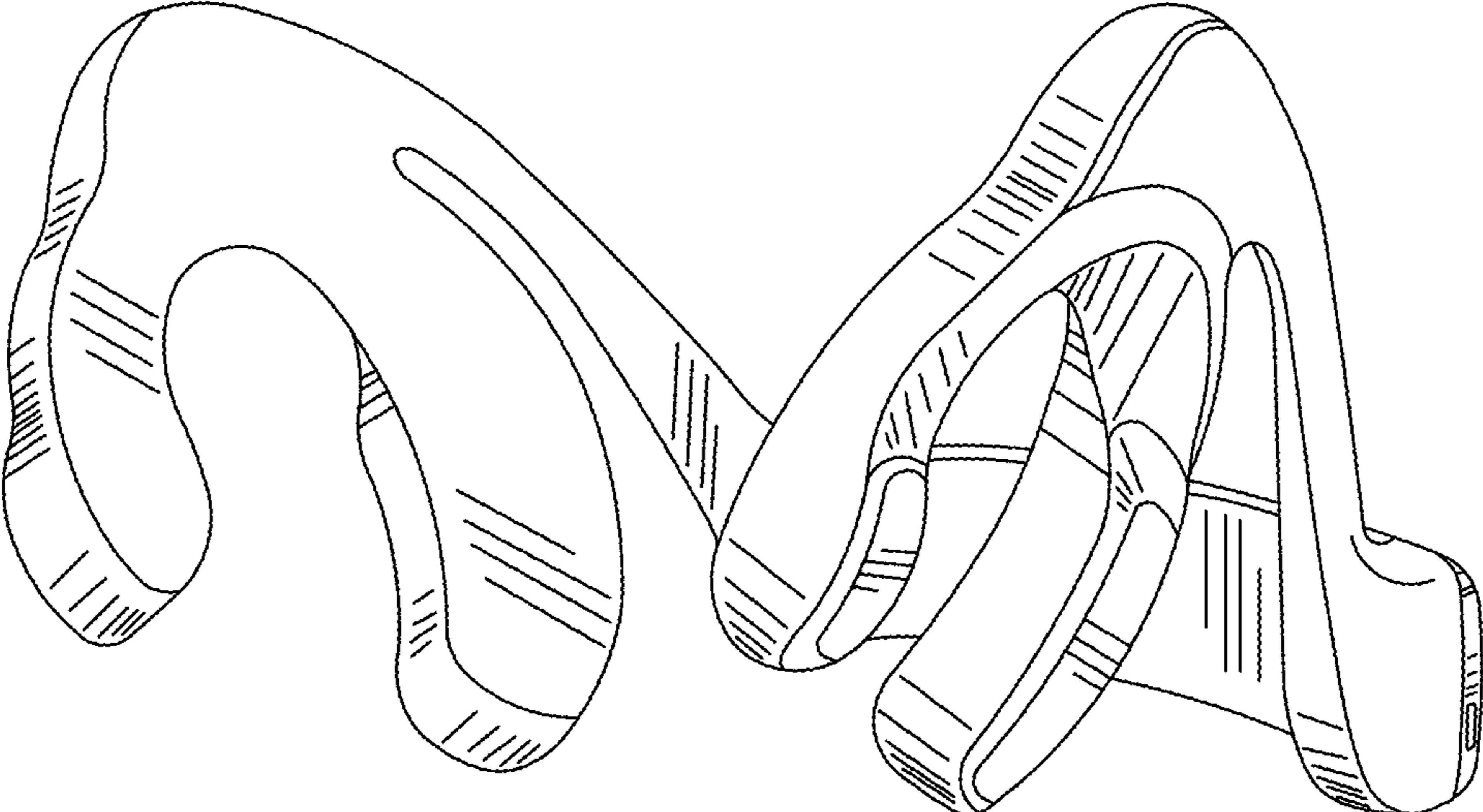


FIG. 1

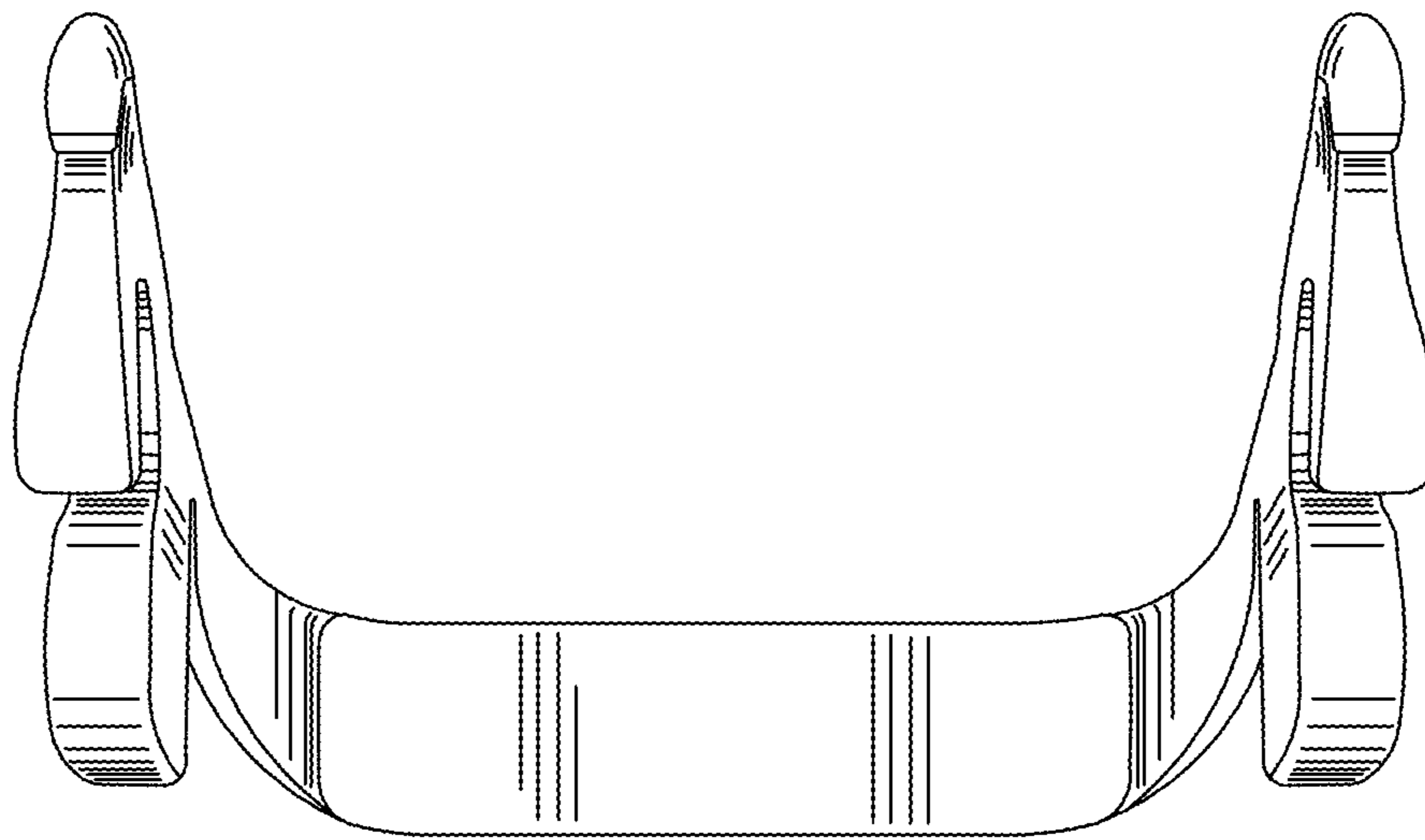


FIG. 2

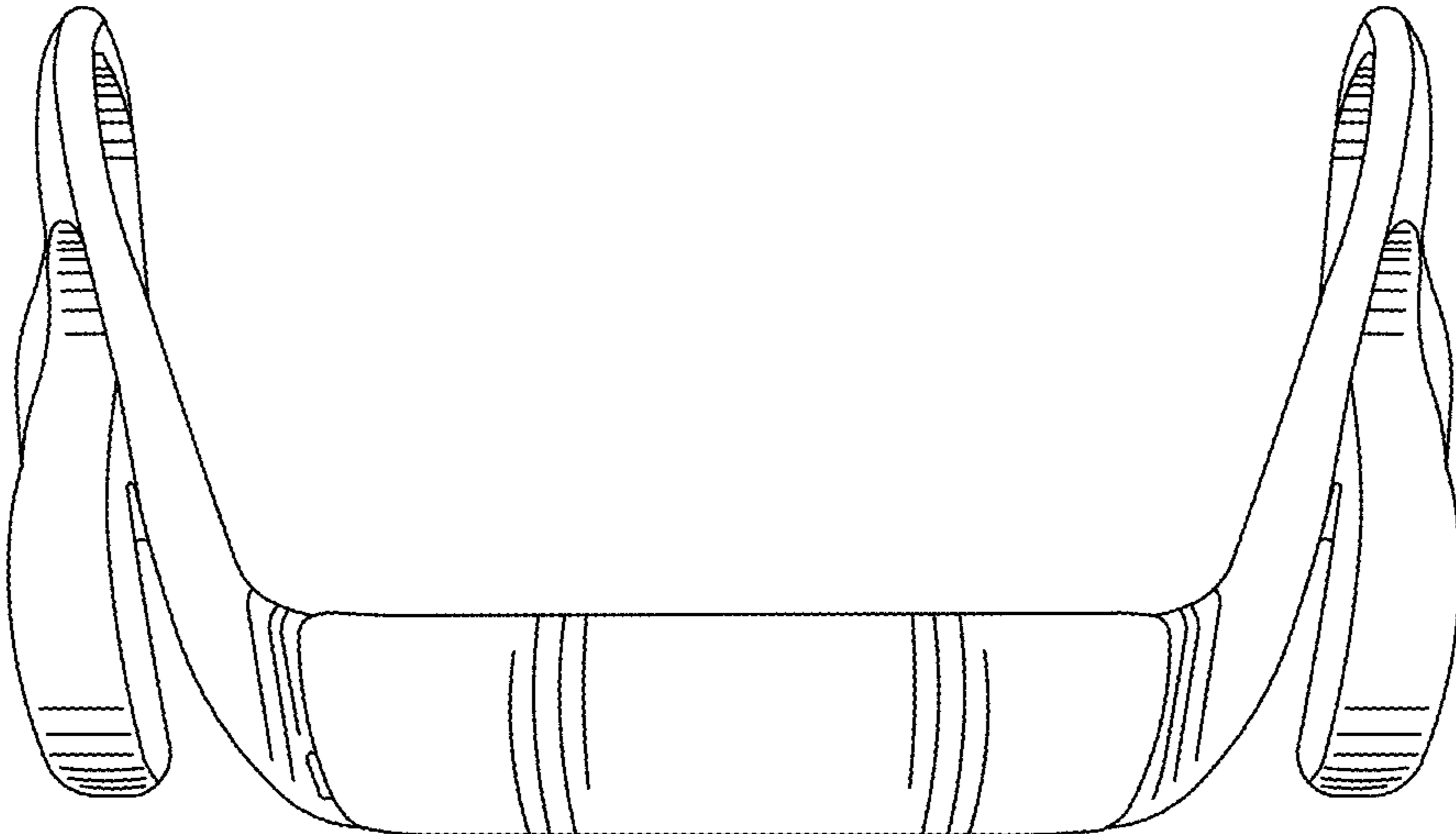


FIG. 3

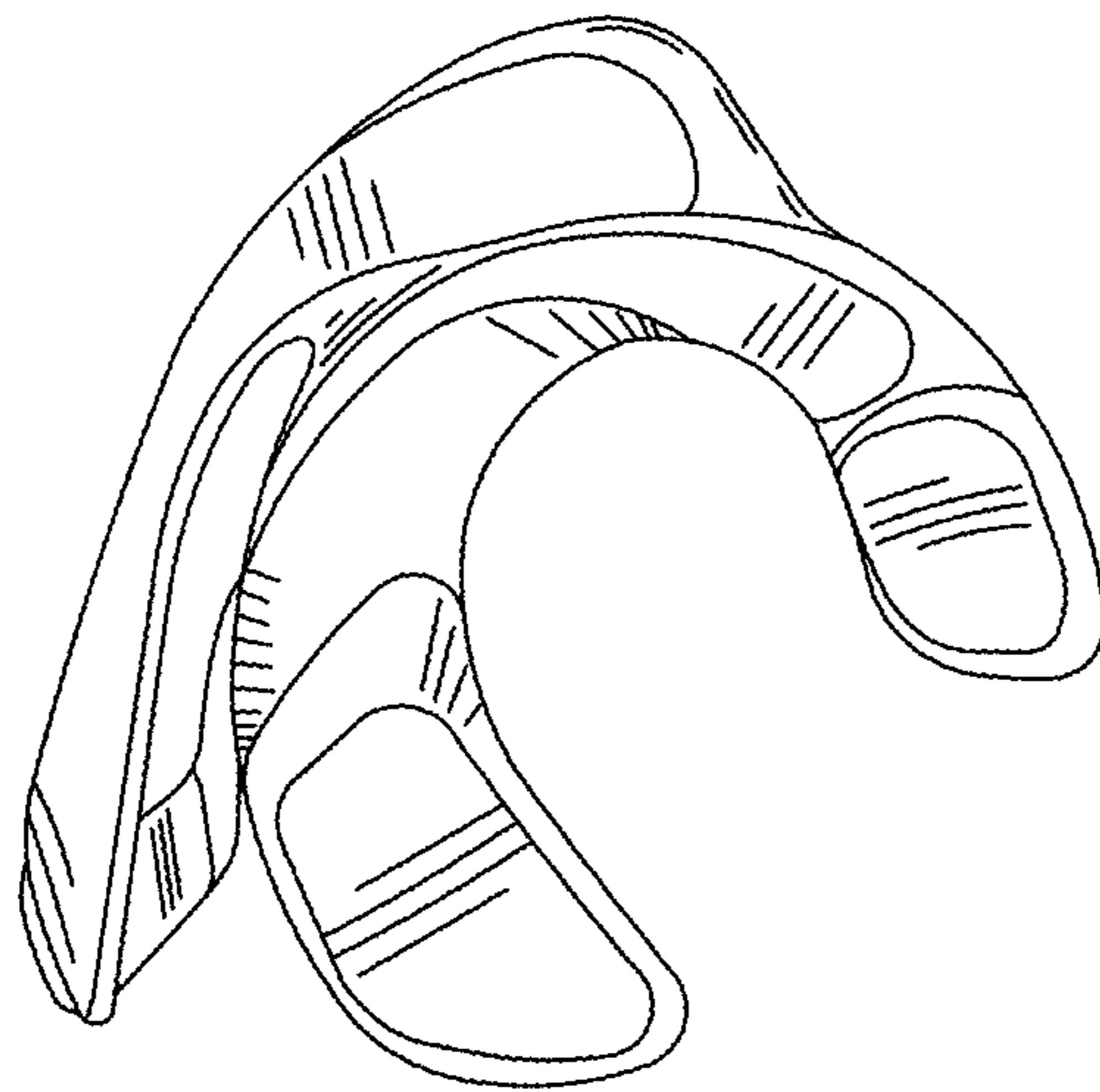


FIG. 4

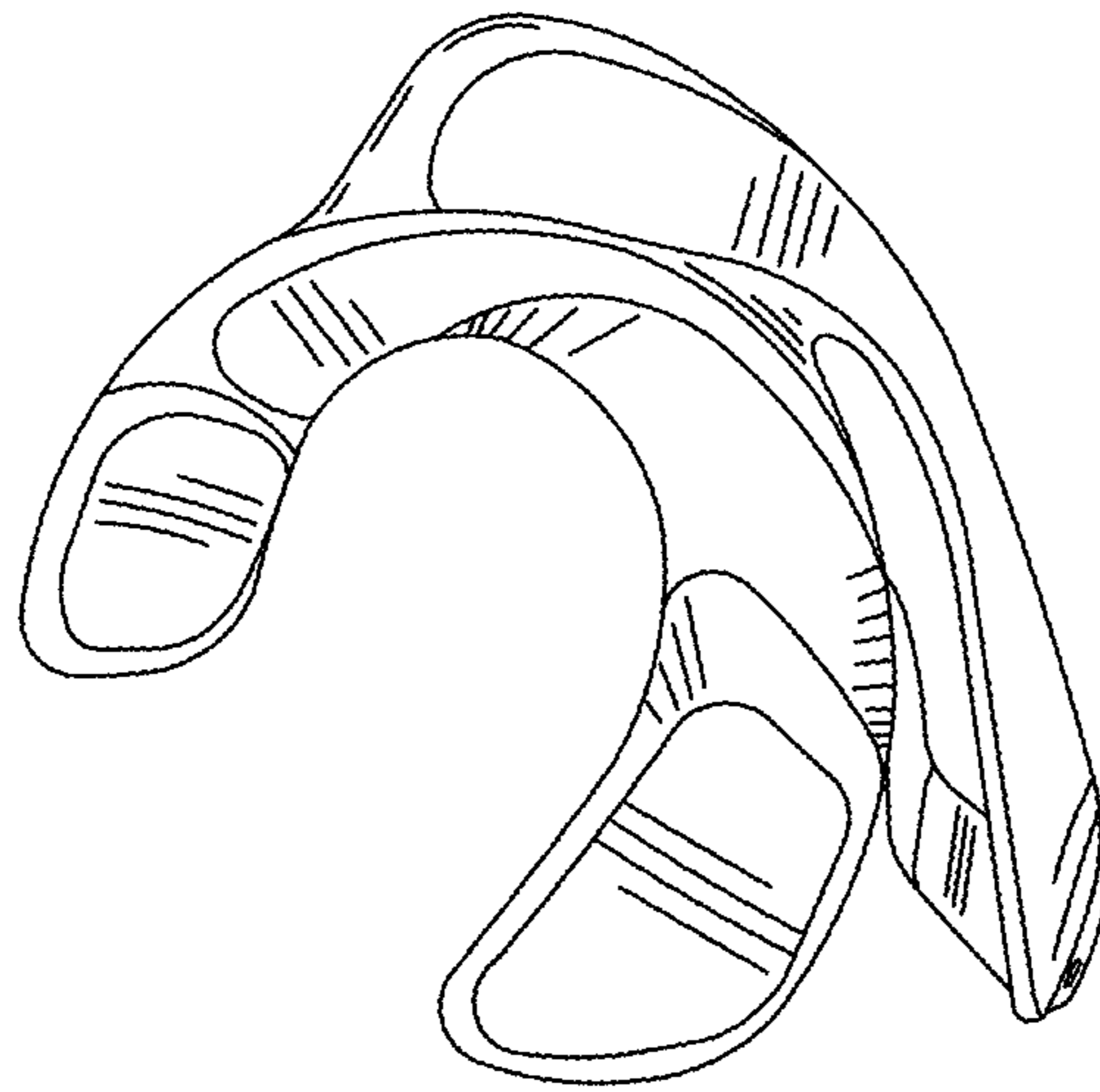


FIG. 5

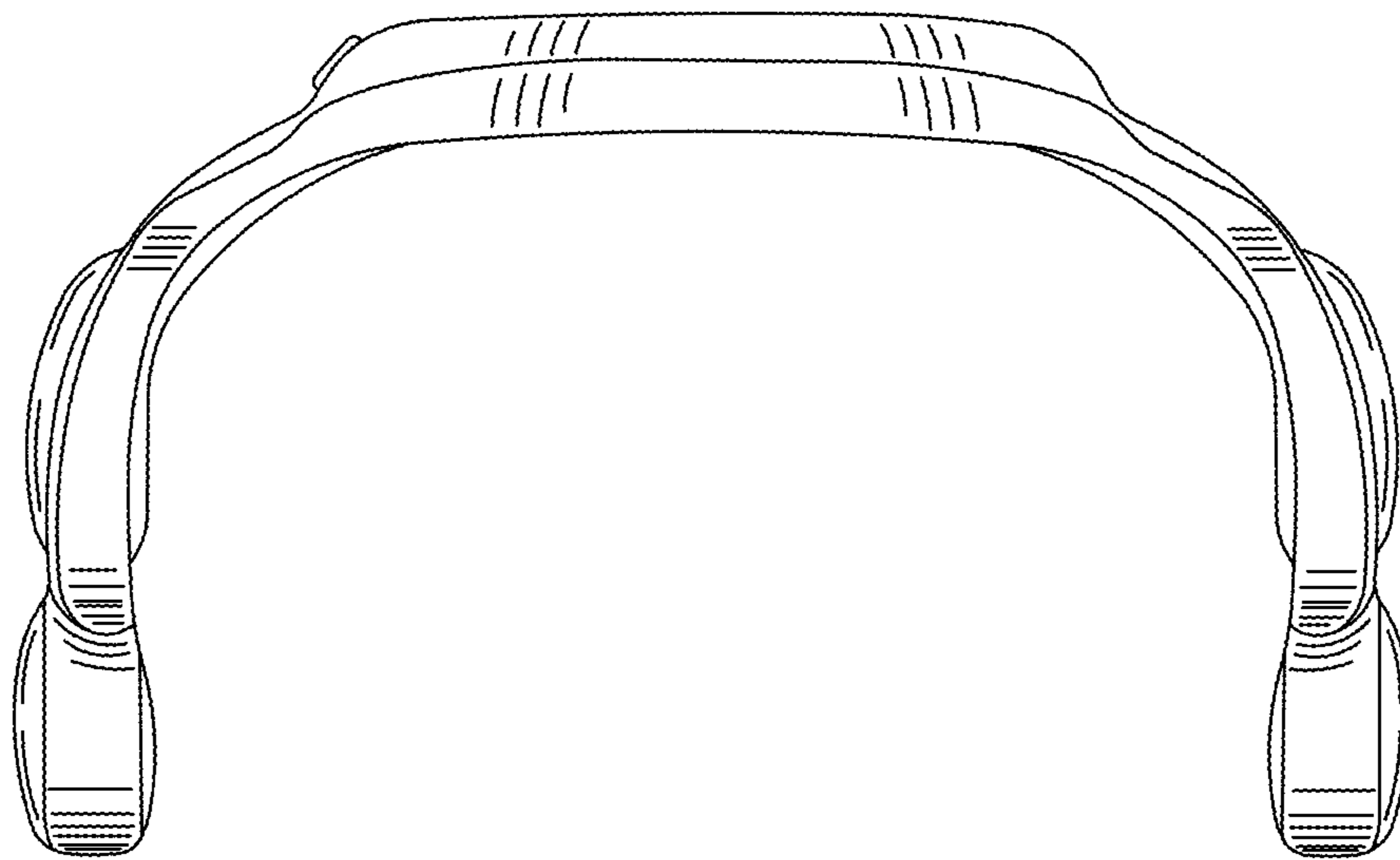


FIG. 6

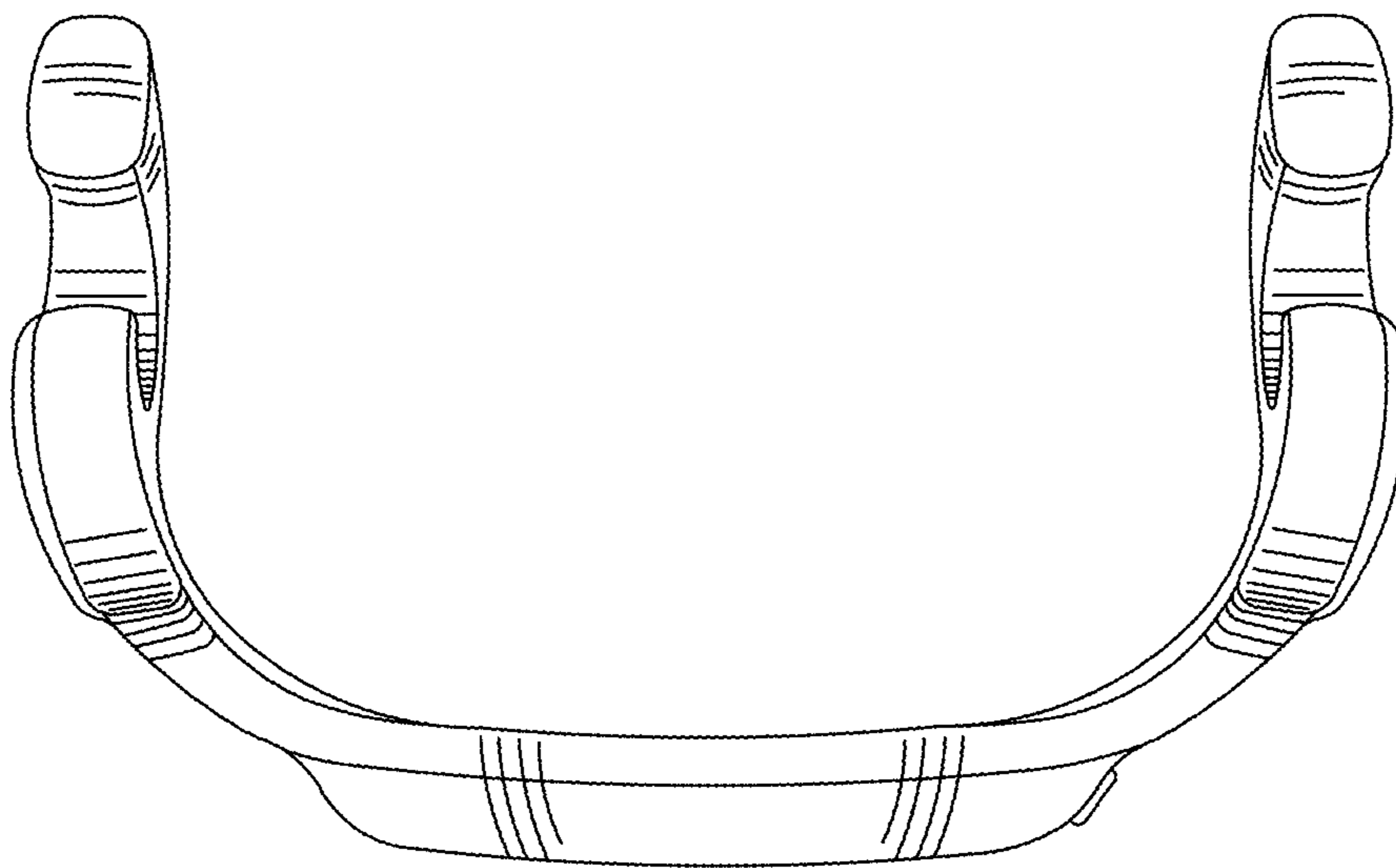


FIG. 7

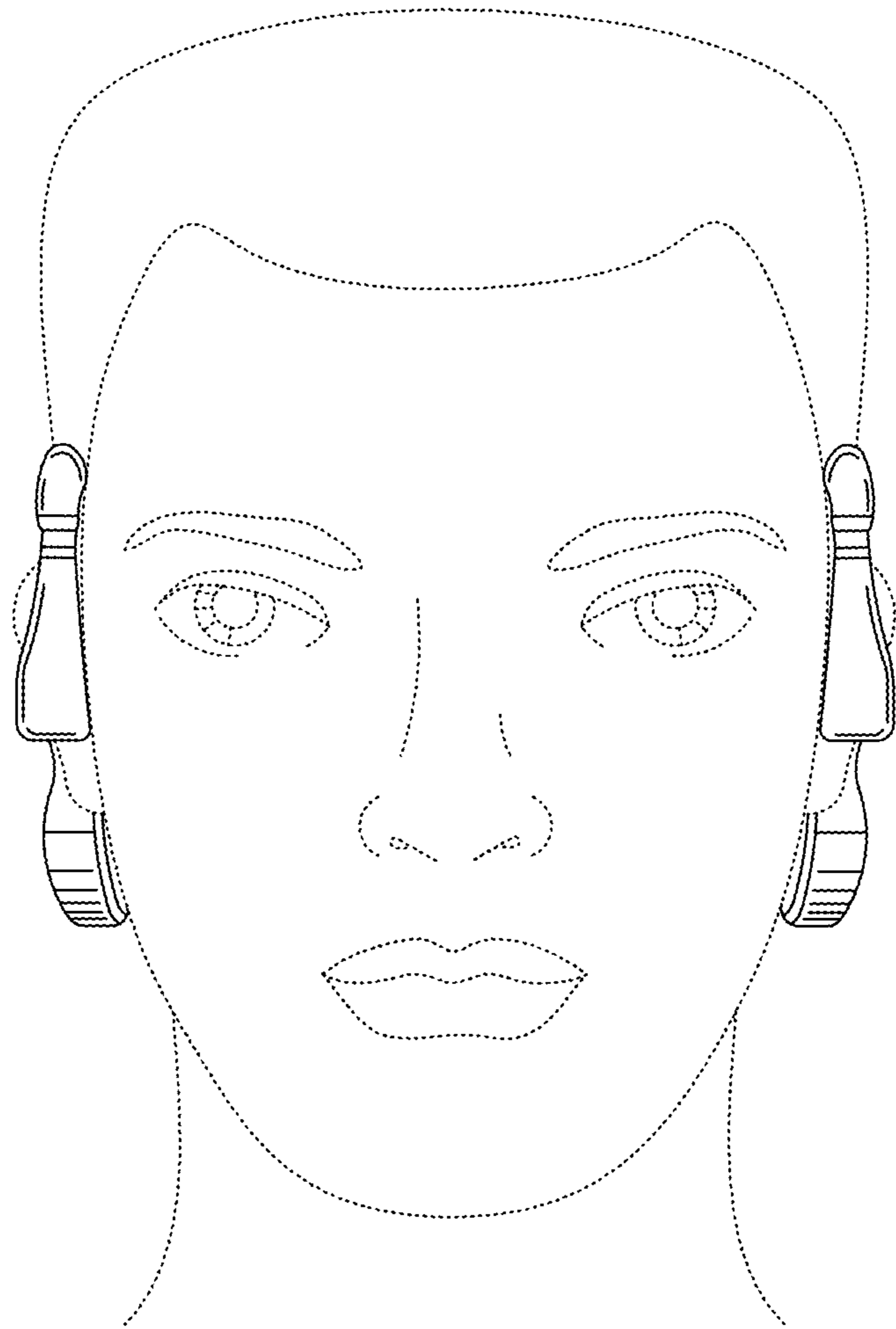


FIG.8

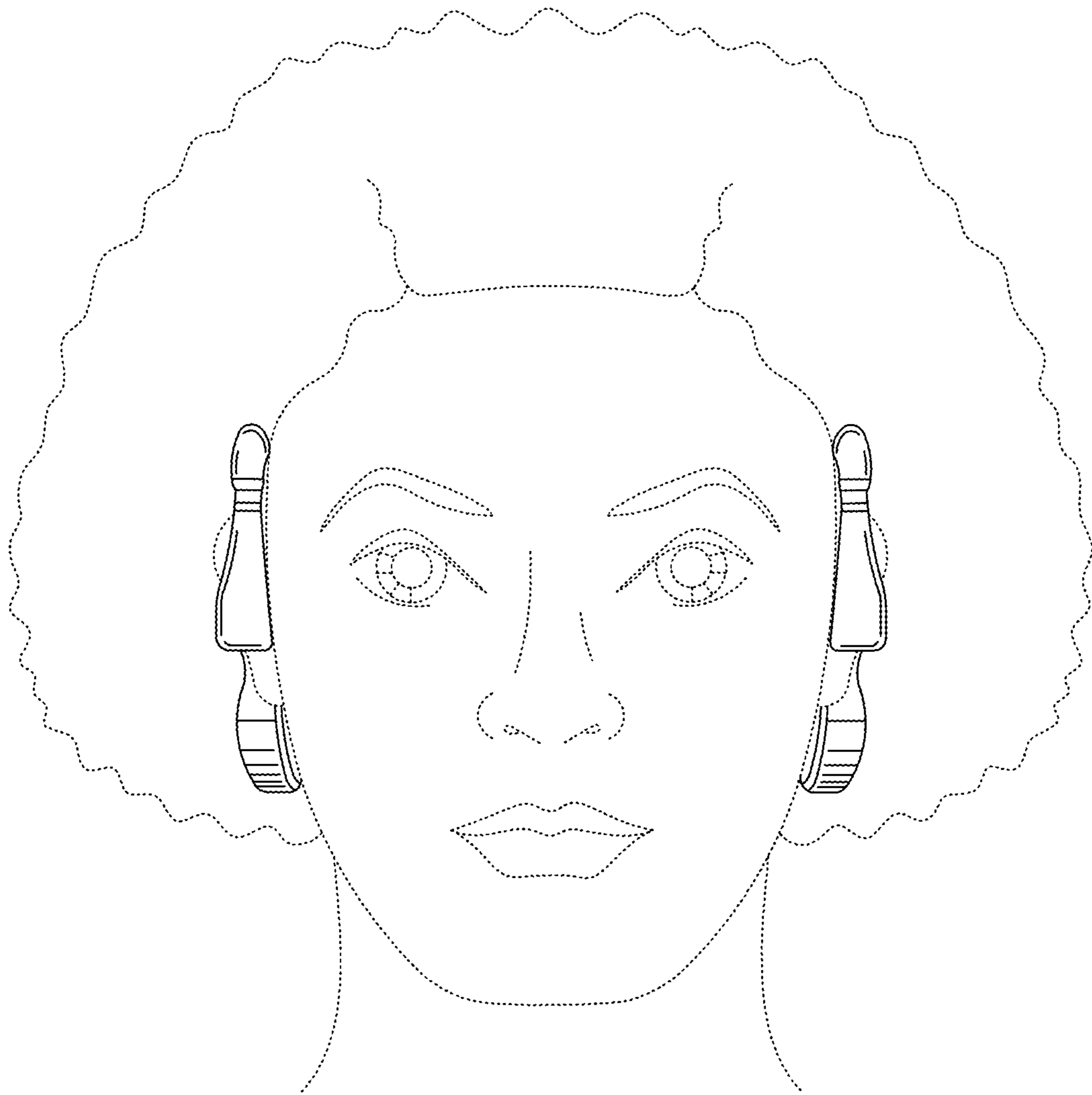


FIG. 9