



US00D884669S

(12) **United States Design Patent**
Zhong

(10) **Patent No.:** **US D884,669 S**

(45) **Date of Patent:** **** *May 19, 2020**

(54) **WIRELESS HEADPHONE**

(71) Applicant: **Shenzhen Kean E-commerce Ltd.**,
Longgang, Shenzhen (CN)

(72) Inventor: **Dewei Zhong**, Shenzhen (CN)

(*) Notice: This patent is subject to a terminal disclaimer.

(**) Term: **15 Years**

(21) Appl. No.: **29/615,131**

(22) Filed: **Aug. 25, 2017**

(30) **Foreign Application Priority Data**

Jul. 21, 2017 (CN) 2017 3 0325331

(51) **LOC (12) Cl.** **14-01**

(52) **U.S. Cl.**
USPC **D14/205**

(58) **Field of Classification Search**

USPC D14/205, 207; D29/112; D2/866, 868,
D2/869, 872; 2/209; 181/129, 130, 135;
379/430, 431; 381/380, 381, 374, 375;
455/90.3, 575.1, 569.1; 446/189;
D21/617

CPC H04R 1/1066; H04R 1/1016; H04R 5/033;
H04R 5/0335; H04R 25/00; H04R 25/02;
H04R 1/02

See application file for complete search history.

(56) **References Cited**

U.S. PATENT DOCUMENTS

D155,702 S * 10/1949 Ganine D21/617
D166,603 S * 4/1952 Hartman D7/302
D180,052 S * 4/1957 Young D2/869
2,947,091 A * 8/1960 McCrary A61F 5/44
116/67 R
D348,349 S * 7/1994 Blackwell D2/872
5,429,393 A * 7/1995 Parlo A01K 11/00
283/75

D380,023 S * 6/1997 Sisler D21/617
D382,562 S * 8/1997 Leifer D14/207
D383,136 S * 9/1997 Leifer D14/205
D386,182 S * 11/1997 Leifer D14/172
D390,588 S * 2/1998 Wang D16/310
D394,340 S * 5/1998 Kennard D2/869
D400,554 S * 11/1998 Wang D16/310
D430,386 S * 9/2000 Necatera D2/869
D431,550 S * 10/2000 Yoneda D14/205
D455,801 S * 4/2002 Chang D21/617
D458,759 S * 6/2002 Landauer D21/659

(Continued)

FOREIGN PATENT DOCUMENTS

EM 004163384-0001 * 8/2017

Primary Examiner — Paula Allen Greene

(74) *Attorney, Agent, or Firm* — Erson IP (Nelson IP)

(57) **CLAIM**

The ornamental design for wireless headphone, as shown and described.

DESCRIPTION

FIG. 1 is a front side view of a wireless headphone.
FIG. 2 is a rear side view of the wireless headphone.
FIG. 3 is a left side view of the wireless headphone.
FIG. 4 is a right side view of the wireless headphone.
FIG. 5 is a top view of the wireless headphone.
FIG. 6 is a bottom view of the wireless headphone
FIG. 7 is a perspective view of the wireless headphone showing features shown in the front side view illustrated with respect to FIG. 1 and the right side view illustrated with respect to FIG. 4; and,
FIG. 8 is a perspective view of the wireless headphone showing features shown in the front side view illustrated with respect to FIG. 1 and the left side view illustrated with respect to FIG. 3.

The broken lines depict environment that forms no part of the claimed design.

1 Claim, 8 Drawing Sheets



(56)

References Cited

U.S. PATENT DOCUMENTS

D482,393	S *	11/2003	Hui	D19/116
D512,708	S *	12/2005	Harris, Jr.	D14/205
D514,087	S *	1/2006	Wilson	D14/206
D538,261	S *	3/2007	Taylor	D14/205
7,388,960	B2 *	6/2008	Kuo	H04R 1/1041
				379/430
D573,581	S *	7/2008	Gondo	D14/205
D585,871	S *	2/2009	Lee	D14/205
D589,682	S *	4/2009	Knab	D2/869
D589,684	S *	4/2009	Knab	D2/869
7,877,909	B1 *	2/2011	Hagen	A01K 11/00
				40/300
D665,775	S *	8/2012	Katsumata	D14/205
D685,283	S *	7/2013	Katoh	D11/1
D711,347	S *	8/2014	Gan	H04R 1/1066
				D14/205
D719,136	S *	12/2014	Schaal	D14/205
D757,679	S *	5/2016	Yan	D14/205
D758,508	S *	6/2016	Chuang	D21/617
D793,356	S *	8/2017	Hardi	D14/205
D795,835	S *	8/2017	Nagamine	D14/205
D795,837	S *	8/2017	Cai	D14/205
D800,691	S *	10/2017	Ando	D14/205
D801,948	S *	11/2017	Picunko	D14/205
D813,195	S *	3/2018	Huang	D14/205
10,021,487	B2 *	7/2018	Yan	H04R 5/0335
D863,253	S *	10/2019	He	D14/205
D868,026	S *	11/2019	Hardi	D14/205
D869,433	S *	12/2019	Huan	D14/205

* cited by examiner

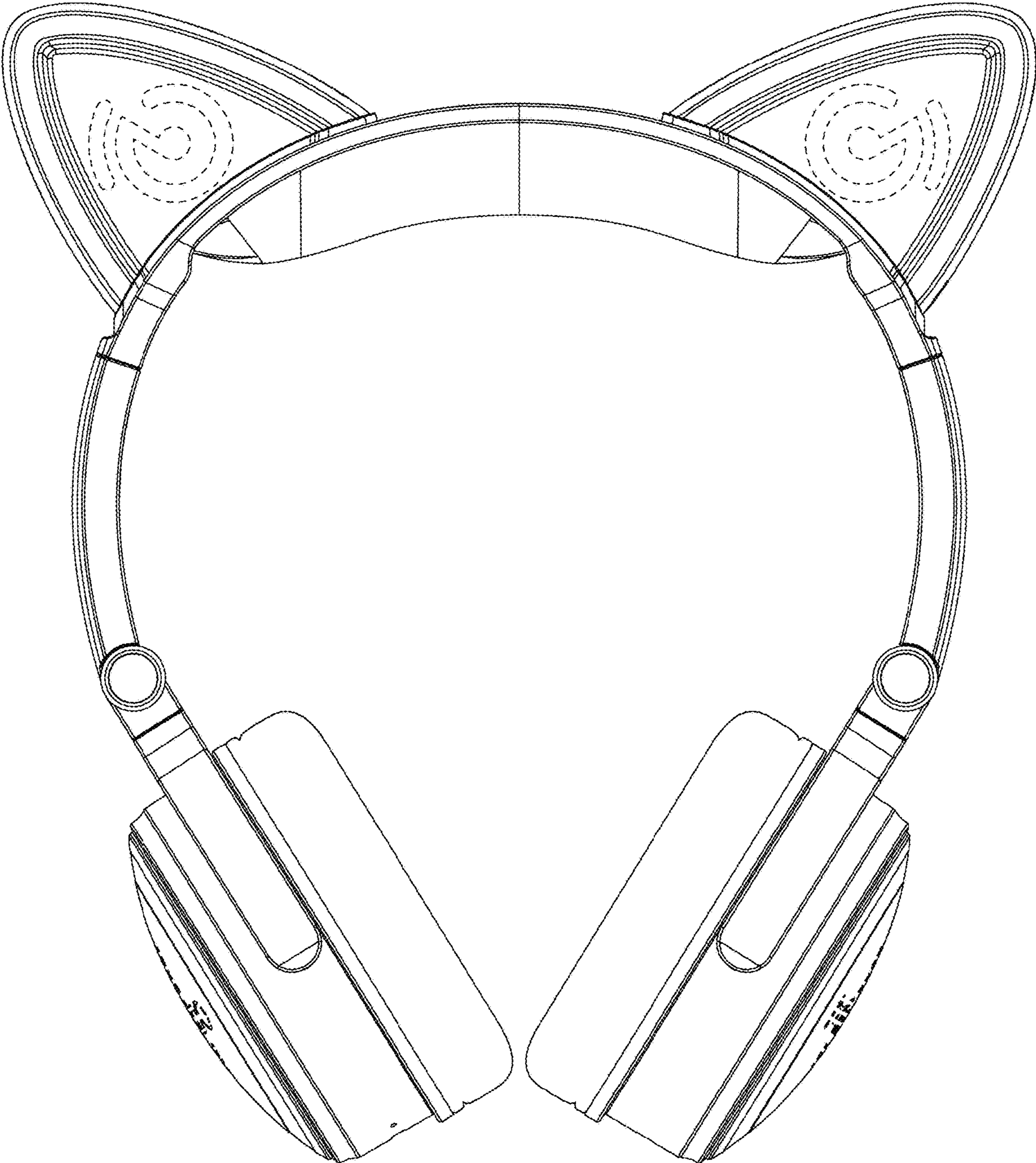


FIG. 1

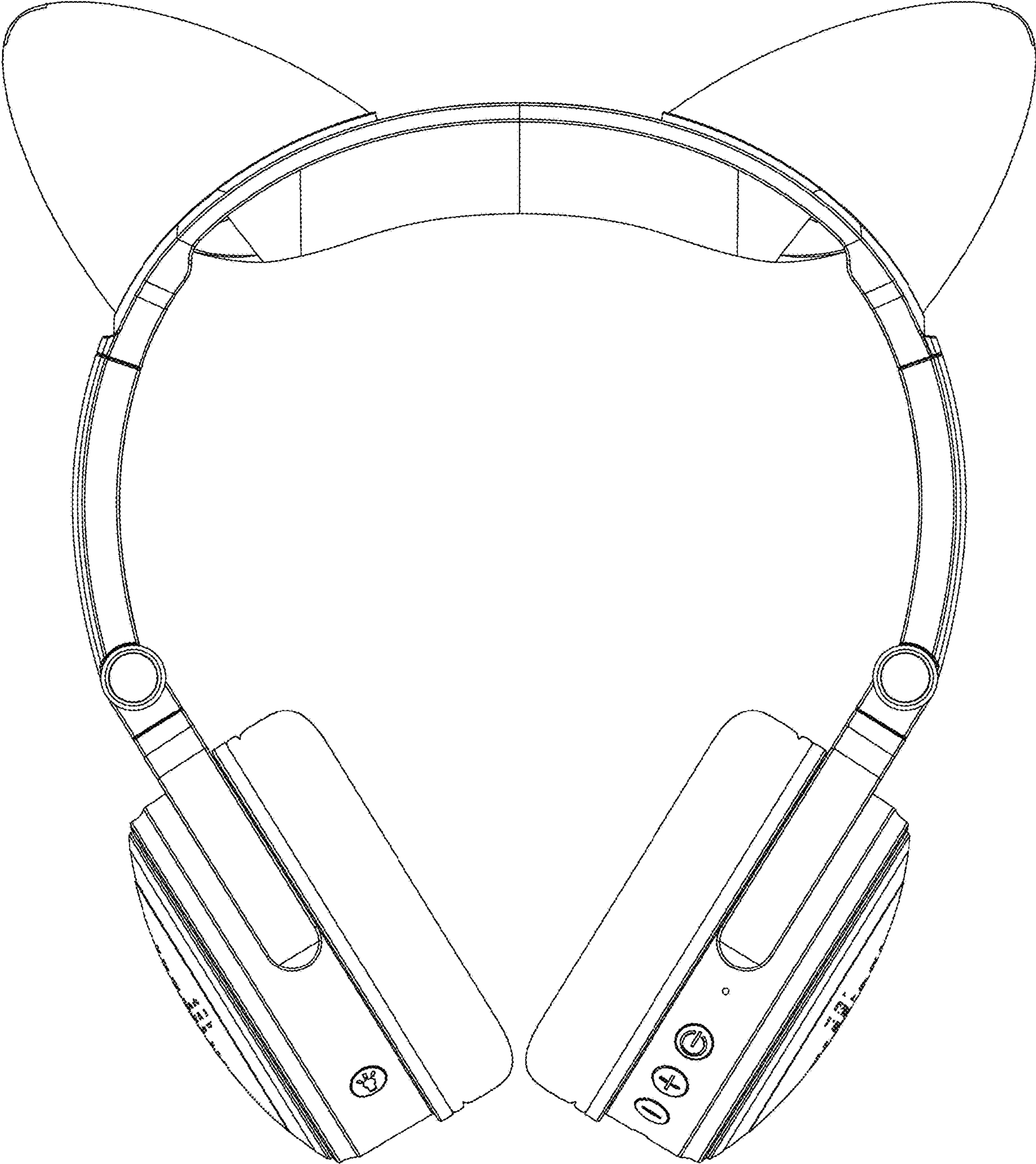


FIG. 2

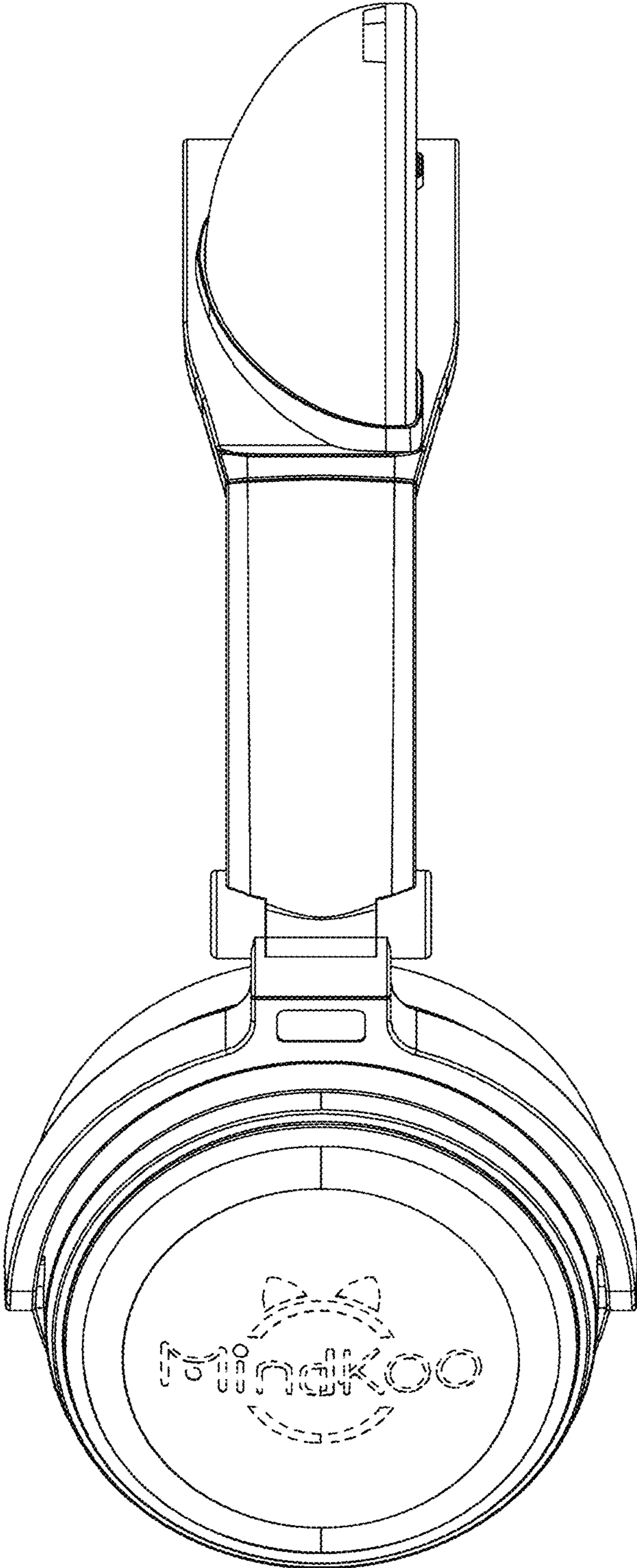


FIG. 3

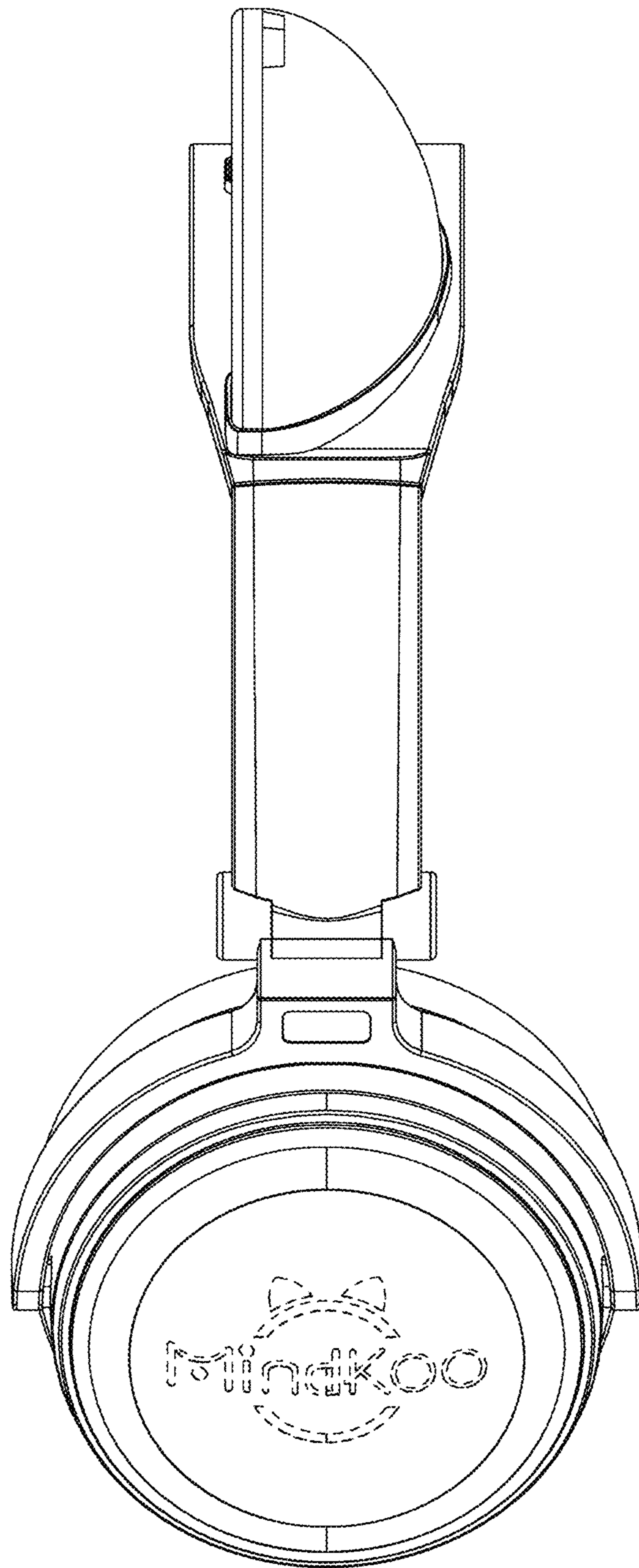


FIG. 4

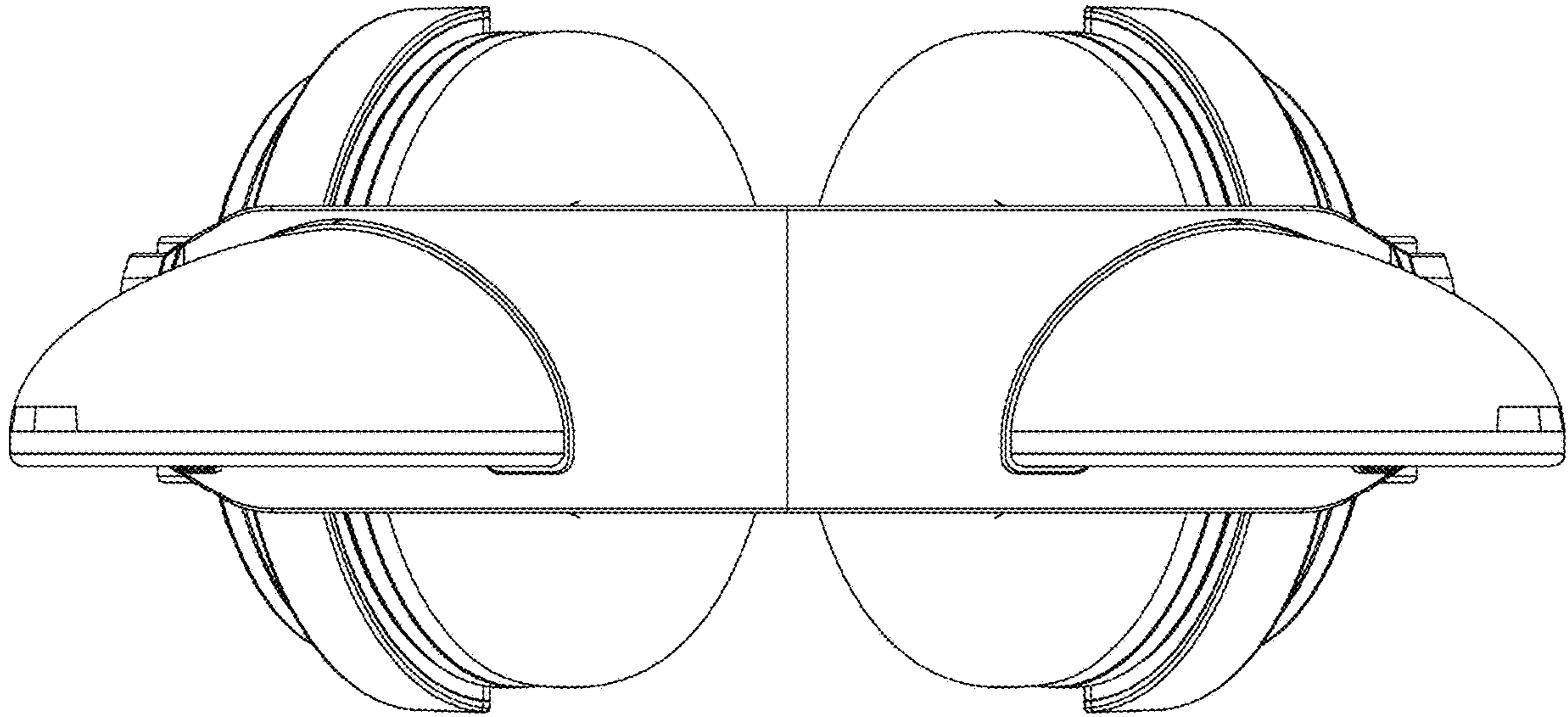


FIG. 5

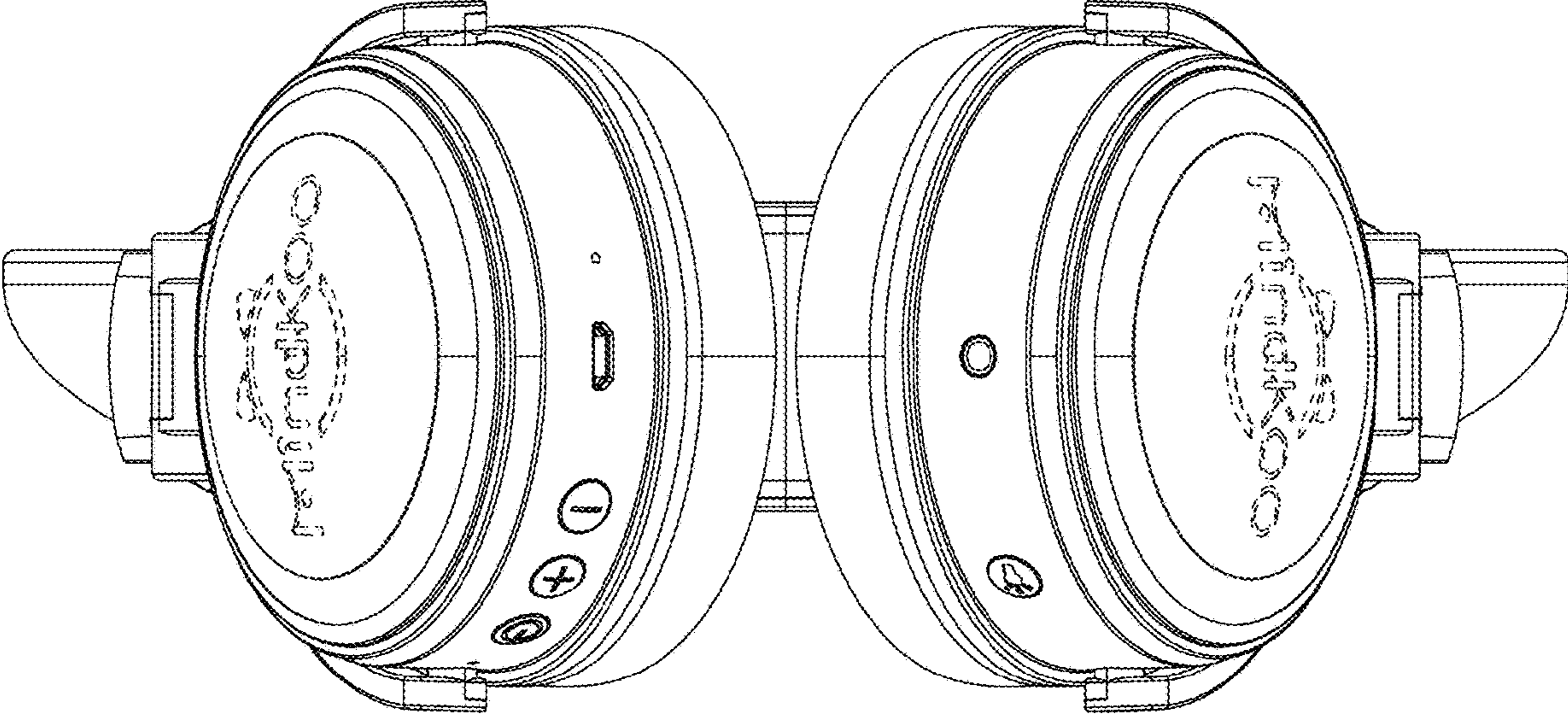


FIG. 6

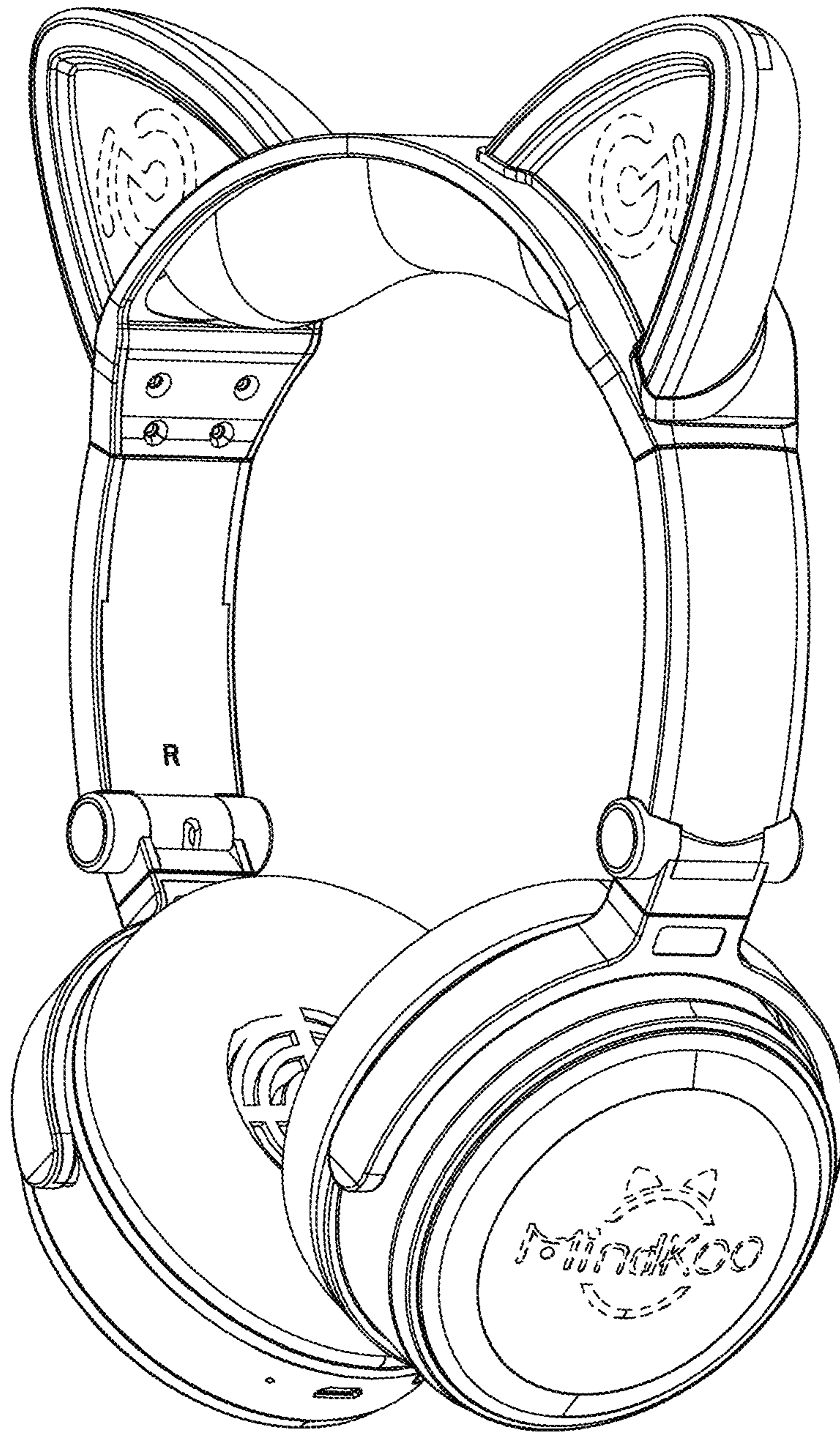


FIG. 7

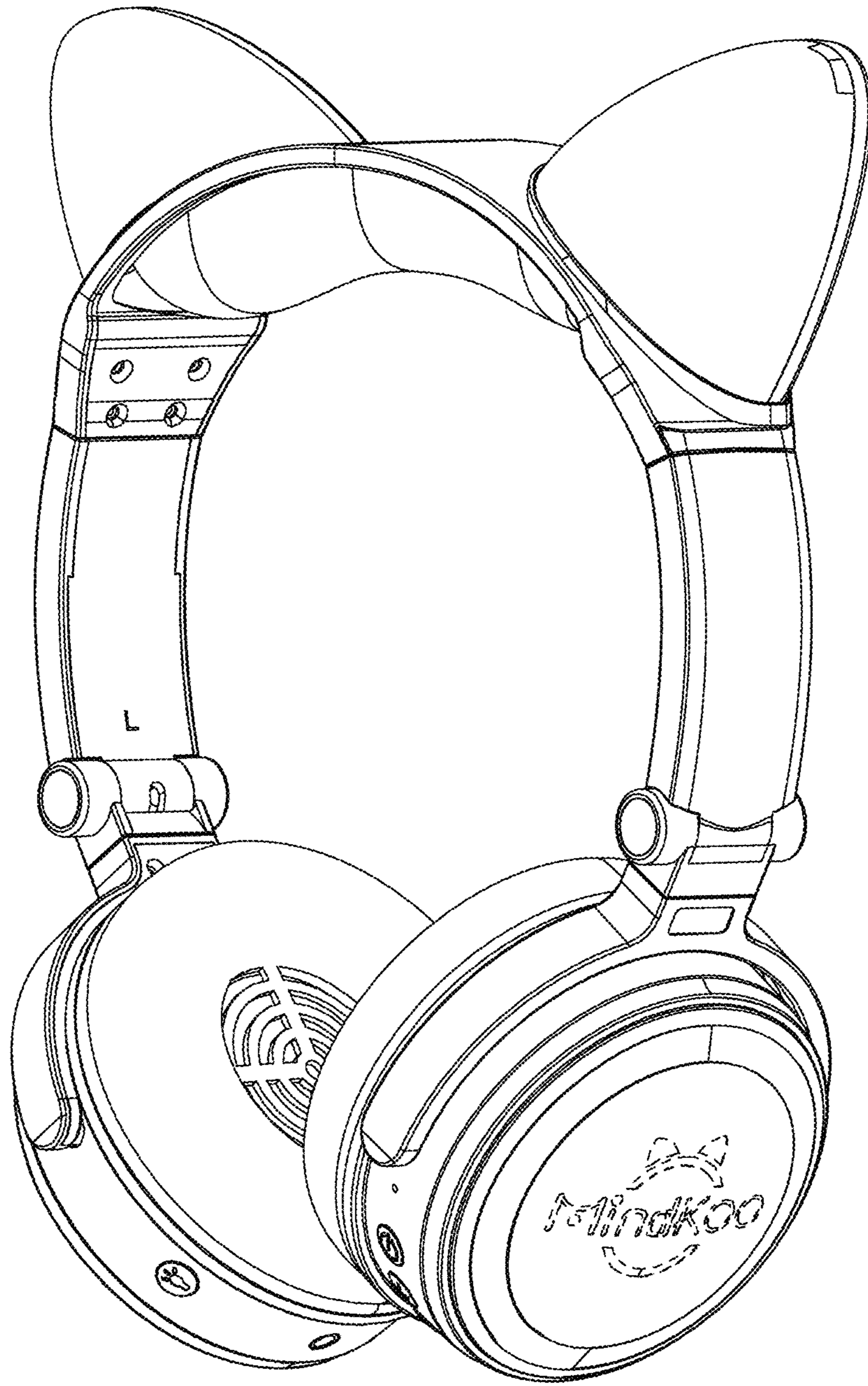


FIG. 8