



US00D884666S

(12) **United States Design Patent** (10) **Patent No.:** **US D884,666 S**
Shen (45) **Date of Patent:** **** May 19, 2020**

(54) **RECORD PLAYER**

(71) Applicant: **Xin Shen**, Jiangsu (CN)

(72) Inventor: **Xin Shen**, Jiangsu (CN)

(**) Term: **15 Years**

(21) Appl. No.: **29/721,227**

(22) Filed: **Jan. 18, 2020**

(51) **LOC (12) Cl.** **14-01**

(52) **U.S. Cl.**
USPC **D14/203**

(58) **Field of Classification Search**

USPC D14/498, 168, 199–203, 261;
369/264–265; 312/8.1, 8.3

CPC B60R 11/02; B60K 37/04; B60K 37/06;
H04B 1/08; H04B 1/082; G11B 17/16;
G11B 23/00; G11B 19/26; G11B 33/02

See application file for complete search history.

(56) **References Cited**

U.S. PATENT DOCUMENTS

D228,025 S *	7/1973	Askin	D14/203
D268,929 S *	5/1983	Tsuruta	D14/203
D279,096 S *	6/1985	Oura	D14/162
D331,238 S *	11/1992	Lewis	D14/168
D780,152 S *	2/2017	Bapu	D14/203
D845,268 S	4/2019	He		

OTHER PUBLICATIONS

Gramovox Floating Vertical Record Player, published on YouTube Jan. 11, 2016. <https://www.youtube.com/watch?v=iO2rLJcmKwg>.
Pyle Bluetooth Vertical Turntable, published on Digital Trends website Mar. 8, 2017. <https://www.digitaltrends.com/home-theater/pyle-usa-bluetooth-vertical-turntable/>.

* cited by examiner

Primary Examiner — Sandra L Morris

(74) *Attorney, Agent, or Firm* — Justin Lampel

(57) **CLAIM**

The ornamental design for a record player, as shown and described.

DESCRIPTION

FIG. 1 is a perspective view of a record player showing the claimed design;

FIG. 2 is a top plan view thereof;

FIG. 3 is a rear elevational view thereof;

FIG. 4 is a bottom plan view thereof;

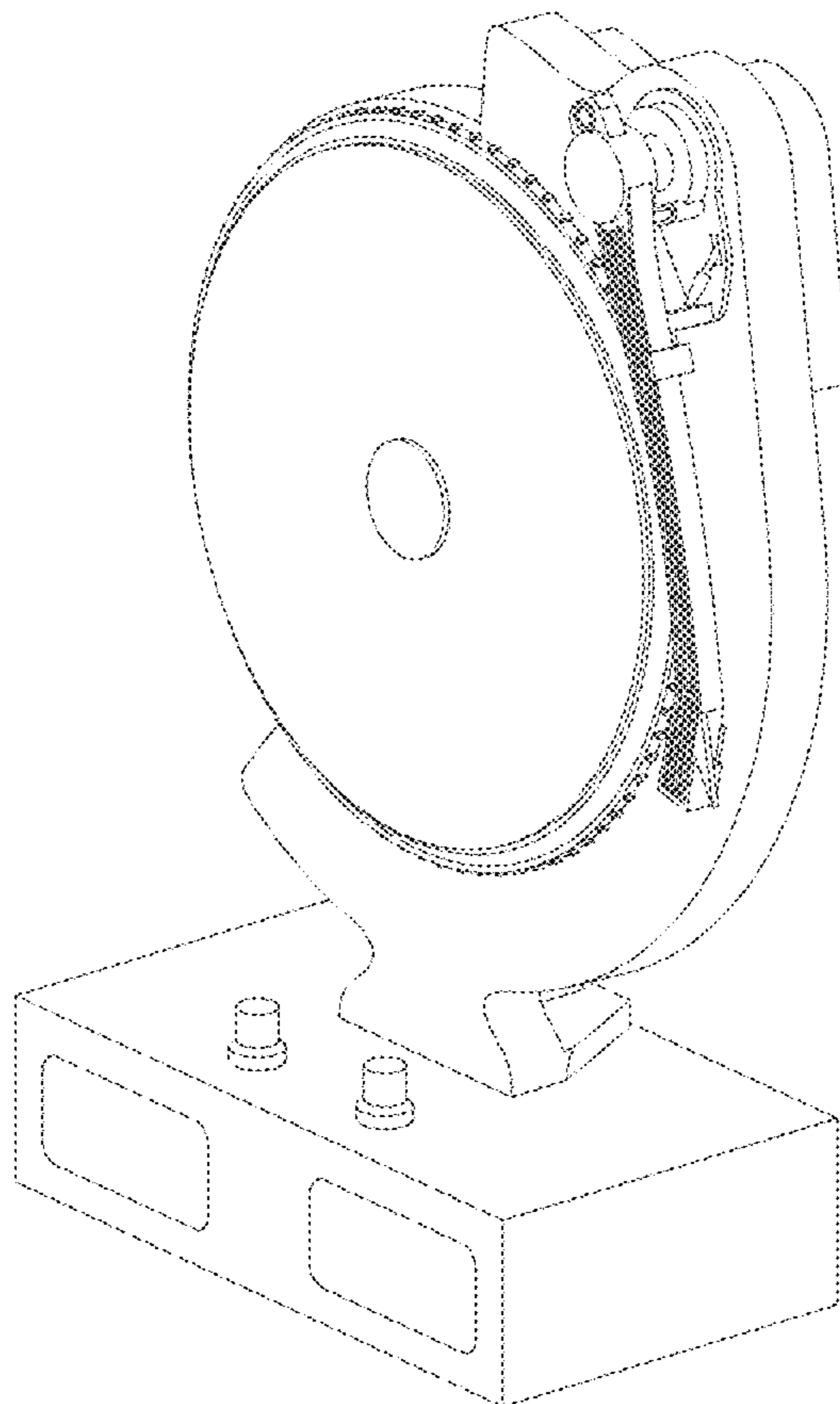
FIG. 5 is a right side view thereof;

FIG. 6 is a front elevational view thereof; and,

FIG. 7 is a left side view thereof.

The broken lines illustrate portions of the record player that form no part of the claimed design.

1 Claim, 7 Drawing Sheets



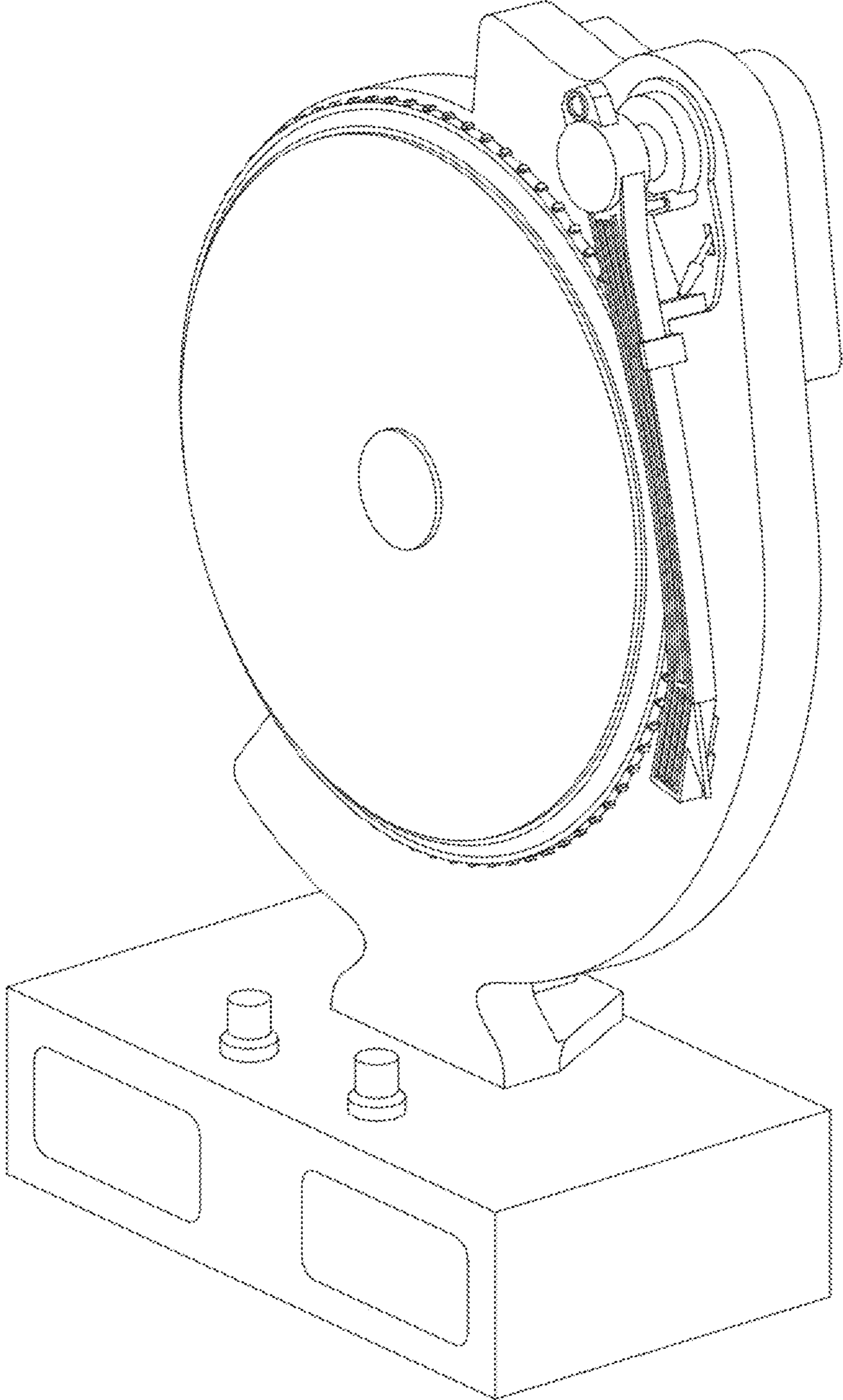


FIG. 1

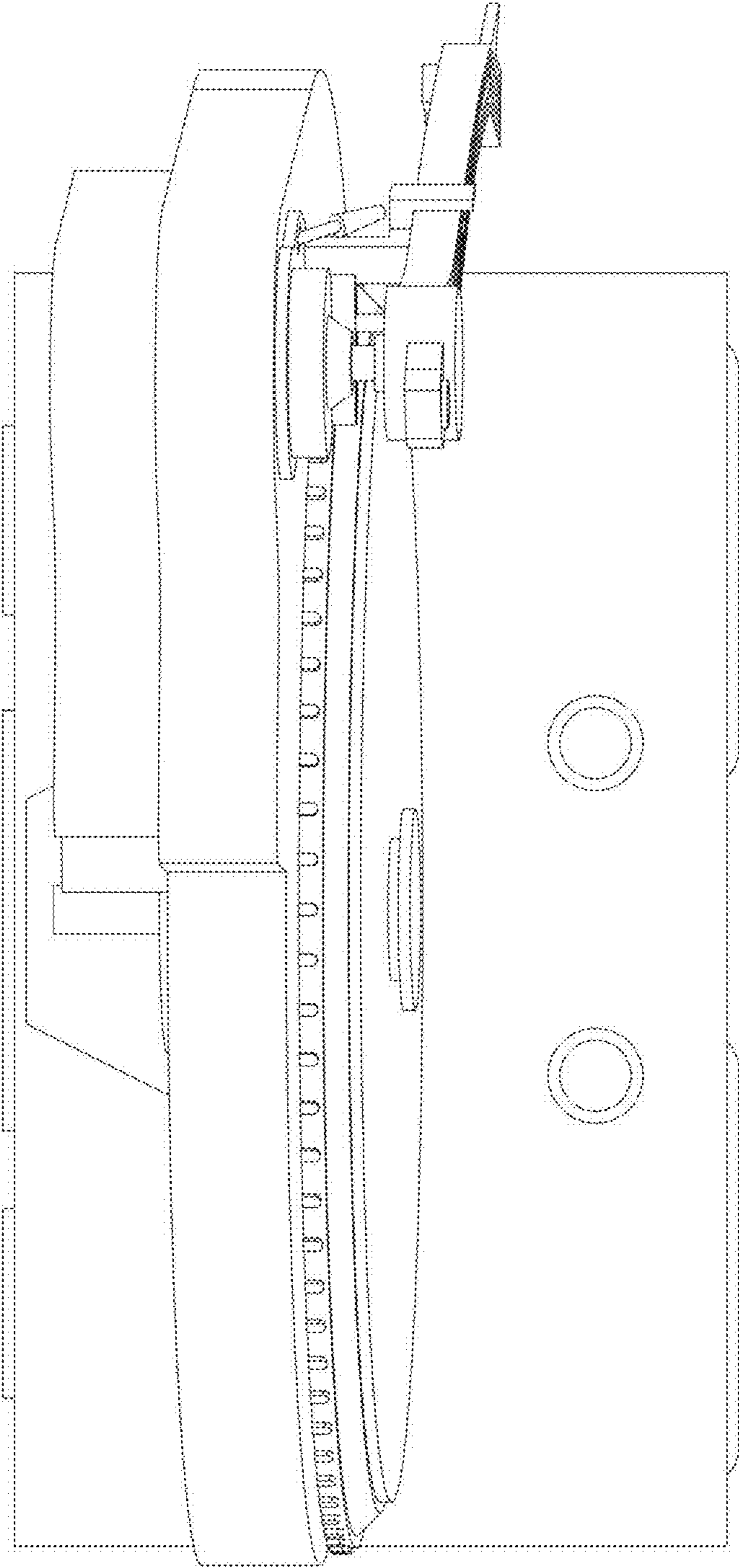


FIG. 2

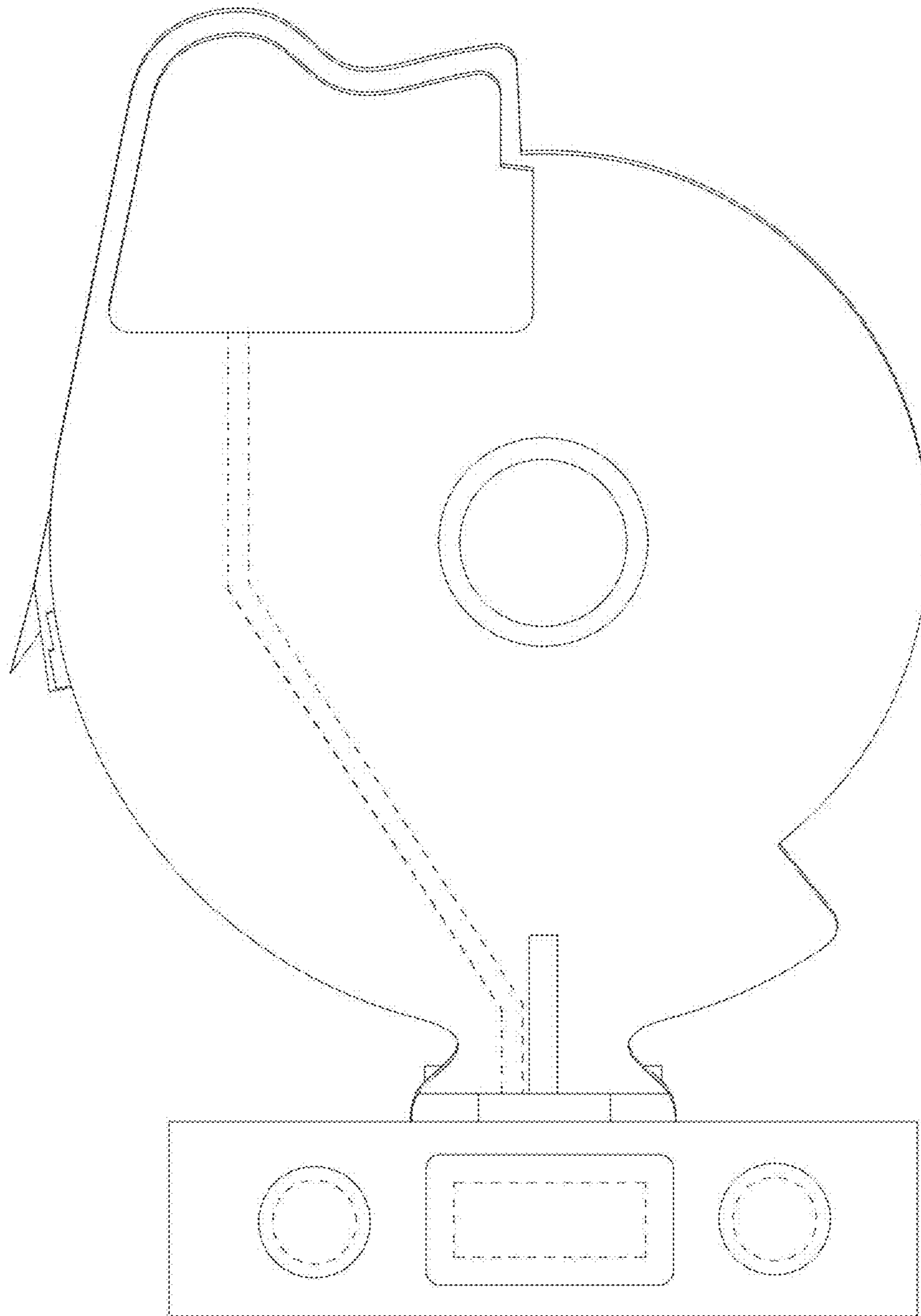


FIG. 3

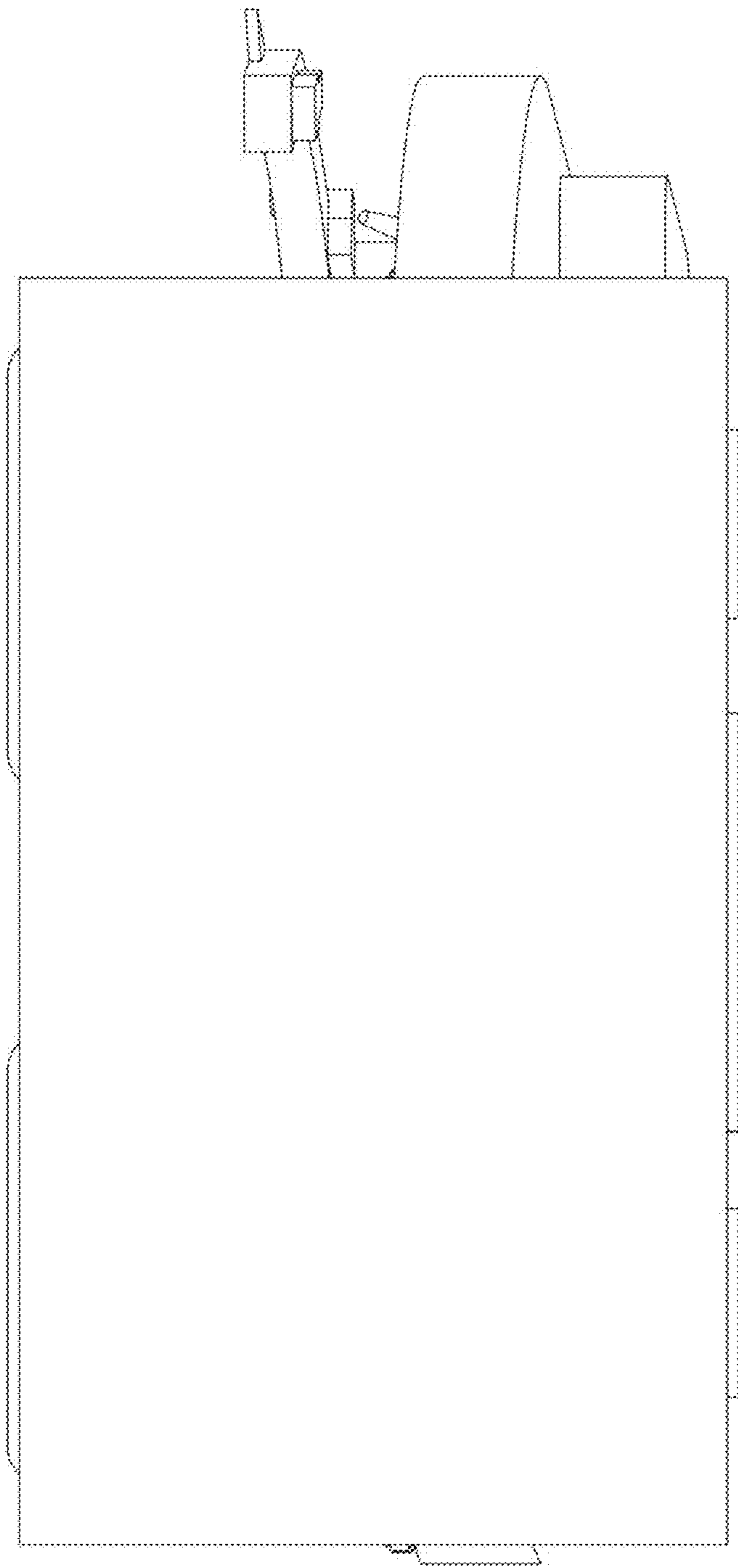


FIG. 4

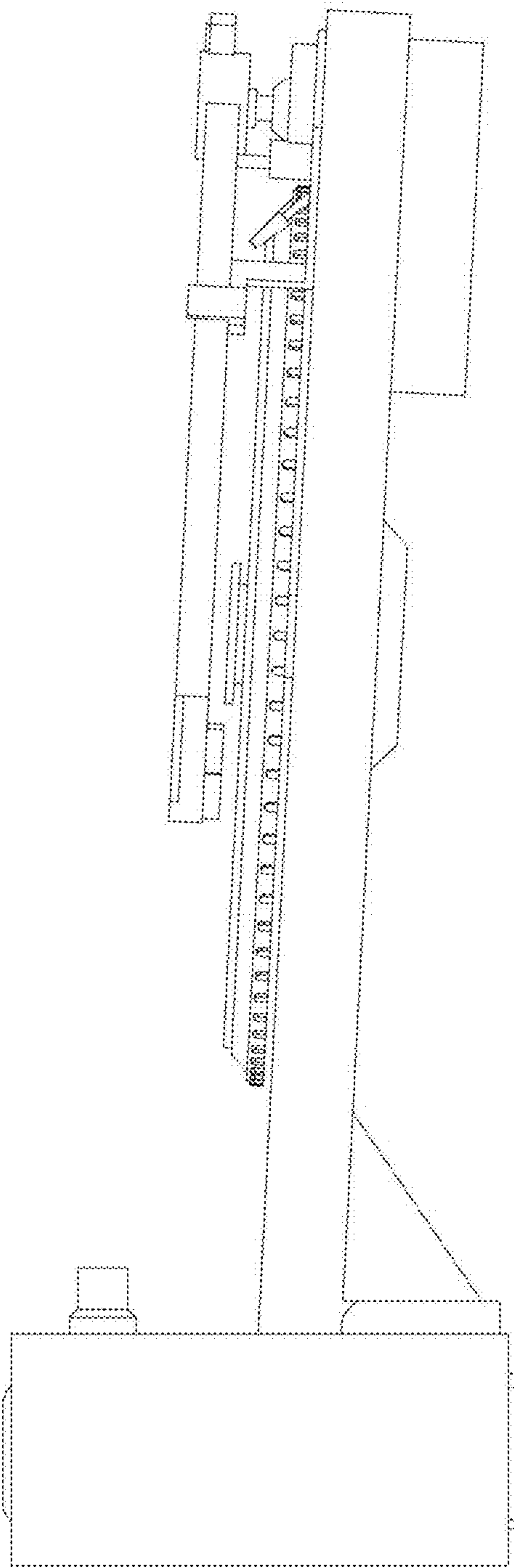


FIG. 5

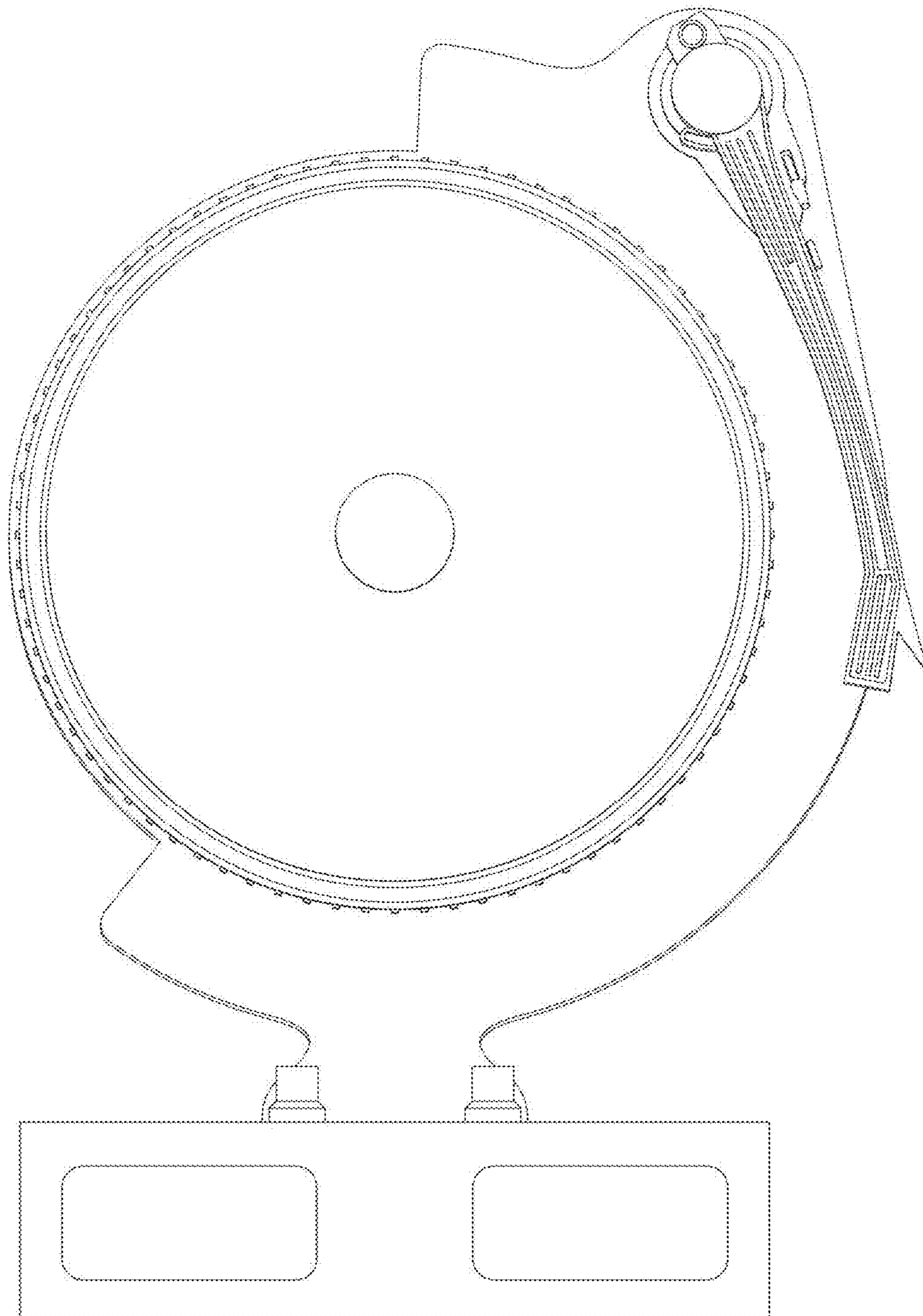


FIG. 6

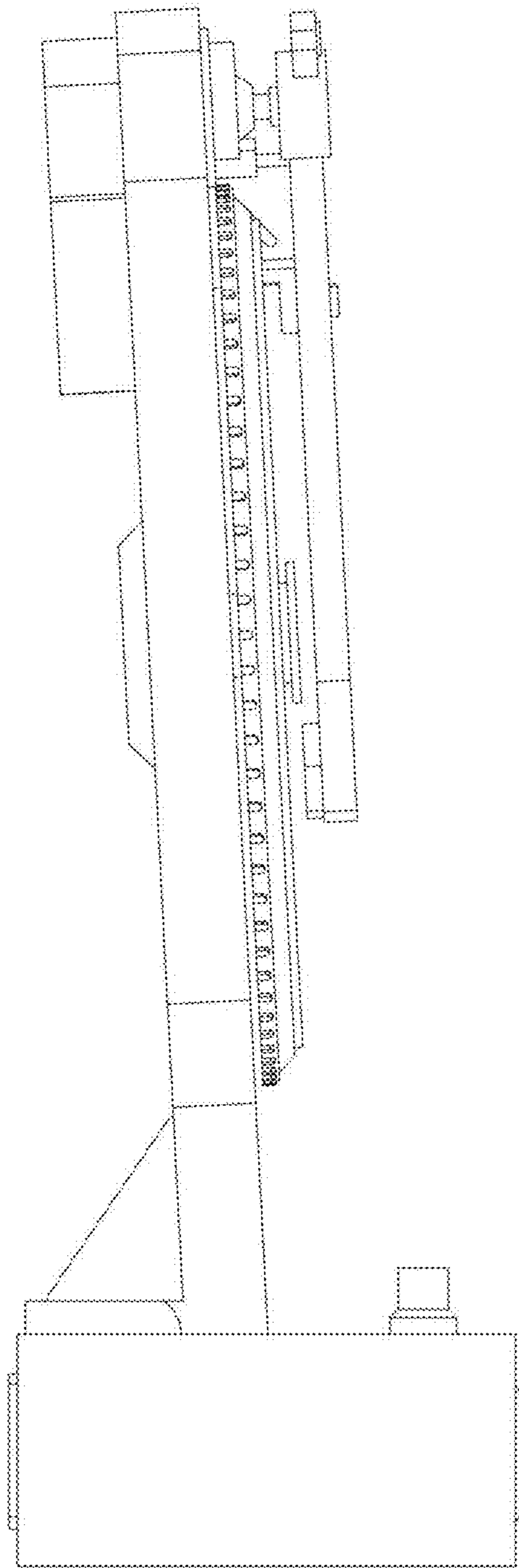


FIG. 7