



US00D884665S

(12) **United States Design Patent**
Zeng

(10) **Patent No.:** **US D884,665 S**

(45) **Date of Patent:** **** May 19, 2020**

(54) **FM RADIO AND WIRELESS SPEAKER HOUSING**

(71) Applicant: **Shenzhen Airmart Technology Co., Ltd**, Shenzhen, Guangdong (CN)

(72) Inventor: **Dejun Zeng**, Guangdong (CN)

(73) Assignee: **Shenzhen Airmart Technology Co., Ltd**, Shenzhen (CN)

(**) Term: **15 Years**

(21) Appl. No.: **29/686,375**

(22) Filed: **Apr. 4, 2019**

(51) **LOC (12) Cl.** **14-03**

(52) **U.S. Cl.**
USPC **D14/193; D14/194**

(58) **Field of Classification Search**
USPC D14/496-511, 168-172, 188-196,
D14/203.1-203.8, 204, 207, 209.1-216,
D14/217; D3/274
CPC B60K 35/00; B60K 37/00; B60K 37/02;
B60K 37/06; B60R 11/02; G11B 17/02;
G11B 17/04

See application file for complete search history.

(56) **References Cited**

U.S. PATENT DOCUMENTS

D375,311 S * 11/1996 Keseling D14/168
D459,882 S * 7/2002 Yuen D14/168

D476,152 S * 6/2003 Lee D14/168
D522,993 S * 6/2006 Harris, Jr. D14/195
D540,300 S * 4/2007 Amid-Hozour D14/188
D658,628 S * 5/2012 Hahner D14/196
D816,058 S * 4/2018 Zeng D14/155
D828,329 S * 9/2018 Zeng D14/168
D845,267 S * 4/2019 Zeng D14/194
D851,056 S * 6/2019 Zeng D14/188

OTHER PUBLICATIONS

Youtube video of Muzen Radio Unboxing: Z1 Gaming, dated Mar. 29, 2018. <https://www.youtube.com/watch?v=v8zE1GeKWDY>.*

* cited by examiner

Primary Examiner — Sandra L Morris

(57) **CLAIM**

The ornamental design for a FM radio and wireless speaker housing, as shown and described.

DESCRIPTION

FIG. 1 is a top, front and left side perspective view of a FM Radio and Wireless Speaker Housing showing my new design;

FIG. 2 is a top, front and right side perspective view thereof;

FIG. 3 is a top, rear and left side perspective view thereof;

FIG. 4 is a top, rear and right side perspective view thereof;

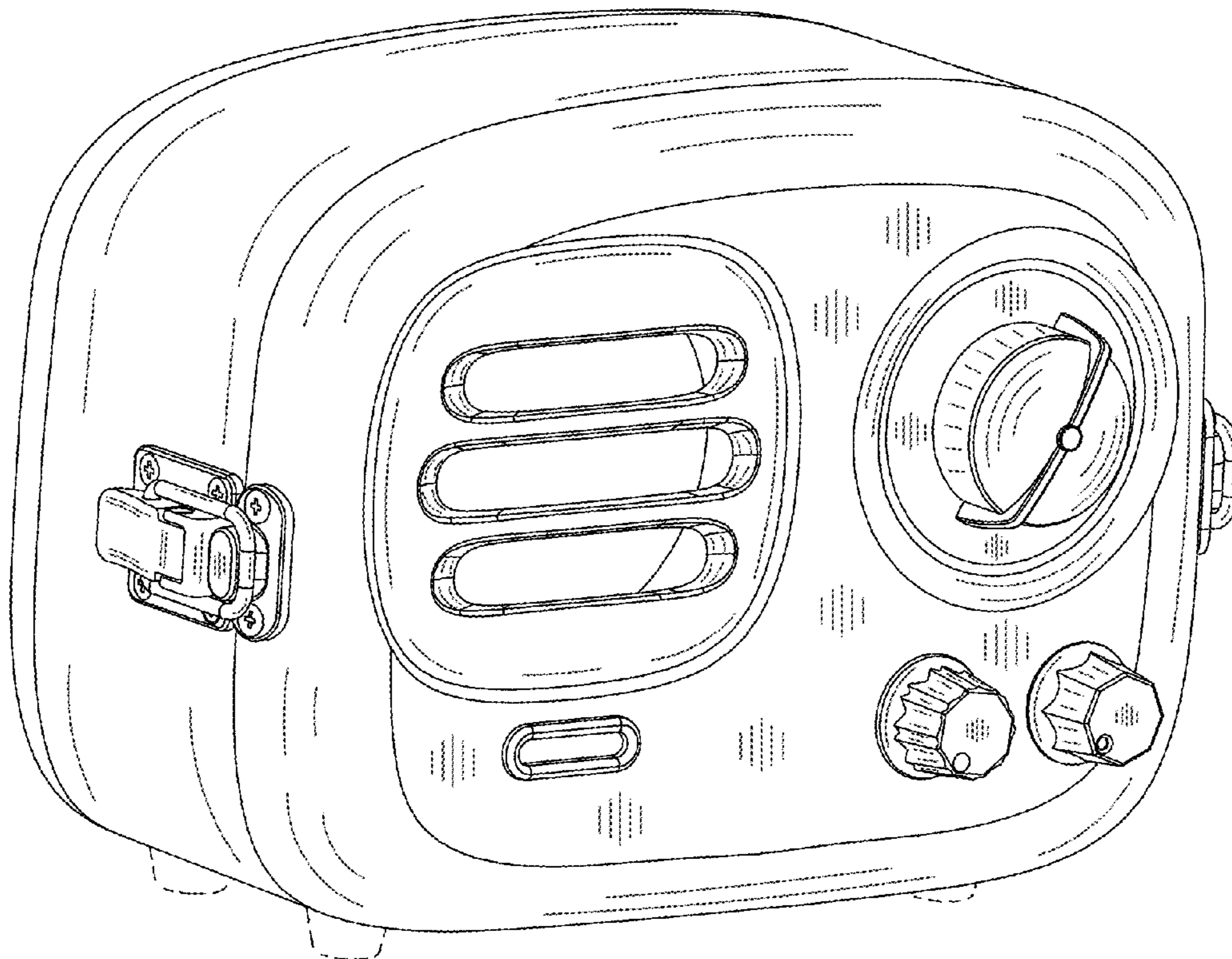
FIG. 5 is a top plan view thereof;

FIG. 6 is a left side view thereof; and,

FIG. 7 is a right side view thereof.

The broken lines in the drawings illustrate portions of the FM radio and wireless speaker housing which form no part of the claimed design.

1 Claim, 7 Drawing Sheets



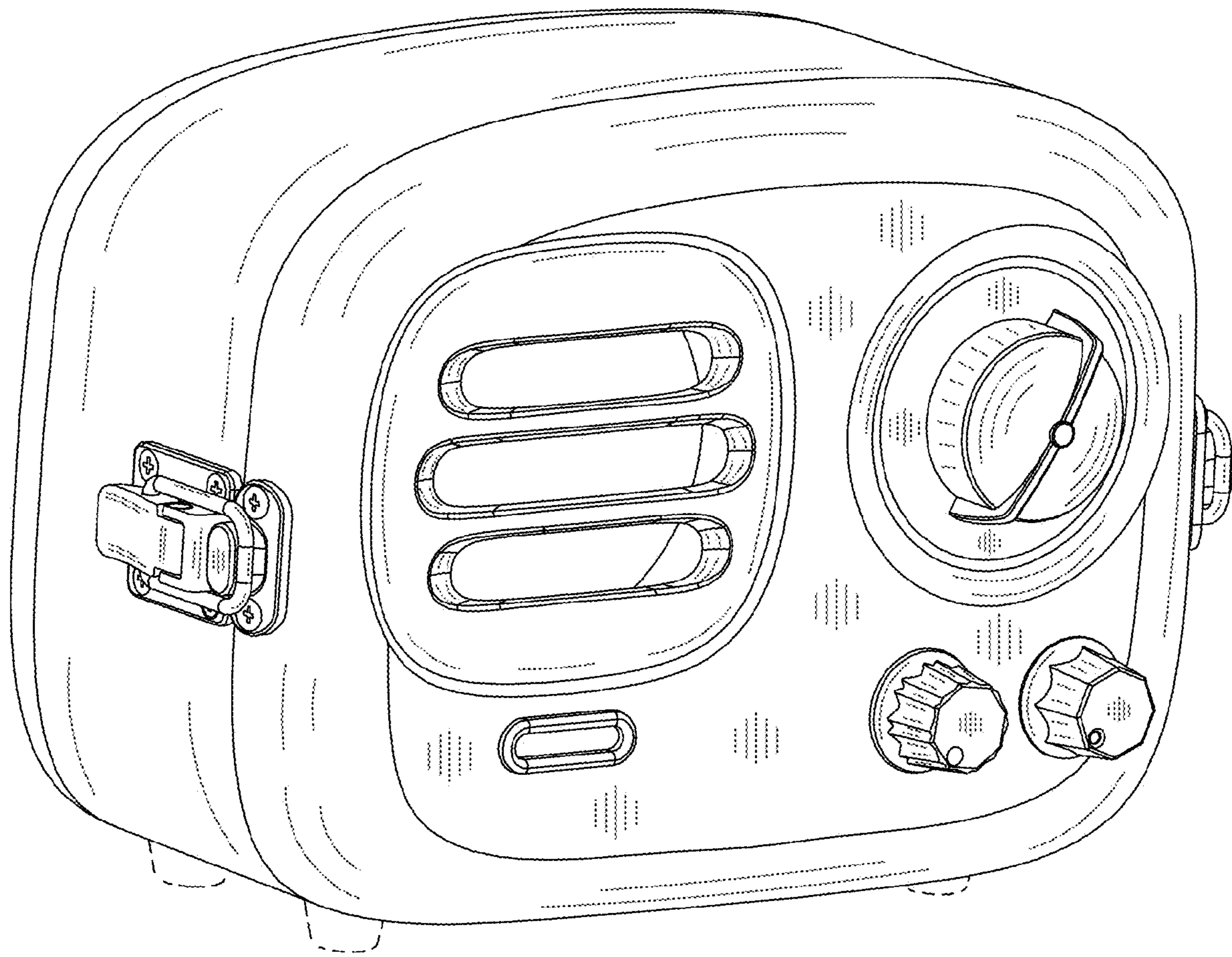


Fig.1

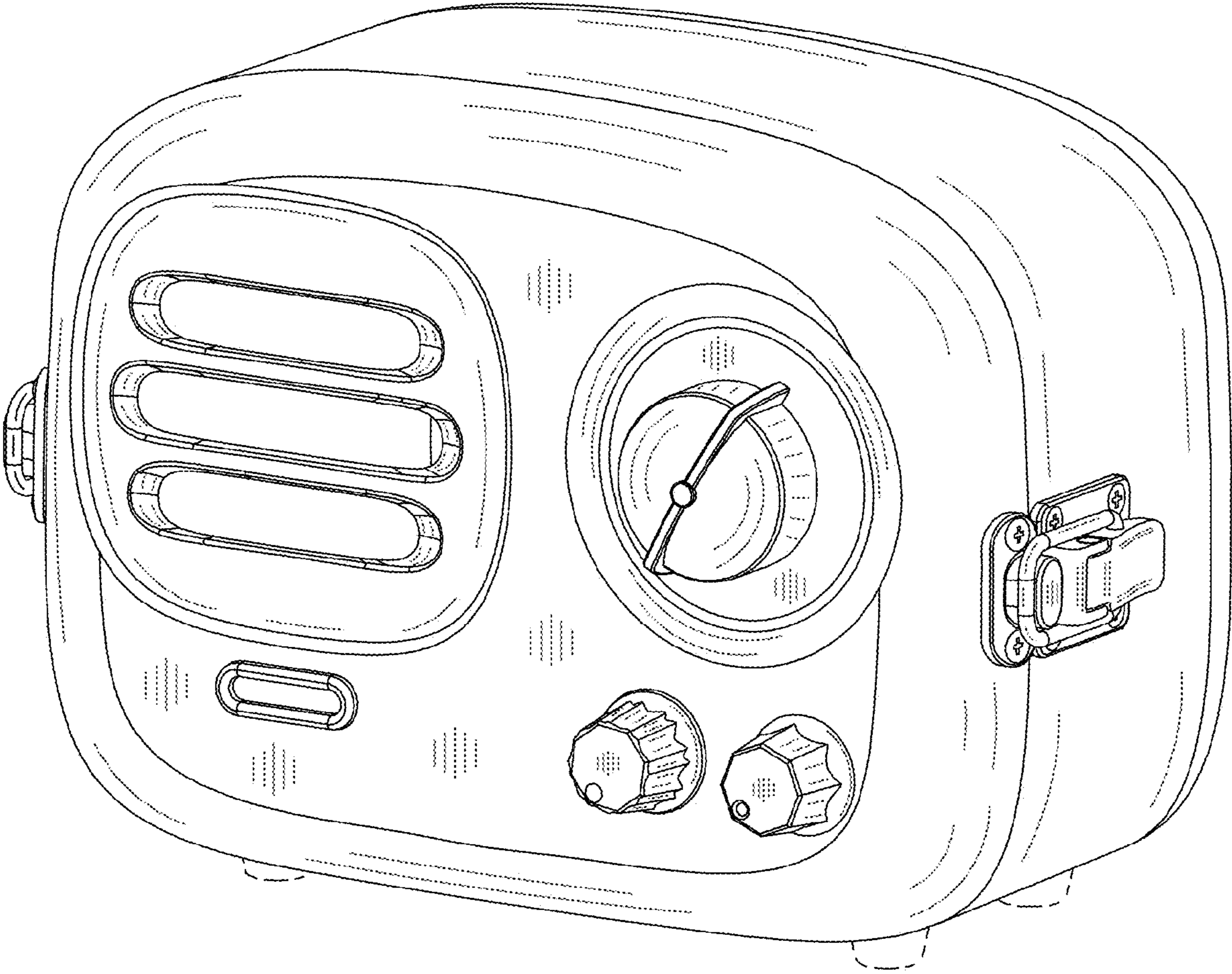


Fig.2

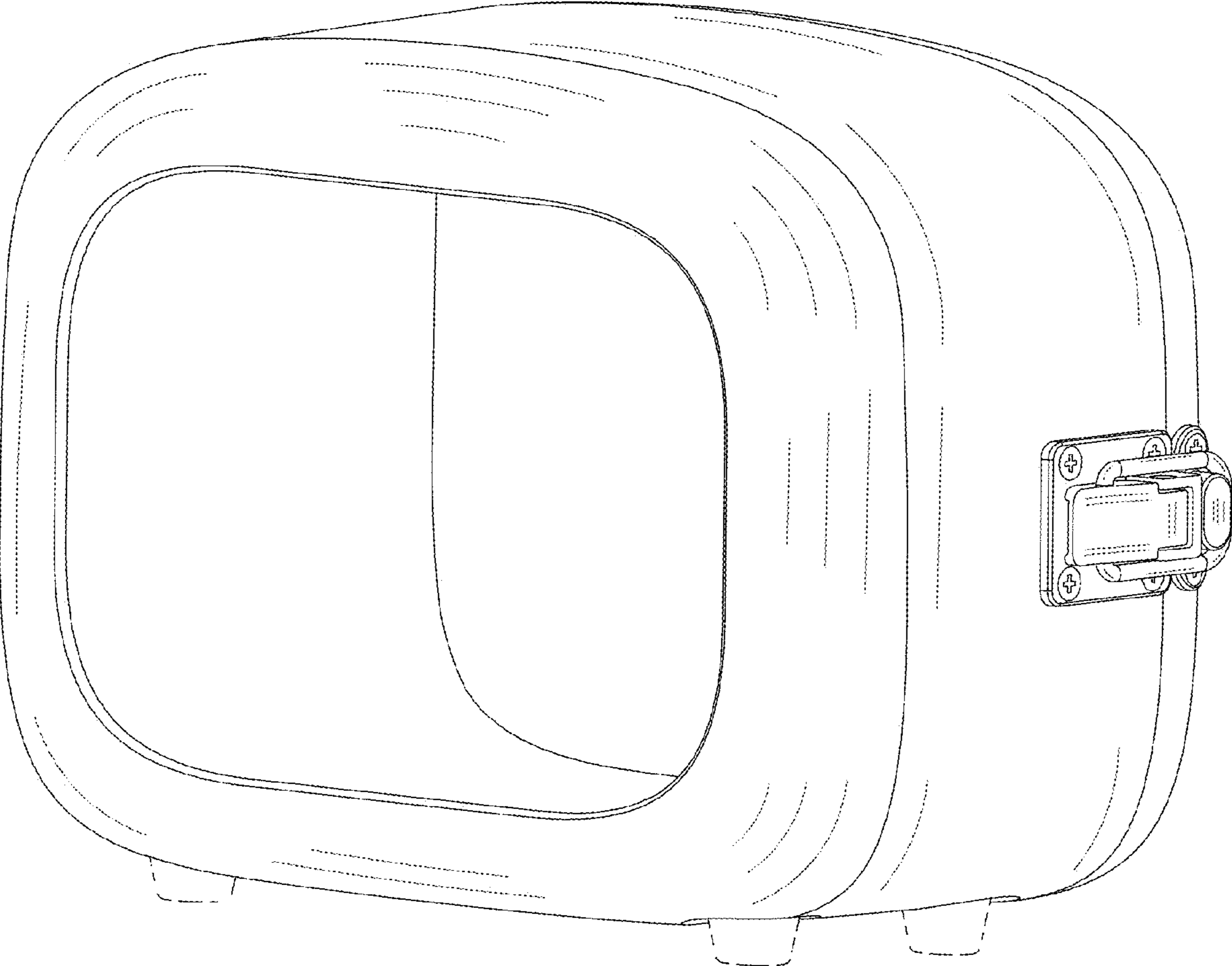


Fig.3

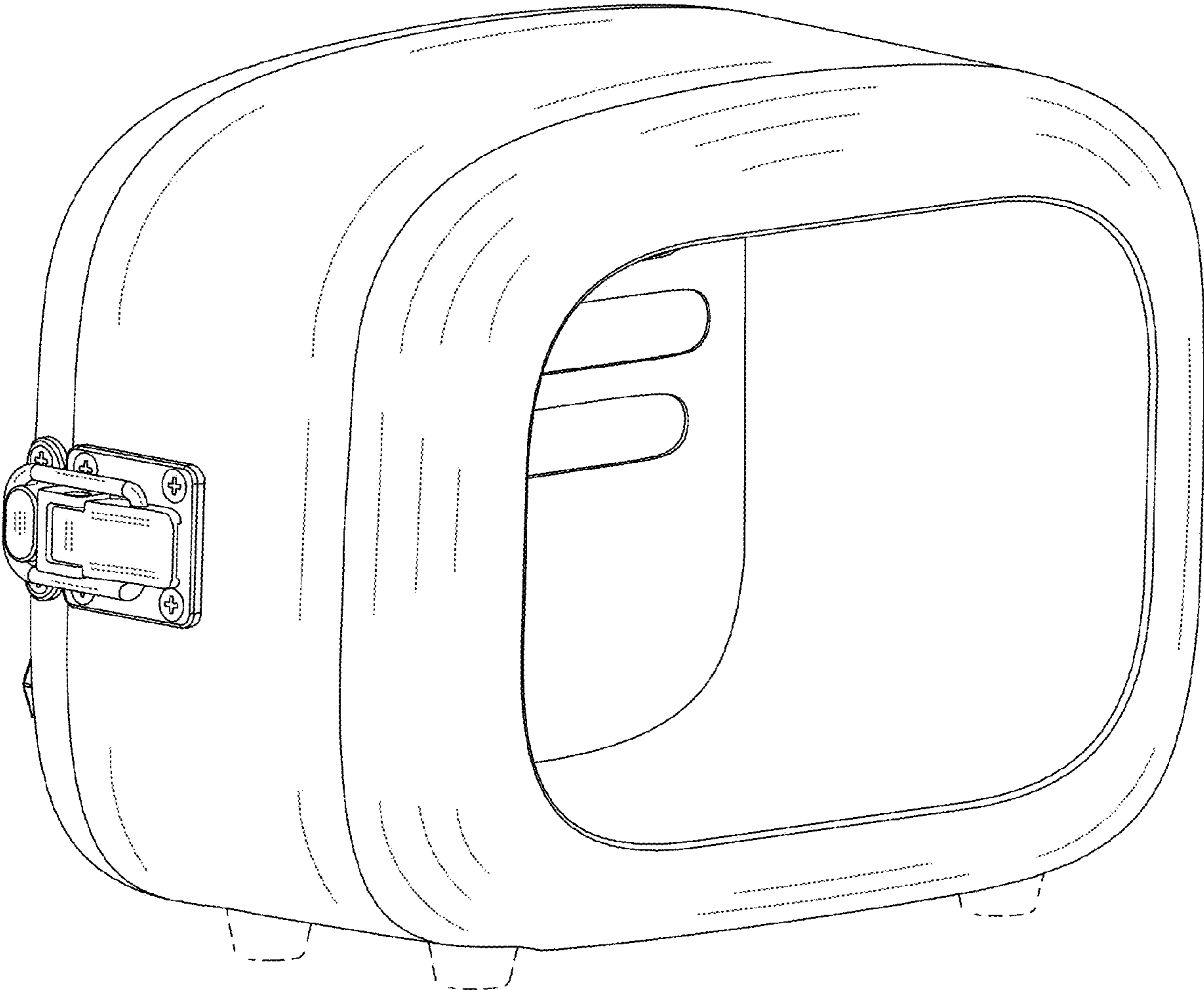


Fig.4



Fig.5

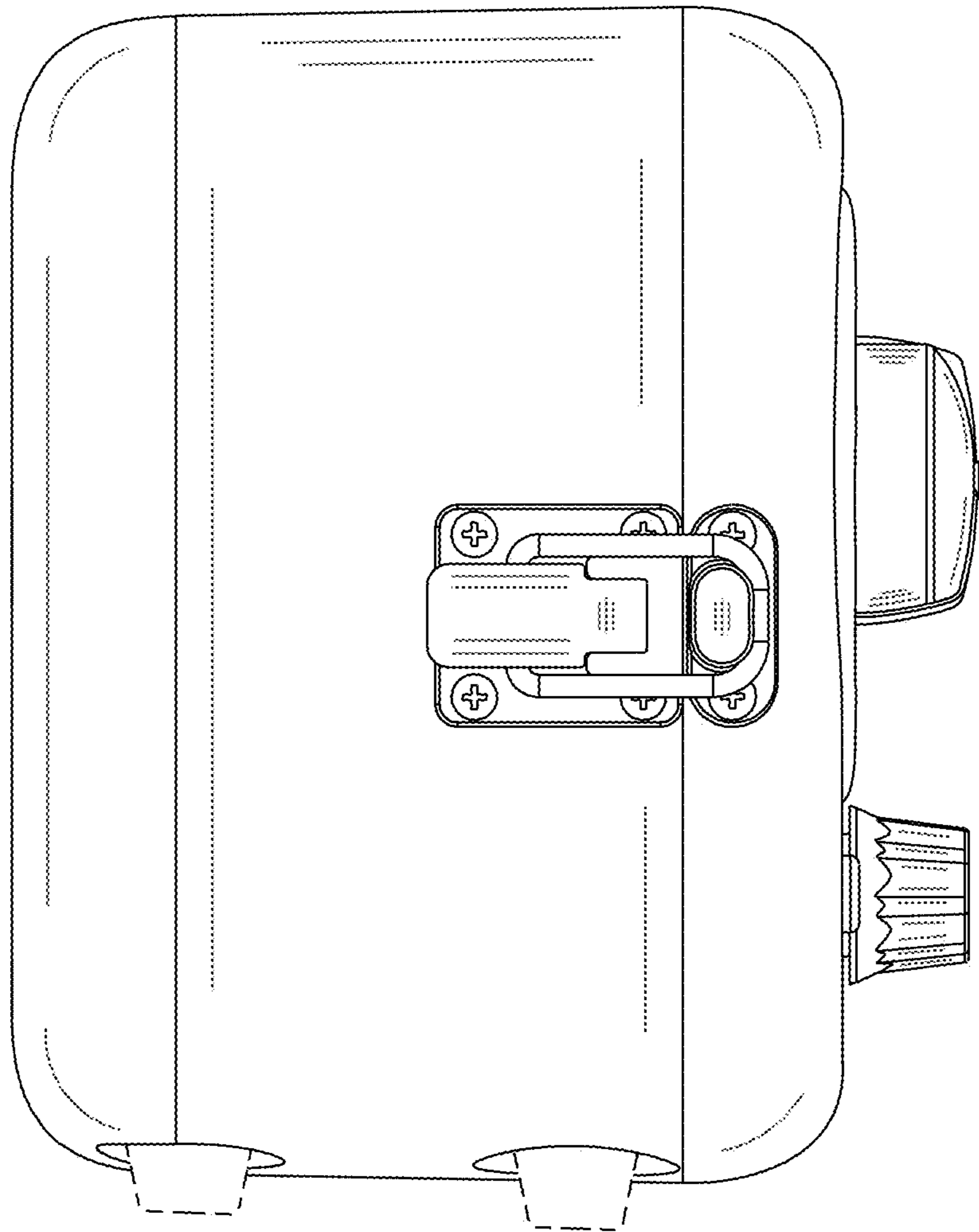


Fig.6

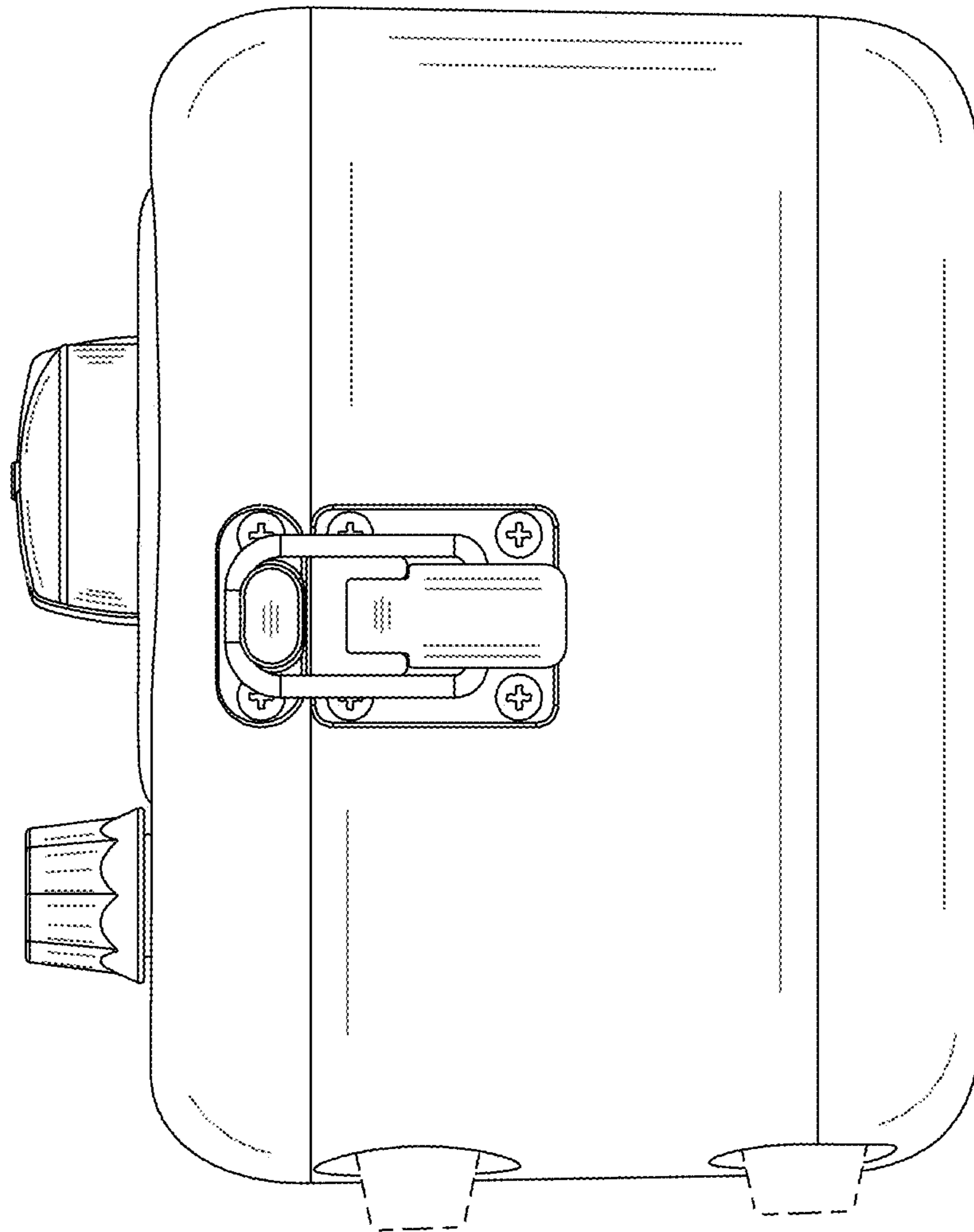


Fig.7