



US00D884664S

(12) **United States Design Patent** (10) **Patent No.:** **US D884,664 S**  
**Kwon** (45) **Date of Patent:** **\*\* May 19, 2020**

(54) **FLEXIBLE ELECTRONIC DEVICE**  
(71) Applicant: **Lenovo (Beijing) Co., Ltd.**, Beijing (CN)  
(72) Inventor: **Jincherl Kwon**, Beijing (CN)  
(73) Assignee: **Lenovo (Beijing) Co., Ltd.**, Beijing (CN)  
(\*\*) Term: **15 Years**  
(21) Appl. No.: **29/697,213**  
(22) Filed: **Jul. 5, 2019**

**Related U.S. Application Data**

(62) Division of application No. 29/639,255, filed on Mar. 5, 2018, now Pat. No. Des. 859,347, which is a division of application No. 29/562,445, filed on Apr. 26, 2016, now Pat. No. Des. 814,435.

**Foreign Application Priority Data**

Oct. 26, 2015 (CN) ..... 2015 3 0416725  
(51) **LOC (12) Cl.** ..... **14-03**  
(52) **U.S. Cl.**  
USPC ..... **D14/138 AB**  
(58) **Field of Classification Search**  
USPC ..... D14/138 G, 138 AB, 138 AD,  
D14/138 C, 138 AC, 138 R, 138 AA,  
D14/203.7, 203.3, 203.1, 248, 250, 341,  
D14/496  
CPC .... G06F 1/1626; G06F 1/1652; H04M 1/027;  
H04M 1/0202; H04M 1/0279; H04M  
1/0235; H04M 1/0237; H04M 1/0239;  
H04M 1/0266; H04M 1/0268; H04M  
1/029; H05K 5/0217  
See application file for complete search history.

(56) **References Cited**  
U.S. PATENT DOCUMENTS

D468,279 S	1/2003	Kim
D576,601 S	9/2008	Yasuda
D588,126 S	3/2009	Chiang
D589,923 S	4/2009	Kim
D597,059 S	7/2009	Haspil
D603,363 S	11/2009	Choi
8,194,399 B2	6/2012	Ashcraft

(Continued)

*Primary Examiner* — Sheryl Lane  
*Assistant Examiner* — Calvin E Vansant  
(74) *Attorney, Agent, or Firm* — Oppedahl Patent Law Firm LLC

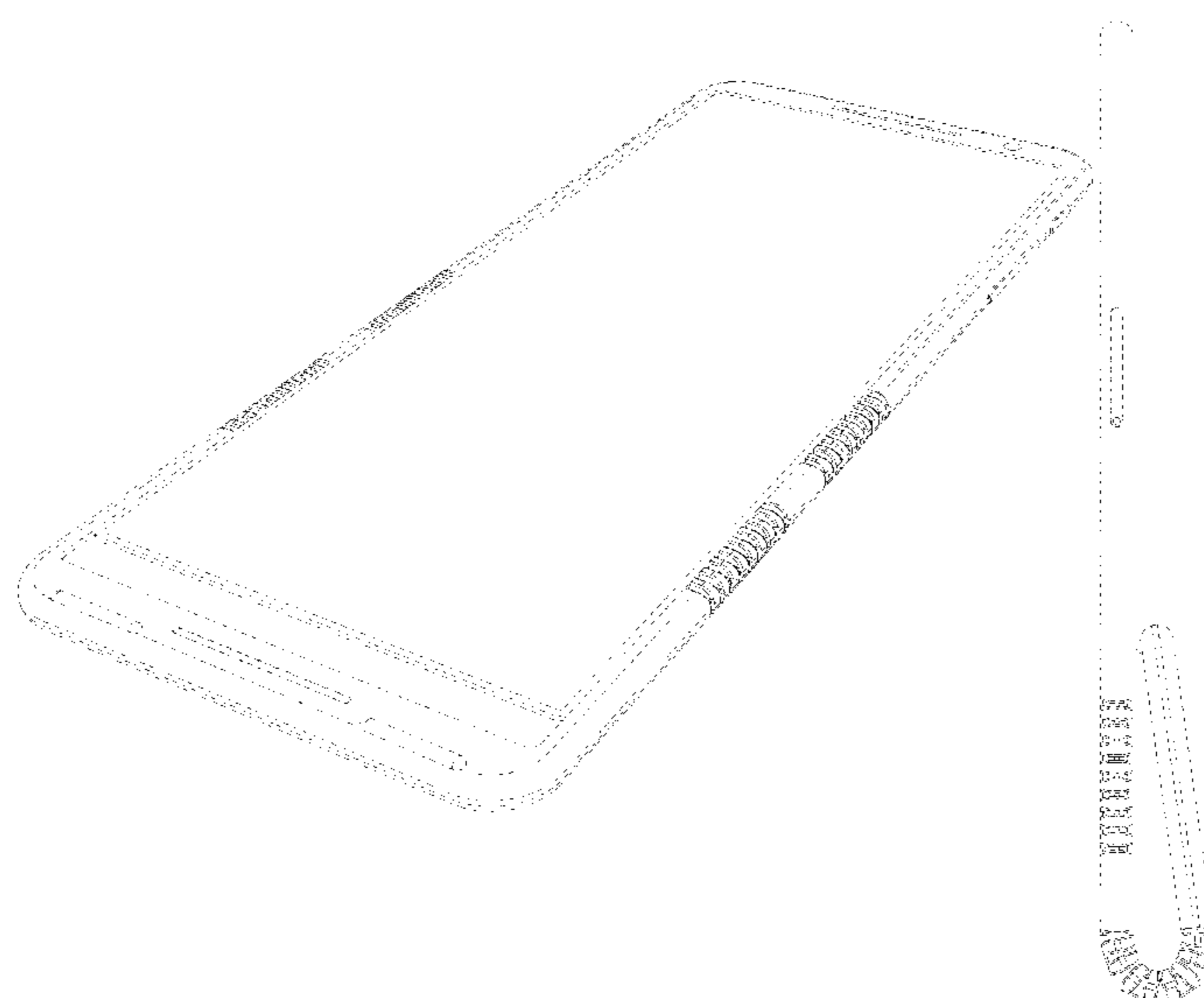
(57) **CLAIM**

The ornamental design for a flexible electronic device, as shown and described.

**DESCRIPTION**

FIG. 1 is a perspective view of a flexible electronic device showing the new design;  
FIG. 2 is a front view thereof;  
FIG. 3 is a back view thereof;  
FIG. 4 is a left side view thereof;  
FIG. 5 is a right side view thereof;  
FIG. 6 is a perspective view of the new design shown in a first bending position;  
FIG. 7 is a left side view of FIG. 6;  
FIG. 8 is a perspective view of the new design shown in a second bending position;  
FIG. 9 is a left side view of FIG. 8;  
FIG. 10 is a perspective view of the new design shown in a third bending position;  
FIG. 11 is a left side view of FIG. 10; and  
FIG. 12 is another perspective view of the new design shown in a third bending position.  
The features shown in broken lines in the drawings depict environmental subject matter and form no part of the claimed design.

**1 Claim, 11 Drawing Sheets**



(56)

References Cited

U.S. PATENT DOCUMENTS

8,306,575 B2	11/2012	Kubodera		10,063,677 B2	8/2018	Cavallaro et al.	
D681,000 S *	4/2013	Koh	G06F 1/1652 D14/203.4	D828,321 S *	9/2018	Yeom	D14/138 AB
D681,055 S	4/2013	Koh		10,186,183 B2 *	1/2019	Lee	G09G 3/20
D697,044 S	1/2014	Zhang et al.		10,261,601 B2 *	4/2019	Kwon	G06F 3/0346
D709,487 S	7/2014	Kang et al.		D859,347 S *	9/2019	Kwon	D14/138 AB
D713,841 S	9/2014	Lim et al.		2006/0105824 A1	5/2006	Kim	
8,837,126 B2	9/2014	Cho et al.		2012/0314399 A1	12/2012	Bohn	
D715,758 S	10/2014	Yun		2013/0216740 A1	8/2013	Russell-Clarke et al.	
D715,759 S	10/2014	Choi et al.		2013/0321340 A1	12/2013	Seo	
D716,246 S	10/2014	Yun		2014/0198036 A1	7/2014	Kim et al.	
D716,247 S *	10/2014	Yun	D10/32	2014/0226275 A1 *	8/2014	Ko	G06F 1/1626 361/679.27
D716,751 S	11/2014	Lee et al.		2014/0255899 A1	9/2014	Poullain	
D717,261 S *	11/2014	Yun	H04M 1/0214 D14/138 R	2014/0285476 A1 *	9/2014	Cho	G06F 1/1601 345/204
D719,540 S	12/2014	Lee et al.		2014/0319550 A1	10/2014	Yamazaki et al.	
D723,489 S	3/2015	Song		2014/0353613 A1	12/2014	Cheon	
D726,673 S	4/2015	Lee et al.		2015/0023030 A1 *	1/2015	Tsukamoto	G06F 1/1652 362/419
9,013,864 B2	4/2015	Griffin et al.		2015/0055287 A1	2/2015	Seo	
9,069,521 B2	6/2015	Lee		2015/0131222 A1 *	5/2015	Kauhaniemi	G06F 1/1652 361/679.27
9,173,287 B1 *	10/2015	Kim	H05K 1/028	2015/0153778 A1	6/2015	Jung	
D744,448 S	12/2015	Im et al.		2015/0338888 A1	11/2015	Kim et al.	
D744,992 S	12/2015	Lee et al.		2015/0378397 A1	12/2015	Park et al.	
D745,001 S	12/2015	Cho et al.		2015/0378557 A1	12/2015	Jeong et al.	
D746,285 S	12/2015	Okabe		2016/0062408 A1	3/2016	Lee et al.	
D749,571 S	2/2016	Park et al.		2016/0132074 A1	5/2016	Kim et al.	
D749,573 S	2/2016	Park et al.		2016/0139634 A1 *	5/2016	Cho	G06F 1/1652 361/679.27
D749,574 S	2/2016	Park et al.		2016/0155967 A1 *	6/2016	Lee	H01L 51/5281 257/88
D749,575 S	2/2016	Park et al.		2016/0187935 A1 *	6/2016	Tazbaz	G06F 1/1681 361/679.03
D749,576 S	2/2016	Park et al.		2016/0187994 A1 *	6/2016	La	G06F 1/1652 345/619
D764,431 S	8/2016	Hibi		2016/0195901 A1 *	7/2016	Kauhaniemi	G06F 1/1652 361/679.27
D767,526 S	9/2016	Lee et al.		2016/0195938 A1 *	7/2016	Kim	H04B 1/3827 345/156
D772,225 S	11/2016	Kim et al.		2016/0324023 A1	11/2016	Kim et al.	
D775,095 S	12/2016	Kim et al.		2016/0349802 A1 *	12/2016	Ahn	G06F 1/1641
D775,597 S	1/2017	Kim et al.		2016/0357221 A1 *	12/2016	Huh	G06F 1/1652
D776,073 S	1/2017	Kim et al.		2016/0357222 A1 *	12/2016	Seo	G06F 1/1652
D777,129 S	1/2017	Xu et al.		2017/0235343 A1 *	8/2017	Cho	G06F 1/1616 361/679.27
D778,862 S	2/2017	Hibi et al.		2018/0136700 A1 *	5/2018	Chen	E05D 3/06
D788,726 S	6/2017	Lee et al.		2018/0329460 A1 *	11/2018	Song	G06F 1/16
D788,734 S *	6/2017	Park	D14/138 AB				
D788,735 S	6/2017	Daniel					
9,710,021 B2	7/2017	Kauhaniemi et al.					
D795,861 S *	8/2017	Seo	D14/341				
D800,112 S	10/2017	Park et al.					
9,927,841 B2 *	3/2018	Gheorghiu	G06F 1/1652				
D814,435 S *	4/2018	Kwon	D14/138 AB				
D814,455 S *	4/2018	Kwon	D14/341				

\* cited by examiner

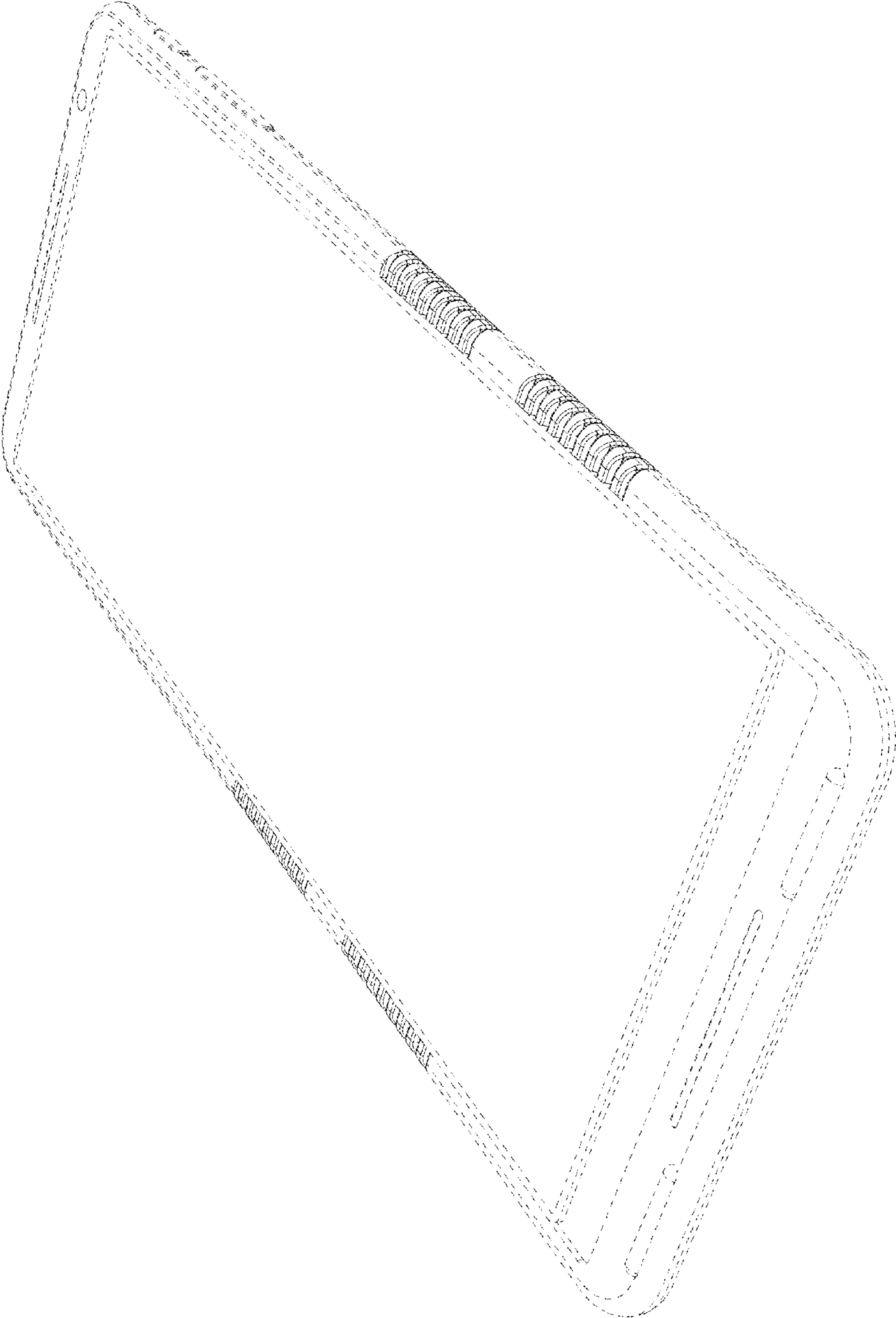


Fig. 1

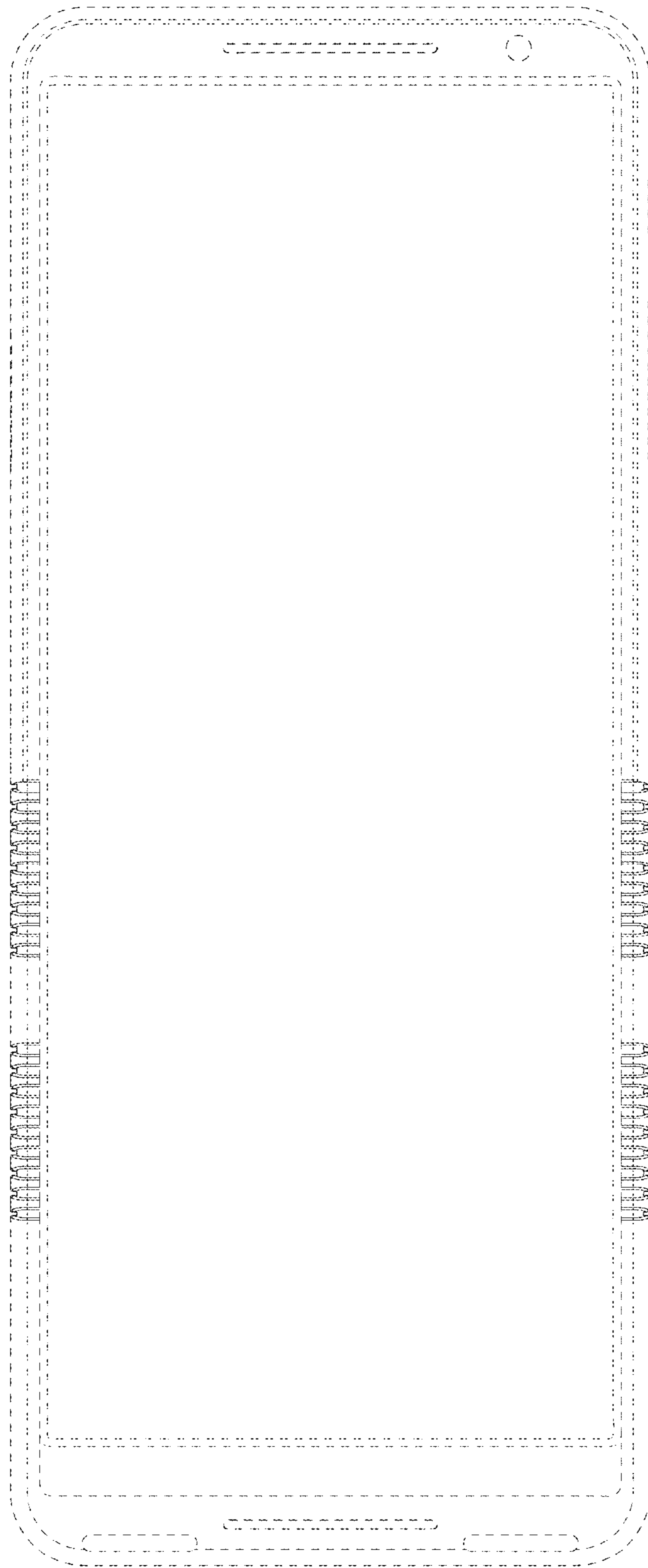


Fig. 2



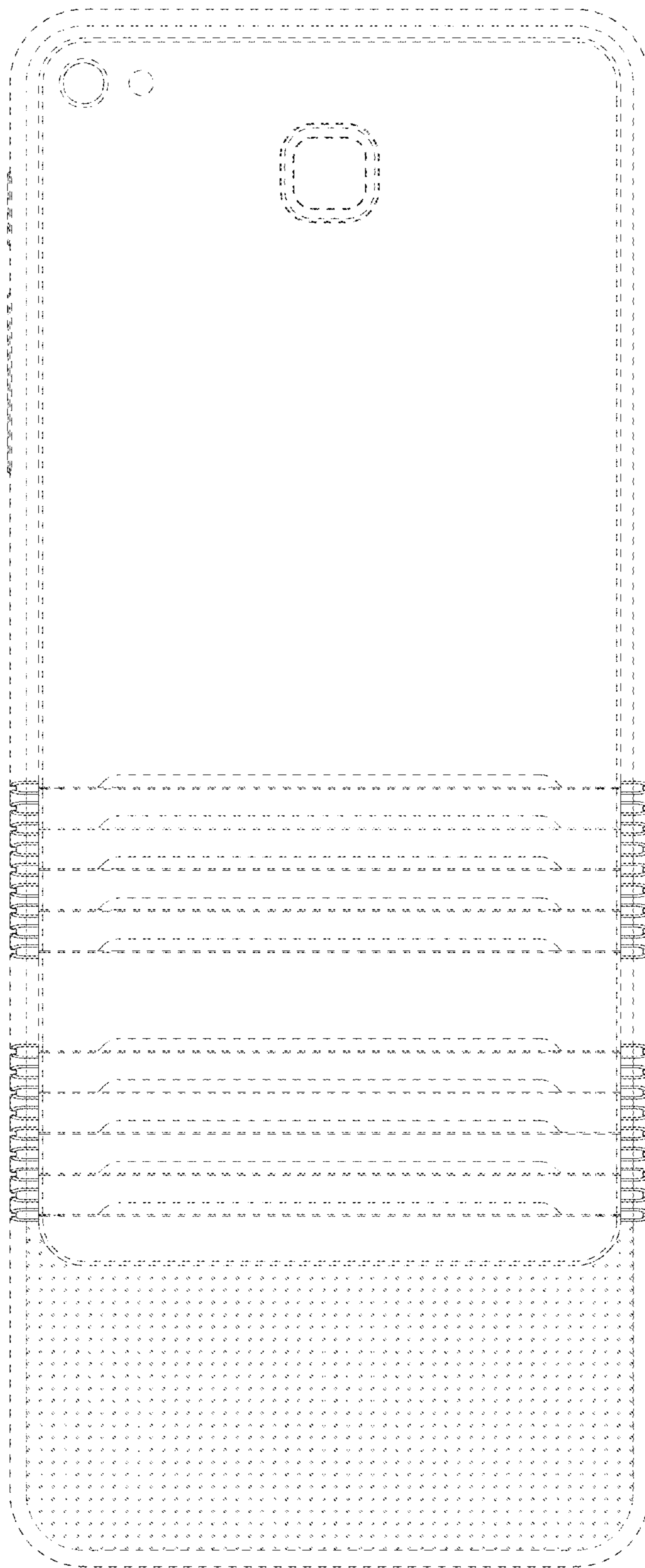


Fig. 3

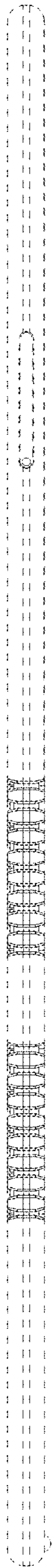


Fig. 4

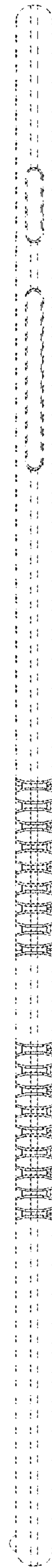


Fig. 5



Fig. 6

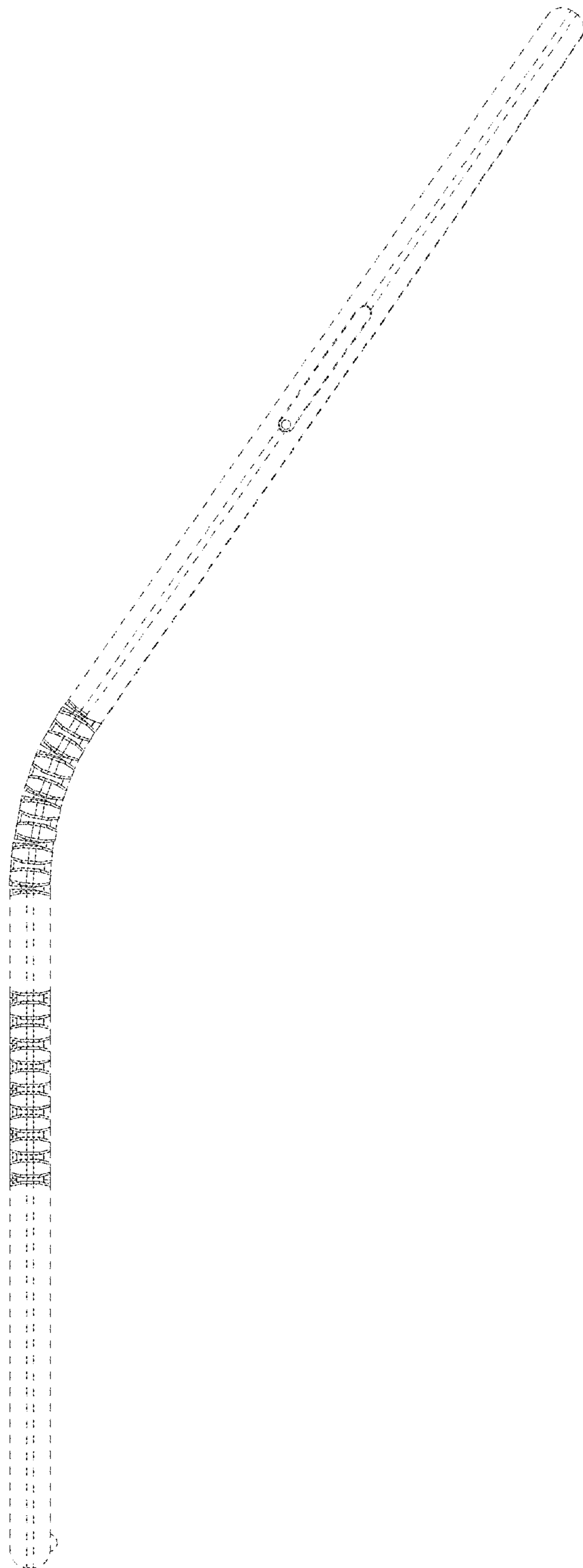


Fig. 7



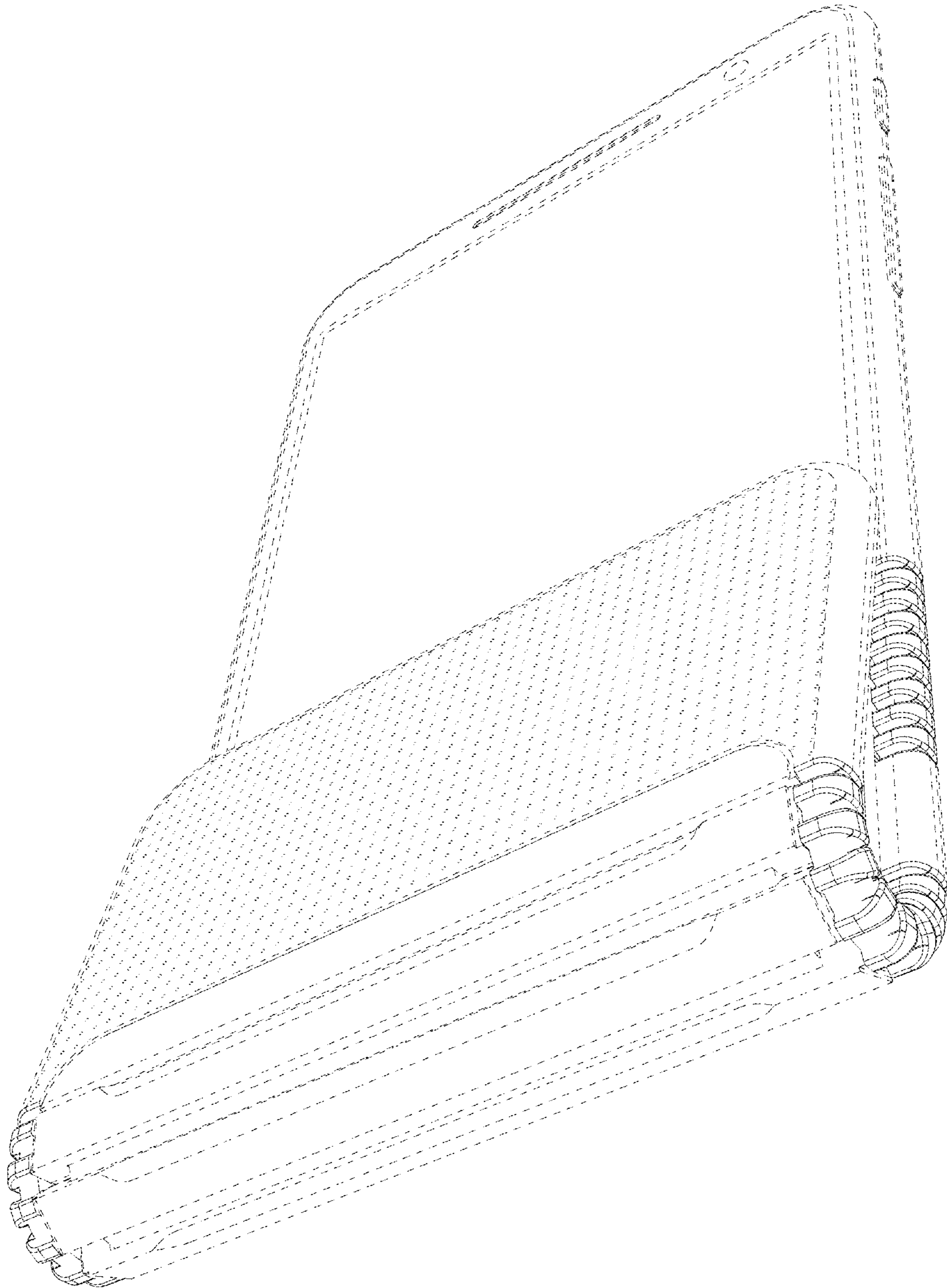


Fig. 8

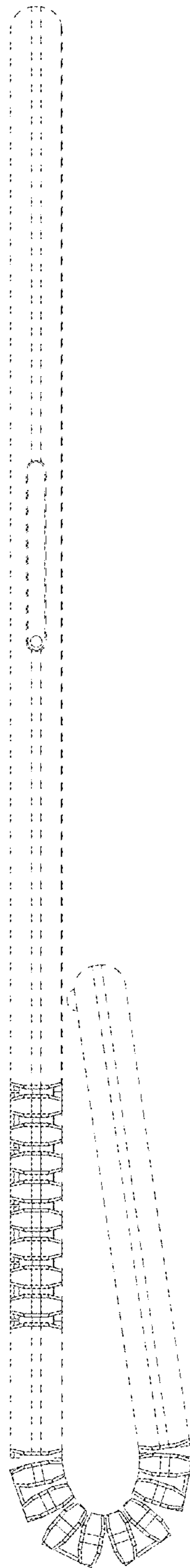


Fig. 9

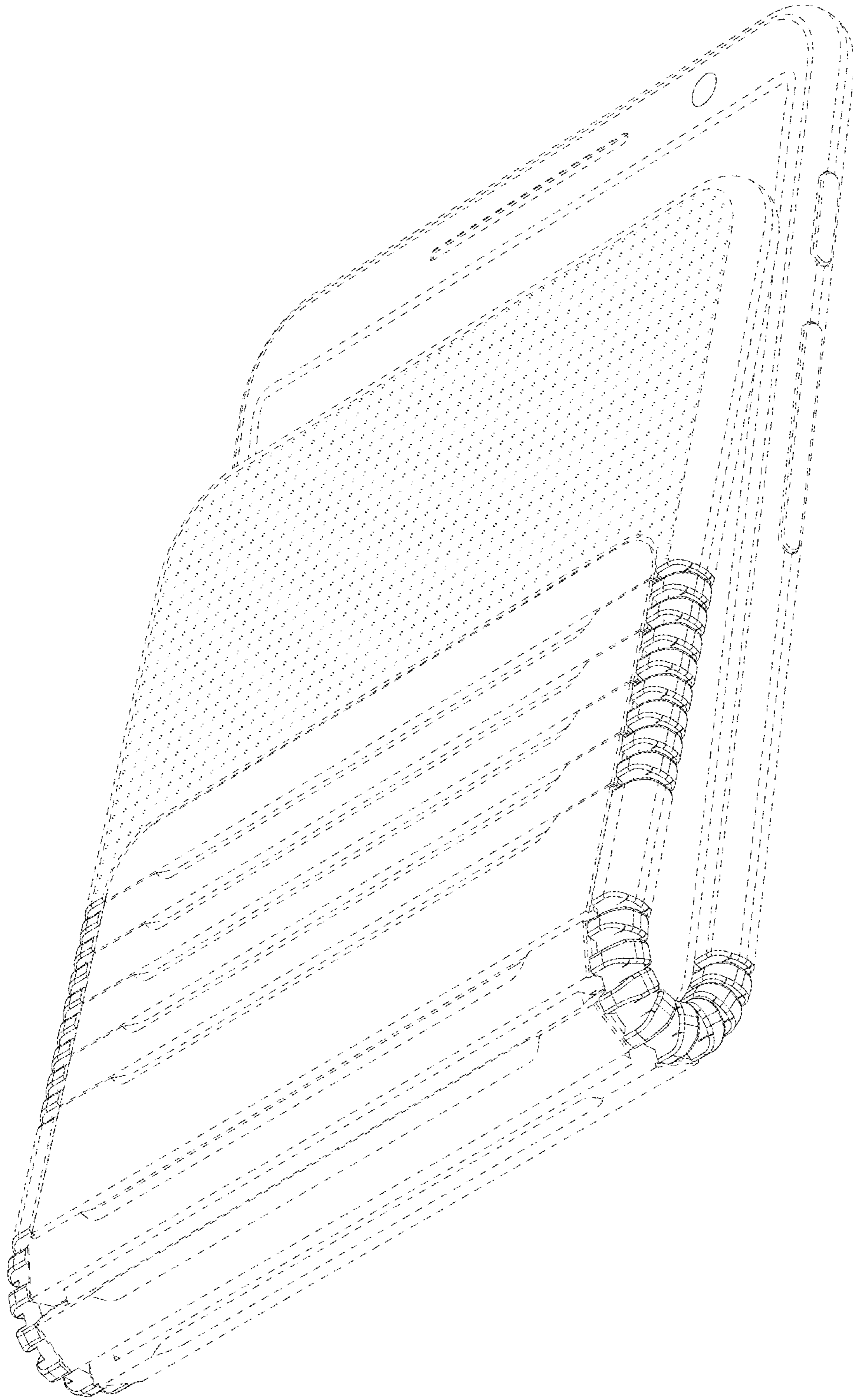


Fig. 10

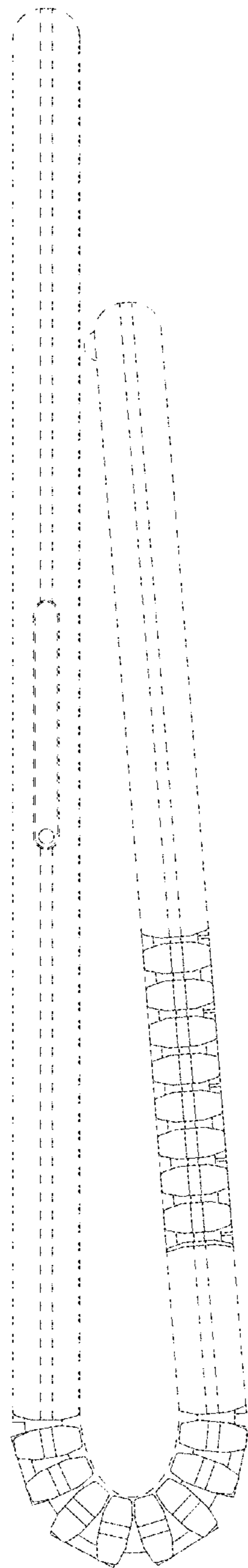


Fig. 11

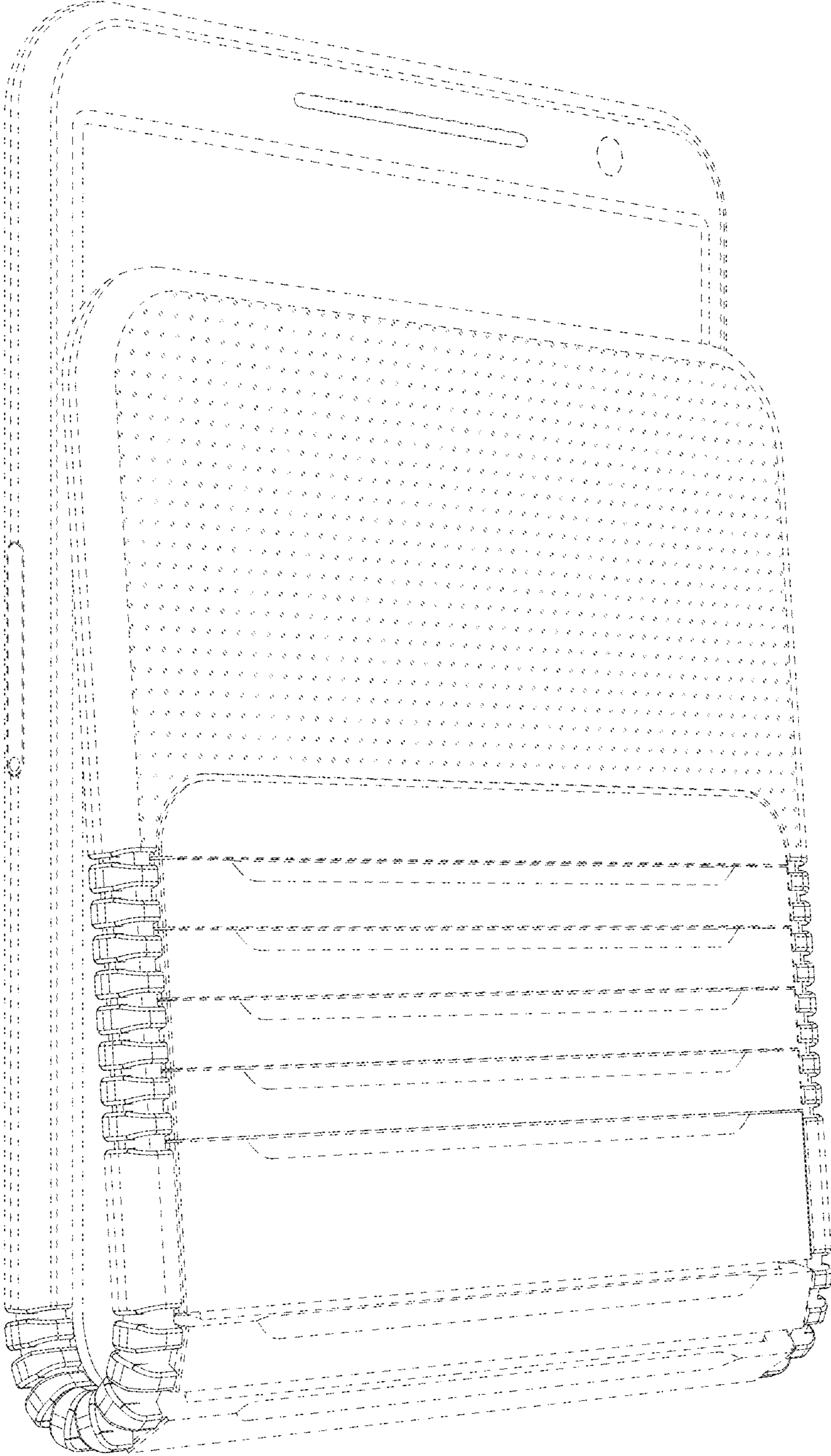


Fig. 12