



US00D884663S

(12) **United States Design Patent** (10) **Patent No.:** **US D884,663 S**  
**Jang et al.** (45) **Date of Patent:** **\*\* May 19, 2020**

(54) **TELEVISION APPARATUS**  
(71) Applicant: **LG ELECTRONICS INC., Seoul (KR)**  
(72) Inventors: **Younghun Jang, Seoul (KR); Yooseok Kim, Seoul (KR)**  
(73) Assignee: **LG ELECTRONICS INC., Seoul (KR)**  
(\*\*) Term: **15 Years**

D751,519 S \* 3/2016 Ma ..... D14/126  
D778,854 S \* 2/2017 Lee ..... D14/126  
D778,855 S \* 2/2017 Lee ..... D14/126  
D782,431 S \* 3/2017 Lee ..... D14/126  
D783,555 S \* 4/2017 Cho ..... D14/126  
D785,581 S \* 5/2017 McManigal ..... D14/126  
D787,462 S \* 5/2017 Shiono ..... D14/126  
D788,748 S \* 6/2017 Woo ..... D14/239  
D788,749 S \* 6/2017 Lee ..... D14/239  
D788,750 S \* 6/2017 Choi ..... D14/239  
D793,402 S \* 8/2017 Kwon ..... D14/451  
D796,464 S \* 9/2017 Kim ..... D14/126  
D805,050 S \* 12/2017 Lim ..... D14/126  
D805,490 S \* 12/2017 Lim ..... D14/126

(Continued)

(21) Appl. No.: **35/506,237**

(22) Filed: **Jun. 19, 2018**

(80) **Hague Agreement Data**

Int. Filing Date: **Jun. 19, 2018**  
Int. Reg. No.: **DM/101759**  
Int. Reg. Date: **Jun. 19, 2018**  
Int. Reg. Pub. Date: **Dec. 21, 2018**

(30) **Foreign Application Priority Data**

Dec. 27, 2017 (KR) ..... 30-2017-0061844

(51) **LOC (12) Cl.** ..... **14-03**

(52) **U.S. Cl.**  
USPC ..... **D14/126**

(58) **Field of Classification Search**  
USPC ..... D6/300, 308, 310; D14/125, 126, 127,  
D14/128, 129, 132, 336, 341, 373, 374,  
D14/375, 376, 377

CPC ..... G06F 1/1601; G06F 1/1605; G06F 1/162  
See application file for complete search history.

(56) **References Cited**

**U.S. PATENT DOCUMENTS**

D708,157 S \* 7/2014 Park ..... D14/126  
D716,244 S \* 10/2014 Kim ..... D14/126  
D749,532 S \* 2/2016 McManigal ..... D14/126  
D751,048 S \* 3/2016 Yoon ..... D14/126

**OTHER PUBLICATIONS**

Complete LG 43UJ6300 43" Super UHD 4K HDR Smart LEF TV (2017 Model) Overview, publication date Apr. 13, 2017, [online][site visited Sep. 19, 2019] URL: <https://www.youtube.com/watch?v=iACuBOY5UcM> (Year: 2017).\*

*Primary Examiner* — George D. Kirschbaum

*Assistant Examiner* — L. A. Grabenstetter

(74) *Attorney, Agent, or Firm* — Birch, Stewart, Kolasch & Birch, LLP

(57) **CLAIM**

The ornamental design for a television apparatus, as shown and described.

**DESCRIPTION**

1. Television apparatus

1.1 : Perspective

1.2 : Front

1.3 : Back

1.4 : Left

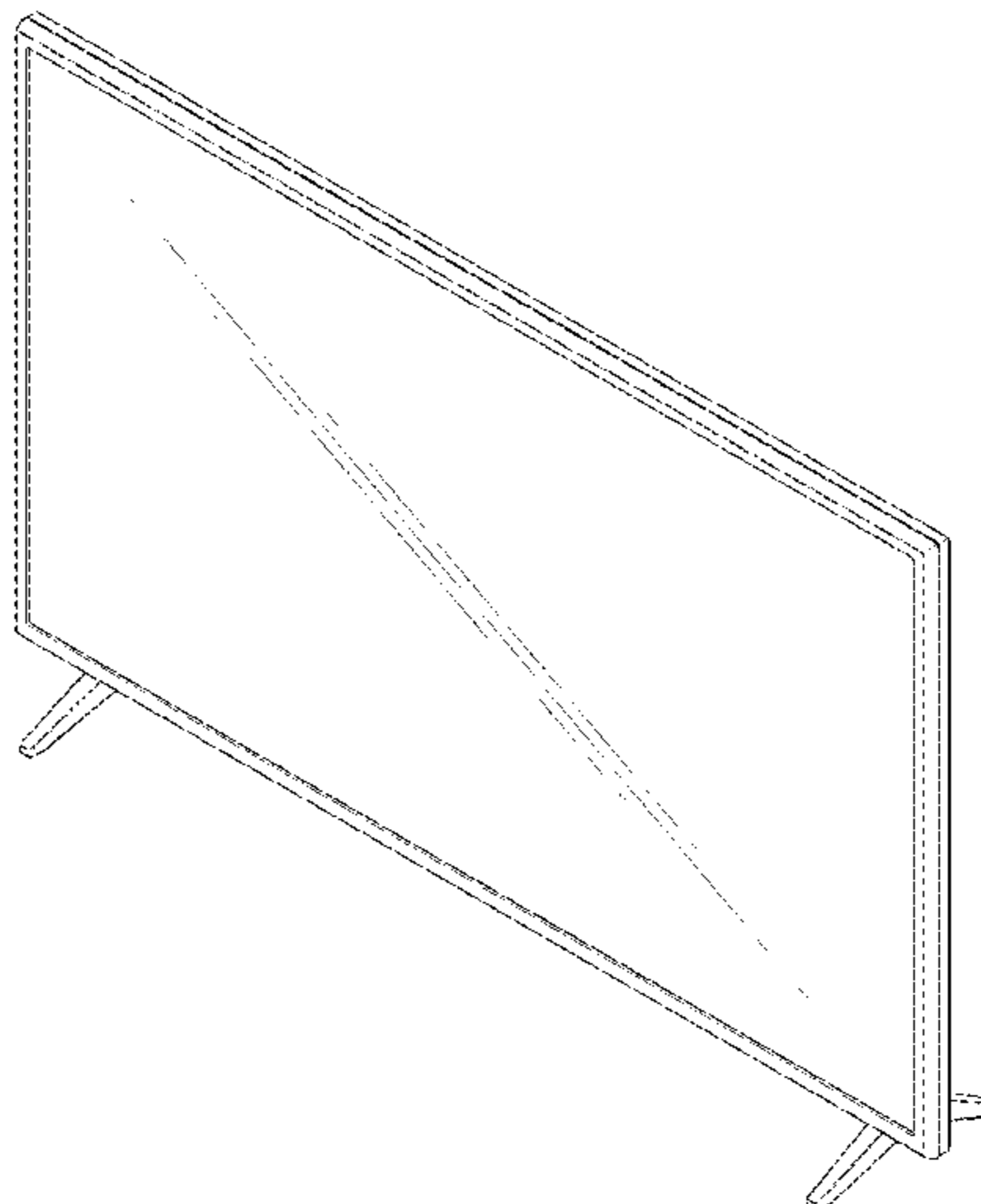
1.5 : Right

1.6 : Top

1.7 : Bottom

The broken lines depict portions of the television apparatus that form no part of the claimed design.

**1 Claim, 4 Drawing Sheets**



(56)

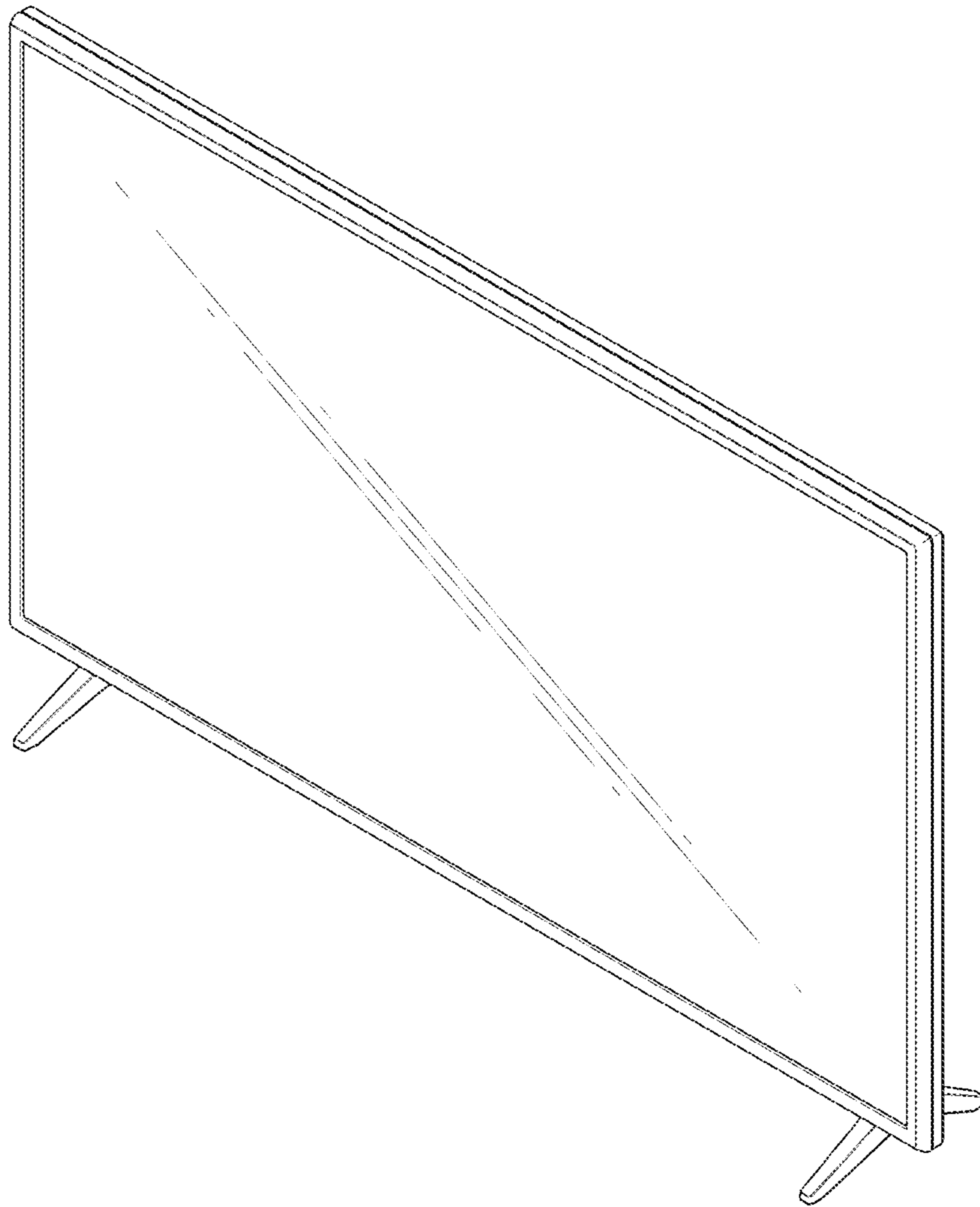
**References Cited**

U.S. PATENT DOCUMENTS

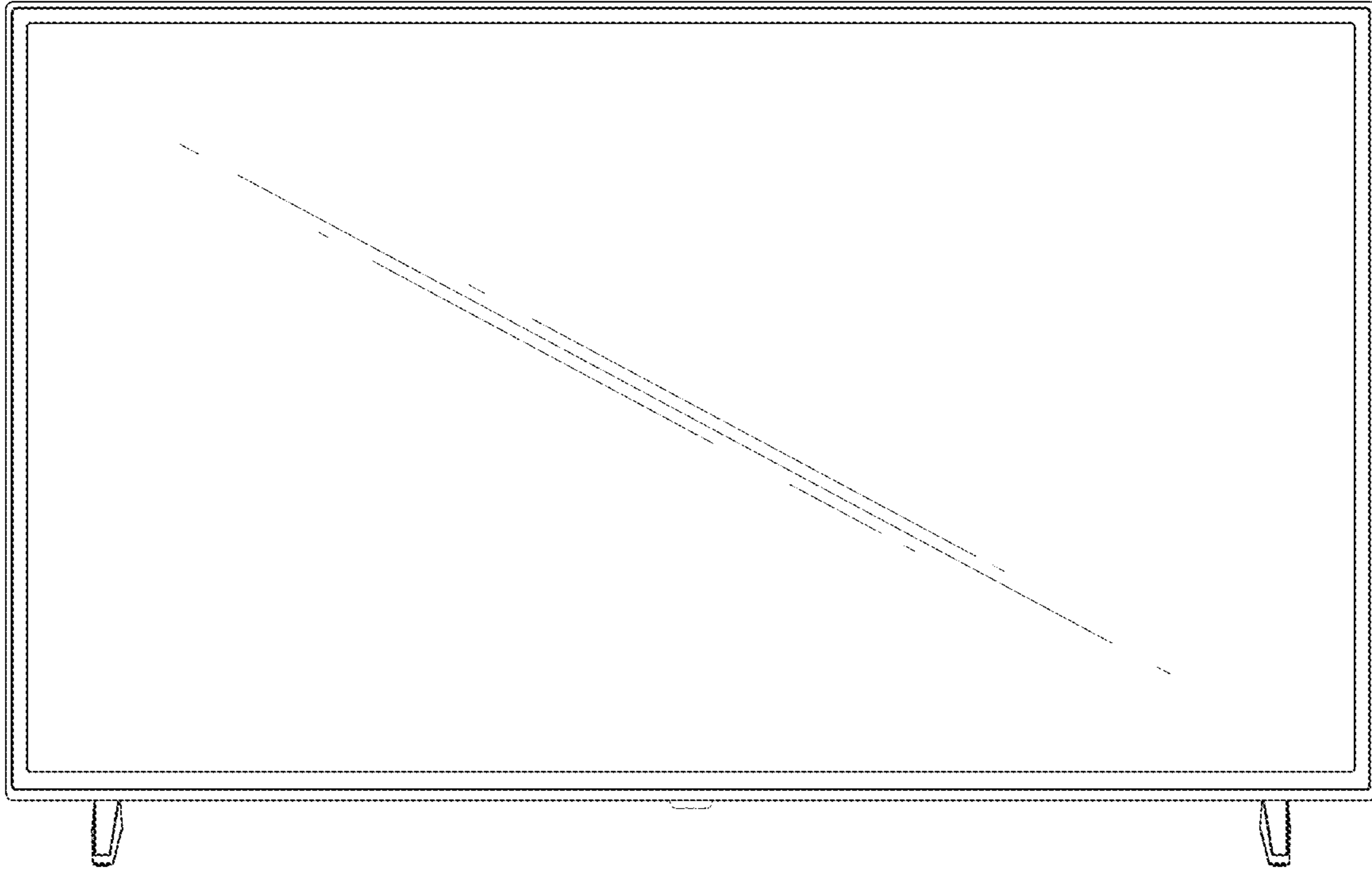
D806,661 S	*	1/2018	Lee	.....	D14/126
D806,666 S	*	1/2018	Kim	.....	D14/126
D806,667 S	*	1/2018	Lee	.....	D14/126
D820,228 S	*	6/2018	Kim	.....	D14/126
D835,058 S	*	12/2018	Kim	.....	D14/126
D835,059 S	*	12/2018	Kim	.....	D14/126
D836,075 S	*	12/2018	Ryu	.....	D14/126

\* cited by examiner

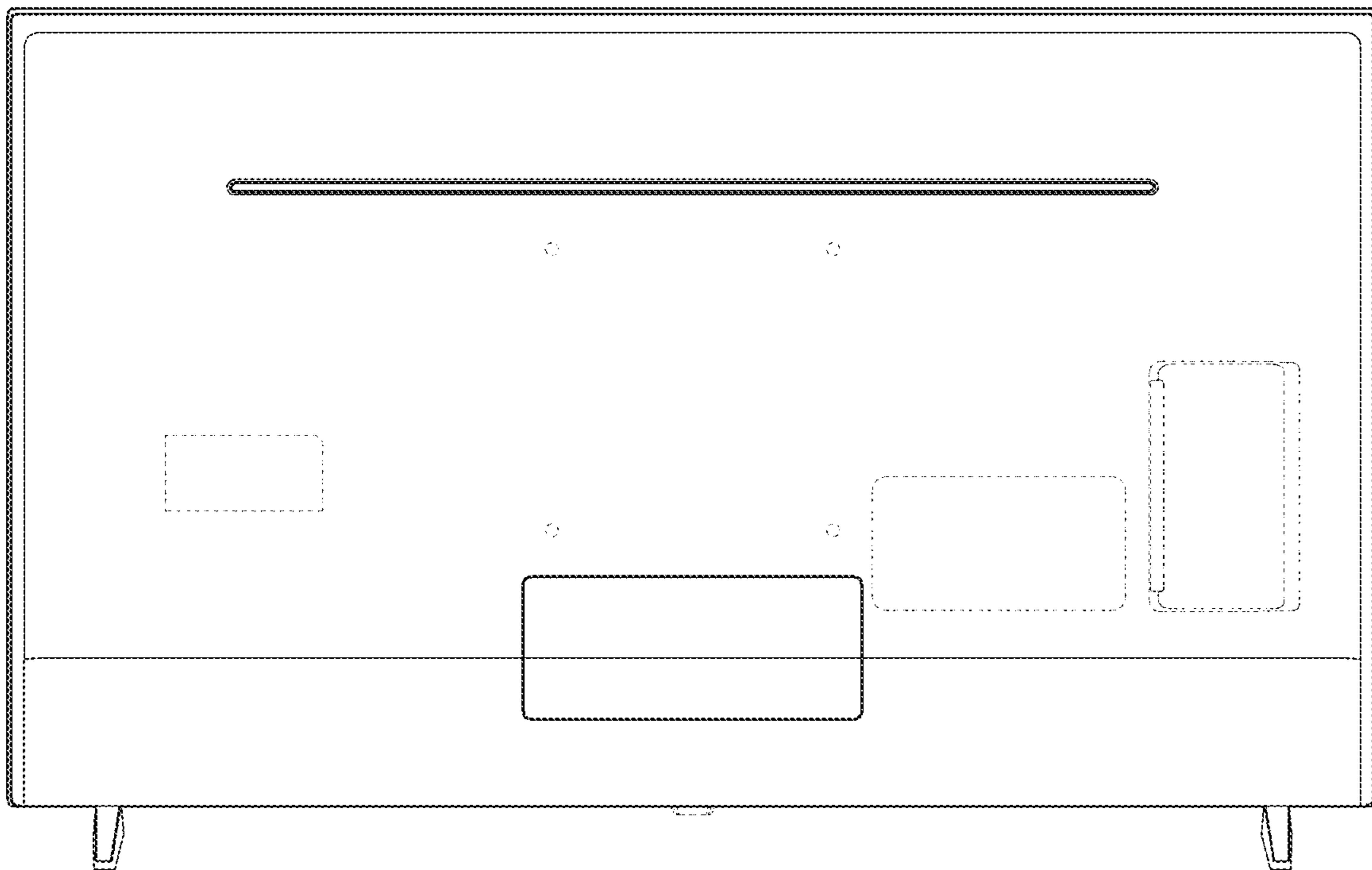
1.1



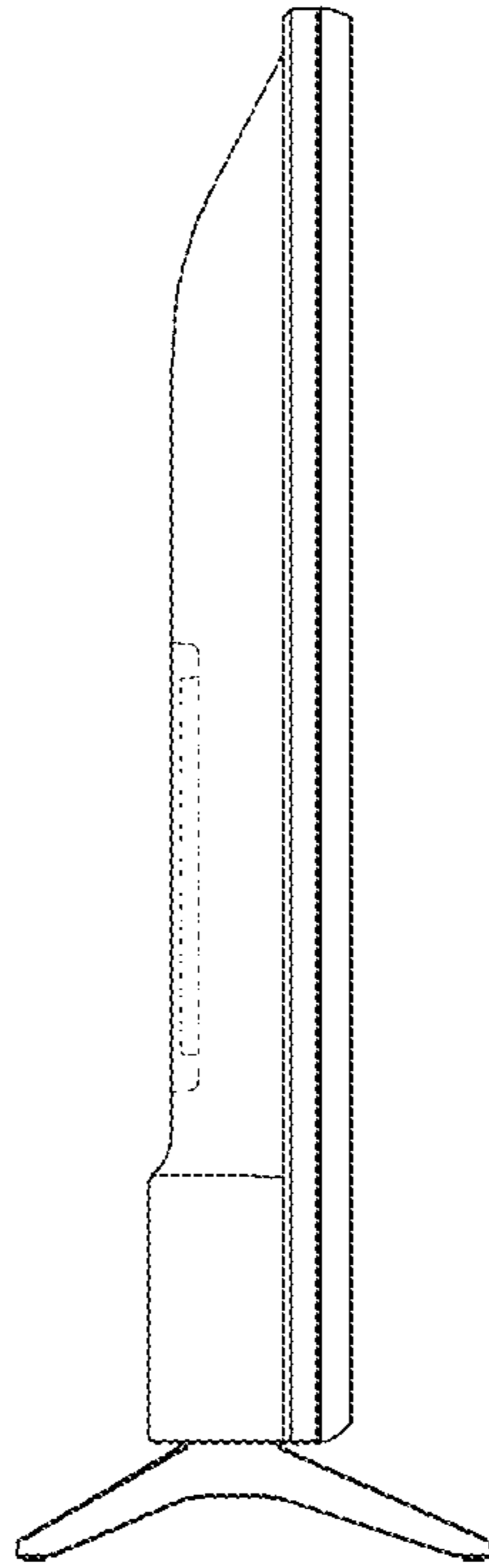
1.2



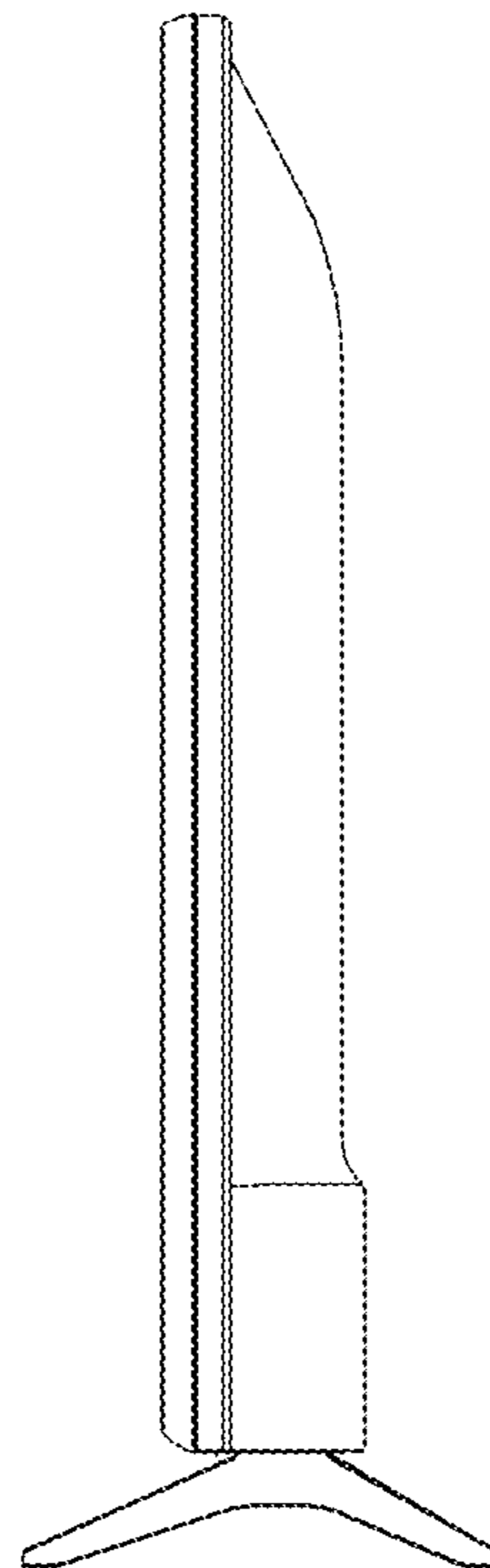
1.3



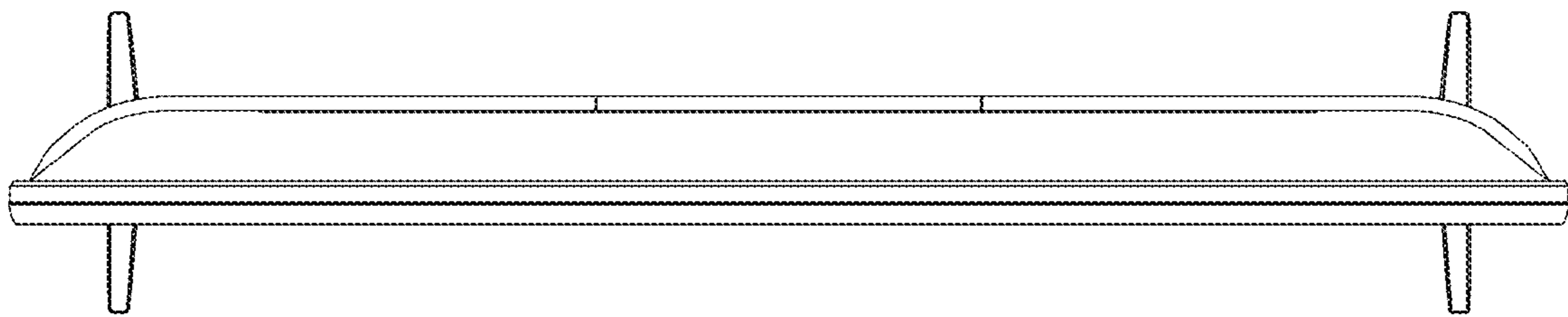
1.4



1.5



1.6



1.7

