



US00D884661S

(12) **United States Design Patent**
Kim et al.

(10) **Patent No.:** **US D884,661 S**

(45) **Date of Patent:** **** May 19, 2020**

(54) **REMOTE CONTROLLER**

(71) Applicant: **SZ DJI OSMO TECHNOLOGY CO., LTD.**, Shenzhen (CN)

(72) Inventors: **Min Kim**, Shenzhen (CN); **Jaewan Jeong**, Shenzhen (CN)

(73) Assignee: **SZ DJI OSMO TECHNOLOGY CO., LTD.**, Shenzhen (CN)

(**) Term: **15 Years**

(21) Appl. No.: **29/666,875**

(22) Filed: **Oct. 16, 2018**

Related U.S. Application Data

(62) Division of application No. 29/601,313, filed on Apr. 21, 2017, now Pat. No. Des. 839,216.

(51) **LOC (12) Cl.** **14-03**

(52) **U.S. Cl.**
USPC **D13/168**

(58) **Field of Classification Search**

USPC D13/168; D14/218, 356, 388, 412, 413, D14/432, 454; D21/324, 328, 333, 566
CPC A63H 27/12; A63H 30/04; B64C 19/00; B64C 39/024; G05D 1/0016; G05D 1/0033; G05D 1/0808; G05D 1/0858; G05G 9/047

See application file for complete search history.

(56) **References Cited**

U.S. PATENT DOCUMENTS

D306,998 S * 4/1990 Mintz D13/164
D503,928 S * 4/2005 Obata D13/164
D513,737 S * 1/2006 Riley D13/162
D635,523 S * 4/2011 Andersson D13/164
8,049,600 B2 * 11/2011 Beard A63H 30/04
318/16
D658,184 S * 4/2012 Chang D14/413

D735,722 S * 8/2015 Amann D14/413
D767,510 S * 9/2016 Zheng D13/168
D790,545 S * 6/2017 Dannenberg D14/413
D808,909 S * 1/2018 Findik D13/168
D839,216 S * 1/2019 Kim D13/168
2008/0180272 A1 * 7/2008 Scherer A63H 30/04
340/13.24
2017/0277176 A1 * 9/2017 Hutson G05D 1/0016

* cited by examiner

Primary Examiner — Selina Sikder

(74) *Attorney, Agent, or Firm* — ScienBiziP, P.C.

(57) **CLAIM**

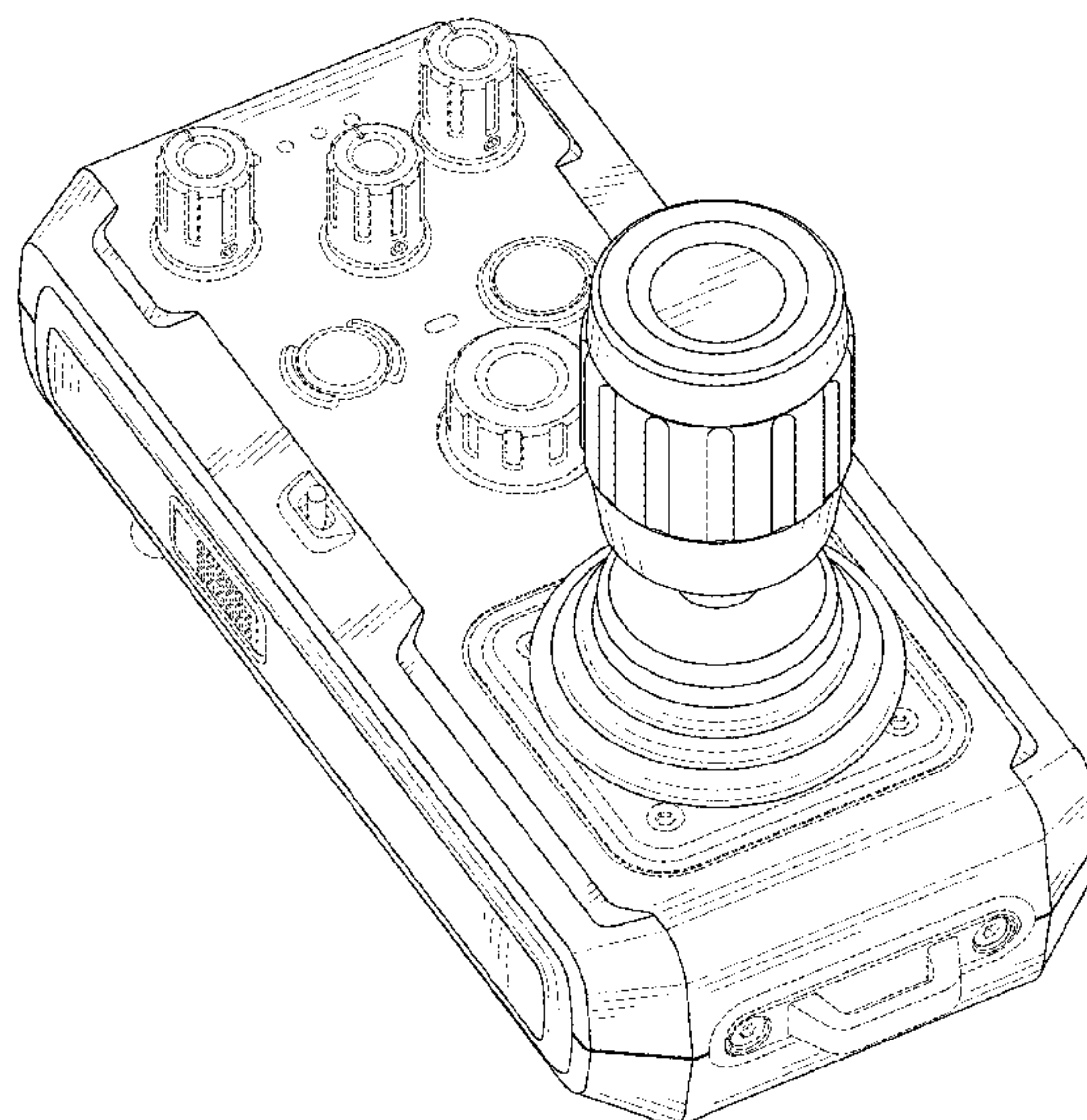
The ornamental design for a remote controller, as shown and described.

DESCRIPTION

FIG. 1 is a top front perspective view of a remote controller showing my new design;
FIG. 2 is a bottom rear perspective view of a remote controller showing my new design;
FIG. 3 is a front elevational view of the remote controller of FIG. 1;
FIG. 4 is a rear elevational view of the remote controller of FIG. 1;
FIG. 5 is a left side elevational view of the remote controller of FIG. 1;
FIG. 6 is a right side elevational view of the remote controller of FIG. 1;
FIG. 7 is a top plan view of the remote controller of FIG. 1; and,
FIG. 8 is a bottom plan view of the remote controller of FIG. 1.

The broken lines in the drawings are employed to show unclaimed portions of the remote controller, and form no part of the claimed design.

1 Claim, 8 Drawing Sheets



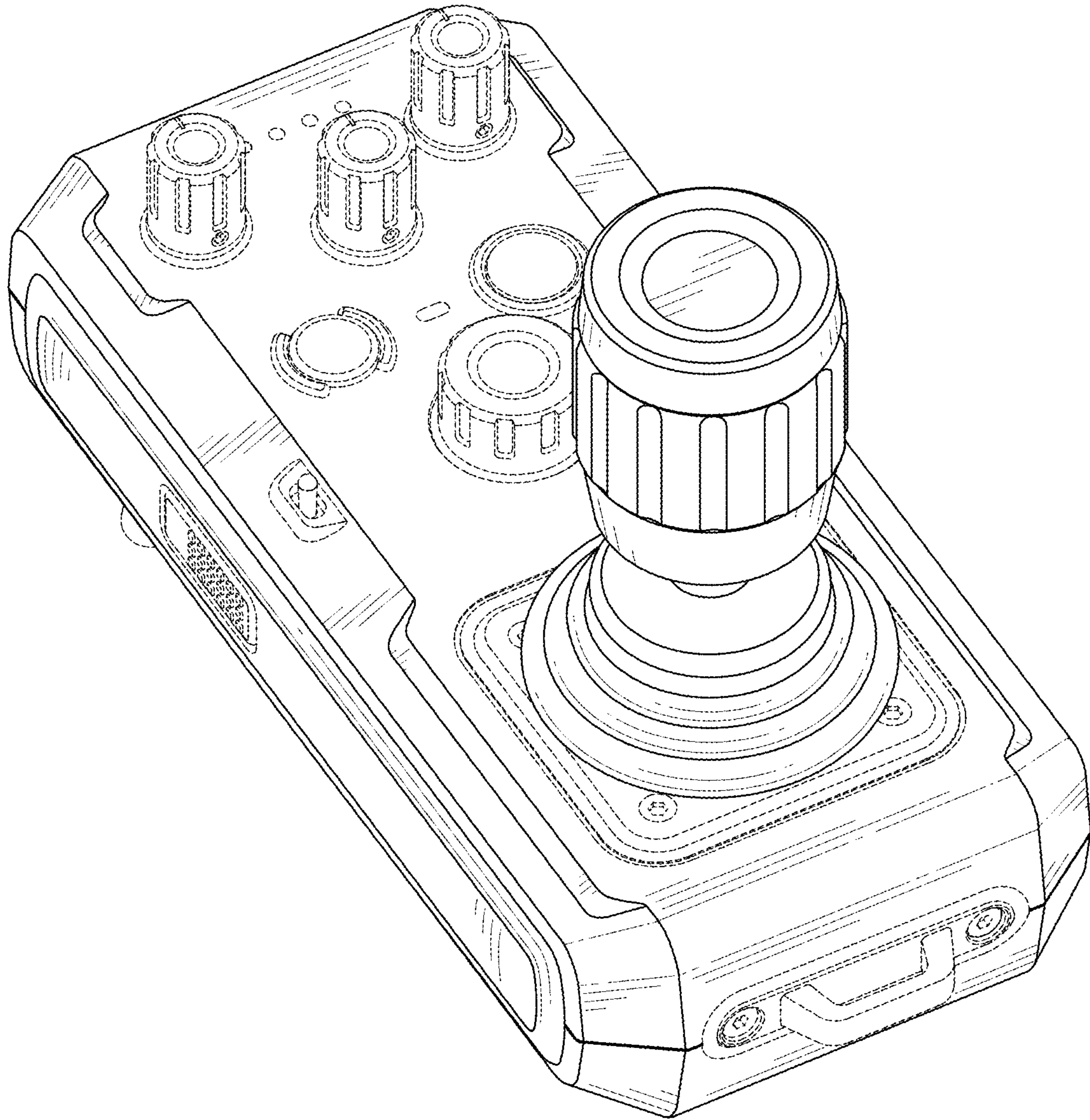


FIG. 1

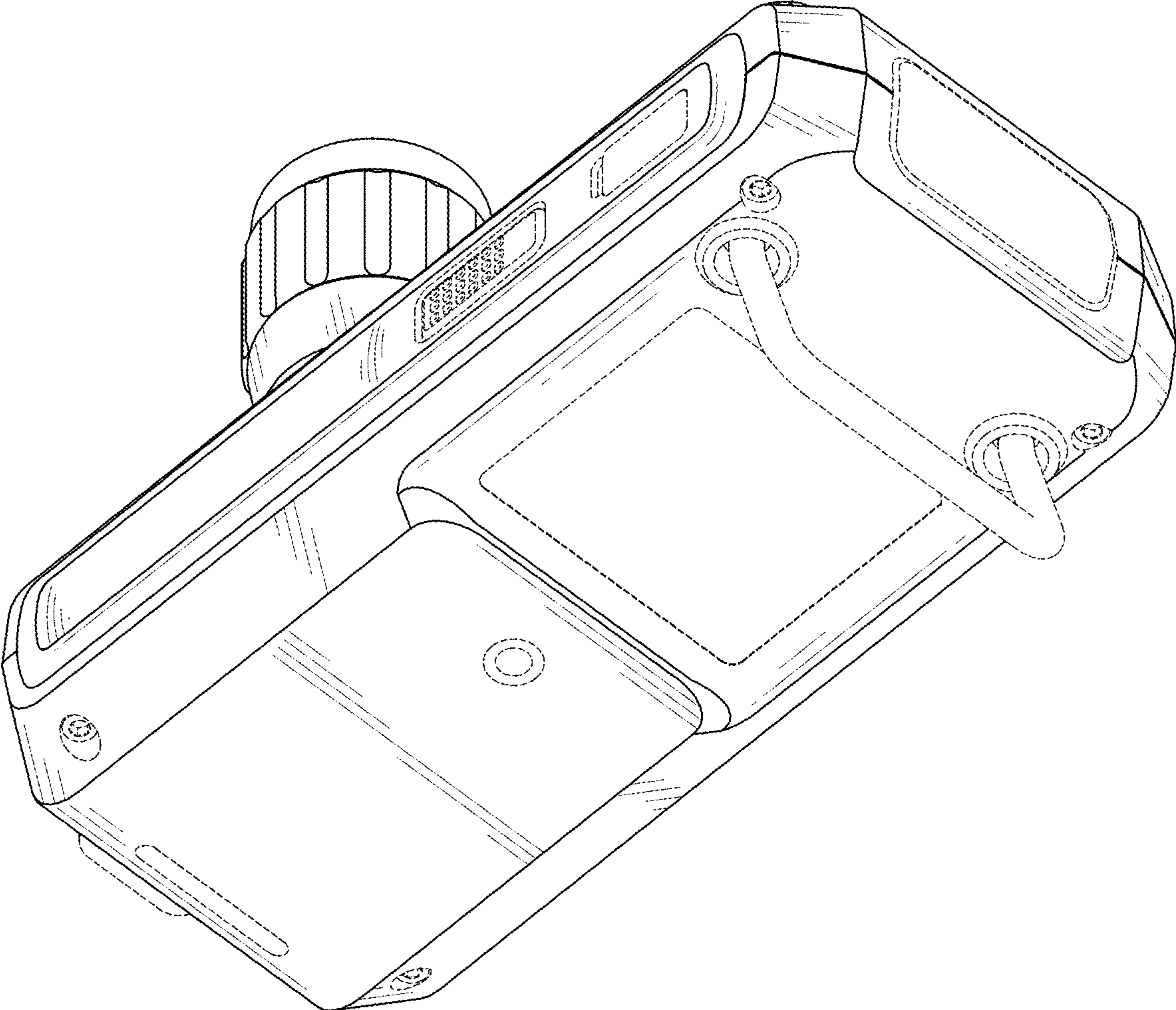


FIG. 2

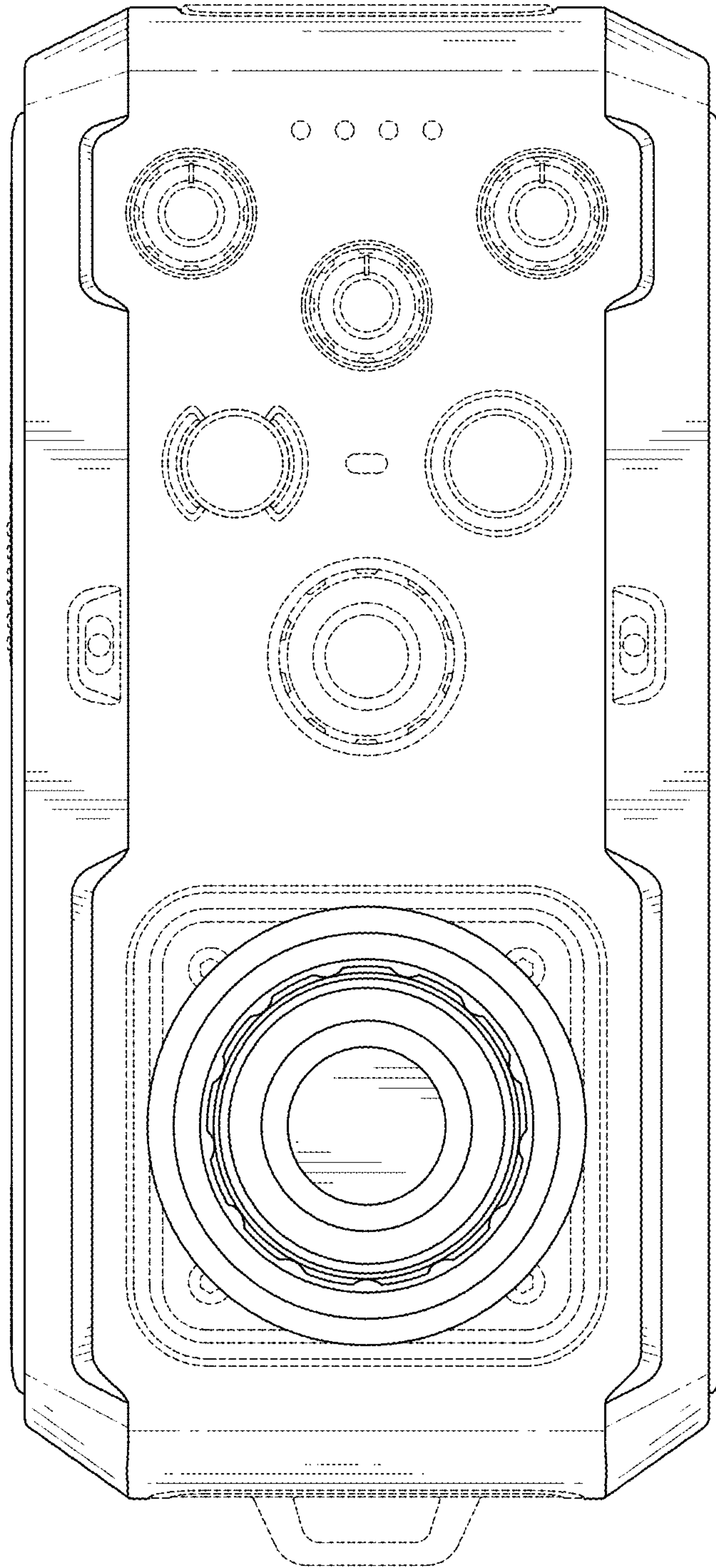


FIG. 3

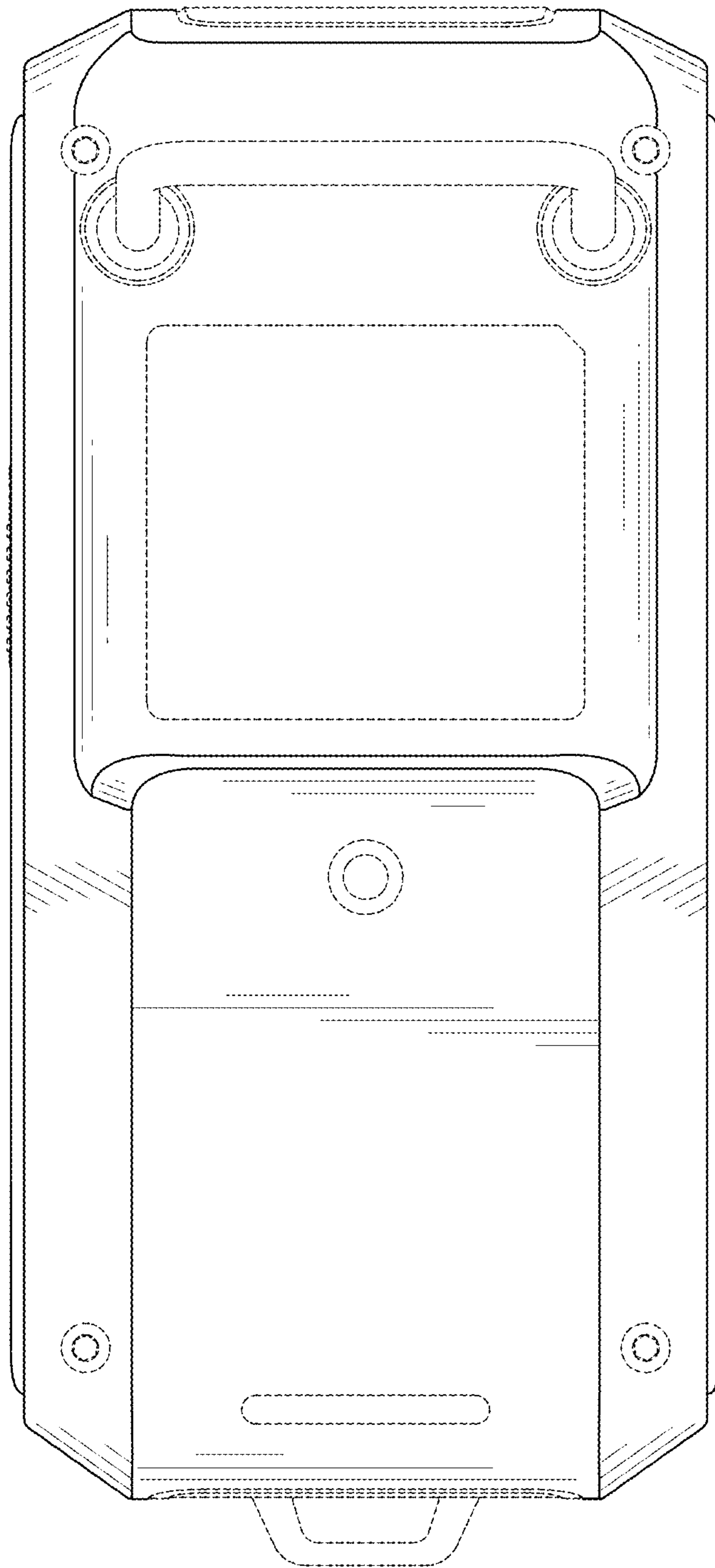


FIG. 4

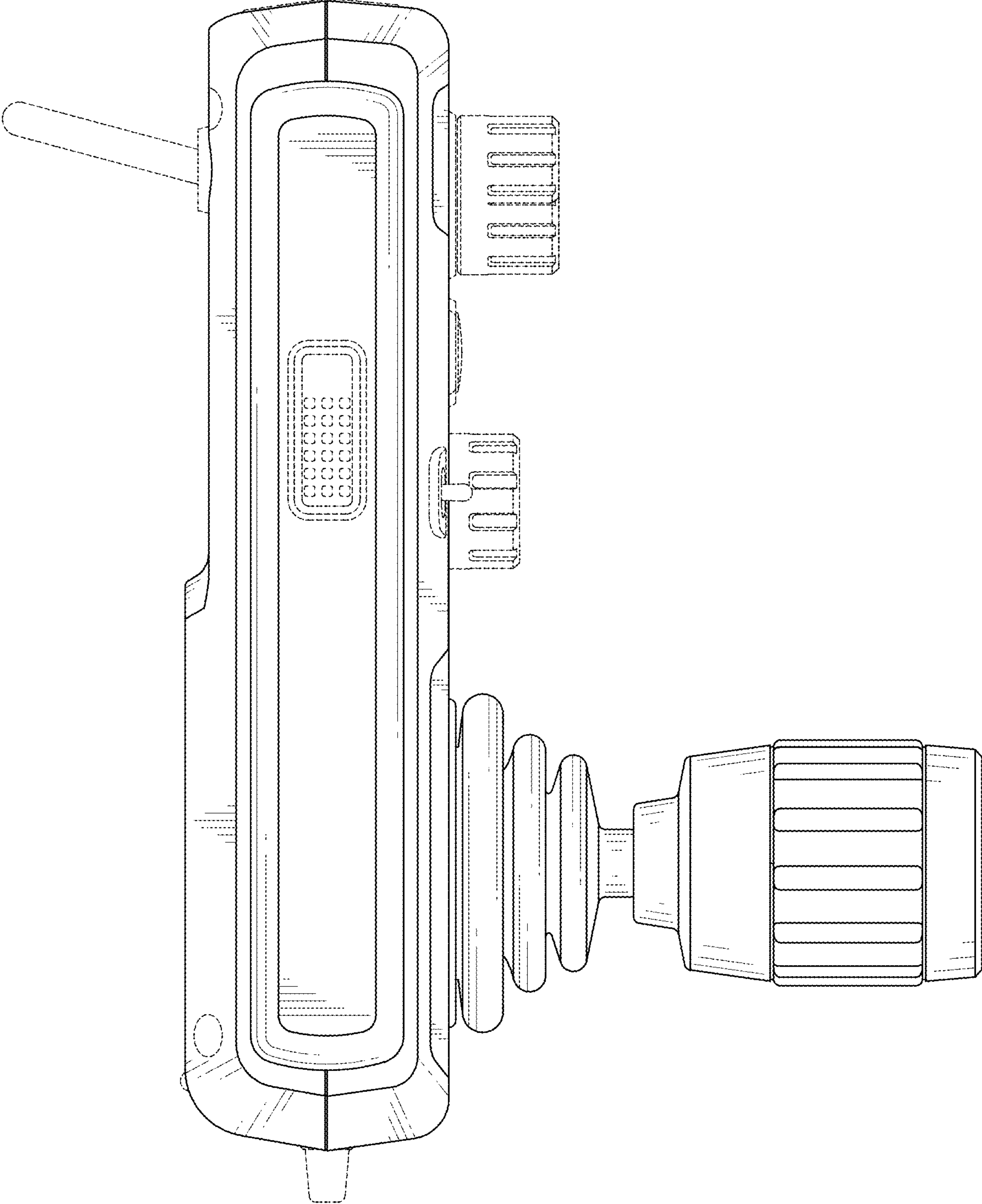


FIG. 5

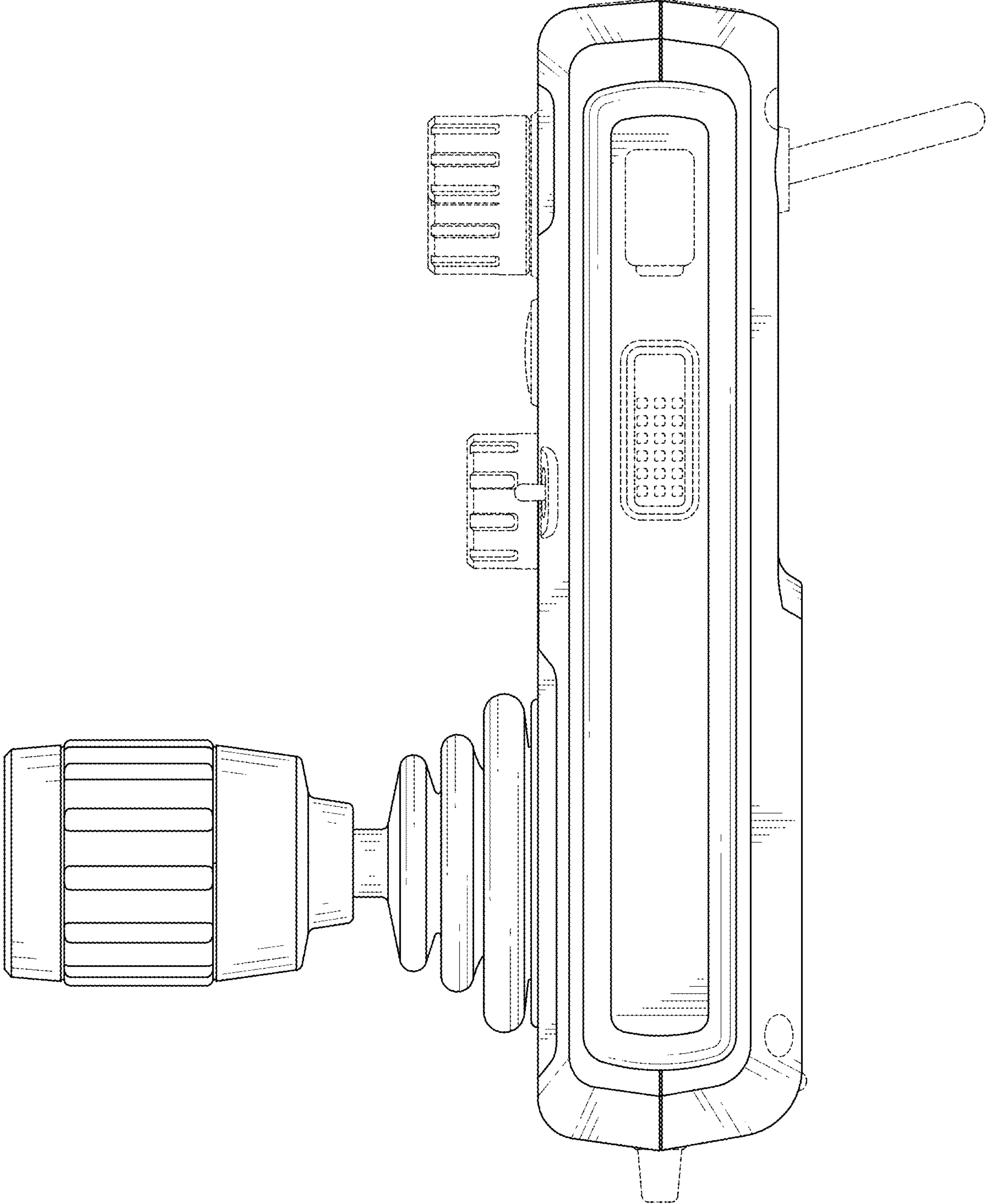


FIG. 6

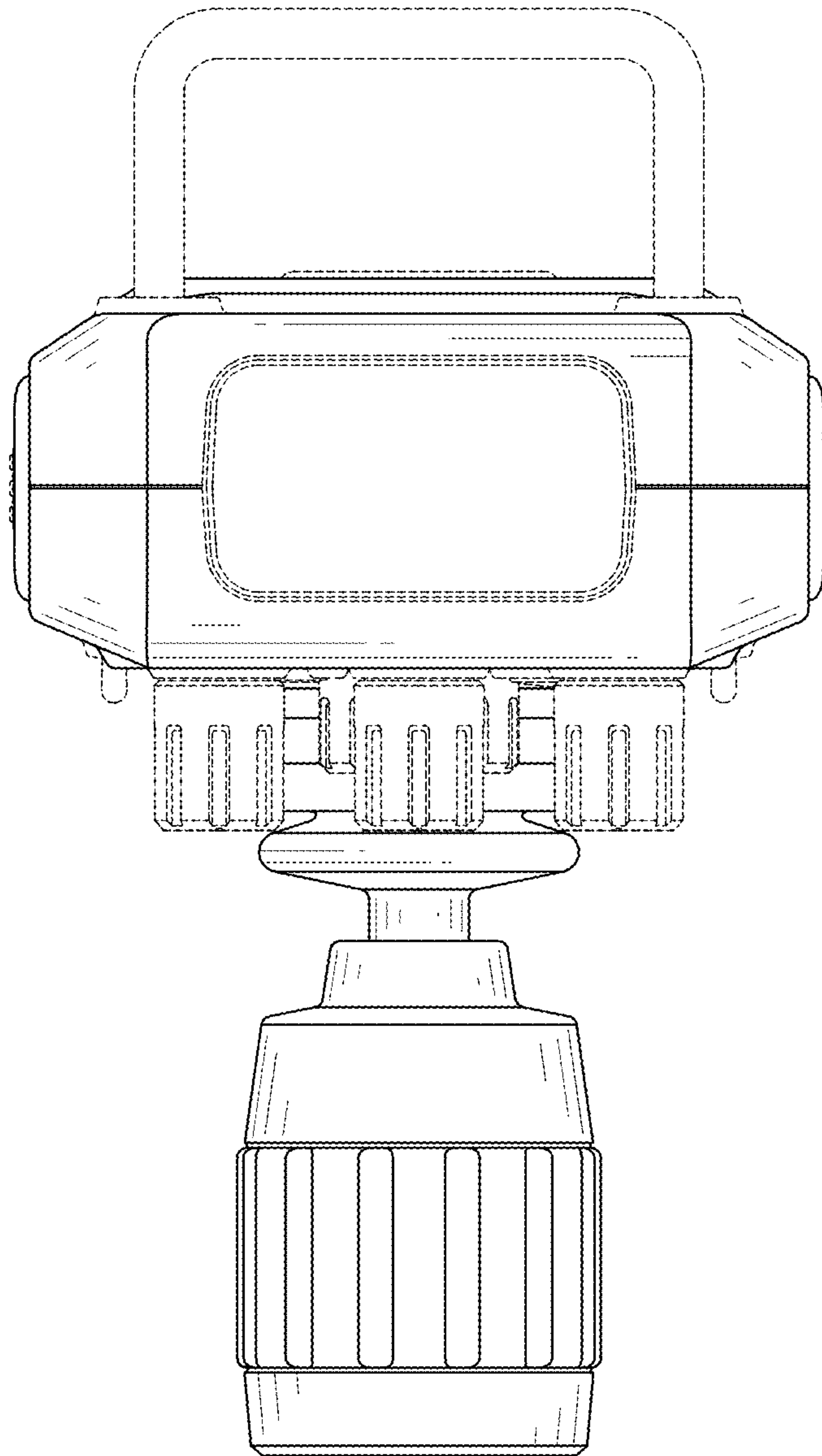


FIG. 7

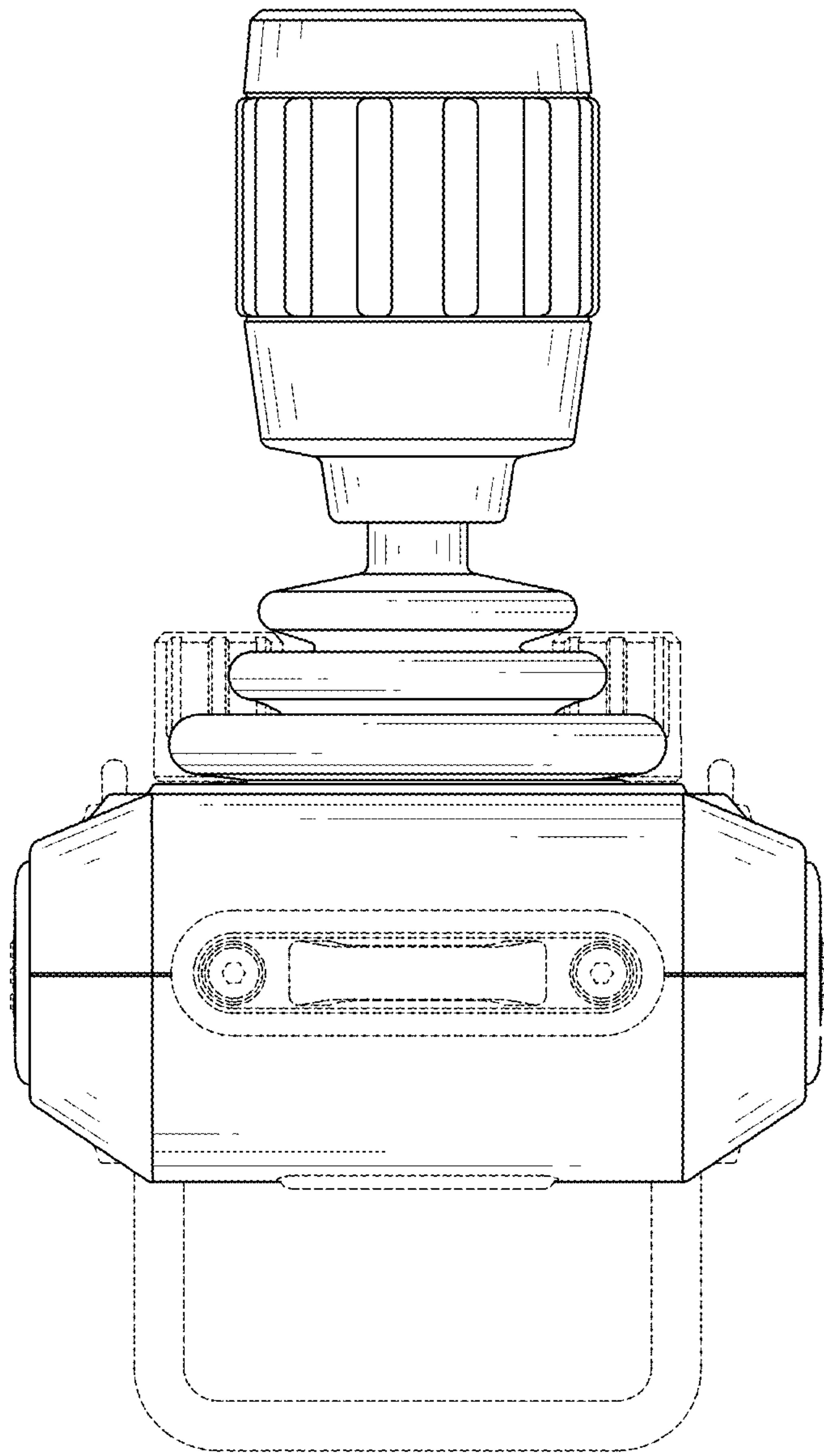


FIG. 8