



US00D884655S

(12) **United States Design Patent** (10) **Patent No.:** **US D884,655 S**
Maggard et al. (45) **Date of Patent:** **** May 19, 2020**

- (54) **UNDER DESK RACEWAY**
- (71) Applicant: **Fifth Street Goods LLC**, Sellersburg, IN (US)
- (72) Inventors: **Matthew Maggard**, Sellersburg, IN (US); **Austin Bisbee**, Appleton, WI (US); **Christian W Brown**, Loveland, CO (US)
- (73) Assignee: **TRADEMARK GLOBAL, LLC**, Lorain, OH (US)
- (**) Term: **15 Years**
- (21) Appl. No.: **29/654,712**
- (22) Filed: **Jun. 27, 2018**
- (51) **LOC (12) Cl.** **13-03**
- (52) **U.S. Cl.**
USPC **D13/155**
- (58) **Field of Classification Search**
USPC D13/155, 123, 133, 153, 154, 156, 184, D13/199; D8/349, 354, 380; D23/259, D23/262
CPC .. H02G 3/02; H02G 3/04; H02G 3/06; H02G 3/14; H02G 3/0418; H02G 3/045; H02G 3/0608; G02B 6/4459; F16L 3/22
See application file for complete search history.

- D389,034 S * 1/1998 Lewis D8/356
- D401,224 S 11/1998 Mollenkopf
- 6,012,683 A 1/2000 Howell
- D431,533 S * 10/2000 Berkowitz D13/155
- D437,144 S * 2/2001 Fear D13/139.8
- D450,564 S * 11/2001 Kane D8/356
- 6,410,855 B1 6/2002 Berkowitz
- D471,877 S * 3/2003 Dyer D13/155

(Continued)

Primary Examiner — Derrick E Holland
Assistant Examiner — Jennifer O King
(74) *Attorney, Agent, or Firm* — White-Welker & Welker, LLC; Matthew T. Welker, Esq.

(57) **CLAIM**

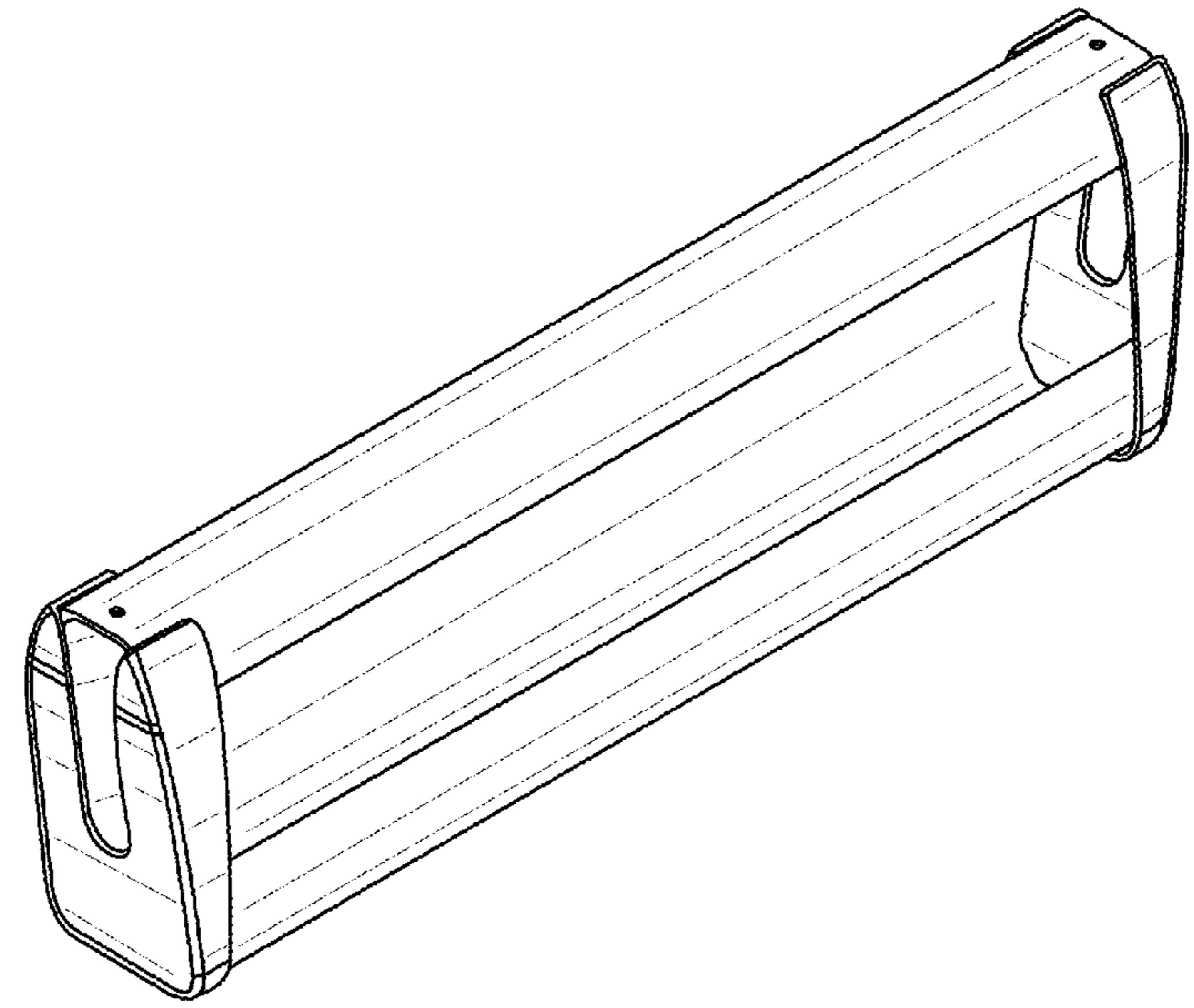
The ornamental design for an under desk raceway, as shown and described.

DESCRIPTION

FIG. 1 is a front elevation view of an under desk raceway, showing the new design;
FIG. 2 is a left side elevational view thereof, the opposite right side elevational view being a mirror image;
FIG. 3 is a top plan view thereof;
FIG. 4 is a perspective view thereof;
FIG. 5 is a front elevation view thereof, shown exploded for ease of illustration;
FIG. 6 is a top plan view thereof, shown exploded for ease of illustration;
FIG. 7 is a perspective view thereof, shown exploded for ease of illustration;
FIG. 8 is a first perspective view thereof, shown in use;
FIG. 9 is a second perspective view thereof, shown in use;
FIG. 10 is a left elevational view thereof, shown in use; and, FIG. 11 is a rear elevation view thereof, shown in use.
Any broken lines are for the purpose of illustrating the environment of the design only and form no part of the claimed design.

1 Claim, 8 Drawing Sheets

- (56) **References Cited**
U.S. PATENT DOCUMENTS
4,406,379 A * 9/1983 Anderson B65D 43/24
138/156
4,654,756 A * 3/1987 Wilson A47B 21/06
312/223.3
5,231,562 A * 7/1993 Pierce A47B 21/06
108/50.02
D348,432 S * 7/1994 Dubruco D13/155
D378,731 S * 4/1997 Kopish D13/155



(56)

References Cited

U.S. PATENT DOCUMENTS

6,972,367 B2 12/2005 Federspiel
2006/0102054 A1 5/2006 Warriner

* cited by examiner

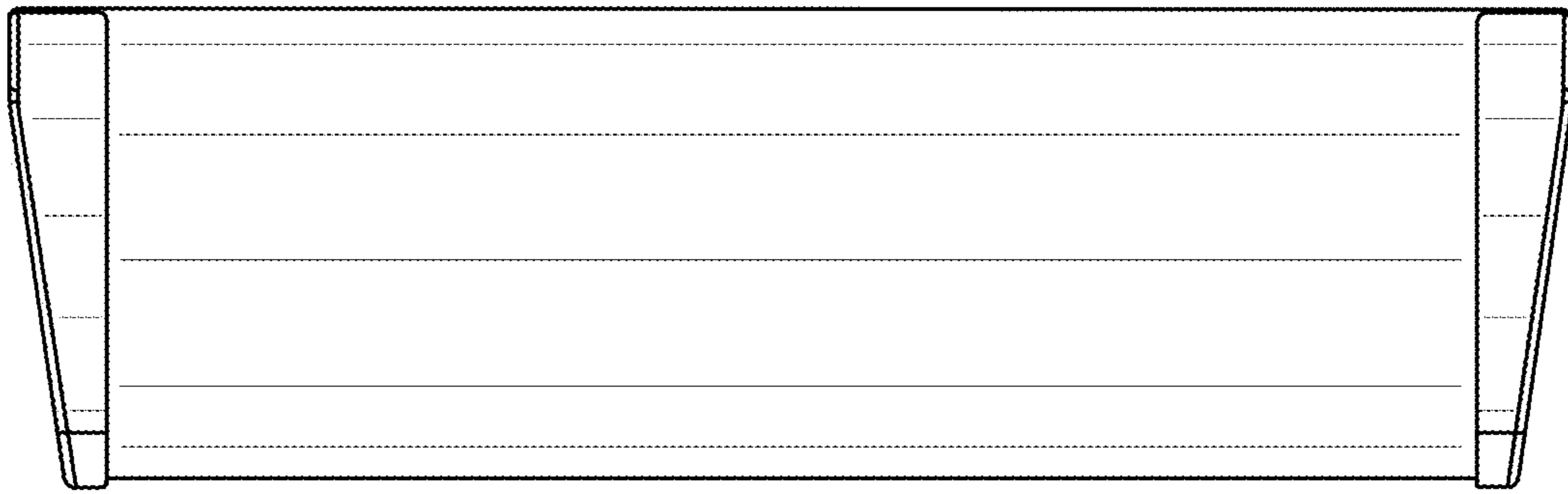


FIG. 1

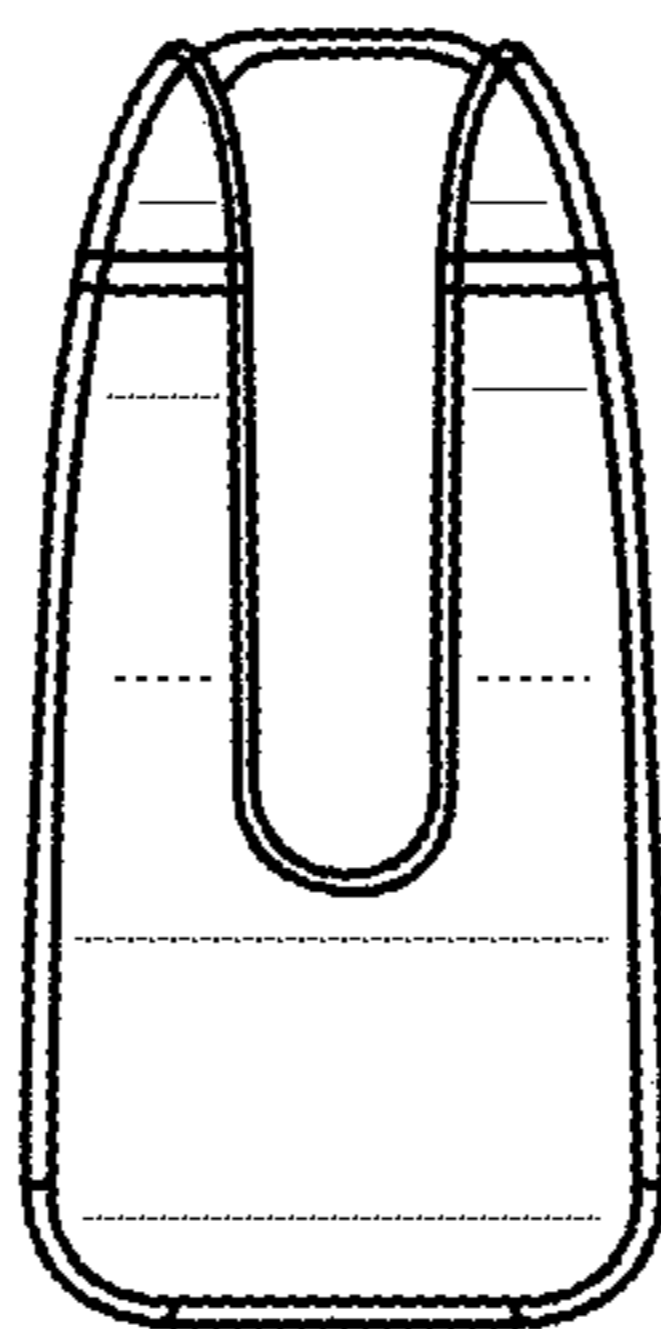


FIG. 2

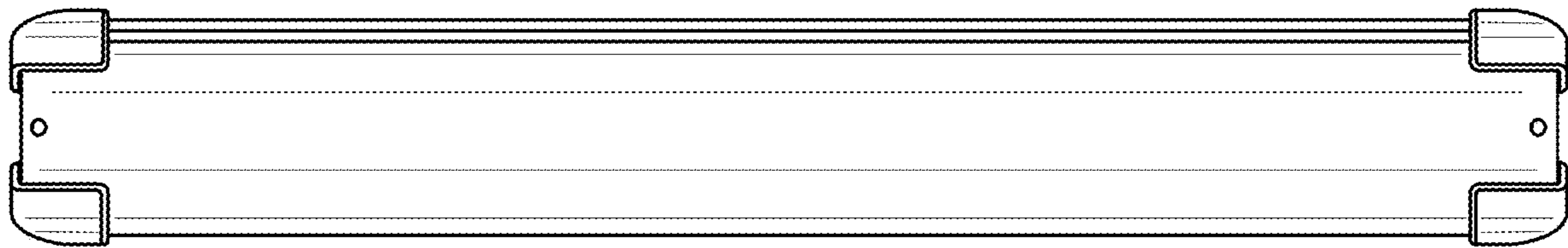


FIG. 3

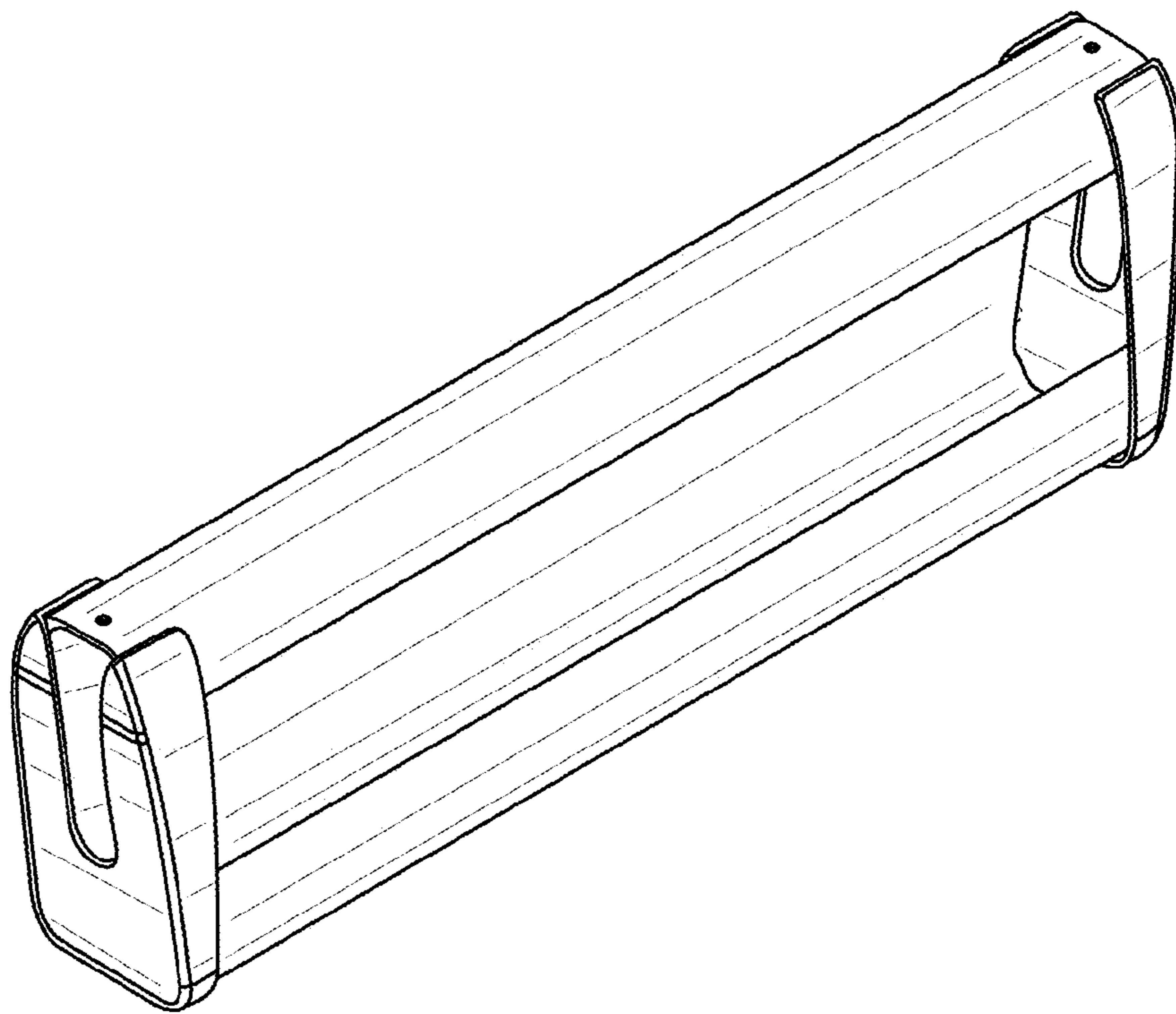


FIG. 4

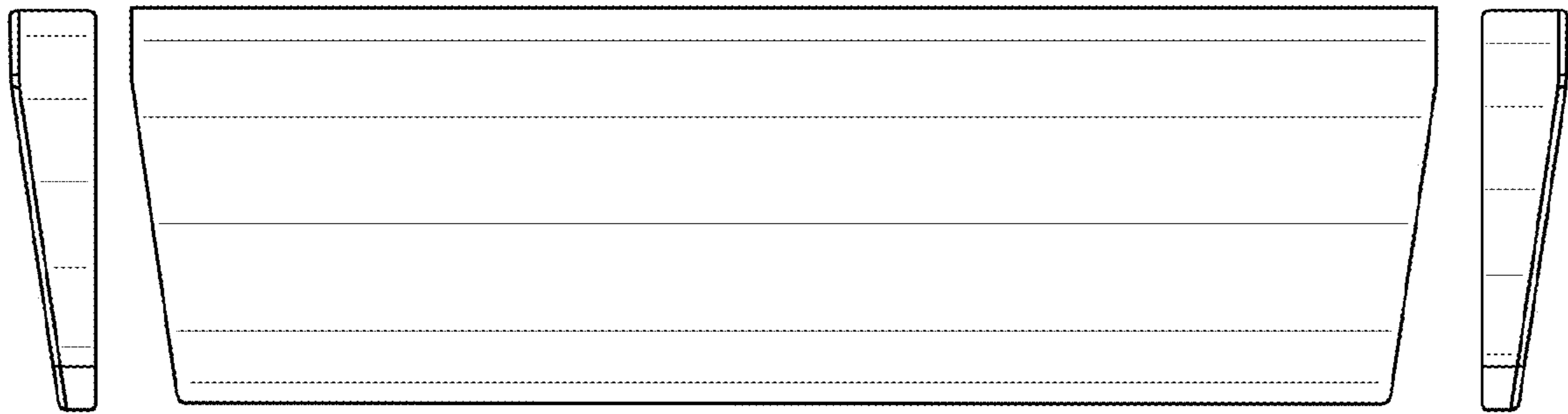


FIG. 5

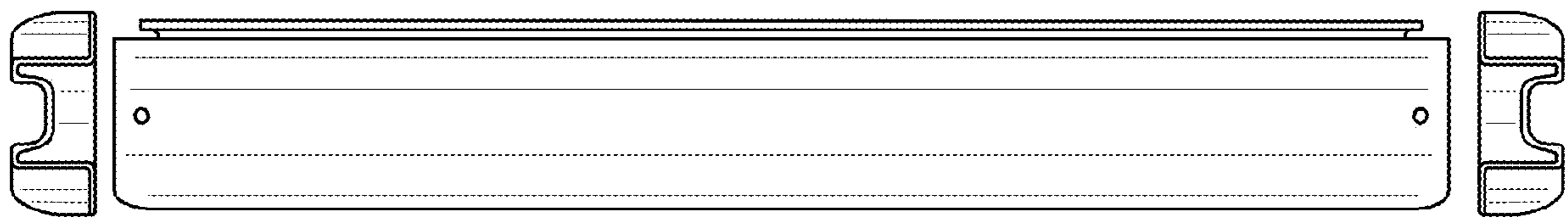


FIG. 6

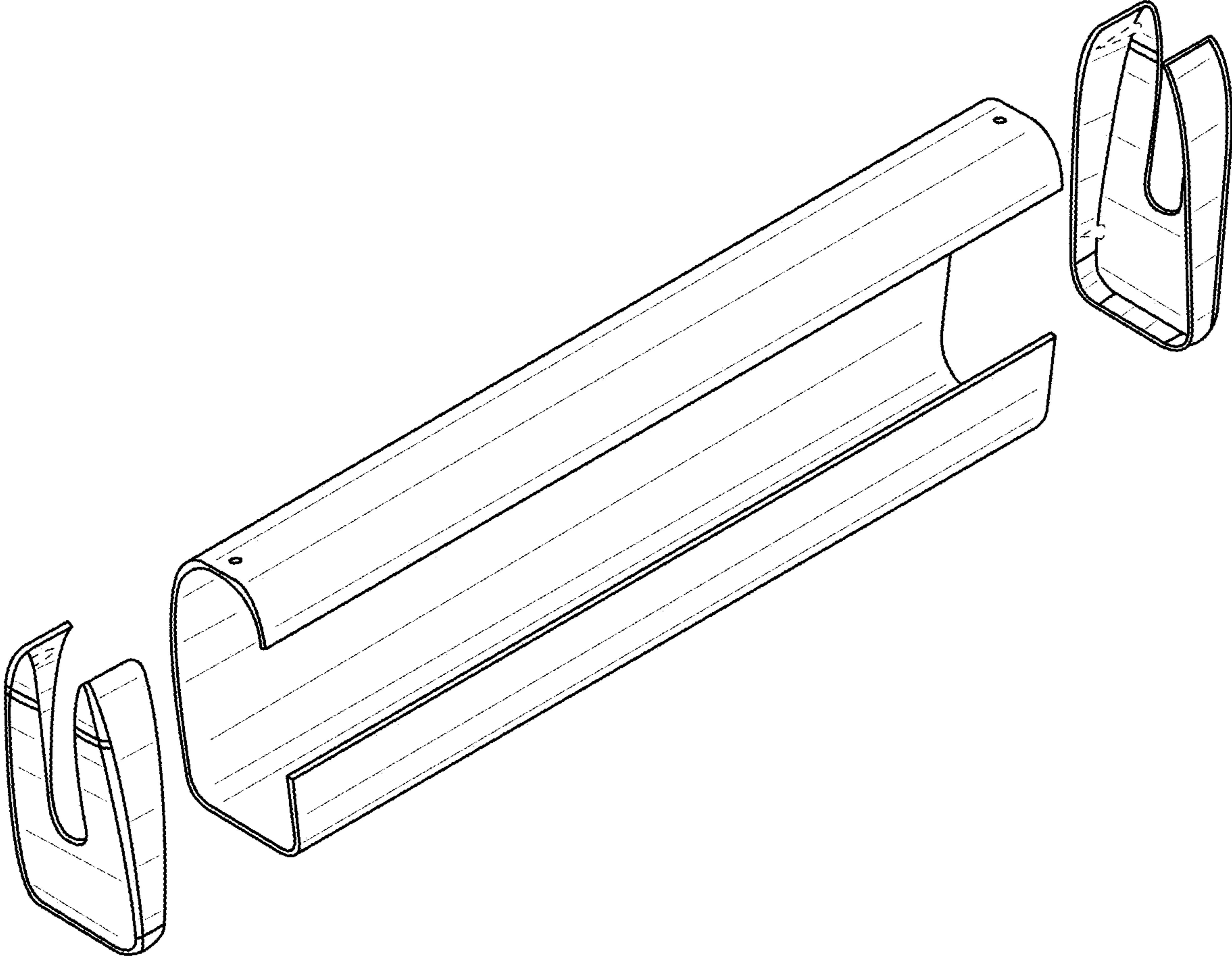


FIG. 7

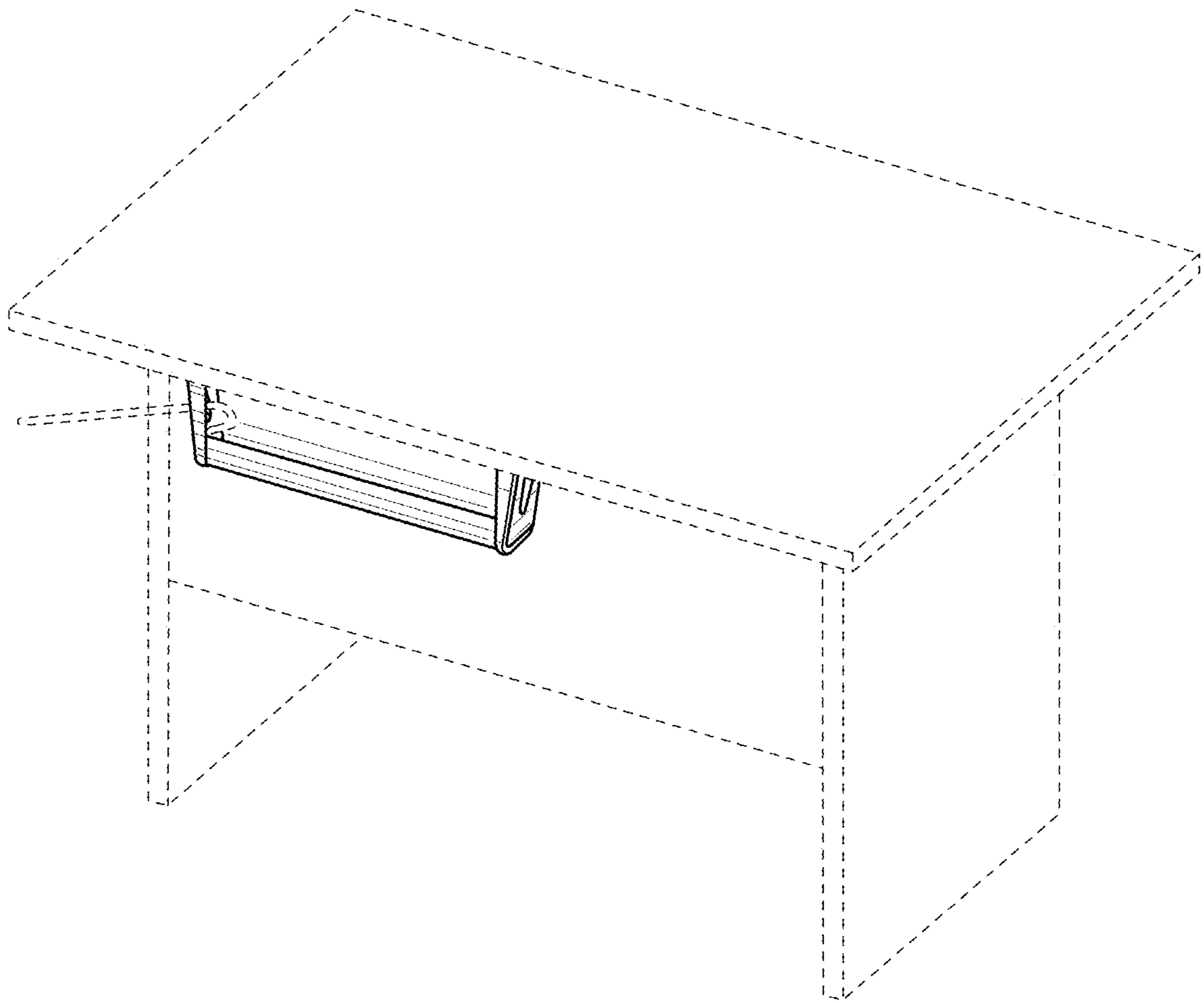


FIG. 8

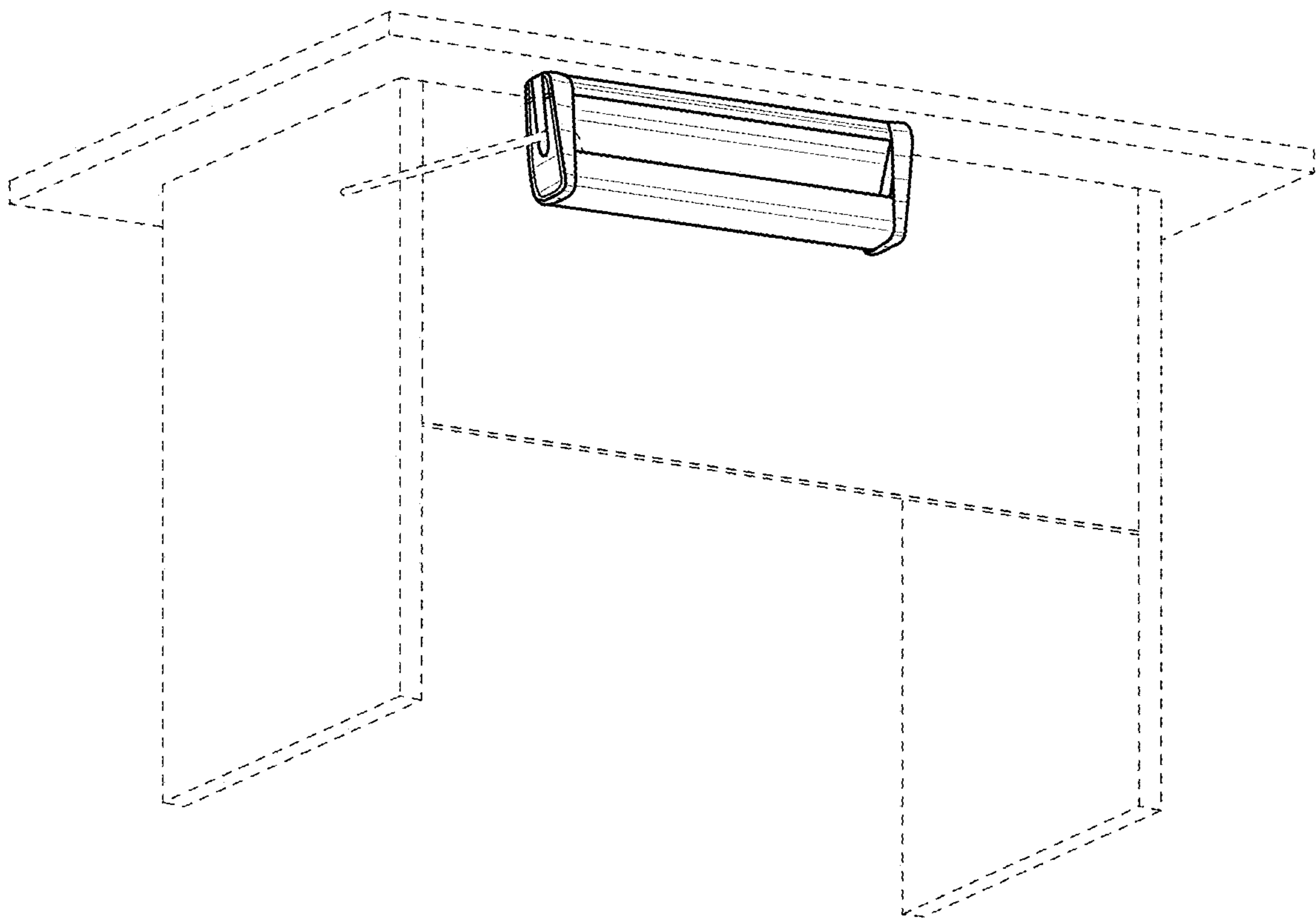


FIG. 9

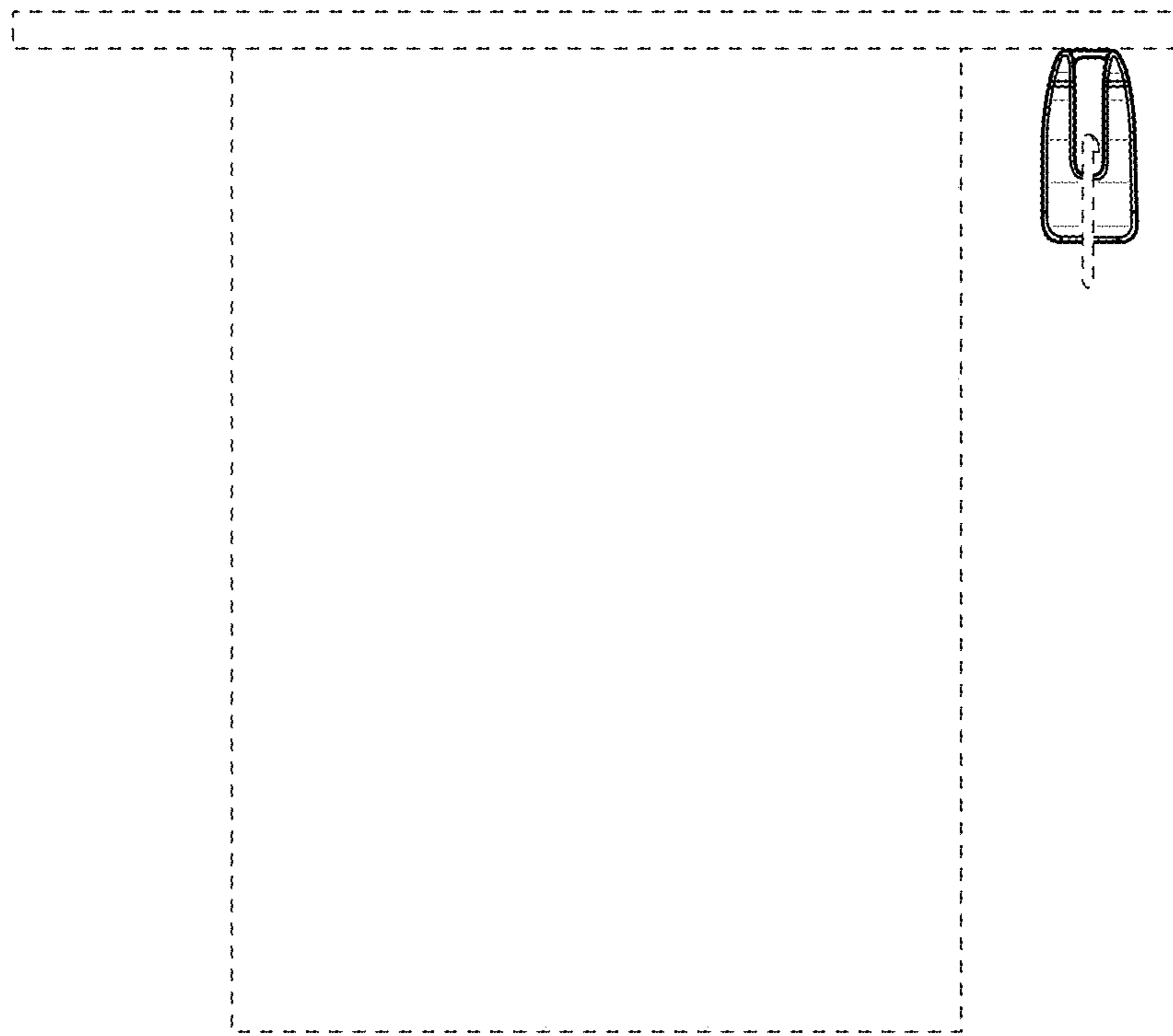


FIG. 10

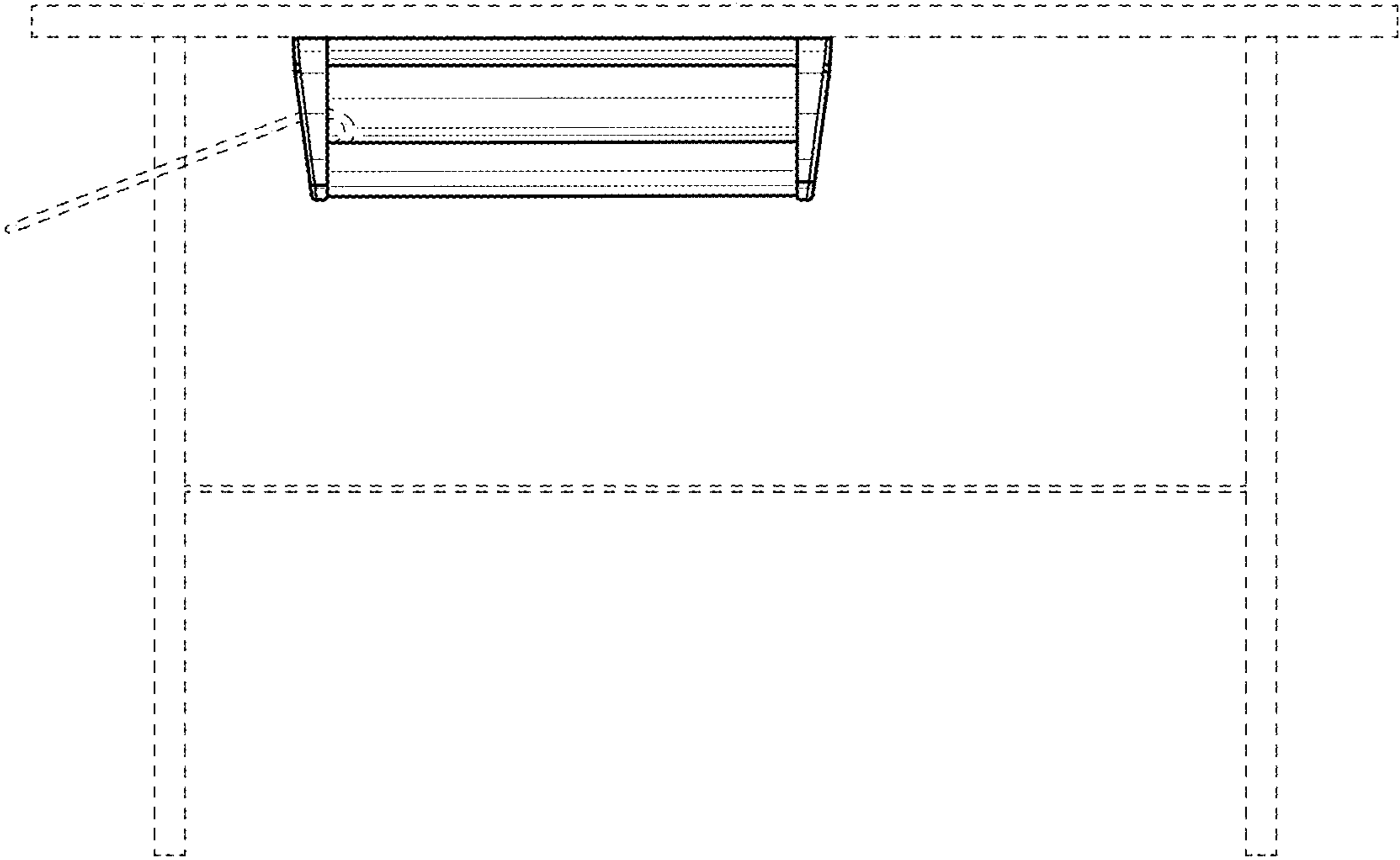


FIG. 11