



US00D884652S

(12) **United States Design Patent** (10) **Patent No.:** **US D884,652 S**  
**Hood** (45) **Date of Patent:** **\*\* May 19, 2020**

(54) **WIRE COVER END CAP** 2011/0088740 A1\* 4/2011 Mittan ..... F24S 25/16  
136/244  
(71) Applicant: **David C. Hood**, Lincoln, CA (US) 2011/0265860 A1 11/2011 Ciasulli et al.  
2011/0303262 A1 12/2011 Wolter  
(72) Inventor: **David C. Hood**, Lincoln, CA (US) 2012/0192925 A1 8/2012 Grushkowitz et al.  
2013/0175231 A1\* 7/2013 Klinga ..... H02S 20/00  
211/41.1  
(\*\*) Term: **15 Years** (Continued)

(21) Appl. No.: **29/607,442**  
(22) Filed: **Jun. 13, 2017**

FOREIGN PATENT DOCUMENTS

JP 2015158101 A 9/2015  
KR 101562850 B1 10/2015

**Related U.S. Application Data**

(63) Continuation of application No. 15/488,275, filed on Apr. 14, 2017, now Pat. No. 10,187,007.

OTHER PUBLICATIONS

PCT/US/2017/027782—International Search Report and Written Opinion dated Sep. 20, 2017, 10 pages.

(51) **LOC (12) Cl.** ..... **13-03**  
(52) **U.S. Cl.**

USPC ..... **D13/153**; D13/102

(58) **Field of Classification Search**  
USPC ..... D13/102, 118, 184, 199; D8/350, 351, D8/352, 353, 354, 355, 356; D25/119, D25/123, 124, 125

CPC .... F24J 2/46; F24J 2/526; F24J 2/5207; F24J 2/5211; F24J 2/5245; F24J 2/5258; F24J 2002/522; F24J 2002/5298; Y02E 10/47; Y02B 10/20; H02S 20/00; H02S 20/10; H02S 20/21; H02S 20/22; H02S 20/23; H02S 20/26; H02S 30/00–20; H01R 9/00

See application file for complete search history.

(Continued)

*Primary Examiner* — Derrick E Holland  
(74) *Attorney, Agent, or Firm* — Haynes Beffel & Wolfeld LLP; Andrew L. Dunlap

(57) **CLAIM**

The ornamental design for a wire cover end cap, as shown and described.

**DESCRIPTION**

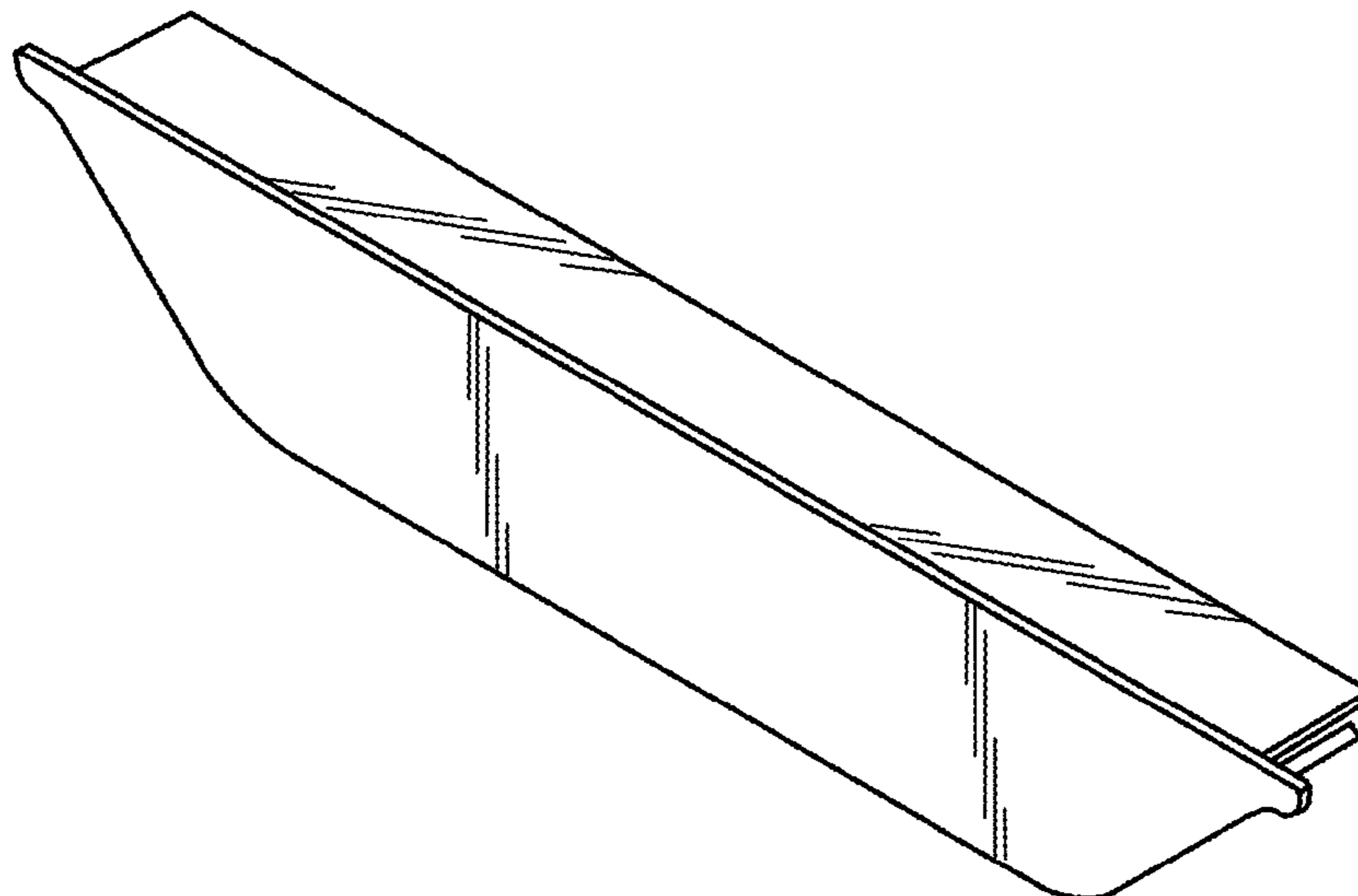
FIG. 1 is a front, top, right side perspective view of a wire cover end cap showing my new design; FIG. 2 is a top plan view thereof; FIG. 3 is a front elevation view thereof; FIG. 4 is a right side elevation view thereof; FIG. 5 is a left side elevation view thereof; FIG. 6 is a rear elevation view thereof; and, FIG. 7 is a bottom plan view thereof. The broken lines in the drawings are for the purpose of illustrating portions of the wire cover end cap that form no part of the claimed design.

(56) **References Cited**

U.S. PATENT DOCUMENTS

4,433,200 A 2/1984 Jester et al.  
5,164,020 A 11/1992 Wagner et al.  
D393,289 S \* 4/1998 Suzuki ..... D13/158  
D673,903 S \* 1/2013 Kobayashi ..... D13/102  
8,640,400 B2 \* 2/2014 Liebendorfer ..... H02S 20/23  
52/173.3  
D710,792 S \* 8/2014 Cai ..... D13/102  
D719,084 S \* 12/2014 Kruse ..... D13/102  
D823,786 S \* 7/2018 Stephan ..... D13/102  
2003/0070368 A1 4/2003 Shingleton

**1 Claim, 2 Drawing Sheets**



(56)

**References Cited**

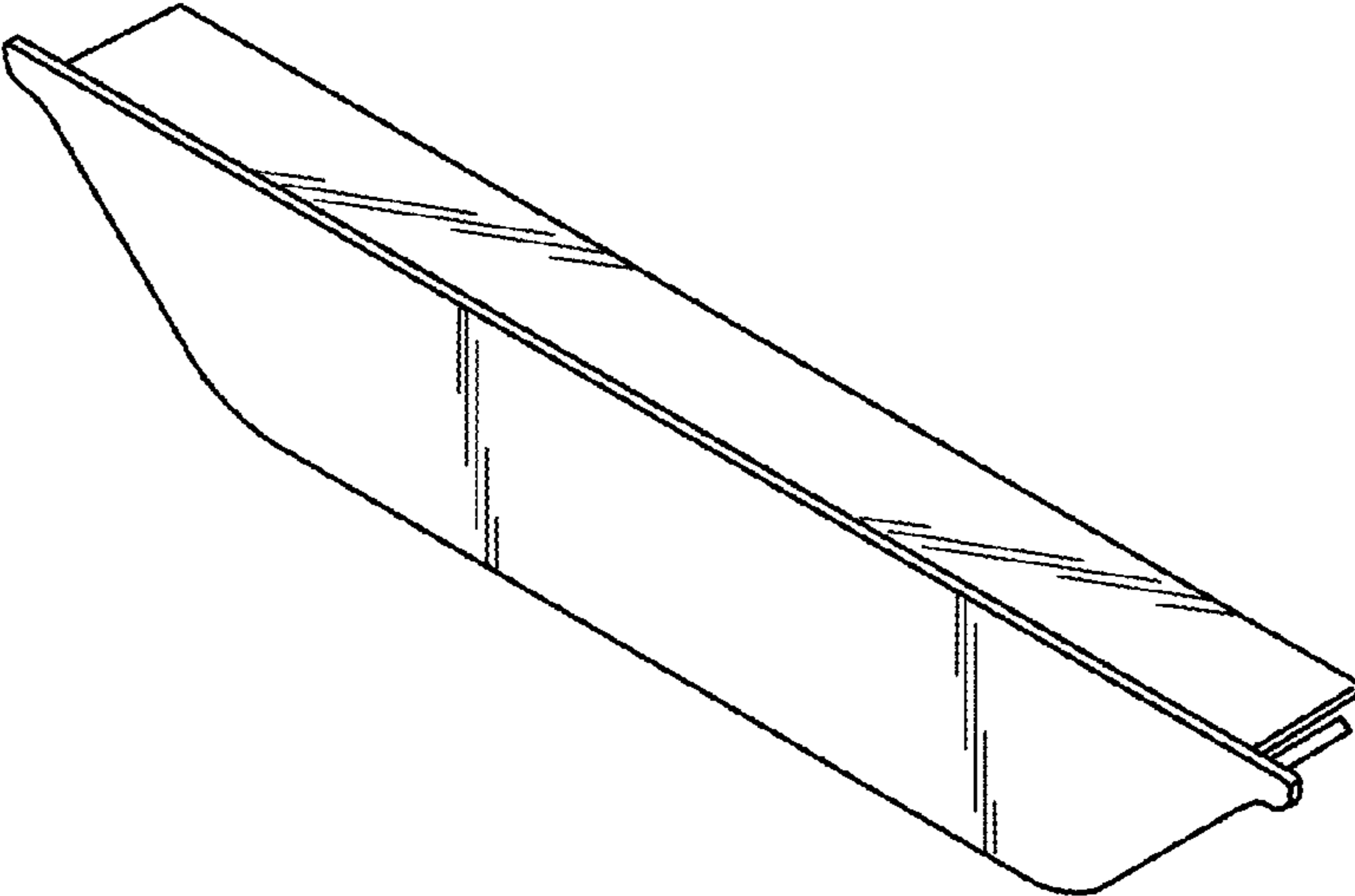
U.S. PATENT DOCUMENTS

2014/0048498 A1 2/2014 Kuan  
2014/0137927 A1 5/2014 Kim et al.  
2014/0246077 A1 9/2014 Poulakis  
2016/0268965 A1 9/2016 Stearns et al.  
2017/0207743 A1\* 7/2017 Lemos ..... H02S 20/20

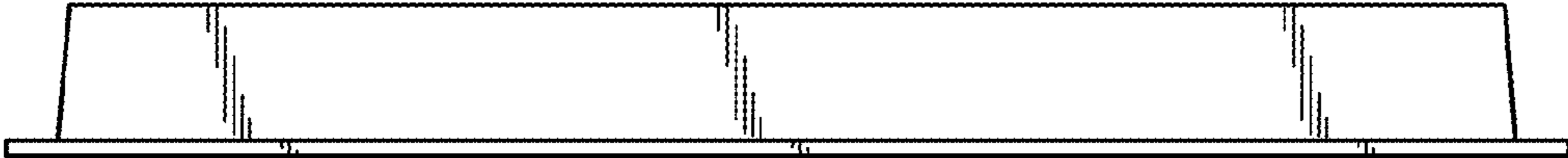
OTHER PUBLICATIONS

U.S. Appl. No. 29/607,445—Design Application filed Jun. 13, 2017,  
3 pages.

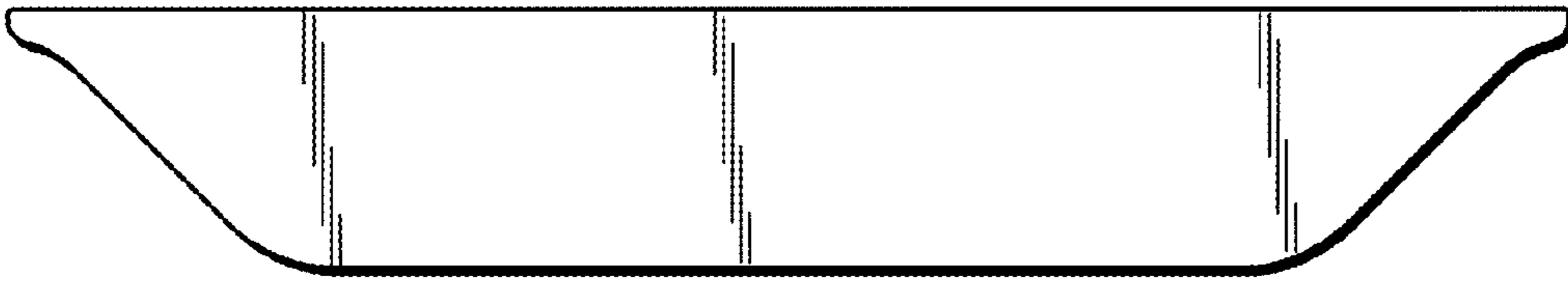
\* cited by examiner



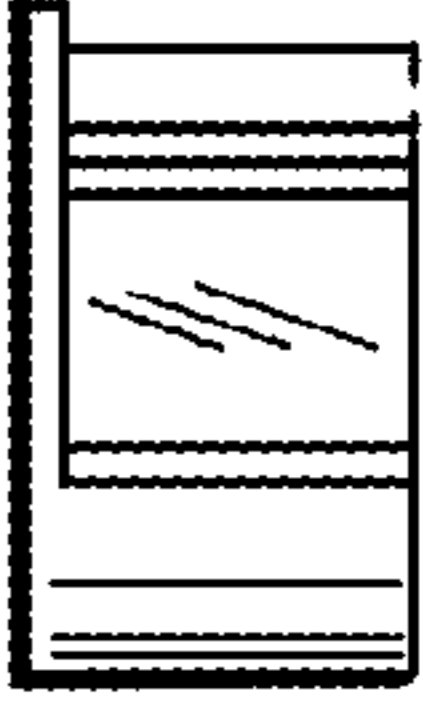
**FIG. 1**



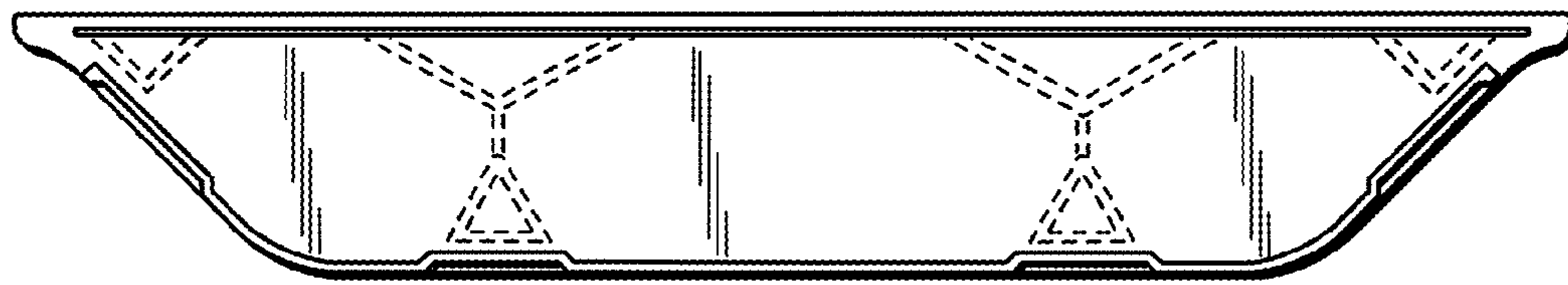
**FIG. 2**



**FIG. 3**



**FIG. 4**



**FIG. 6**



**FIG. 5**



**FIG. 7**