



US00D884649S

(12) **United States Design Patent**
Ehrensward

(10) **Patent No.:** **US D884,649 S**

(45) **Date of Patent:** **** May 19, 2020**

(54) **USB-C SURFACE MOUNT CONNECTOR**

(71) Applicant: **Yubico AB**, Stockholm (SE)

(72) Inventor: **Jakob Ehrensward**, Palo Alto, CA (US)

(73) Assignee: **YUBICO AB**, Stockholm (SE)

(**) Term: **15 Years**

(21) Appl. No.: **29/662,062**

(22) Filed: **Aug. 31, 2018**

(51) **LOC (12) Cl.** **13-03**

(52) **U.S. Cl.**
USPC **D13/147**

(58) **Field of Classification Search**
USPC D13/154, 155, 133, 153, 147
CPC .. H01R 12/716; H01R 12/57; H01R 13/6273;
H01R 13/6683; H01R 24/62; H01R
12/7005; H01R 2107/00
See application file for complete search history.

(56) **References Cited**

U.S. PATENT DOCUMENTS

6,315,584	B1	11/2001	Greenside et al.	
D517,993	S *	3/2006	Su	D13/147
8,000,502	B2	8/2011	Dave et al.	
D768,085	S *	10/2016	Yokoyama	D13/147
D769,196	S *	10/2016	Yokoyama	D13/147
D772,165	S *	11/2016	Chien	D13/147
9,502,821	B2	11/2016	Little et al.	
D808,341	S *	1/2018	Kimura	D13/147
D808,342	S *	1/2018	Yamaguchi	D13/147
9,917,455	B1	3/2018	Shipman et al.	
D837,161	S *	1/2019	Yokoyama	D13/147
D837,162	S *	1/2019	Kimura	D13/147
D837,163	S *	1/2019	Kimura	D13/147
10,205,257	B1	2/2019	Li et al.	
D843,946	S *	3/2019	Naganuma	D13/147
D848,950	S *	5/2019	Kimura	D13/147
D848,951	S *	5/2019	Kimura	D13/147

2010/0041265 A1 2/2010 Wang
2012/0253607 A1 10/2012 Choi
2013/0078831 A1 3/2013 Chiu et al.
(Continued)

OTHER PUBLICATIONS

PCT International Search Report and Written Opinion, PCT Application No. PCT/US18/49246, dated Nov. 30, 2018, 16 pages.

Primary Examiner — Bridget L Eland

(74) *Attorney, Agent, or Firm* — Fenwick & West LLP

(57) **CLAIM**

The ornamental design for a USB-C surface mount connector, as shown and described.

DESCRIPTION

FIG. 1 is a top, back, and right side perspective view of a first embodiment of a USB-C surface mount connector showing my new design;

FIG. 2 is a front view thereof;

FIG. 3 is a back view thereof;

FIG. 4 is a left side view thereof;

FIG. 5 is a right side view thereof;

FIG. 6 is a top view thereof;

FIG. 7 is a bottom view thereof;

FIG. 8 is a top, back, and right side perspective view of a second embodiment of a USB-C surface mount connector showing my new design;

FIG. 9 is a front view thereof;

FIG. 10 is a back view thereof;

FIG. 11 is a left side view thereof;

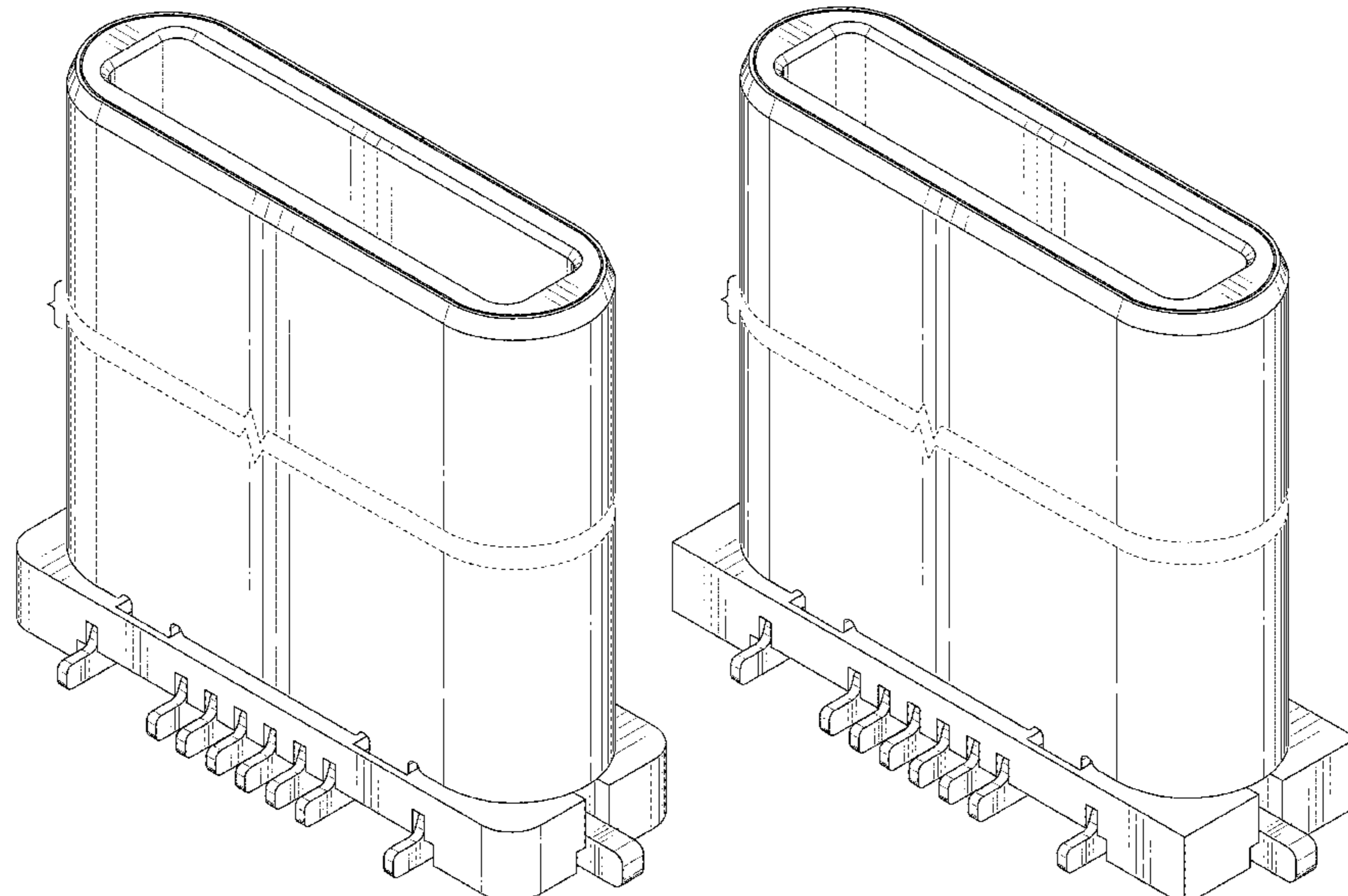
FIG. 12 is a right side view thereof;

FIG. 13 is a top view thereof; and,

FIG. 14 is a bottom view thereof.

The brackets and broken line broken away symbols in the drawings indicate the broken lines and appearance of any portion of the article between the break lines forms no part of the claimed design.

1 Claim, 14 Drawing Sheets



(56)

References Cited

U.S. PATENT DOCUMENTS

2015/0171562 A1 6/2015 Gao et al.
2015/0229073 A1 8/2015 Katayanagi
2016/0156114 A1 6/2016 Kao et al.
2016/0344122 A1 11/2016 Kao et al.
2017/0110812 A1 4/2017 Tsai et al.
2017/0125944 A1 5/2017 Yokoyama
2017/0194749 A1 7/2017 Little et al.
2019/0013603 A1 1/2019 Azad et al.
2019/0067853 A1 2/2019 Ehrensvard

* cited by examiner

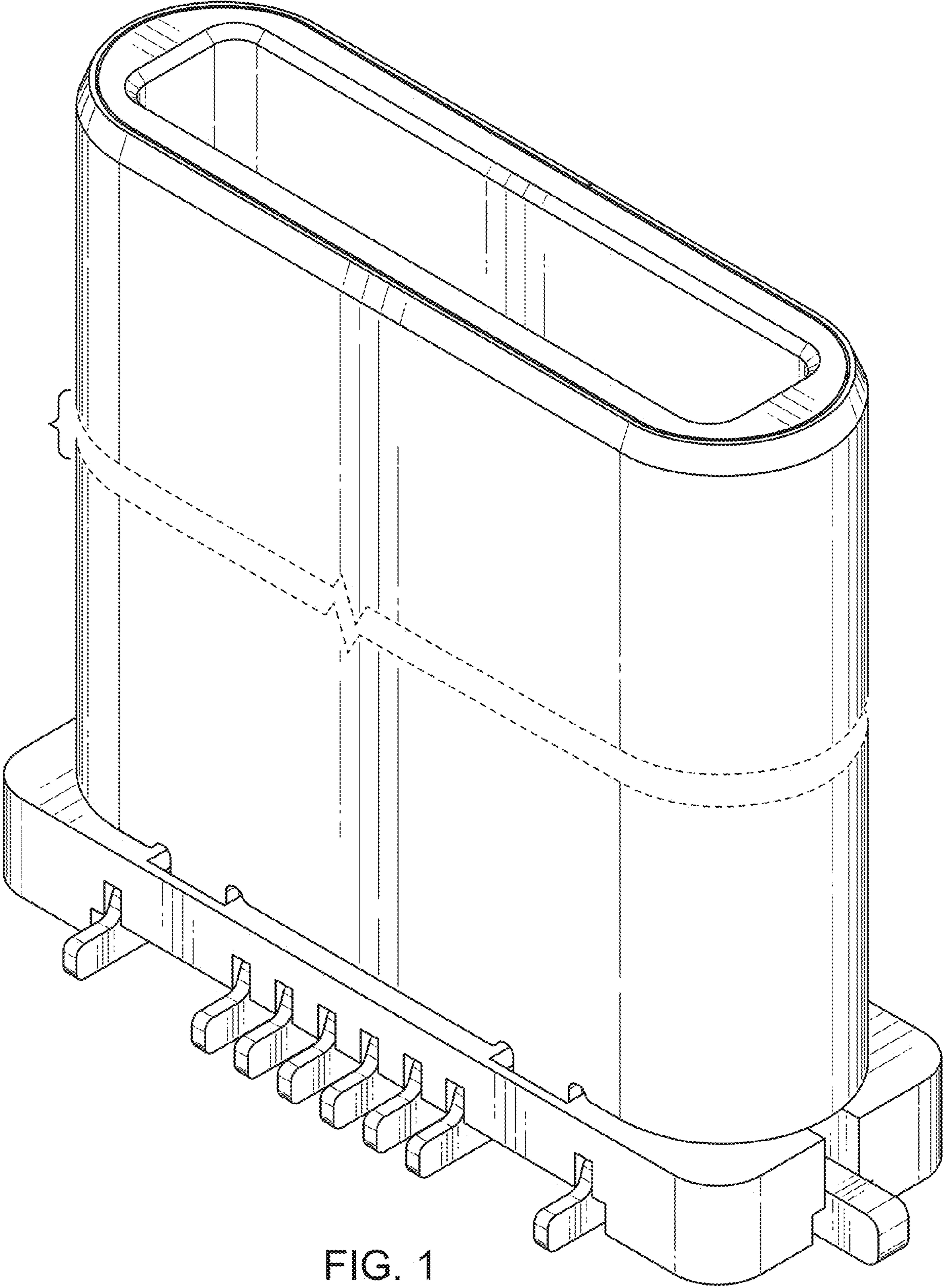


FIG. 1

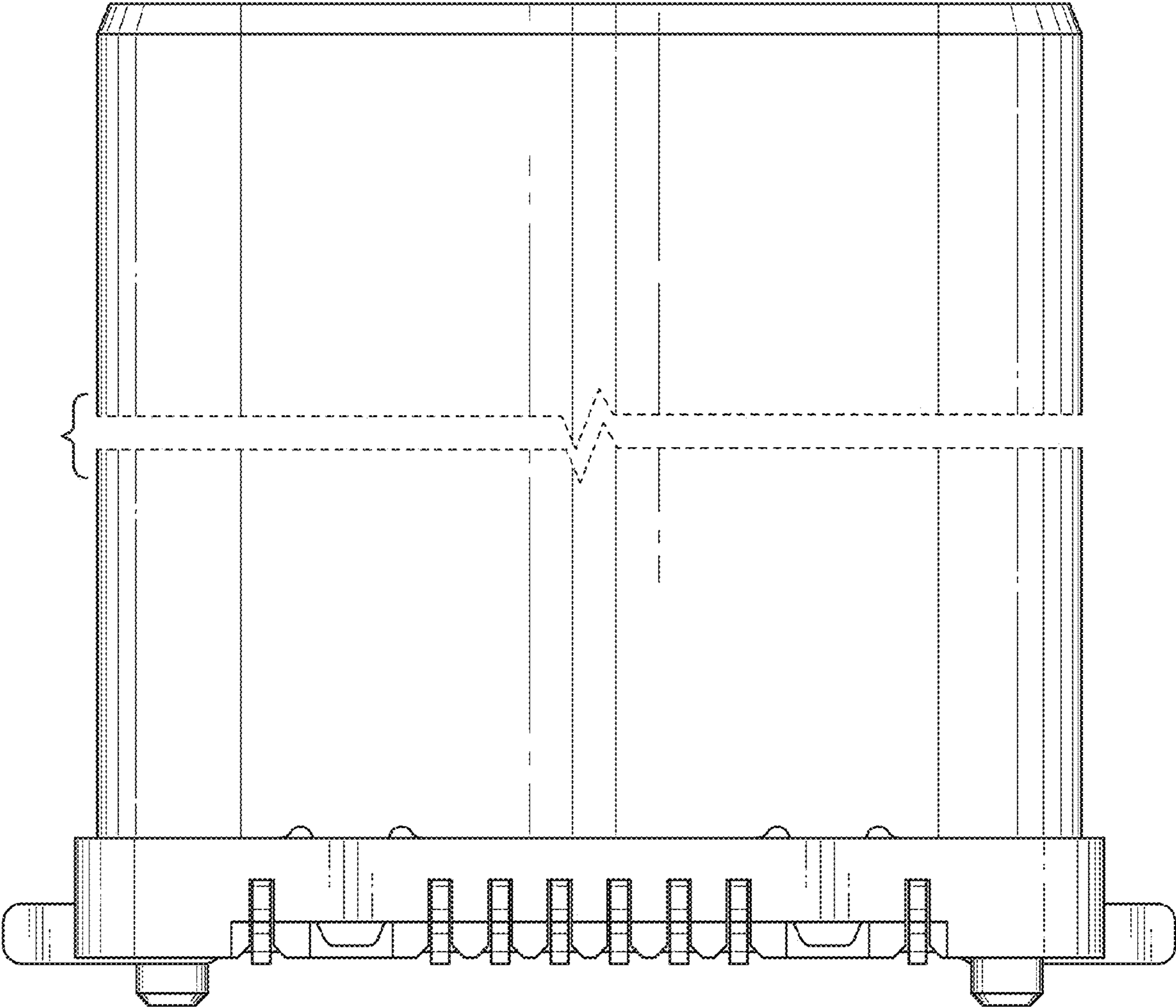


FIG. 2

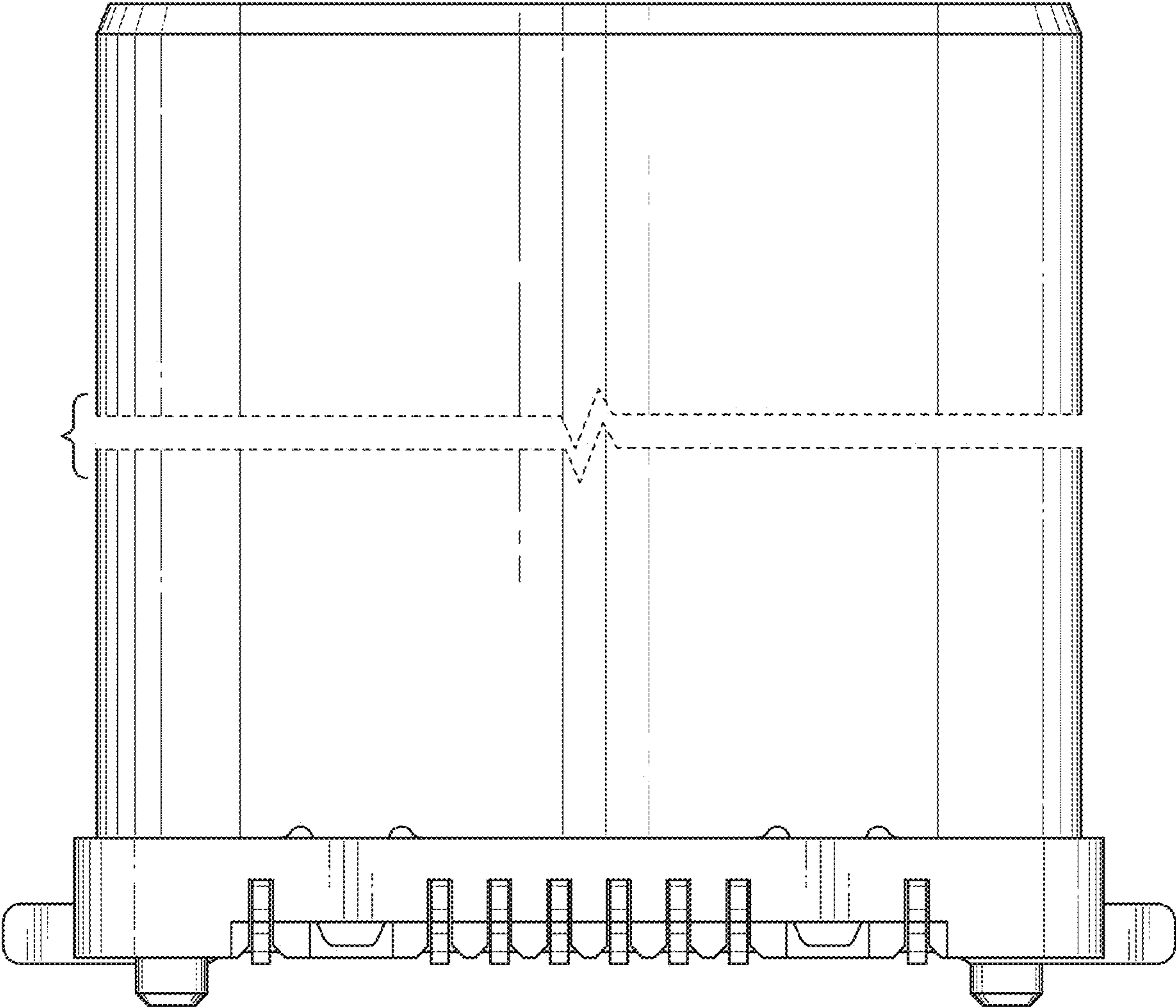


FIG. 3

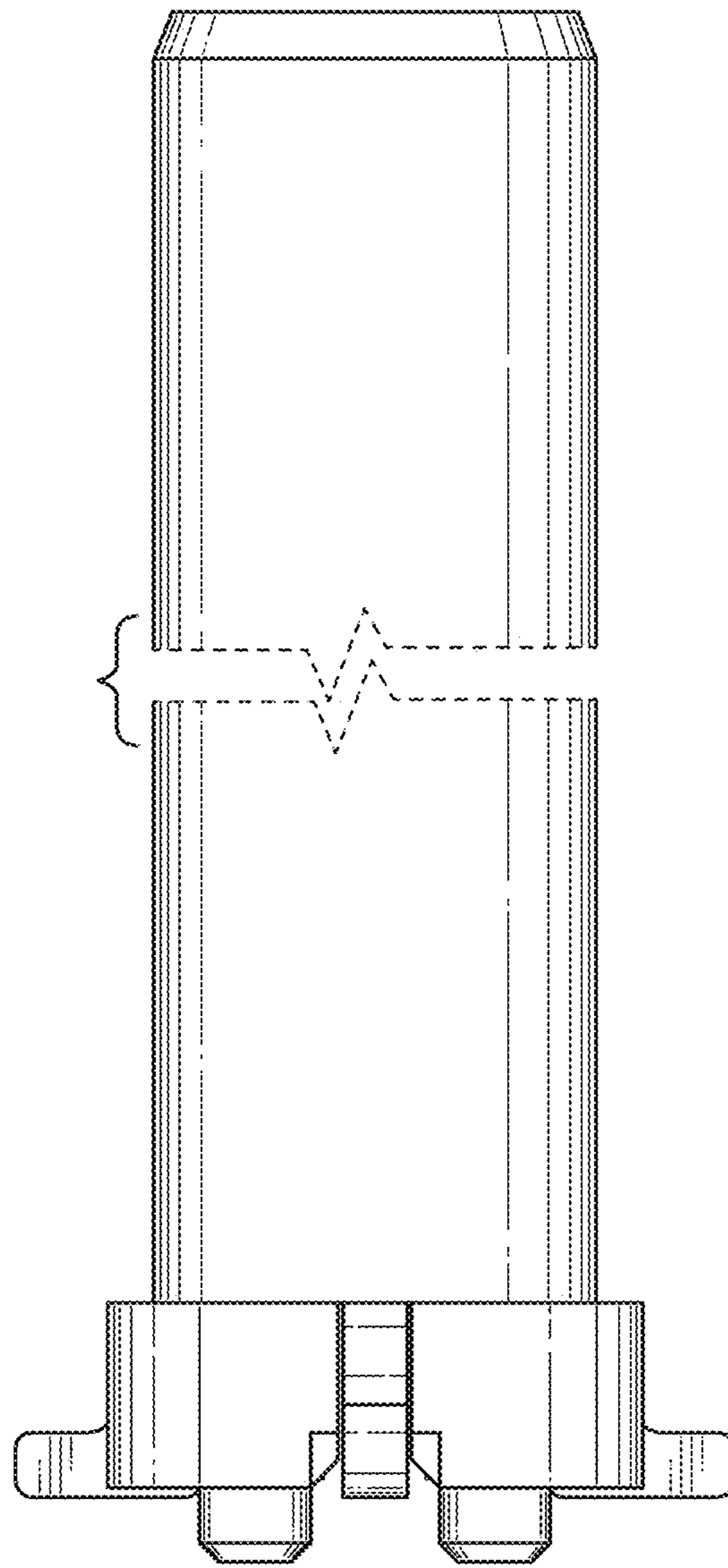


FIG. 4

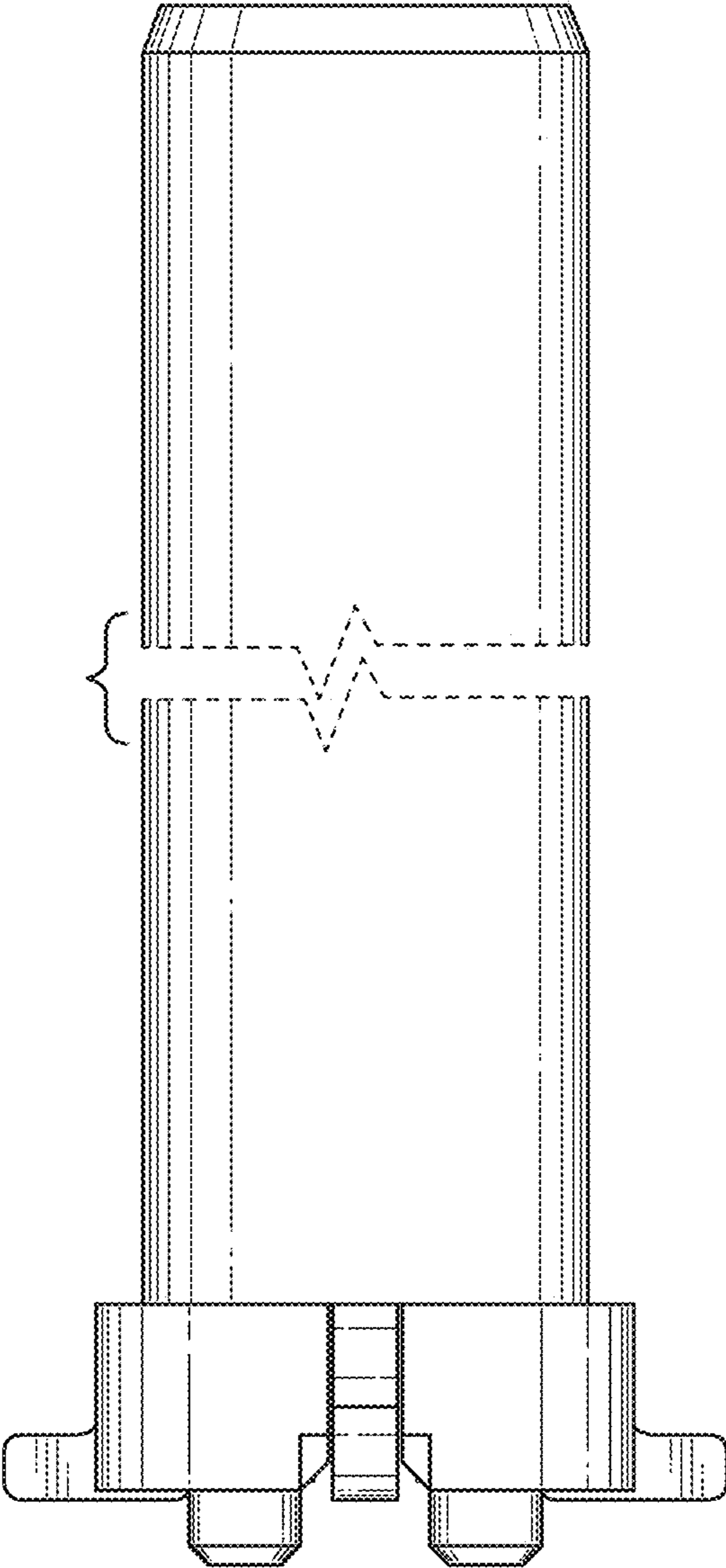


FIG. 5

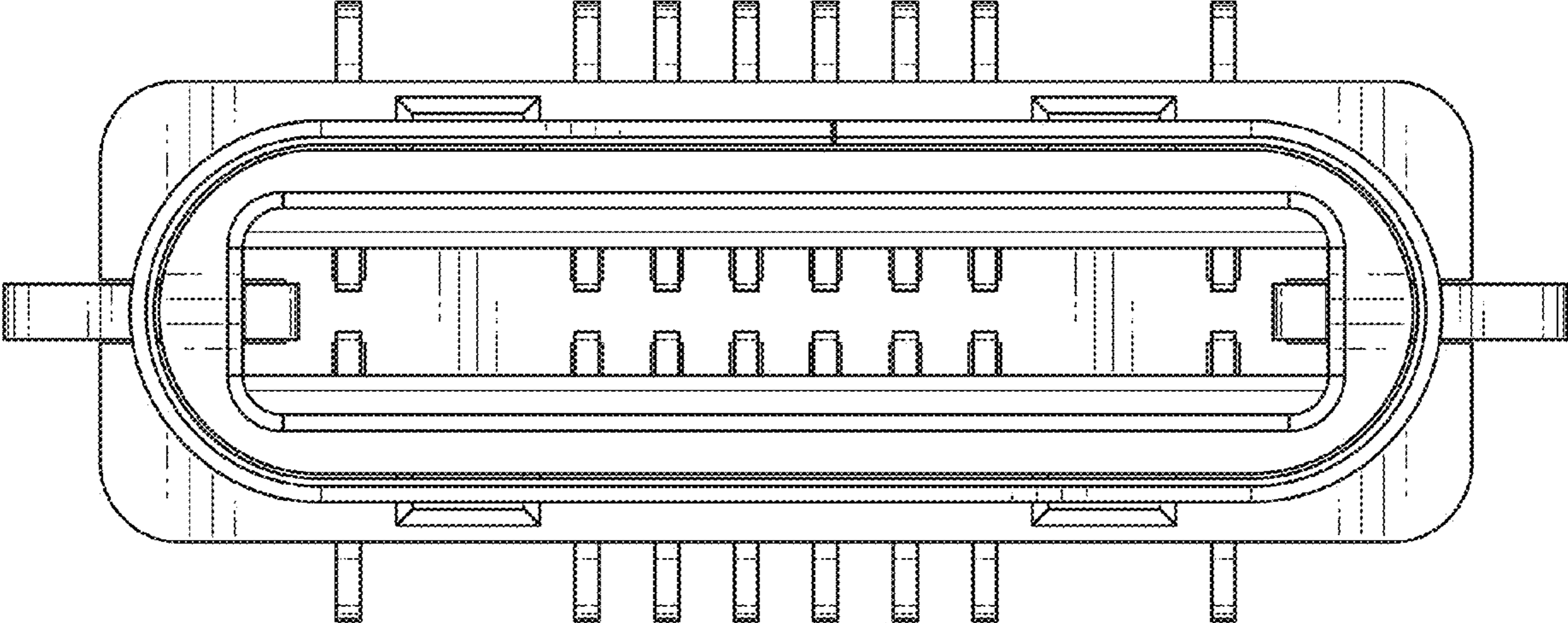


FIG. 6

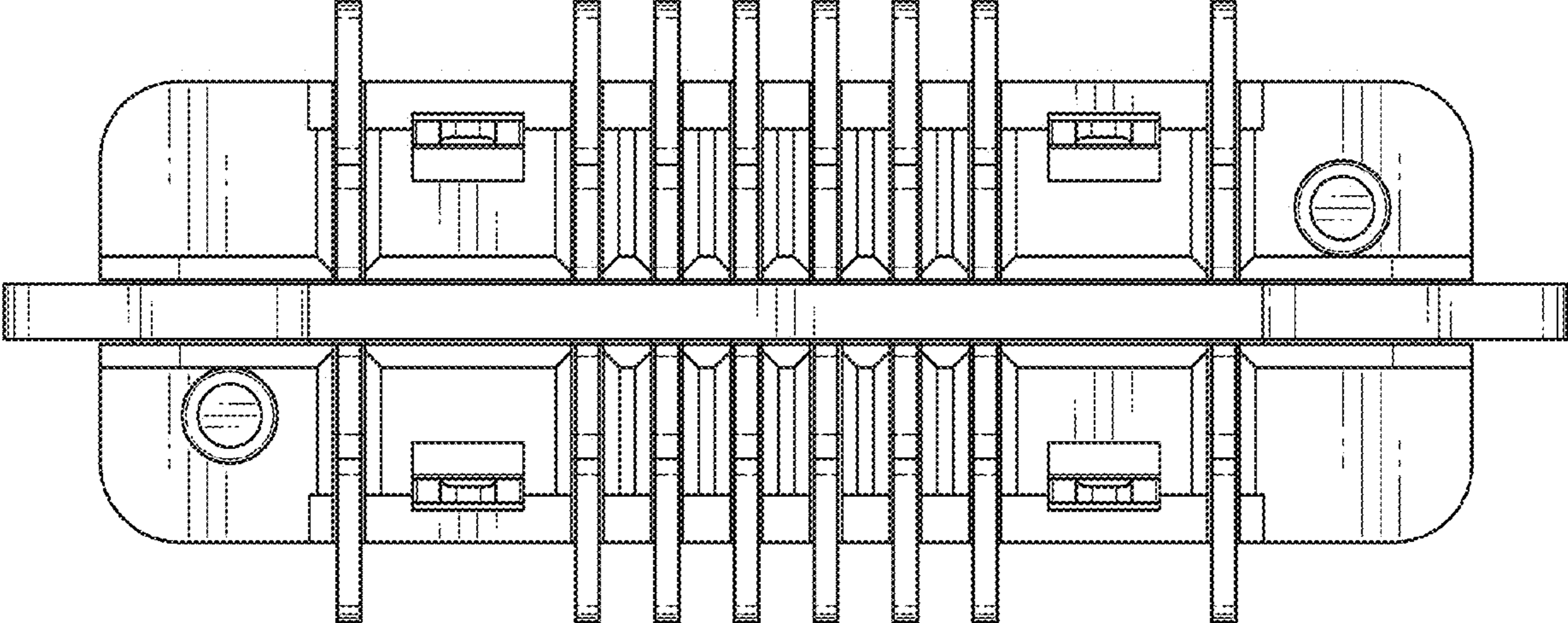


FIG. 7

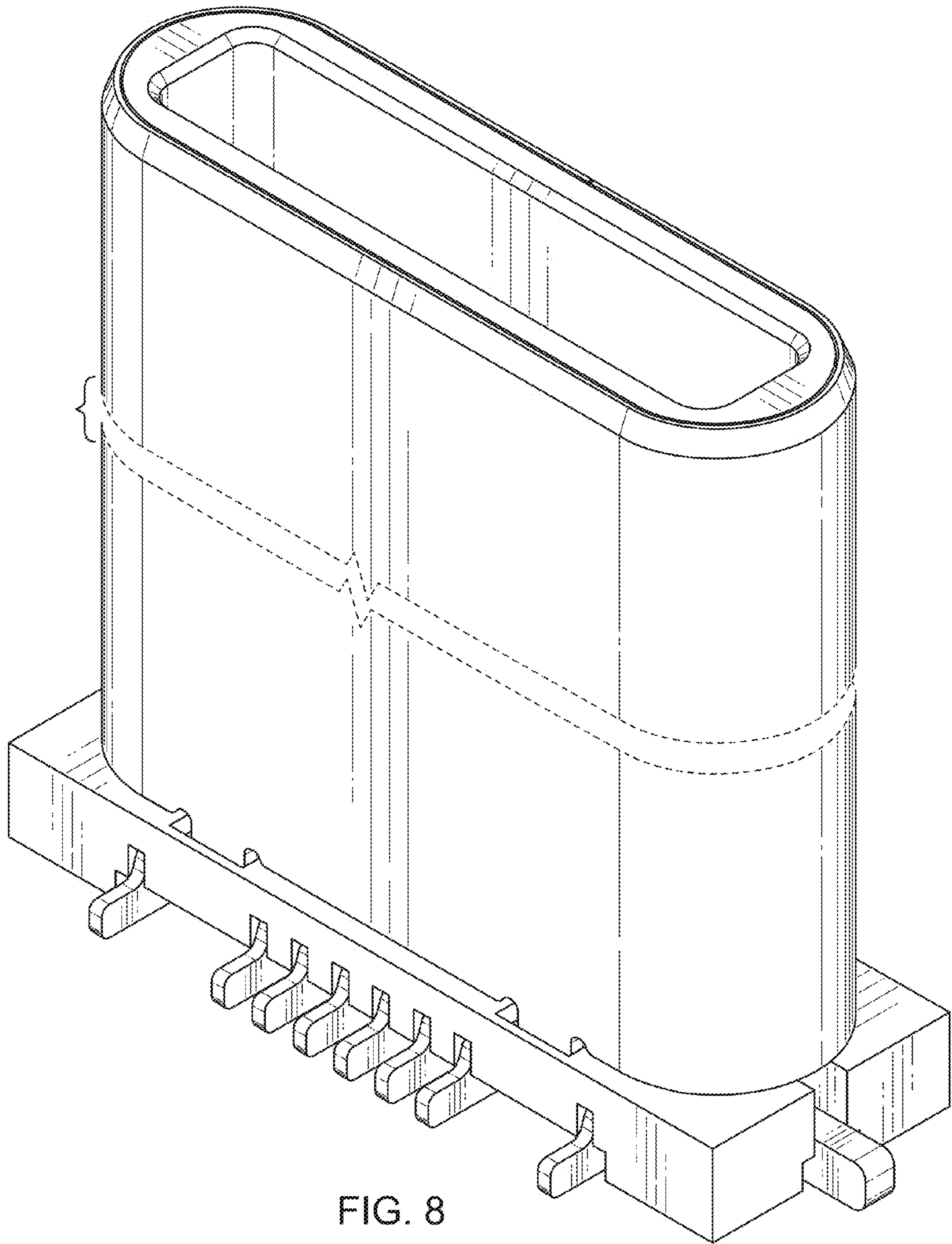


FIG. 8

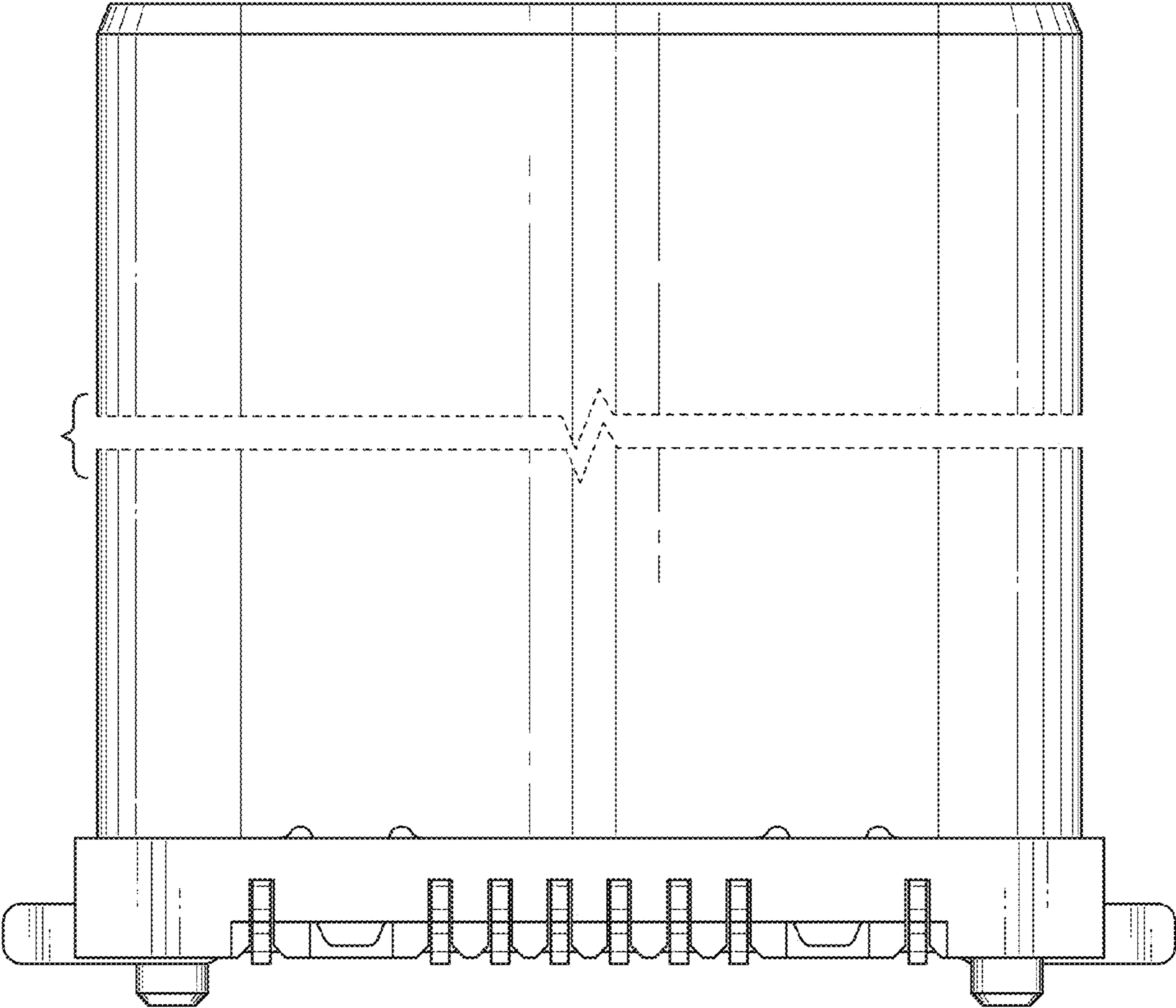


FIG. 9

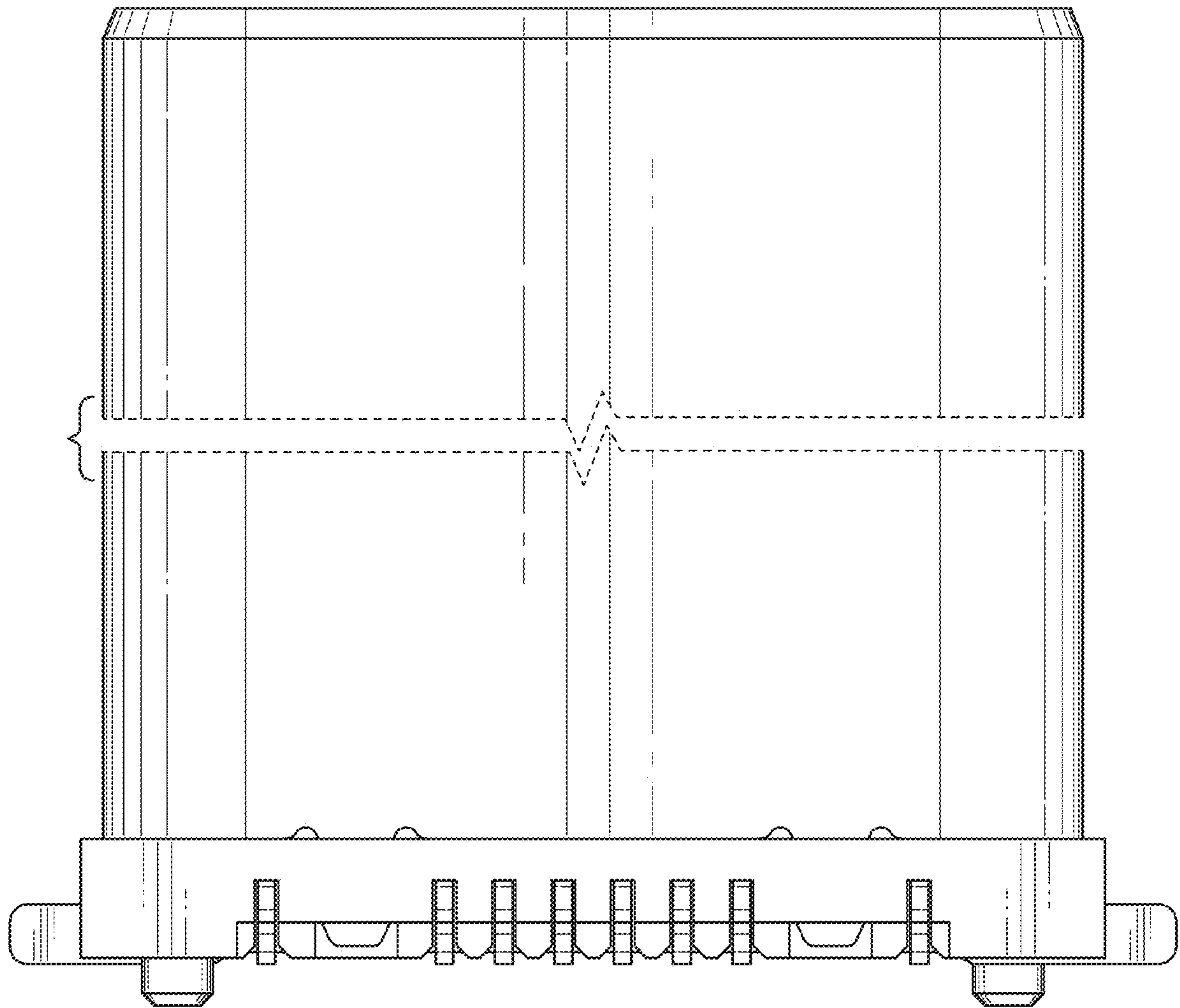


FIG. 10

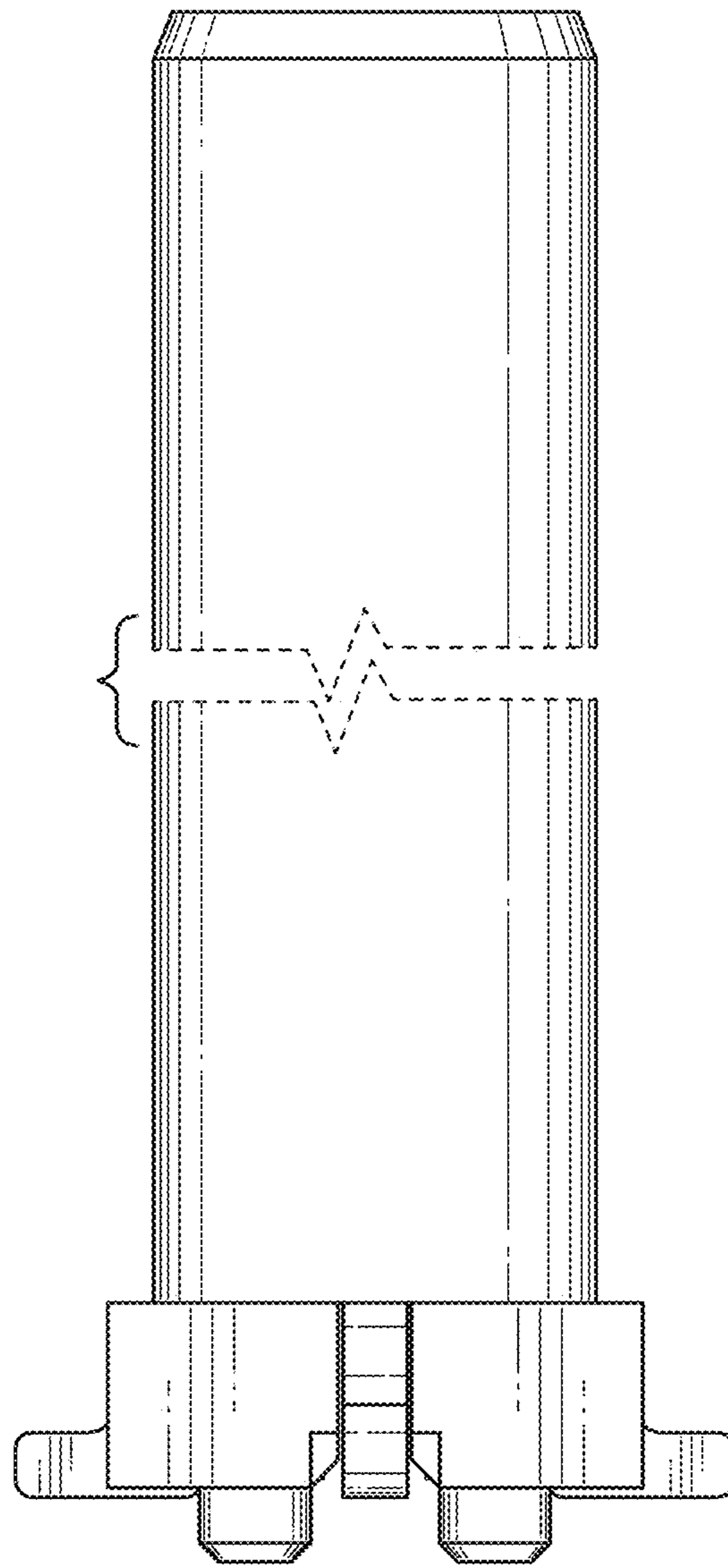


FIG. 11

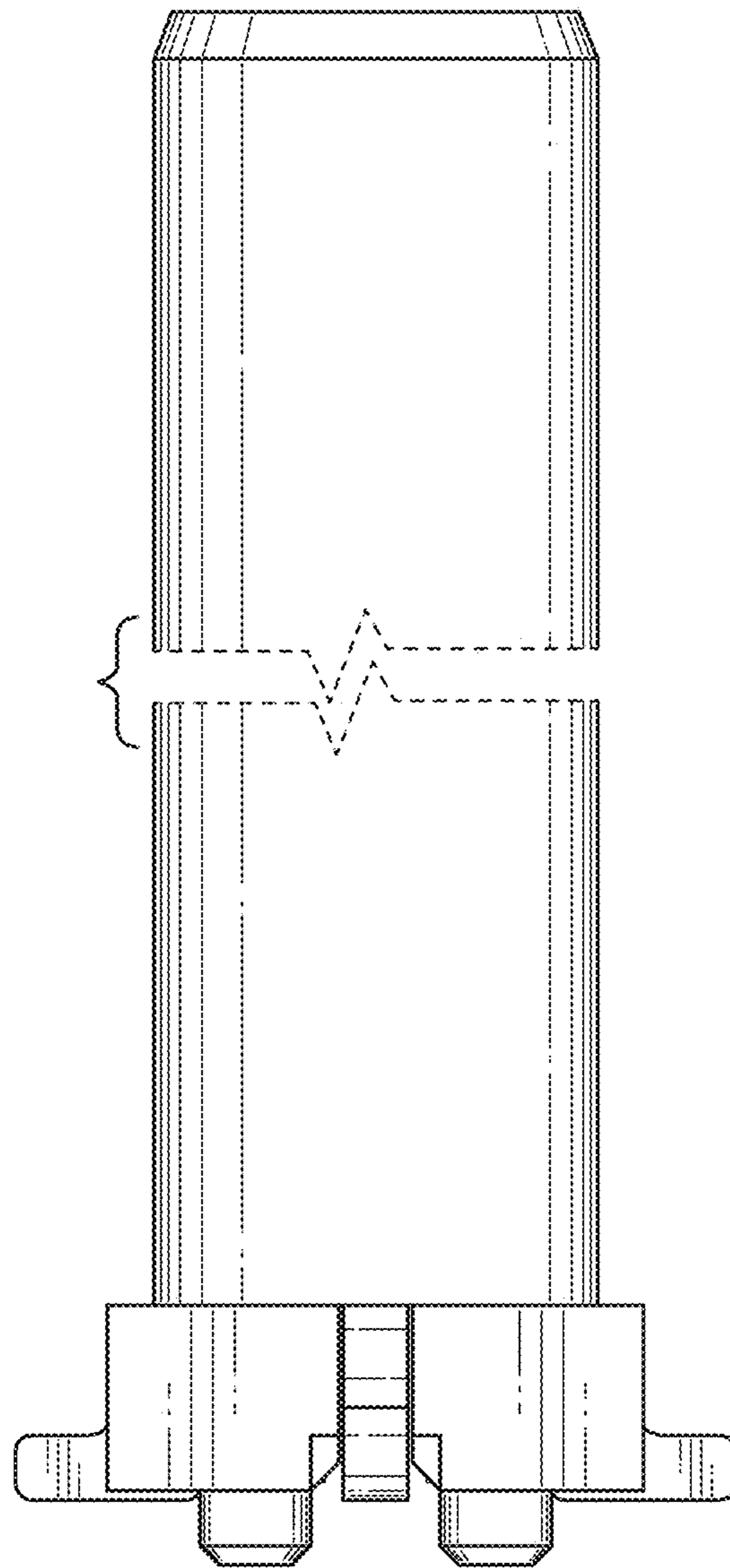


FIG. 12

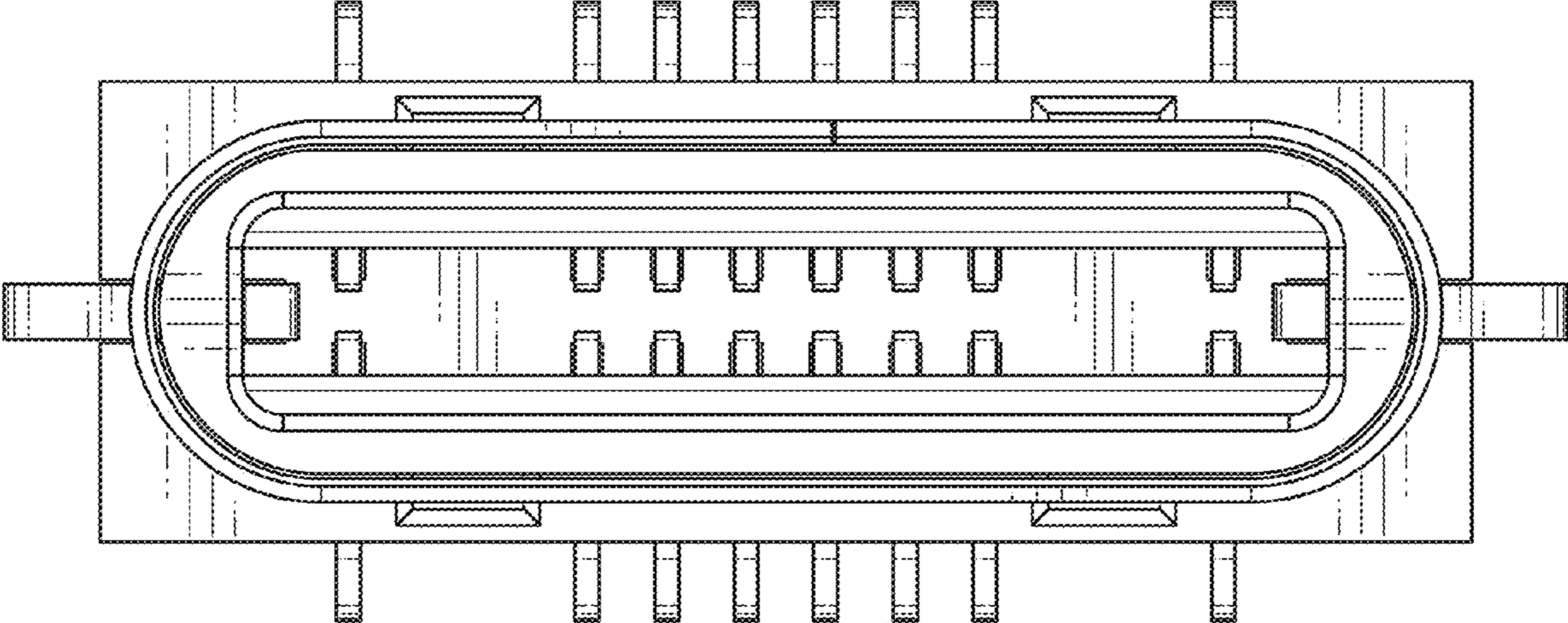


FIG. 13

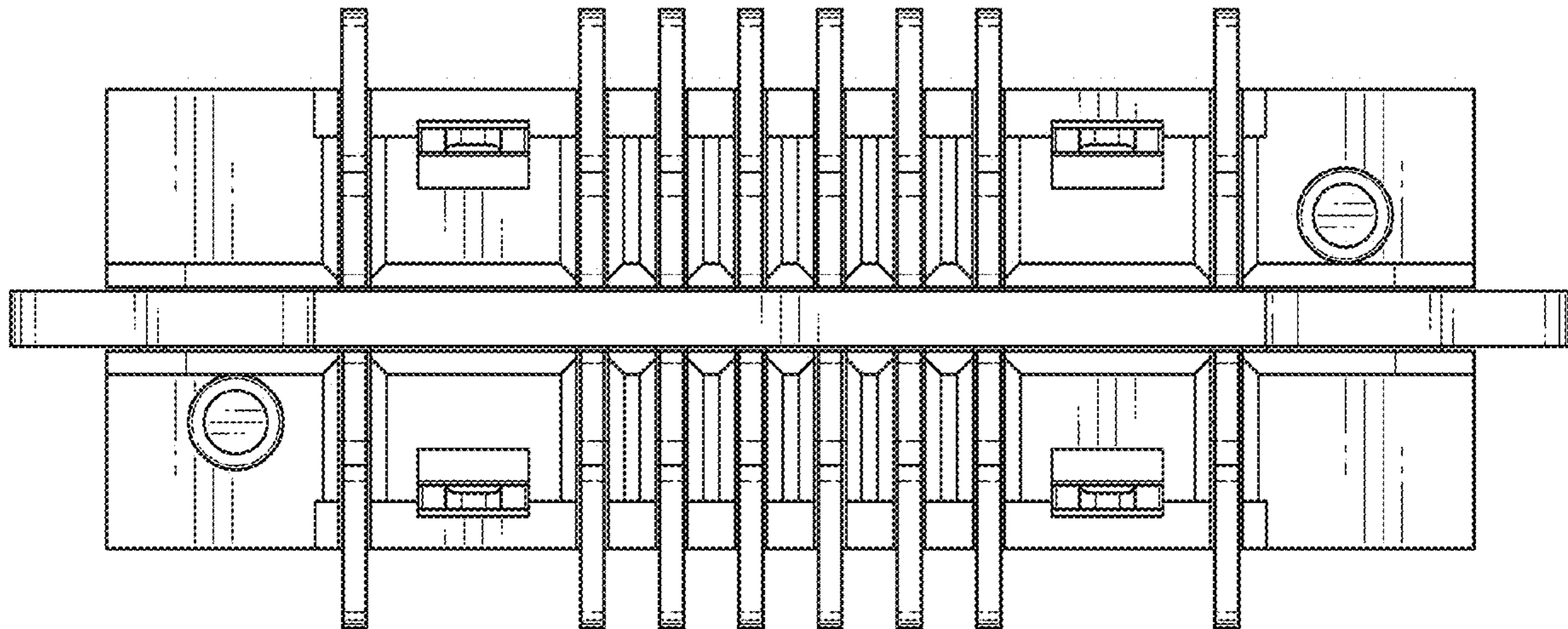


FIG. 14