



US00D884648S

(12) **United States Design Patent**  
**Gassner**

(10) **Patent No.:** **US D884,648 S**

(45) **Date of Patent:** **\*\* May 19, 2020**

(54) **SWITCH**

(71) Applicant: **limoss (Dongguan) Co., Ltd.**,  
Dongguan, Guangdong Province (CN)

(72) Inventor: **Christian Gassner**, Guangdong (CN)

(73) Assignee: **limoss (Dongguan) Co., Ltd.**,  
Dongguan (CN)

(\*\*) Term: **15 Years**

(21) Appl. No.: **29/661,274**

(22) Filed: **Aug. 26, 2018**

(51) **LOC (12) Cl.** ..... **13-03**

(52) **U.S. Cl.**  
USPC ..... **D13/147; D13/173**

(58) **Field of Classification Search**  
USPC ..... D13/103, 107, 108, 110, 112, 118, 120,  
D13/123, 133, 137.1, 145-147, 149-156,  
D13/158, 173, 177, 184, 199, 242, 137.3,  
D13/139.6, 139.8, 176; D14/240, 242,  
D14/433, 434, 435.1, 438; D26/129;  
D3/207; D6/547, 682.3; D8/395;  
D11/78.1; D19/164, 170, 195, 196;  
D24/106; D28/39  
CPC ..... G01F 1/58; G01L 7/10; G01L 9/00; G01L  
19/12; G08B 21/00; H01H 9/16; H01H  
35/24; H01H 35/26; H01H 35/36  
See application file for complete search history.

(56) **References Cited**

**U.S. PATENT DOCUMENTS**

D30,630 S \* 4/1899 Caldwell ..... D8/395  
D375,552 S \* 11/1996 Davi ..... D24/106

D410,968 S \* 6/1999 Swan ..... D20/22  
D423,909 S \* 5/2000 Hartin ..... D8/349  
D508,841 S \* 8/2005 Jordan, Jr. .... D8/395  
8,167,148 B2 \* 5/2012 Jacobson ..... A47B 81/00  
108/193  
D706,530 S \* 6/2014 Lawson ..... D3/207  
D738,145 S \* 9/2015 Danford ..... D6/682.3  
D739,519 S \* 9/2015 Davi ..... D24/106  
D741,632 S \* 10/2015 Mahar ..... D6/682.3  
D754,459 S \* 4/2016 Wilton ..... D6/682.3  
D791,521 S \* 7/2017 Schwalbach ..... D6/682.3  
D807,819 S \* 1/2018 Park ..... D13/107  
D853,957 S \* 7/2019 Shin ..... D13/108

**OTHER PUBLICATIONS**

Arnold's Boat Shop. Sam Allen 1 1/4" —Tube Clip. no date specified.  
<https://www.arnoldsboatshop.com.au/1-tube-clip.html> (Year: 0).\*

\* cited by examiner

*Primary Examiner* — Darcey E Gottschalk

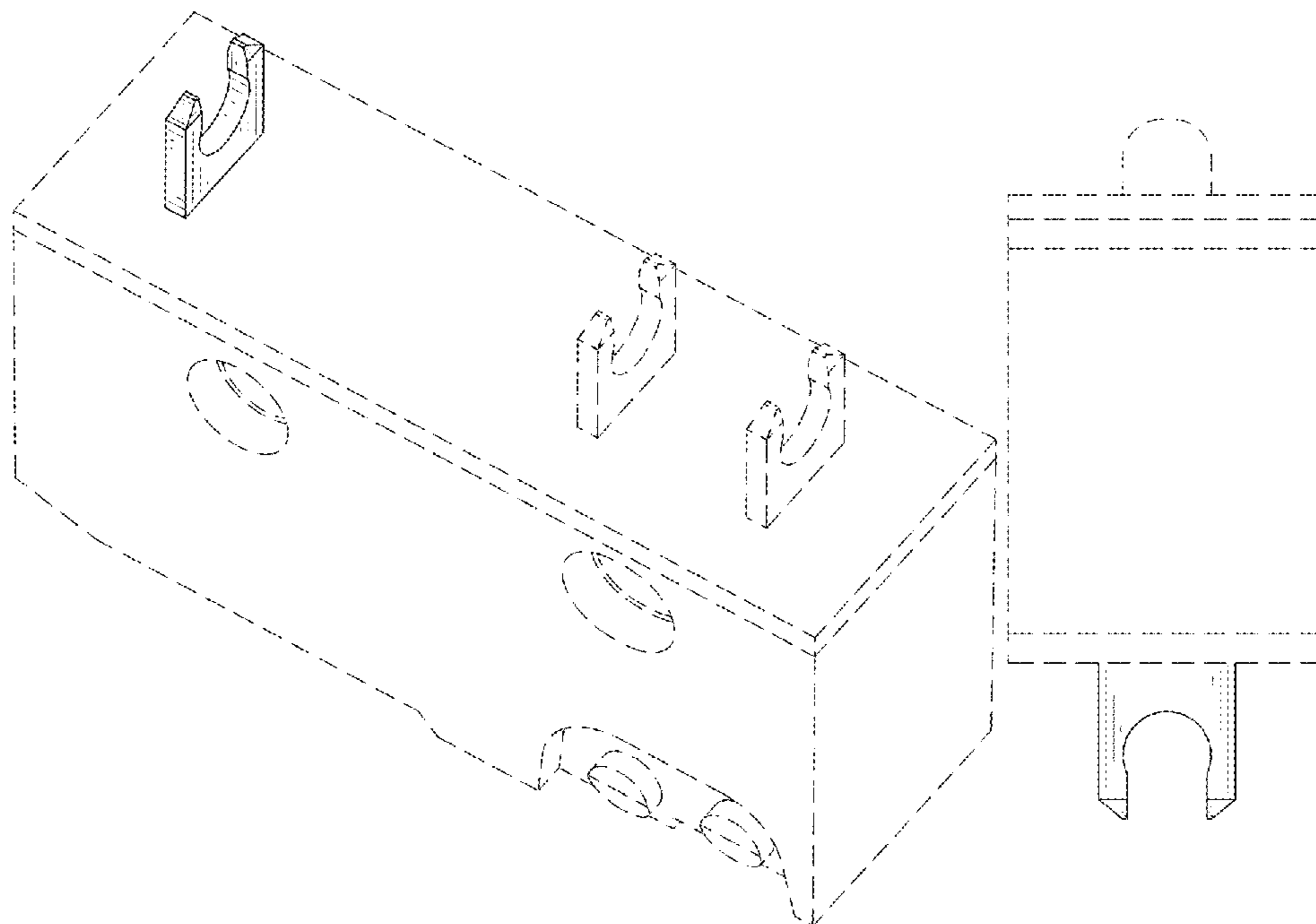
(57) **CLAIM**

The ornamental design for a switch, as shown and described.

**DESCRIPTION**

FIG. 1 is a bottom, front and left side perspective view of a switch showing my new design;  
FIG. 2 is a front elevational view thereof;  
FIG. 3 is a rear elevational view thereof;  
FIG. 4 is a left side view thereof;  
FIG. 5 is a right side view thereof;  
FIG. 6 is a top plan view thereof; and,  
FIG. 7 is a bottom plan view thereof.  
The broken lines in the drawings illustrate portions of the switch which form no part of the claimed design.

**1 Claim, 7 Drawing Sheets**



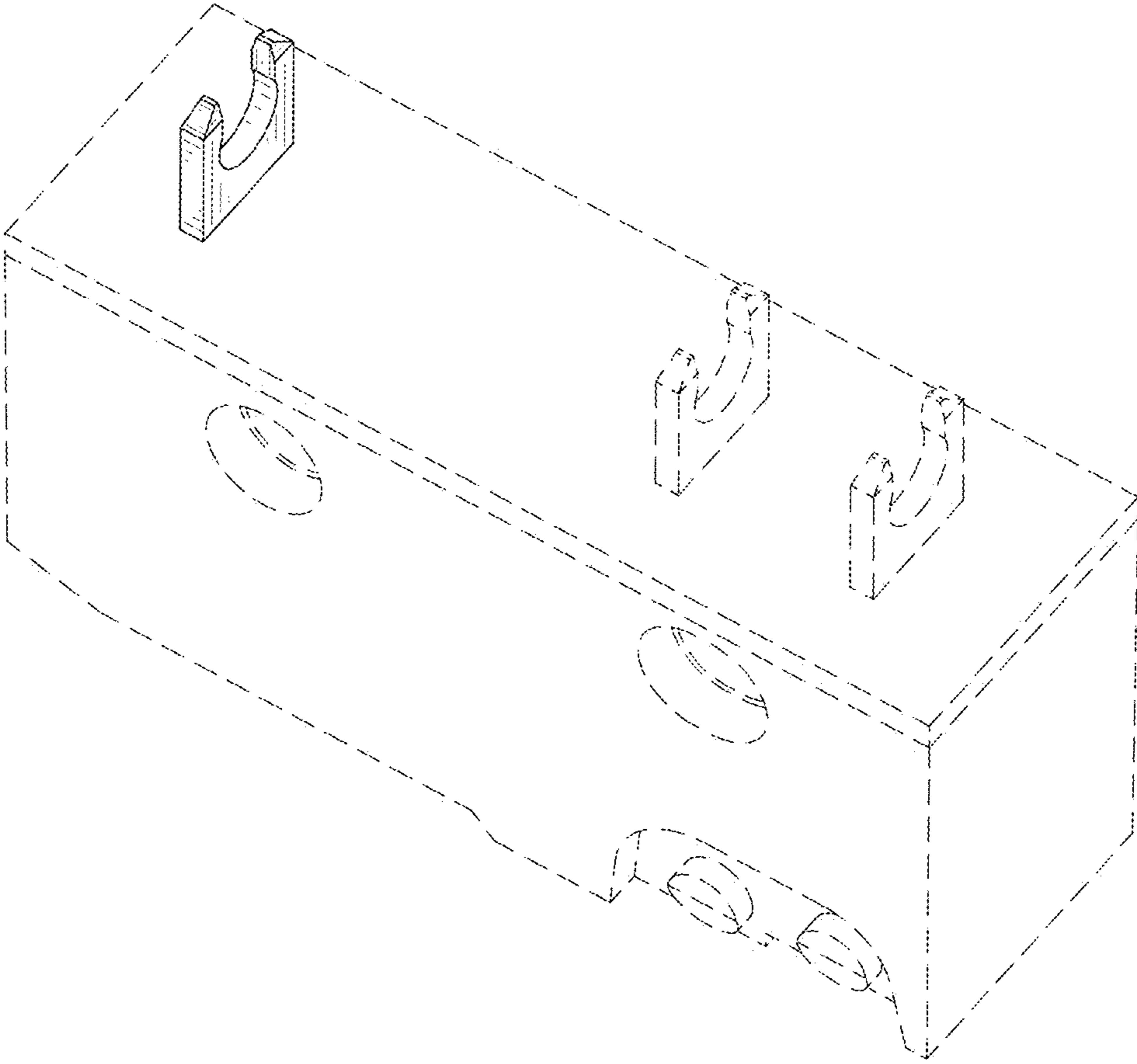


FIG. 1

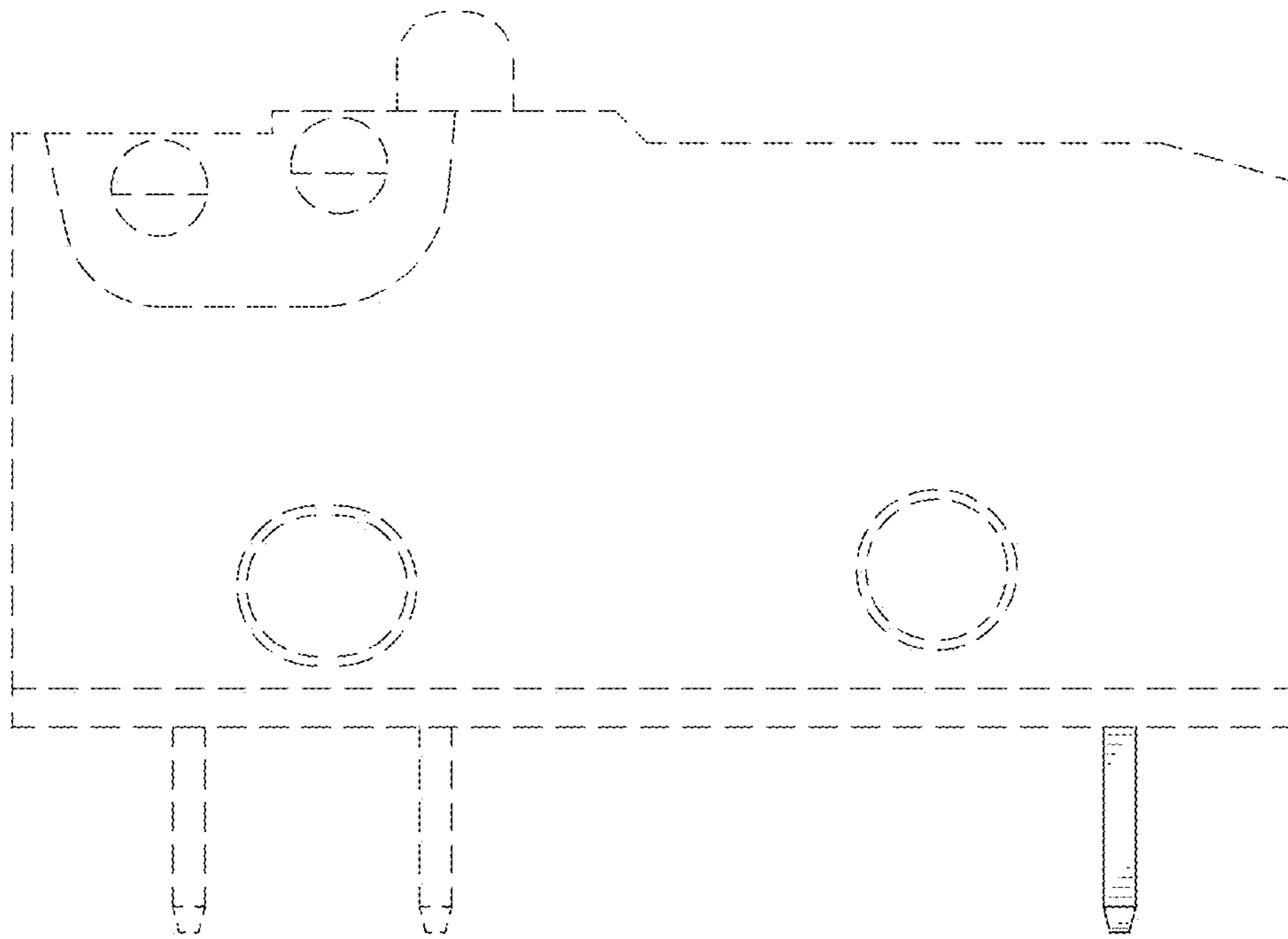


FIG. 2

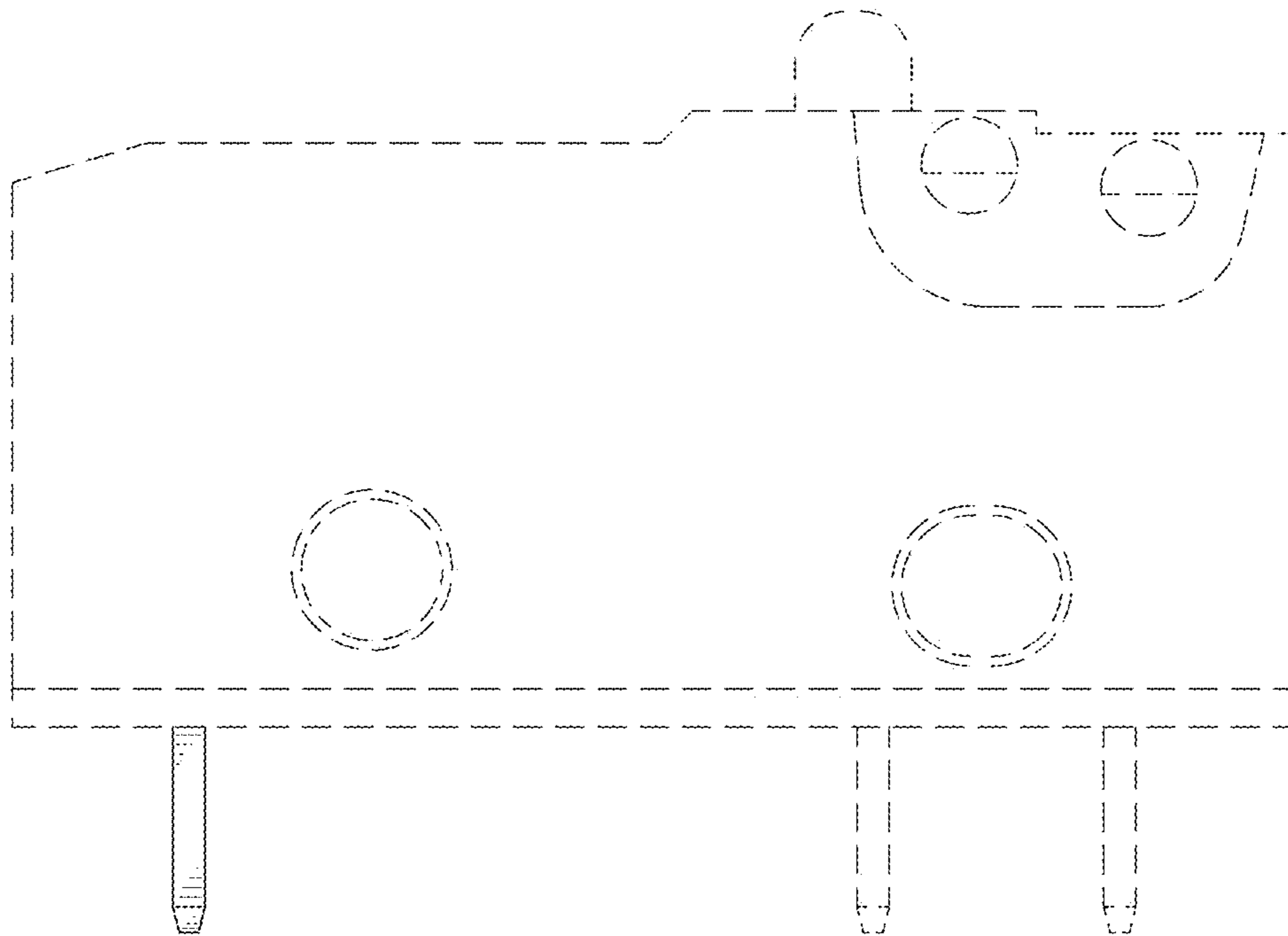


FIG. 3

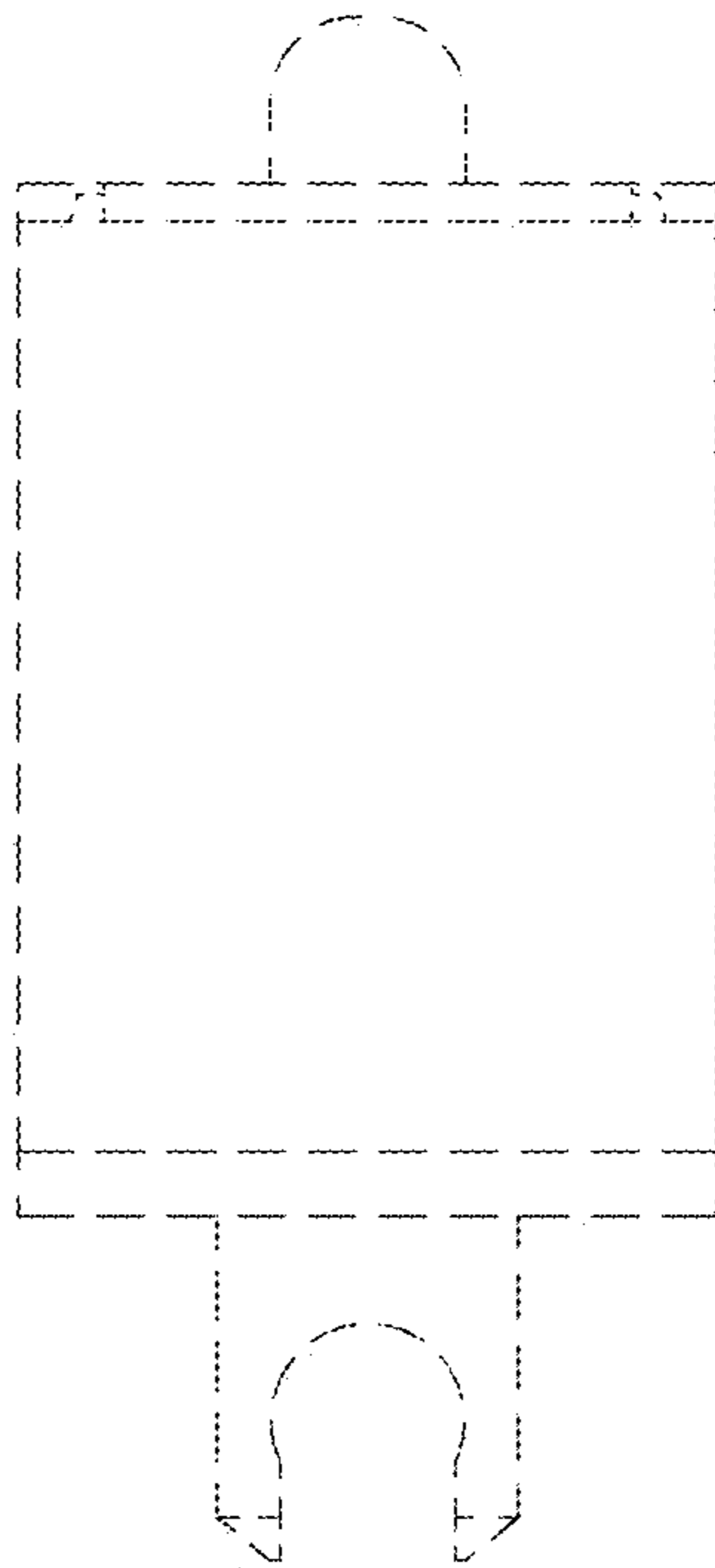


FIG. 4

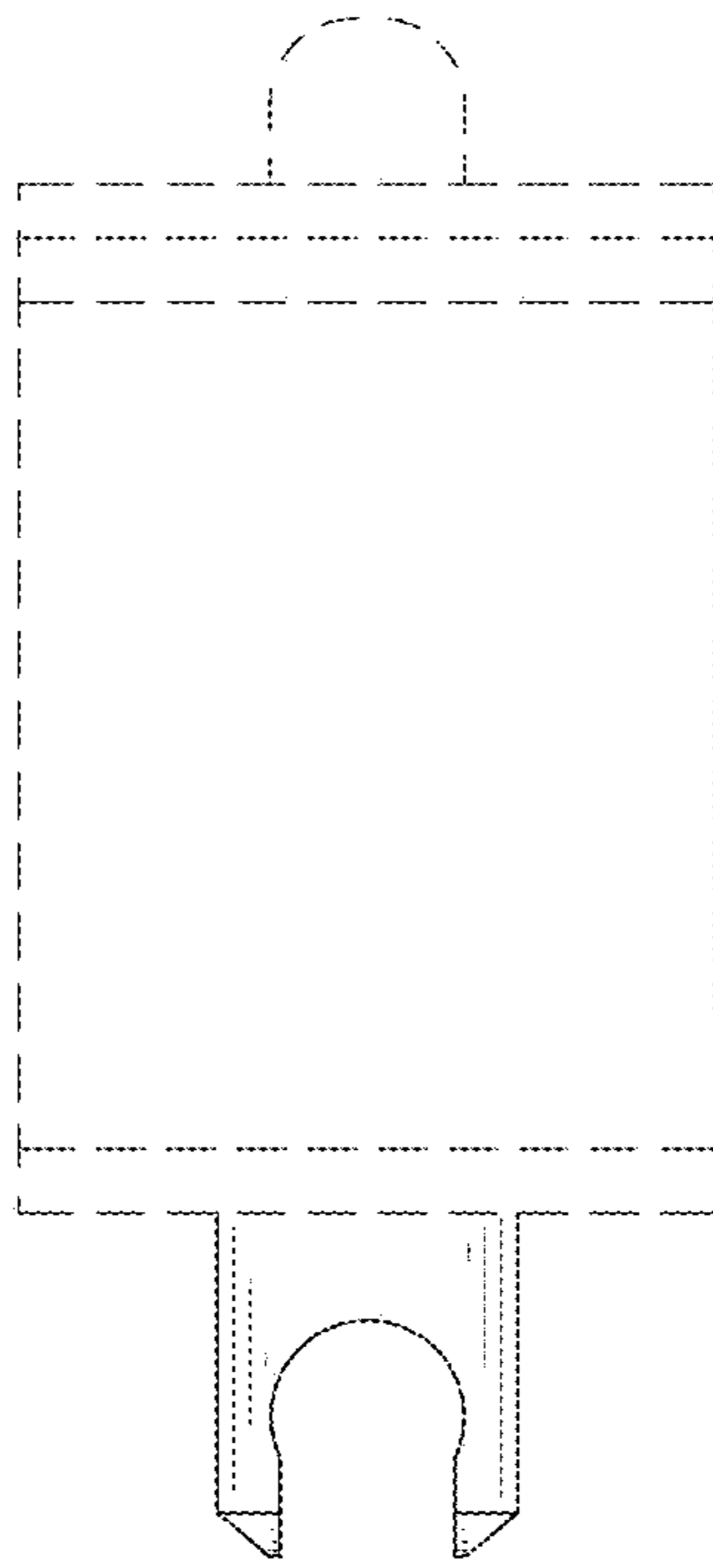


FIG. 5

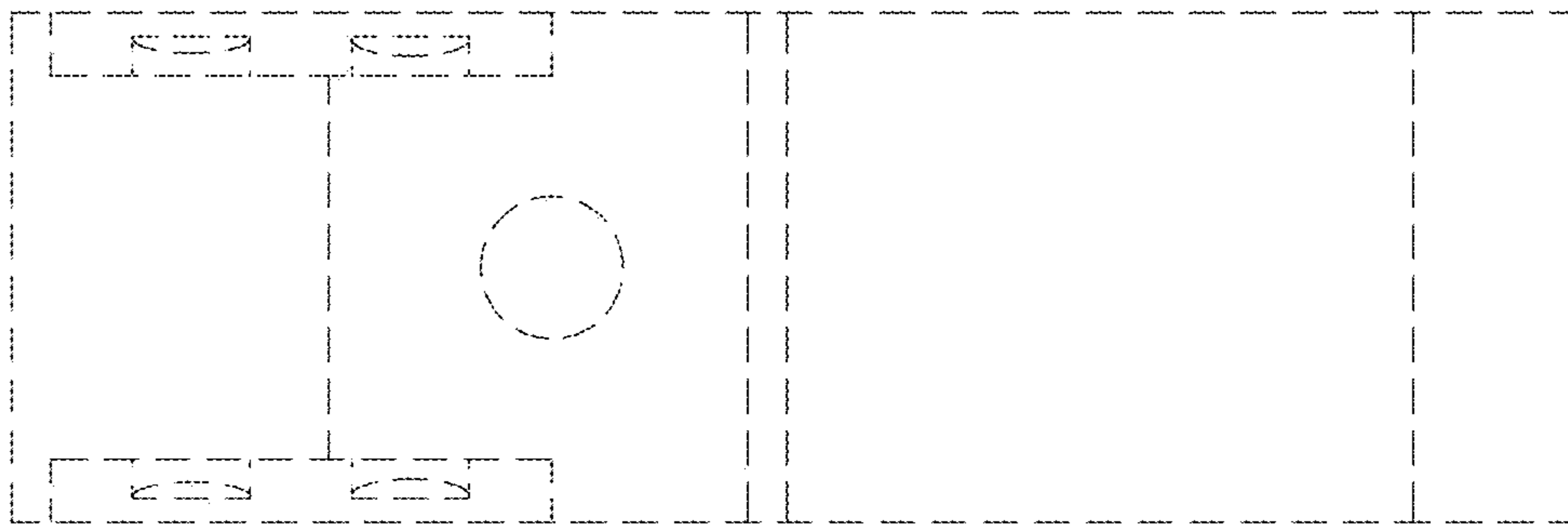


FIG. 6

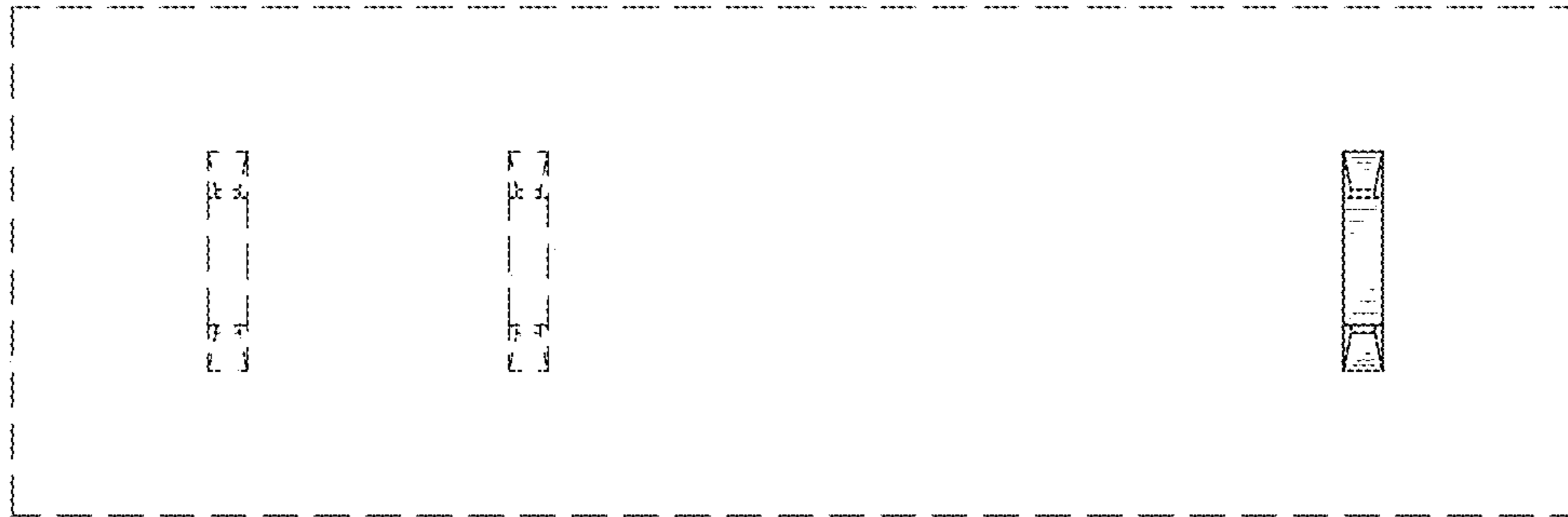


FIG. 7