



US00D884647S

(12) **United States Design Patent** (10) **Patent No.:** **US D884,647 S**  
**Lee et al.** (45) **Date of Patent:** **\*\* May 19, 2020**

(54) **CABLE CONNECTOR**

(71) Applicant: **Samsung Electronics Co., Ltd.**,  
Suwon-si (KR)  
(72) Inventors: **Seung-Ho Lee**, Guri-si (KR);  
**Dong-Wook Kim**, Seoul (KR)  
(73) Assignee: **SAMSUNG ELECTRONICS CO.,**  
**LTD.**, Suwon-si (KR)  
(\*\*) Term: **15 Years**

(21) Appl. No.: **29/655,311**  
(22) Filed: **Jul. 2, 2018**

(30) **Foreign Application Priority Data**

Jan. 5, 2018 (KR) ..... 30-2018-0000855

(51) **LOC (12) Cl.** ..... **13-03**

(52) **U.S. Cl.**  
USPC ..... **D13/147**

(58) **Field of Classification Search**  
USPC ..... D13/103, 107, 108, 110, 112, 118, 120,  
D13/123, 133, 137.1, 145-147, 149-156,  
D13/158, 173, 177, 184, 199, 242;  
D14/240, 242, 433, 434, 435.1, 438;  
D26/129

(Continued)

(56) **References Cited**

**U.S. PATENT DOCUMENTS**

D264,845 S \* 6/1982 Hellwig ..... D14/140  
D479,200 S 9/2003 Liu et al.

(Continued)

**FOREIGN PATENT DOCUMENTS**

EM 001886417-0001 9/2011  
JP 1323595 3/2008

(Continued)

**OTHER PUBLICATIONS**

Amazon. Samsung Electronics VG-SOCN15/ZA Invisible Connection Cable (15m)—(2018). May 13, 2018. <https://www.amazon.com/Samsung-Electronics-VG-SOCN15-ZA-Connection/dp/B07CV2W8PT> (Year: 2018).\*

*Primary Examiner* — Darcey E Gottschalk  
(74) *Attorney, Agent, or Firm* — McAndrews Held & Malloy, Ltd.

(57) **CLAIM**

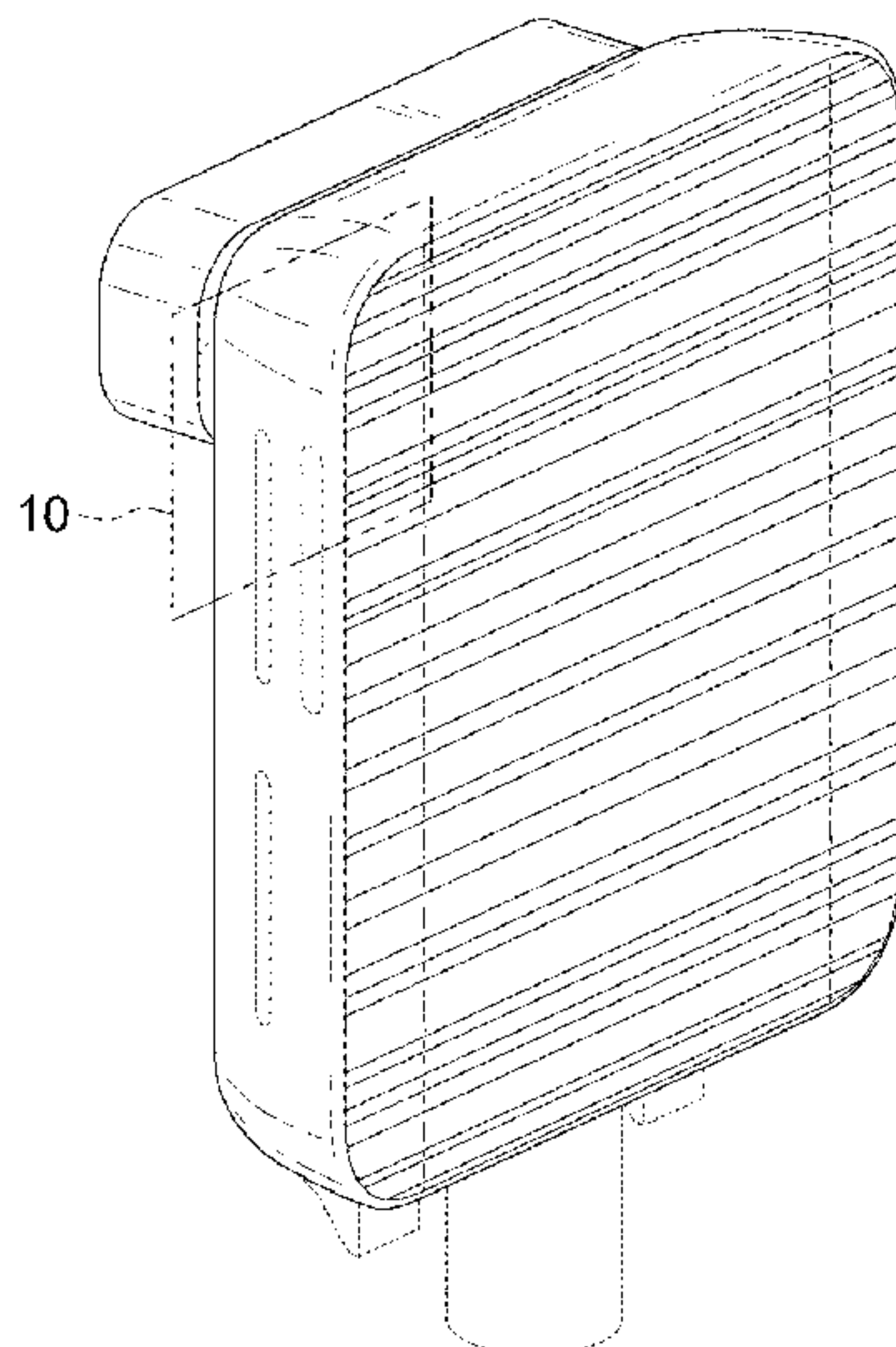
The ornamental design for a cable connector, as shown and described.

**DESCRIPTION**

FIG. 1 is a front perspective view of a cable connector showing our new design;  
FIG. 2 is a front elevation view thereof;  
FIG. 3 is a rear elevation view thereof;  
FIG. 4 is a left side elevation view thereof;  
FIG. 5 is a right side elevation view thereof;  
FIG. 6 is a top plan view thereof;  
FIG. 7 is a bottom plan view thereof;  
FIG. 8 is a rear perspective view thereof;  
FIG. 9 is a partially-exploded rear perspective view thereof;  
and,  
FIG. 10 is an enlarged view of the portion delineated in FIG. 1.

The dashed broken lines in the figures illustrate portions of the cable connector that form no part of the claimed design. The dot-dash broken lines in FIGS. 3, 8, and 9 define the boundary of the claimed design and form no part thereof. The dot-dot-dash broken lines in FIGS. 1 and 10 delineate a portion of the claimed design that is illustrated in an enlarged view and form no part of the claimed design.

**1 Claim, 10 Drawing Sheets**



(58) **Field of Classification Search**

CPC ..... H01R 13/28  
See application file for complete search history.

(56) **References Cited**

U.S. PATENT DOCUMENTS

D821,971 S \* 7/2018 Yang ..... D13/107  
D865,678 S \* 11/2019 Shimada ..... H01R 13/28  
D13/147

FOREIGN PATENT DOCUMENTS

JP 1366363 8/2009  
KR 300434131 12/2006

\* cited by examiner

FIG. 1

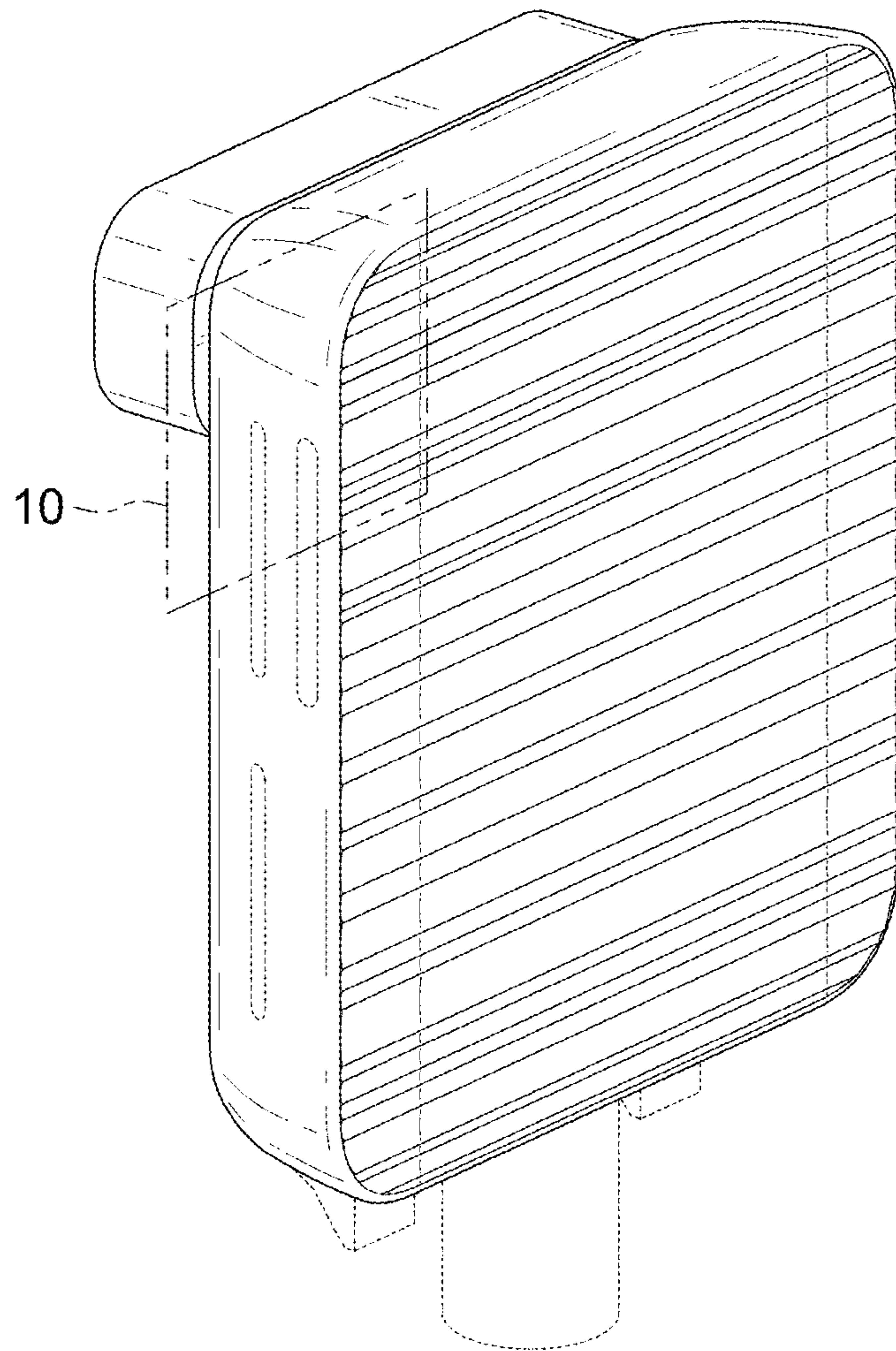


FIG. 2

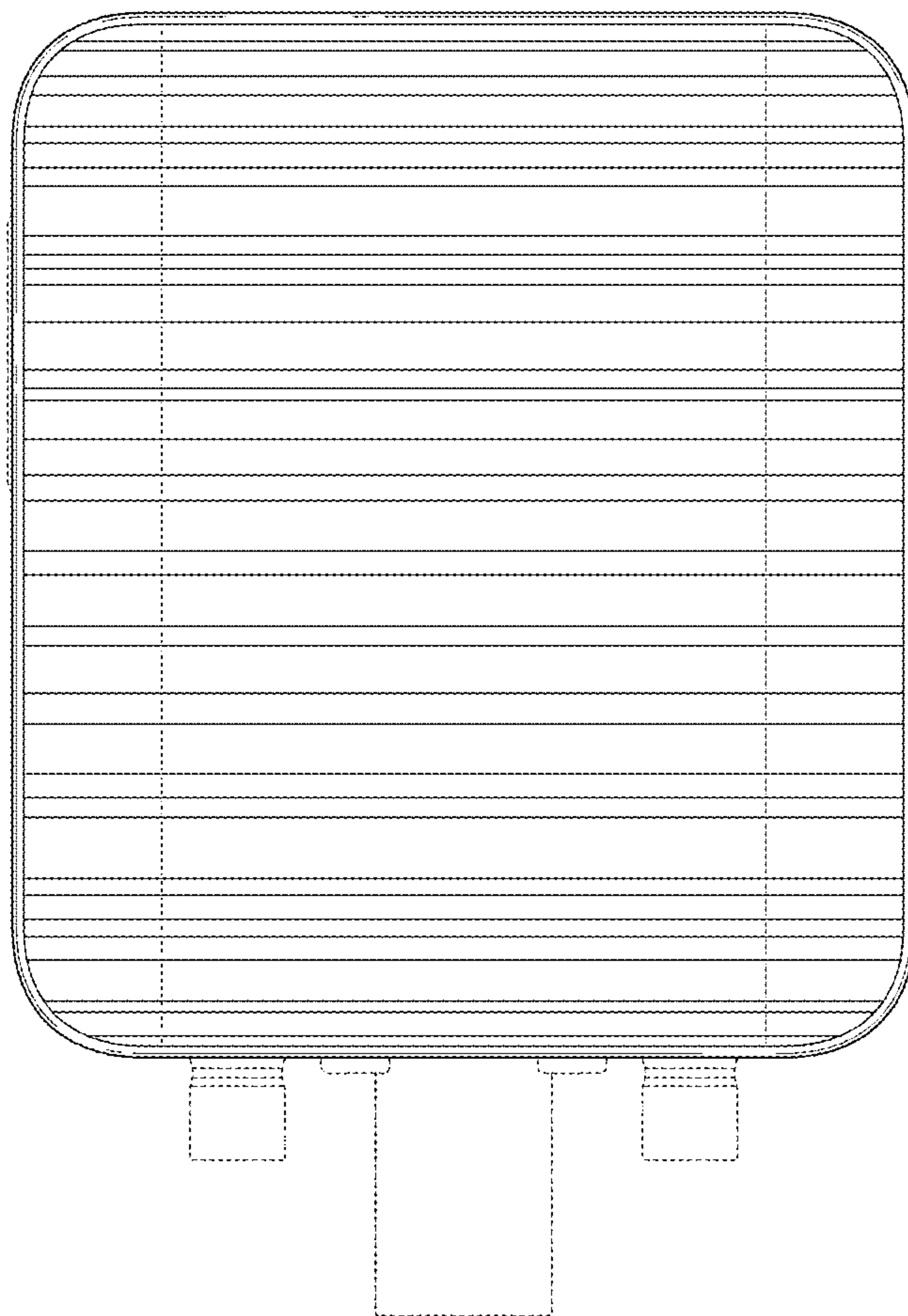


FIG. 3

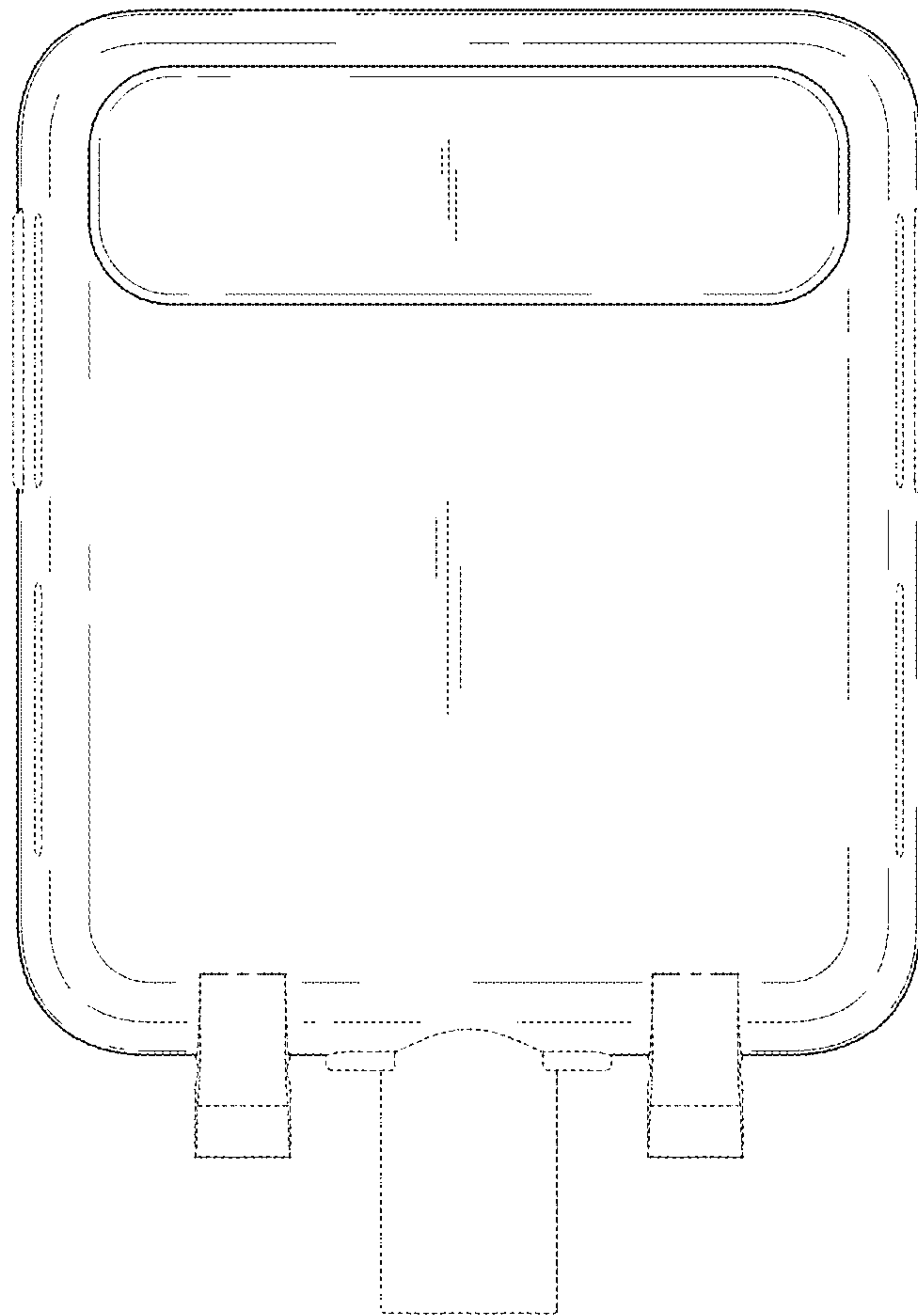


FIG. 4

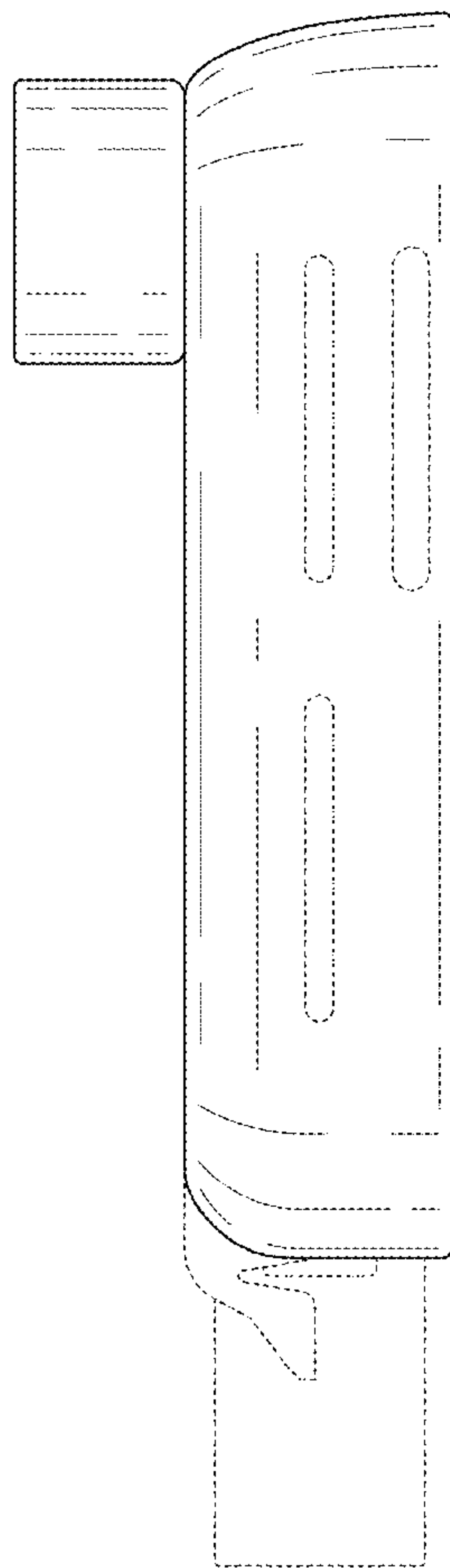


FIG. 5

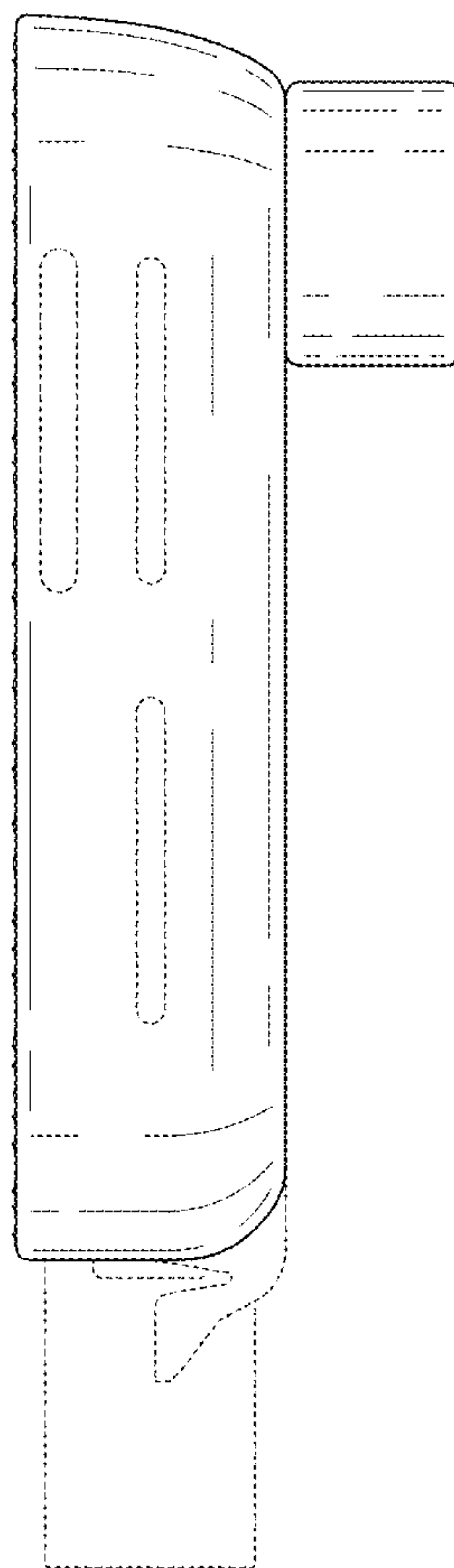


FIG. 6

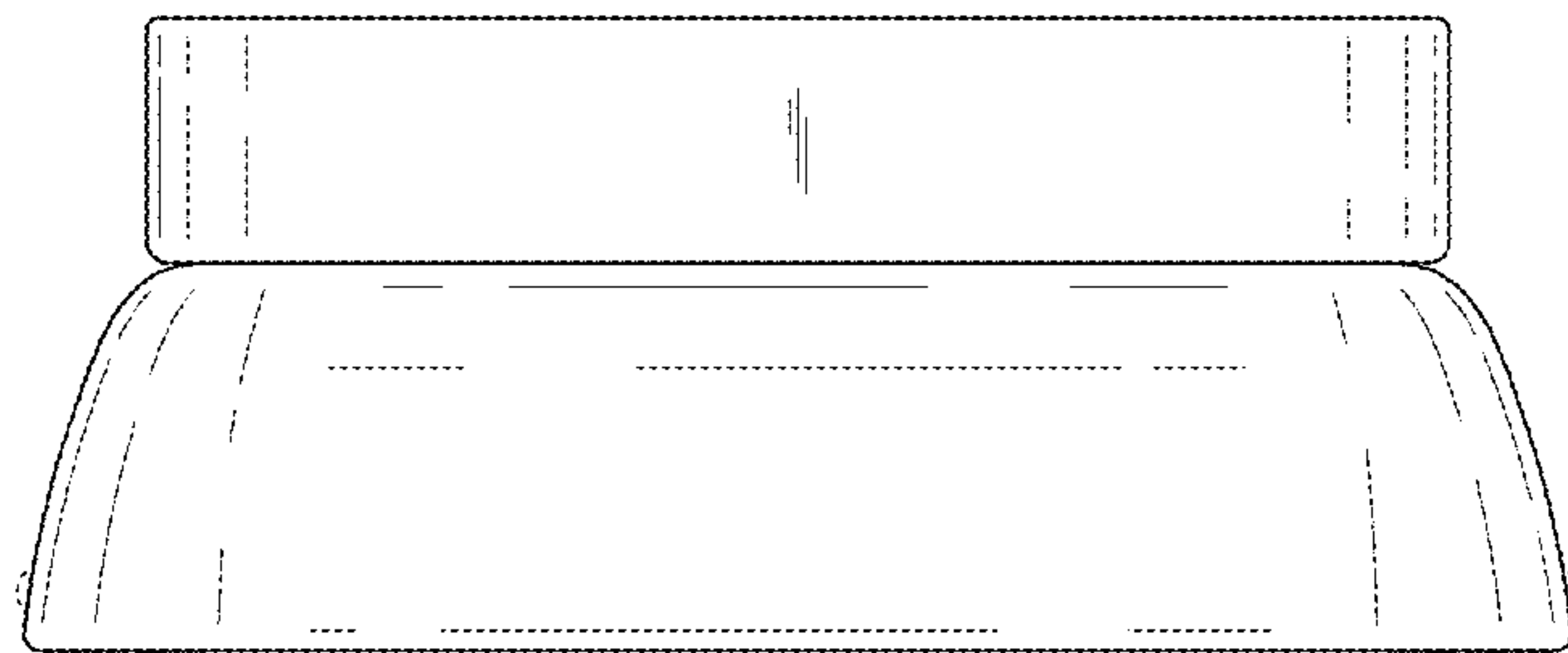




FIG. 7

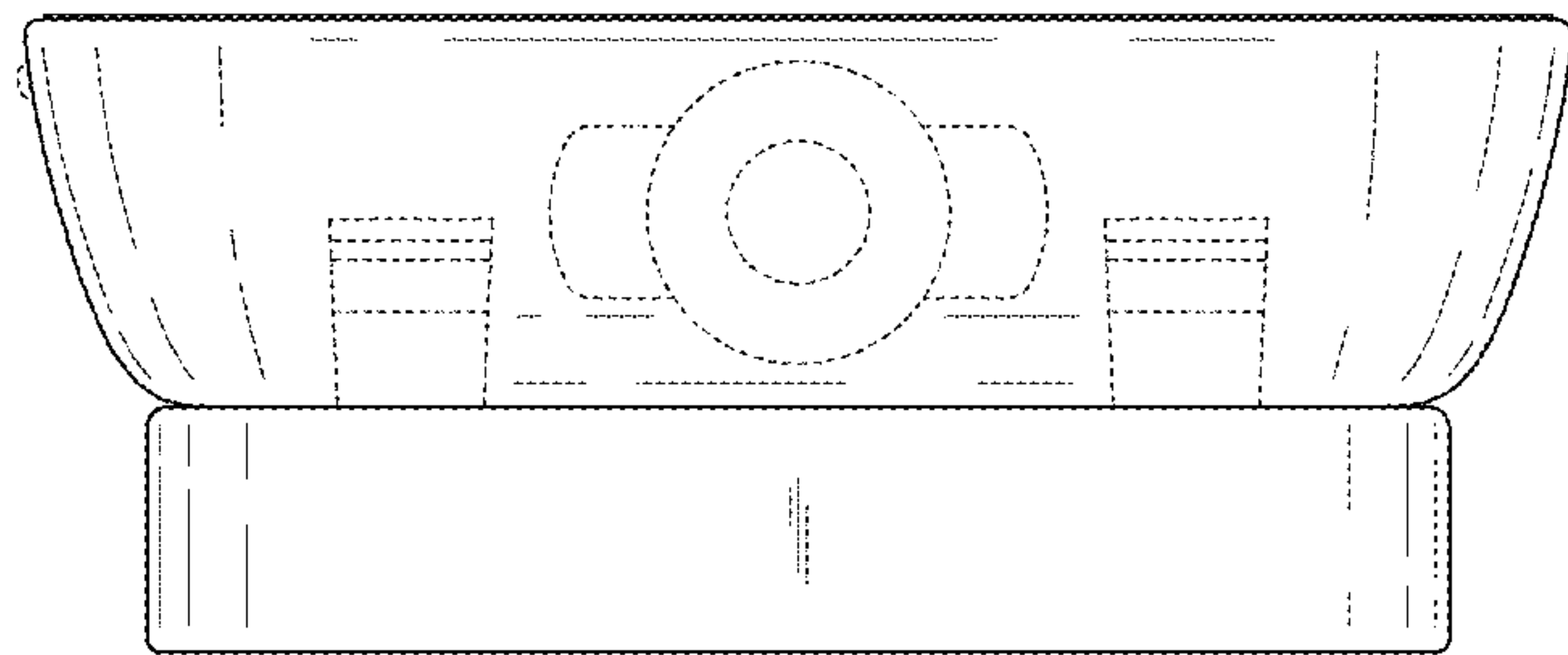


FIG. 8

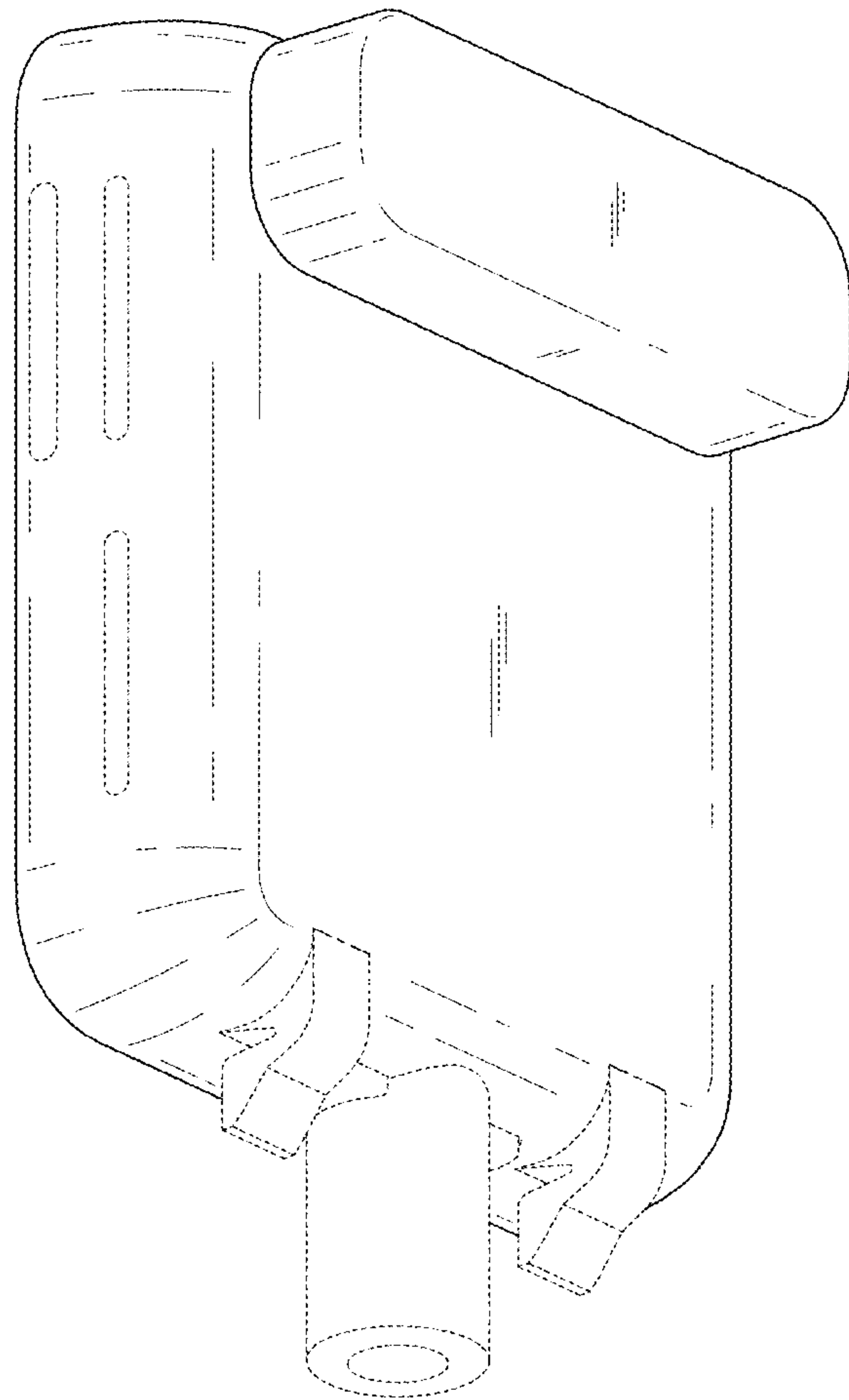


FIG. 9

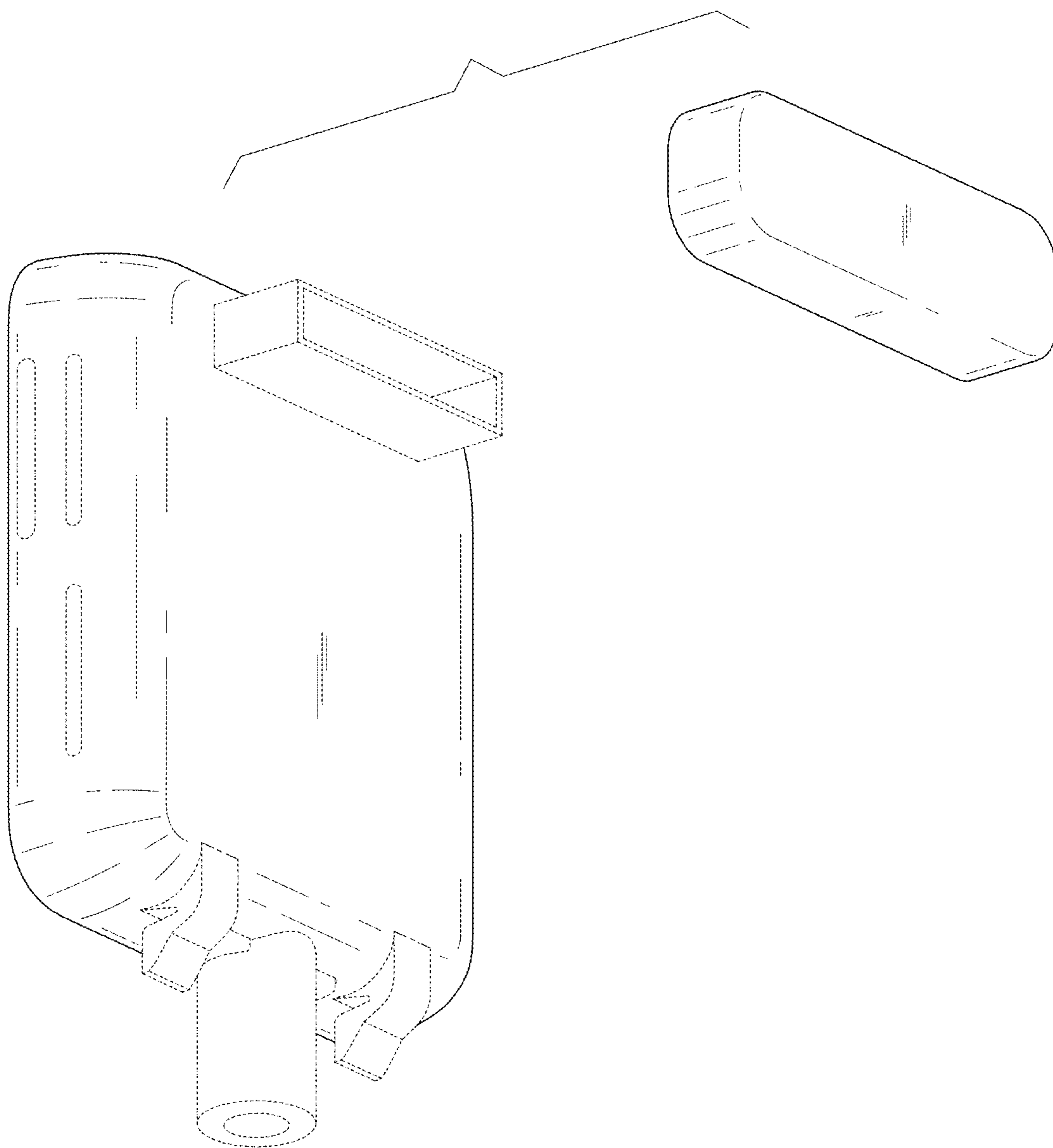


FIG. 10

