



US00D884646S

(12) **United States Design Patent**
Das et al.

(10) **Patent No.:** **US D884,646 S**

(45) **Date of Patent:** **** May 19, 2020**

(54) **BUS BAR ASSEMBLY**

(71) Applicant: **Transportation IP Holdings, LLC,**
Norwalk, CT (US)

(72) Inventors: **Subhas Chandra Das,** Bangalore (IN);
Sarit Ratadiya, Bangalore (IN);
Shreenath Shekar Perlaguri,
Bangalore (IN)

(73) Assignee: **Transportation IP Holdings, LLC,**
Norwalk, CT (US)

(**) Term: **15 Years**

(21) Appl. No.: **29/649,331**

(22) Filed: **May 29, 2018**

(51) **LOC (12) Cl.** **13-03**

(52) **U.S. Cl.**
USPC **D13/147**

(58) **Field of Classification Search**
USPC D13/133, 146, 147, 123, 137.1–139.8,
D13/154
CPC H02M 7/003; H02K 11/044; H02K 11/33;
H02K 11/0094
See application file for complete search history.

(56) **References Cited**

U.S. PATENT DOCUMENTS

D743,898 S * 11/2015 Murphy D13/147
D760,655 S * 7/2016 Murphy D13/147

D760,658 S * 7/2016 Perlaguri D13/147
D760,662 S * 7/2016 Murphy D13/147
D783,540 S * 4/2017 Murphy D13/147
D784,265 S * 4/2017 Perlaguri D13/147
D784,932 S * 4/2017 Murphy D13/147
D806,039 S * 12/2017 Perlaguri D13/147
D827,582 S * 9/2018 Murphy D13/147
D834,530 S * 11/2018 Perlaguri D13/154
D848,955 S * 5/2019 Perlaguri D13/154
2016/0308455 A1 * 10/2016 Ratadiya H02M 7/003

* cited by examiner

Primary Examiner — Bridget L Eland

(74) *Attorney, Agent, or Firm* — McCoy Russell LLP

(57) **CLAIM**

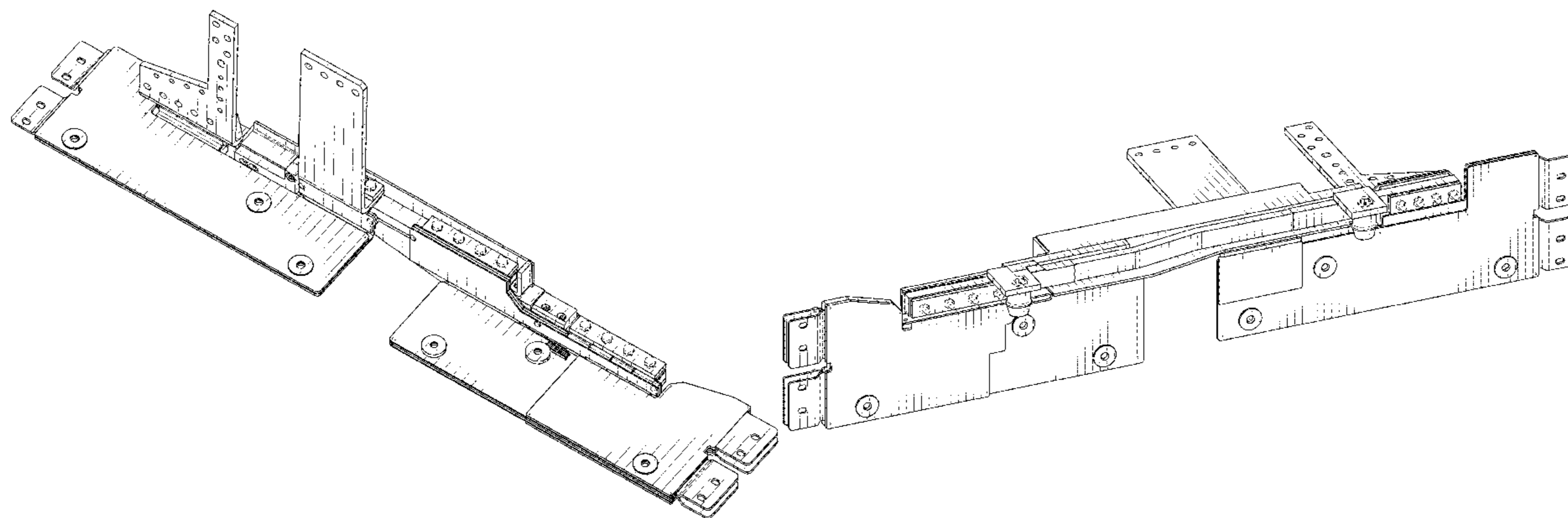
The ornamental design for a bus bar assembly, as shown and described.

DESCRIPTION

FIG. 1 is a perspective view of a bus bar assembly showing our new design;
FIG. 2 is a second perspective view thereof;
FIG. 3 is a front view thereof;
FIG. 4 is a rear view thereof;
FIG. 5 is a left view thereof;
FIG. 6 is a right view thereof;
FIG. 7 is a top view of the front thereof; and,
FIG. 8 is a bottom view thereof.

The broken lines are directed to environment and are for illustrative purposes only; the broken lines form no part of the claimed design.

1 Claim, 6 Drawing Sheets



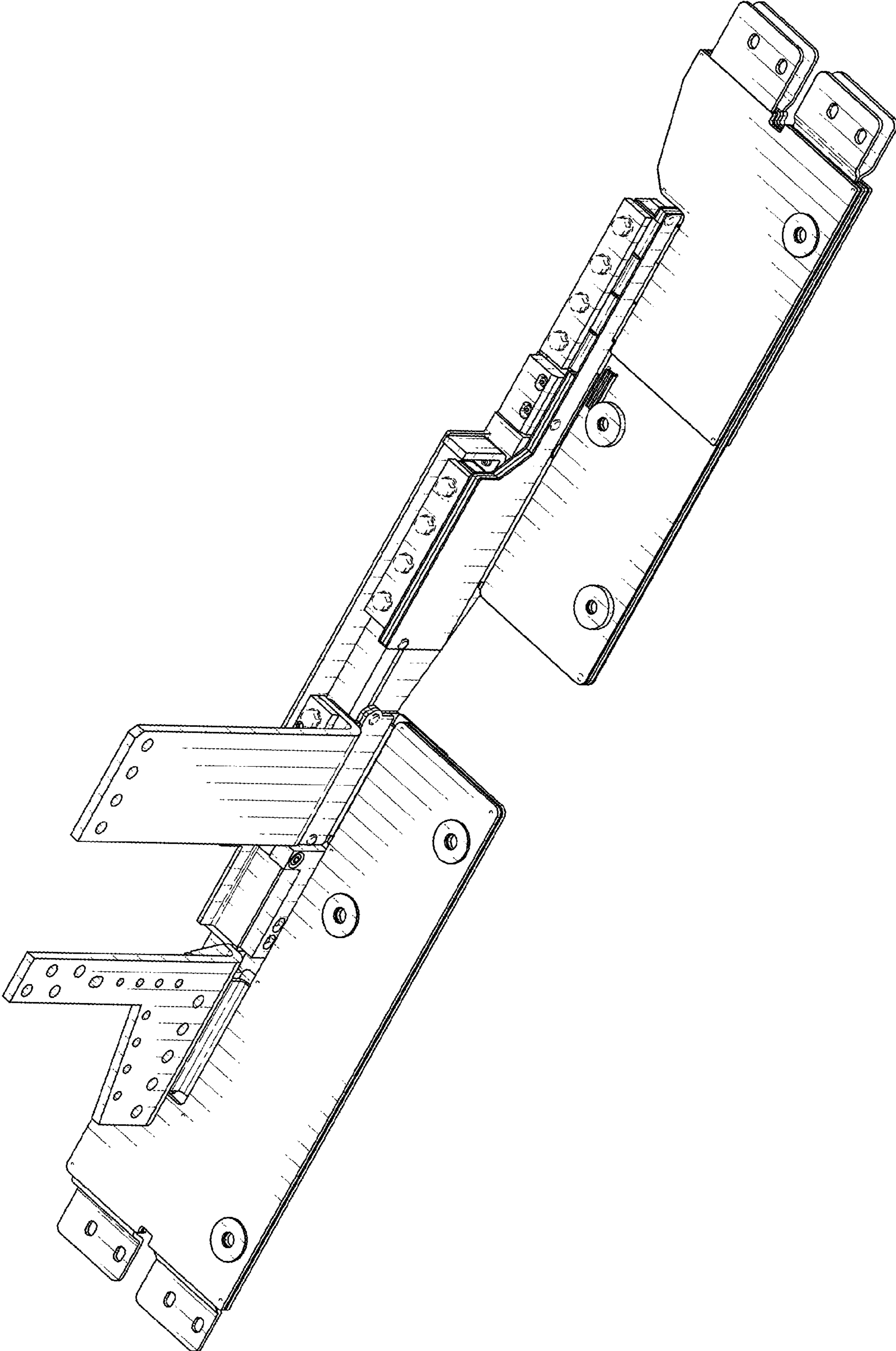


FIG. 1

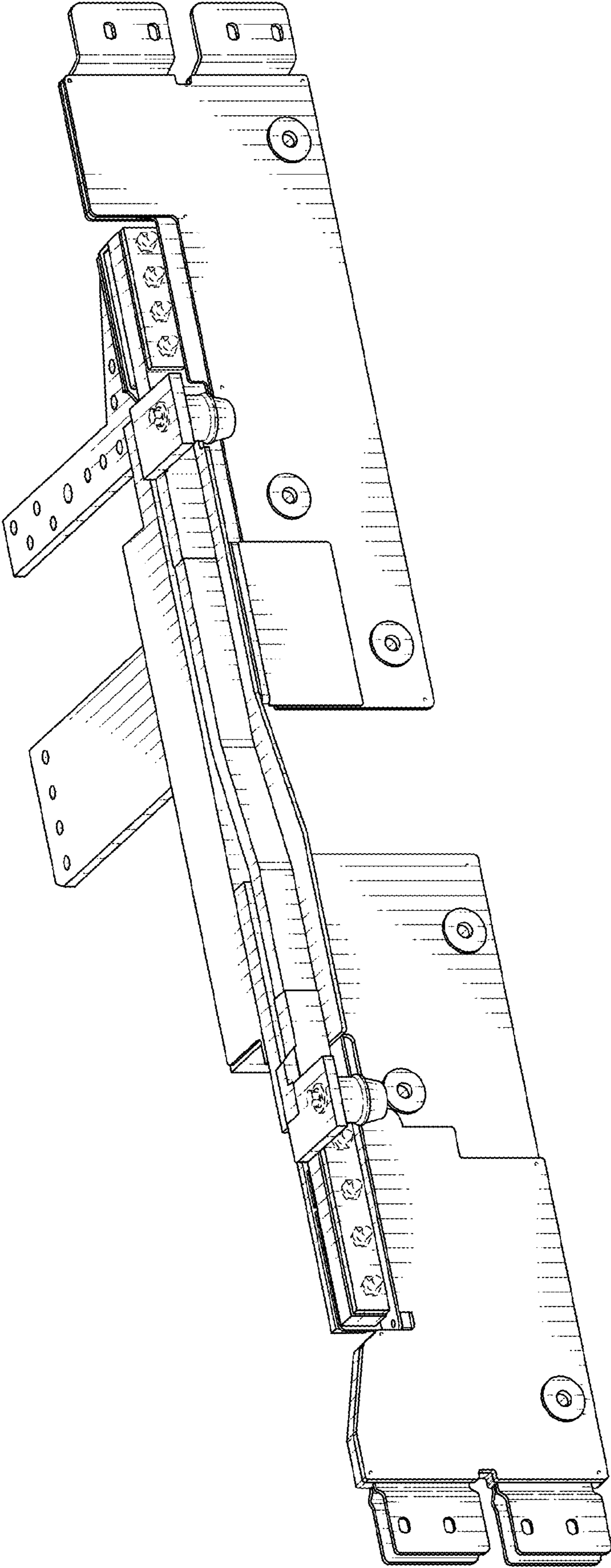


FIG. 2

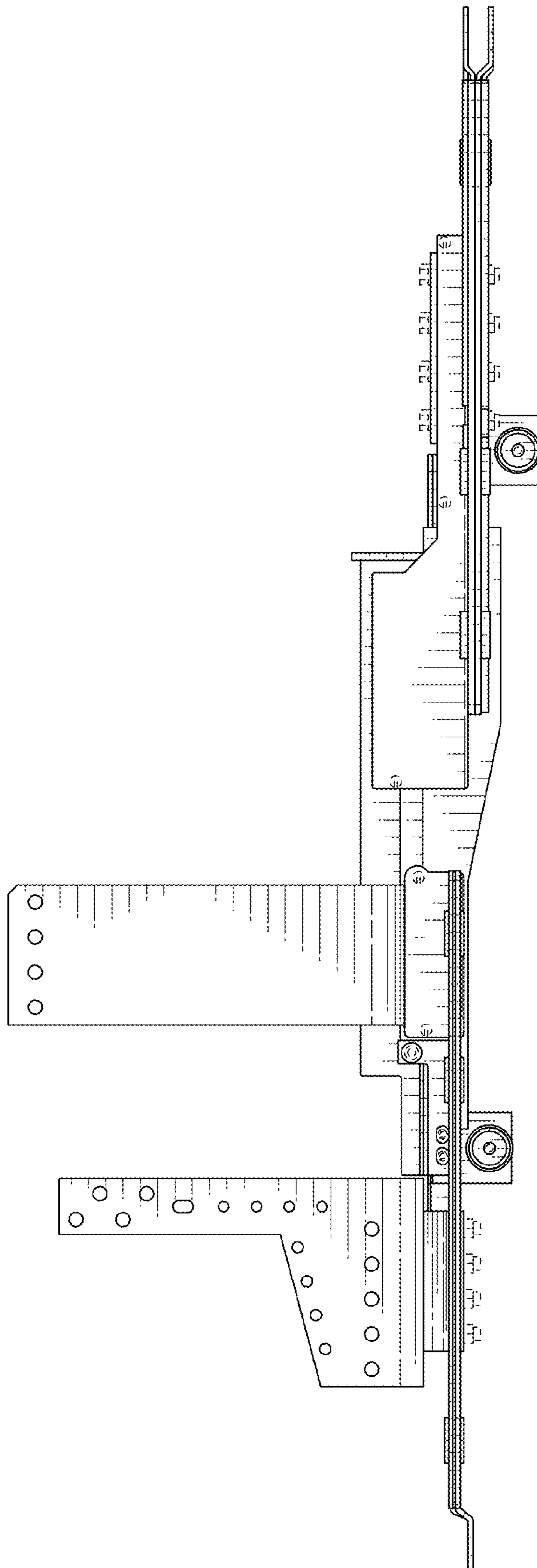


FIG. 3

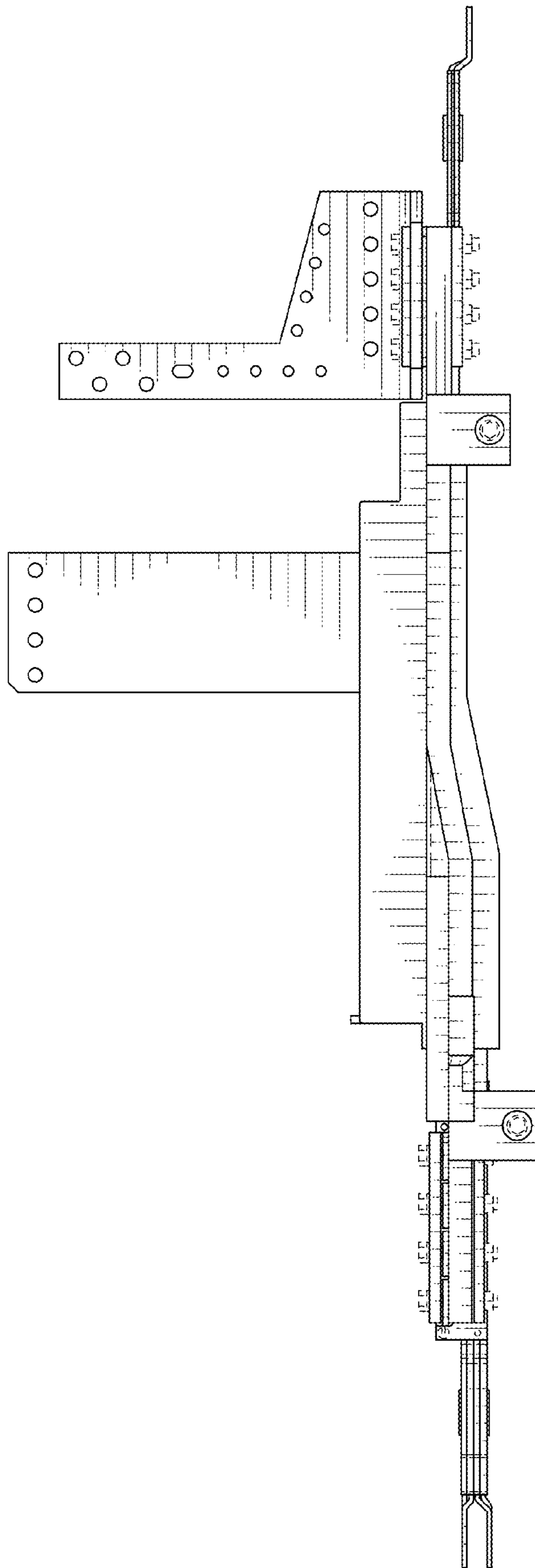


FIG. 4

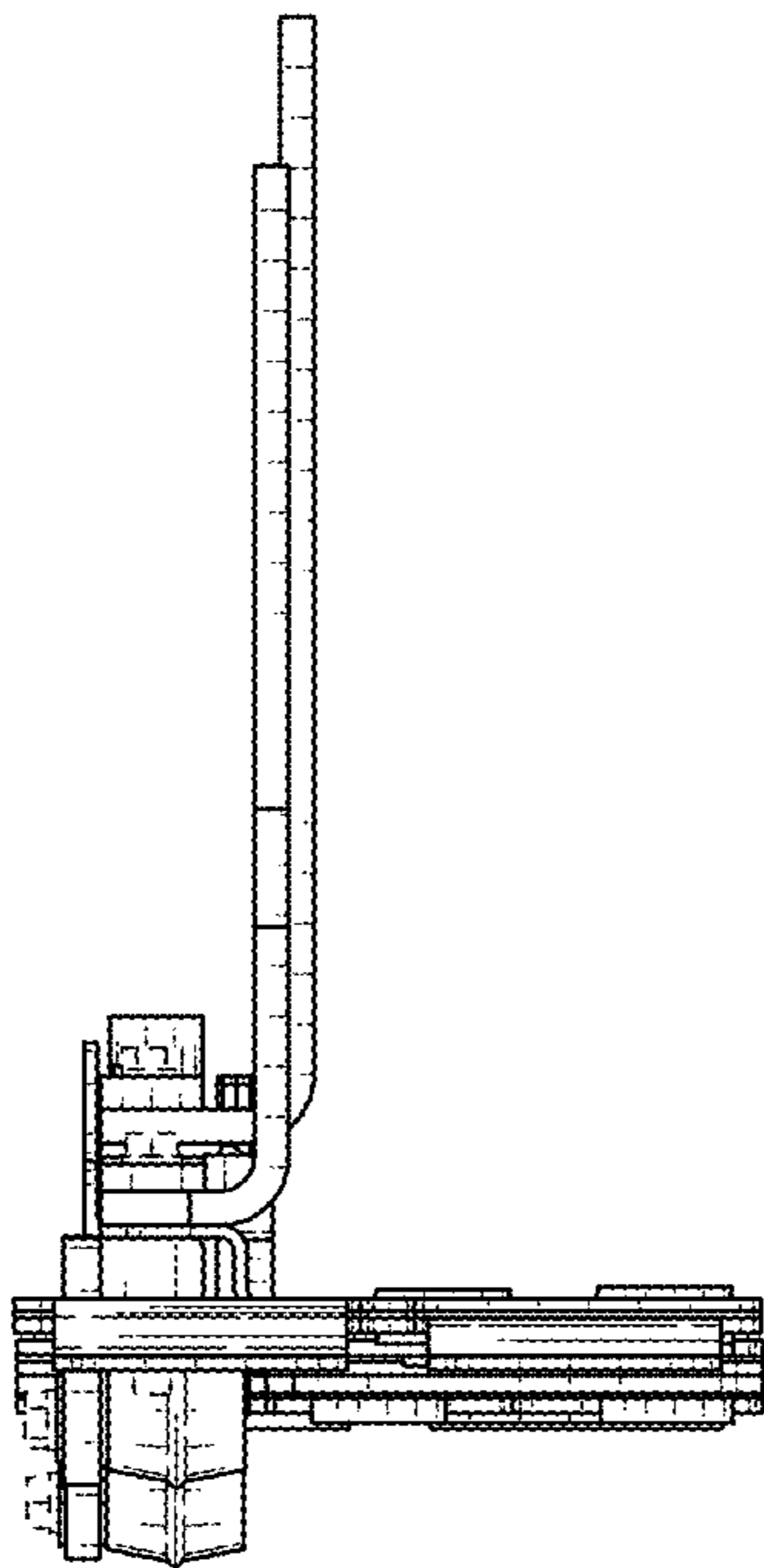


FIG. 5

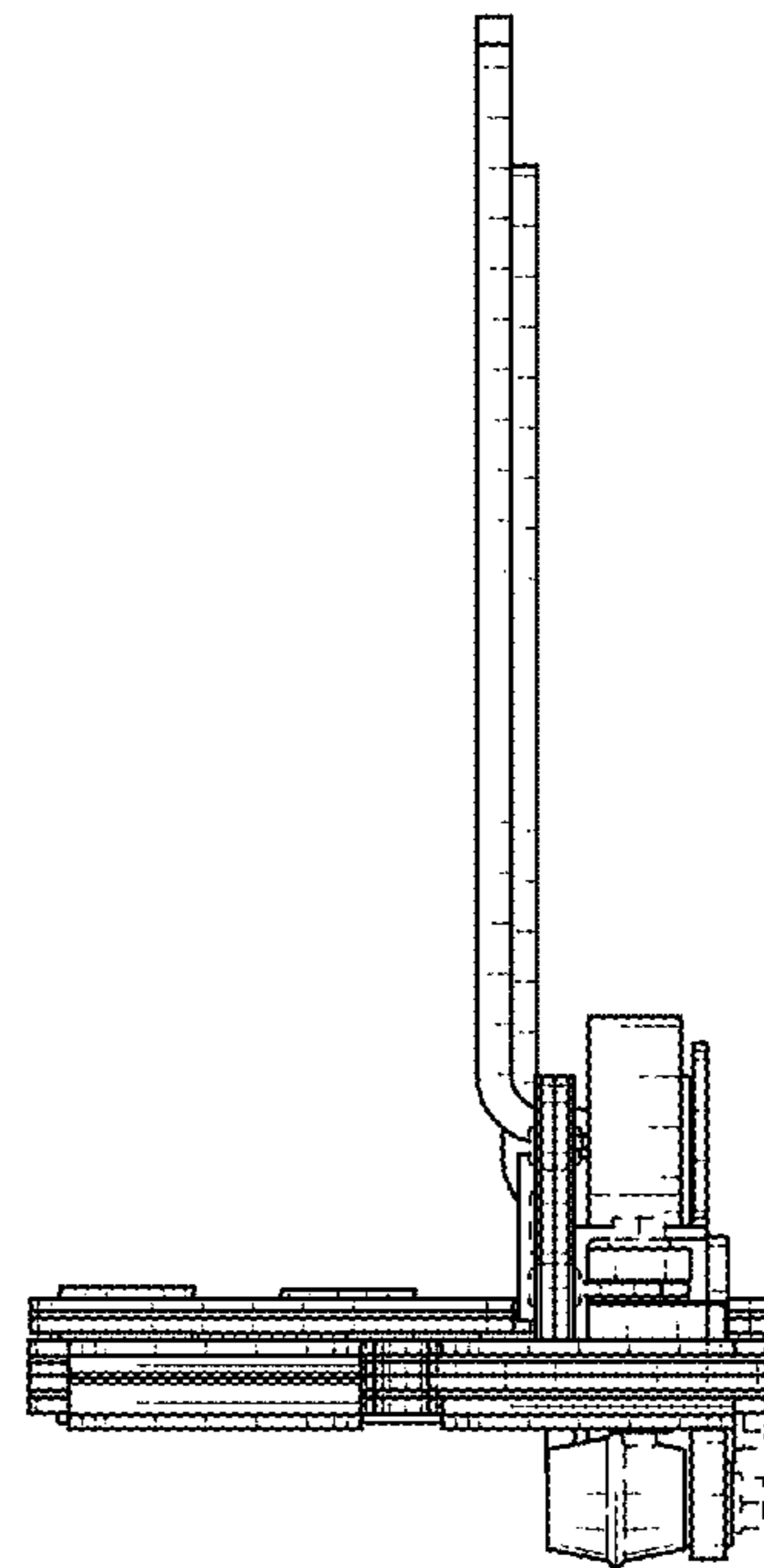


FIG. 6

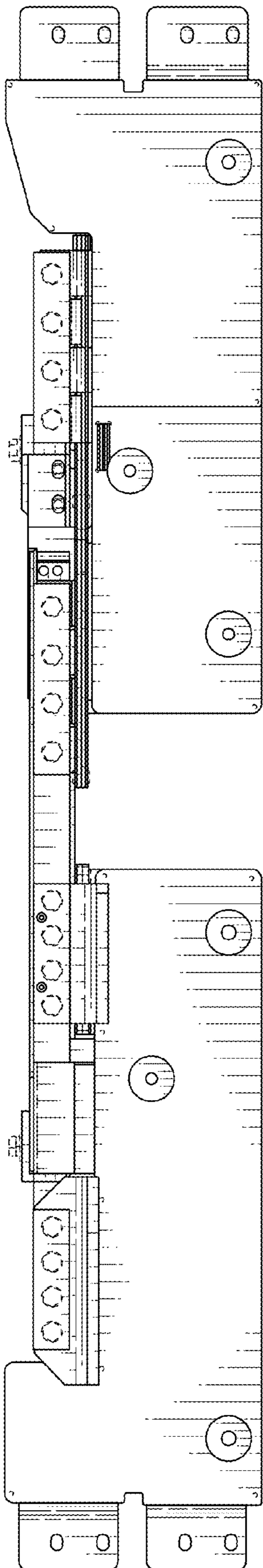


FIG. 7

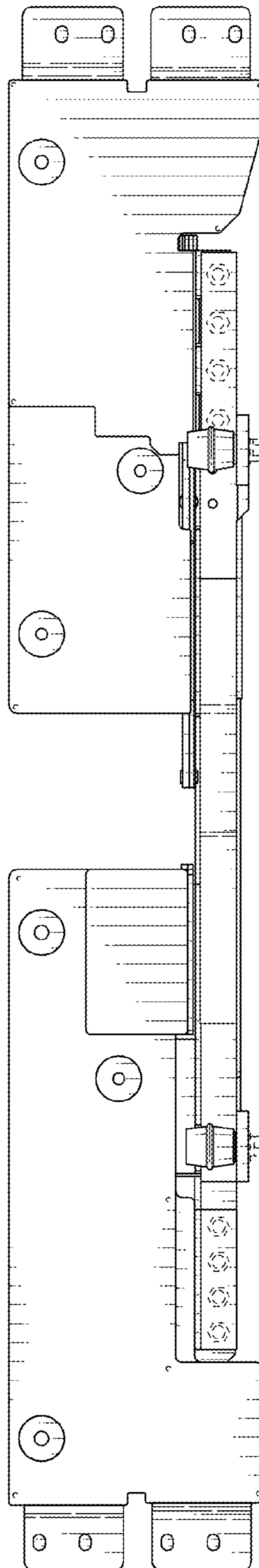


FIG. 8