



US00D884643S

(12) **United States Design Patent**
Kadam et al.

(10) **Patent No.:** **US D884,643 S**

(45) **Date of Patent:** **** May 19, 2020**

(54) **RECEPTACLE**

(71) Applicant: **EATON INTELLIGENT POWER LIMITED**, Dublin (IE)

(72) Inventors: **Nilesh Ankush Kadam**, Pune (IN);
Sushant Dilip Raut, Pune (IN);
Saivaraprasad Murahari, Peachtree City, GA (US)

(73) Assignee: **EATON INTELLIGENT POWER LIMITED**, Dublin (IE)

(**) Term: **15 Years**

(21) Appl. No.: **29/654,193**

(22) Filed: **Jun. 21, 2018**

(51) **LOC (12) Cl.** **13-03**

(52) **U.S. Cl.**
USPC **D13/139.1**

(58) **Field of Classification Search**
USPC D13/107, 108, 110, 123, 133,
D13/137.1-137.4, 138.1-138.2,
D13/139.1-139.8, 152, 154, 184
CPC H01R 11/00; H01R 9/00; H01R 13/00;
H01R 13/04; H01R 13/10; H01R
13/6666; H01R 13/6675; H01R 25/00;
H01R 25/006; H01H 2207/00; H01H
2207/022
See application file for complete search history.

(56) **References Cited**

U.S. PATENT DOCUMENTS

D269,341 S *	6/1983	Doyle	D13/139.3
D269,342 S *	6/1983	Doyle	D13/139.3
D269,427 S *	6/1983	Doyle	D13/139.3
D269,430 S *	6/1983	Doyle	D13/139.3
D269,509 S *	6/1983	Doyle	D13/139.3
D269,510 S *	6/1983	Doyle	D13/139.3
D269,969 S *	8/1983	Doyle	D13/139.3

D430,539 S *	9/2000	Leopold	D13/139.3
D545,272 S *	6/2007	Zhang	D13/139.3
D558,676 S *	1/2008	Fort	D13/139.3
D571,729 S *	6/2008	Kidman	D13/139.3
D601,962 S *	10/2009	Song	D13/139.6
8,193,445 B2 *	6/2012	Li	H01R 13/4534 174/50
D662,885 S *	7/2012	Hoffman	D13/139.1
D686,577 S *	7/2013	Flagello	D13/152
D692,385 S *	10/2013	Dodal	D13/139.1
D702,640 S *	4/2014	Restrepo	D13/139.1
D703,139 S *	4/2014	Dodal	D13/139.1
D705,734 S *	5/2014	Dodal	D13/139.1
D719,511 S *	12/2014	Dodal	D13/139.1
D719,512 S *	12/2014	Roy	D13/139.6
D722,562 S *	2/2015	Restrepo	D13/139.1
D731,432 S *	6/2015	Murphy	D13/139.1
D732,719 S *	6/2015	Mozdzer	D13/139.1

(Continued)

Primary Examiner — Rosemary K Tarcza

Assistant Examiner — Christy M Nemeth

(74) *Attorney, Agent, or Firm* — Eckert Seamans Cherin & Mellott, LLC

(57) **CLAIM**

The ornamental design for a receptacle, as shown and described.

DESCRIPTION

FIG. 1 is a top-front-right side perspective view of a receptacle;

FIG. 2 is a front elevational view thereof;

FIG. 3 is a rear elevational view thereof;

FIG. 4 is a left side elevational view thereof;

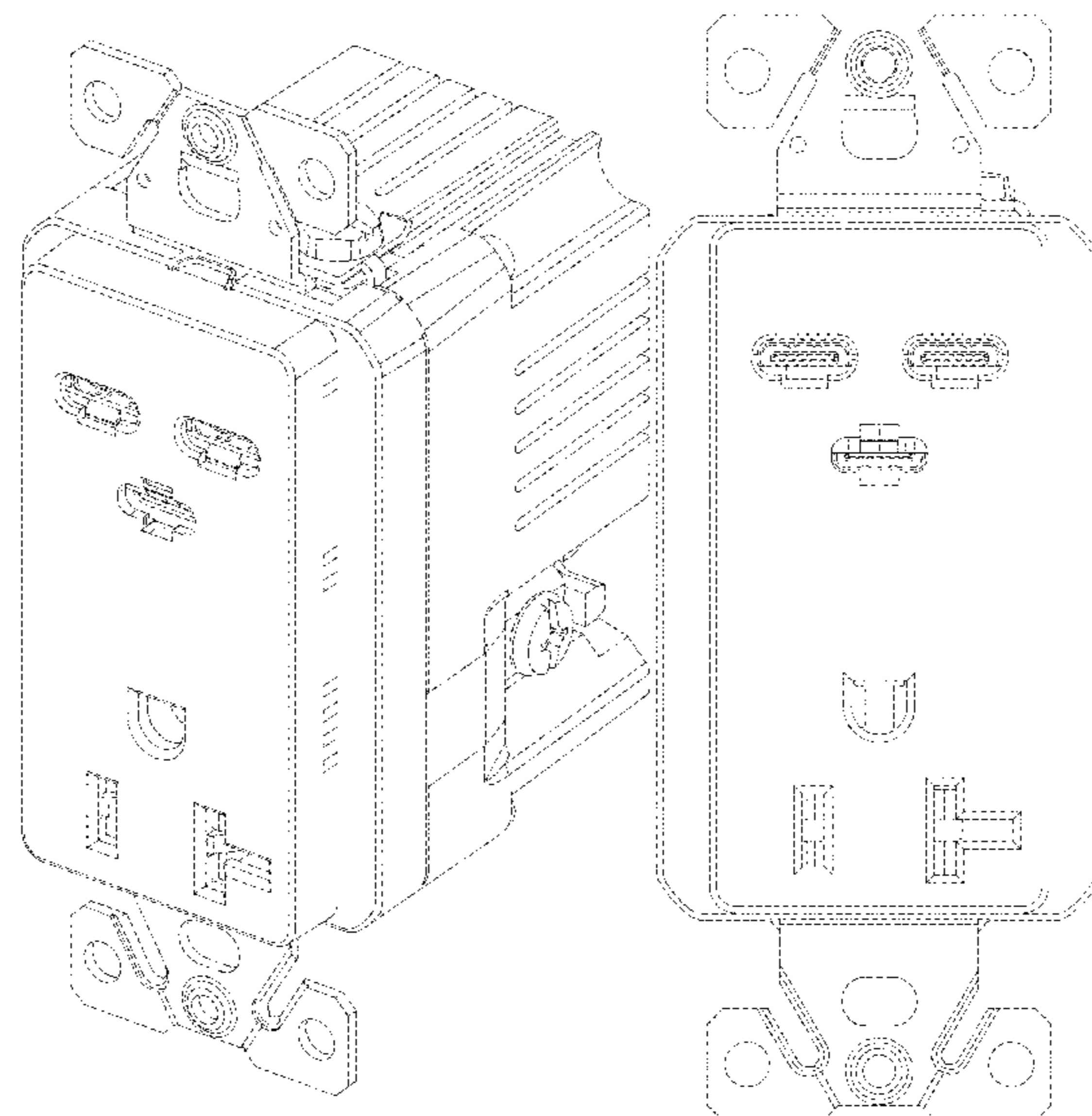
FIG. 5 is a right side elevational view thereof;

FIG. 6 is a top plan view thereof; and,

FIG. 7 is a bottom plan view thereof.

The dot-dash broken lines are for the purpose of illustrating a boundary. The dash-dash broken lines are for the purpose of illustrating environment subject matter. None of the broken lines form part of the claim.

1 Claim, 7 Drawing Sheets



(56)

References Cited

U.S. PATENT DOCUMENTS

9,048,559 B2 * 6/2015 Huang H01R 13/4534
D744,952 S * 12/2015 Ni D13/139.3
D754,074 S * 4/2016 DeCosta D13/139.3
9,496,726 B2 * 11/2016 Frid H02J 7/0021
9,520,671 B2 * 12/2016 Misener H01R 13/506
D778,238 S * 2/2017 Gouhl D13/137.3
D794,575 S * 8/2017 Mortun D13/139.1
D800,662 S * 10/2017 Wu D13/137.1
9,786,460 B2 * 10/2017 Simonin H01R 13/7135
9,859,670 B1 * 1/2018 Liao H01R 27/00
D813,818 S * 3/2018 Ni D13/137.2
D817,281 S * 5/2018 Salas D13/137.2
D817,884 S * 5/2018 Salas D13/137.2
D817,885 S * 5/2018 Salas D13/137.2
D820,211 S * 6/2018 Salas D13/137.2
10,014,639 B1 * 7/2018 Satyanarayanan ... H01R 25/006
D825,469 S * 8/2018 Pan D13/139.1
D826,161 S * 8/2018 Zhuang D13/139.3
D839,830 S * 2/2019 Weeks D13/139.6
D840,346 S * 2/2019 Weeks D13/139.3
D840,348 S * 2/2019 Weeks D13/139.6
D840,349 S * 2/2019 Weeks D13/139.6
D845,245 S * 4/2019 Tao D13/139.3
2019/0027876 A1 * 1/2019 Murahari H01R 27/00

* cited by examiner

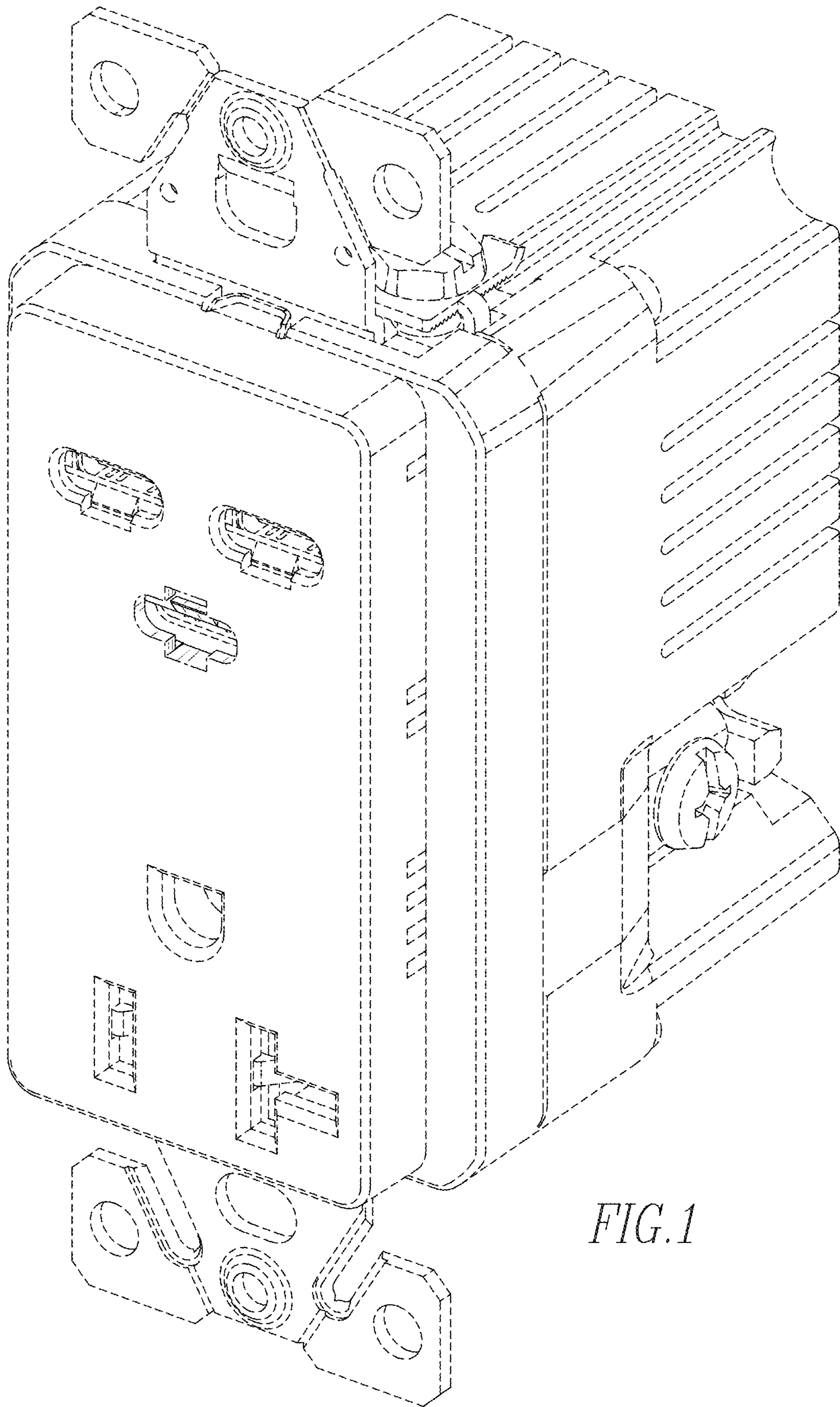


FIG. 1

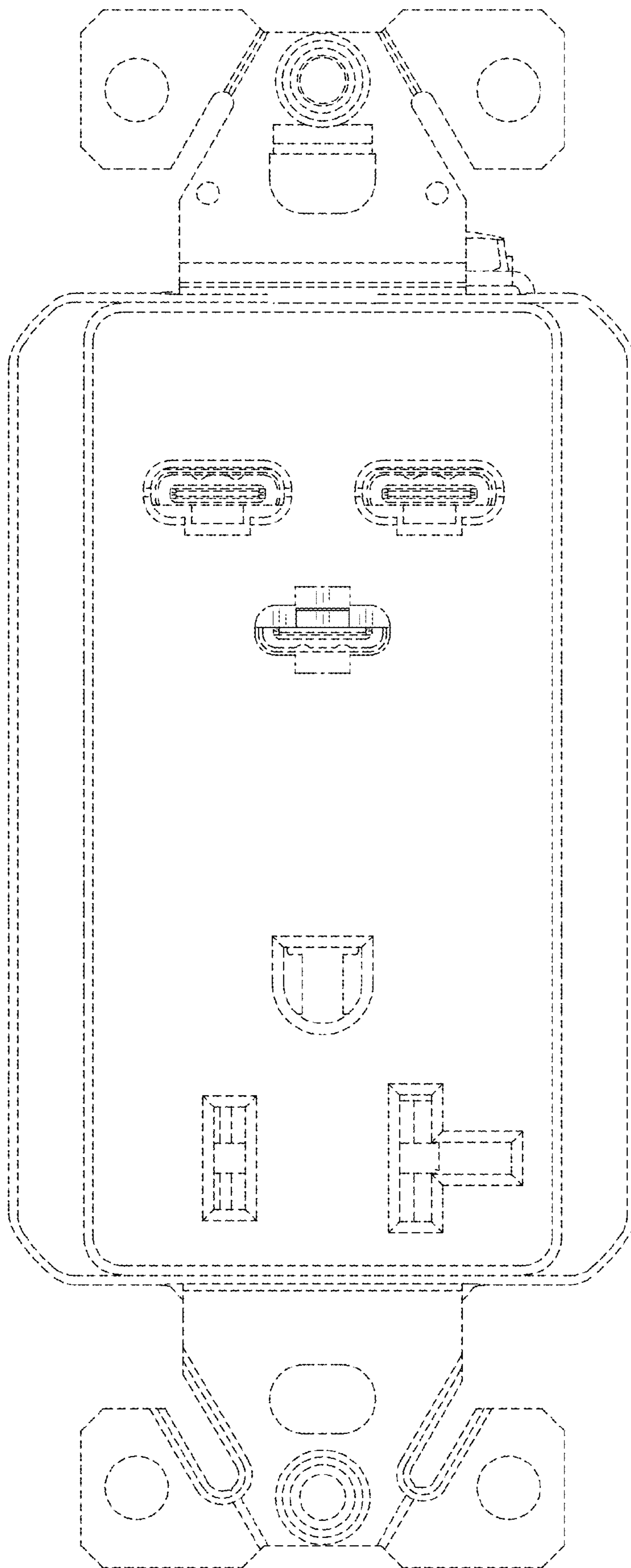


FIG. 2

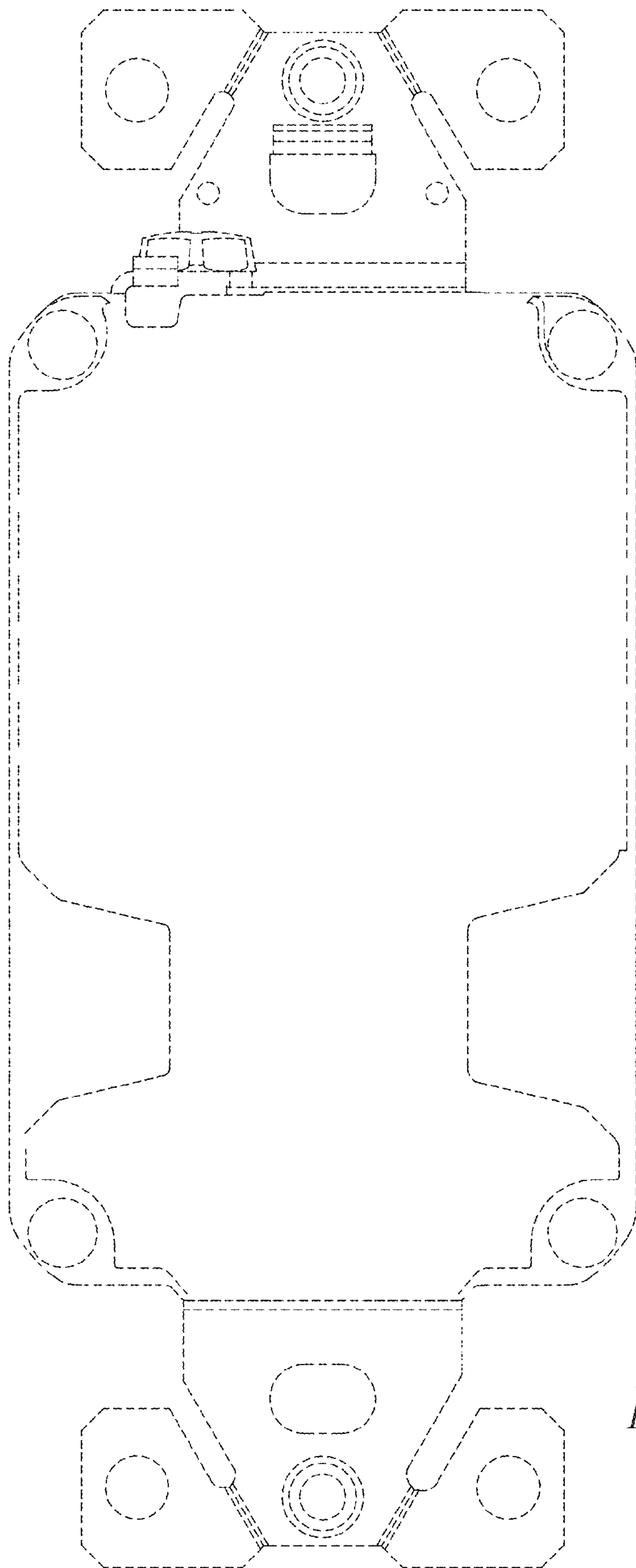


FIG. 3

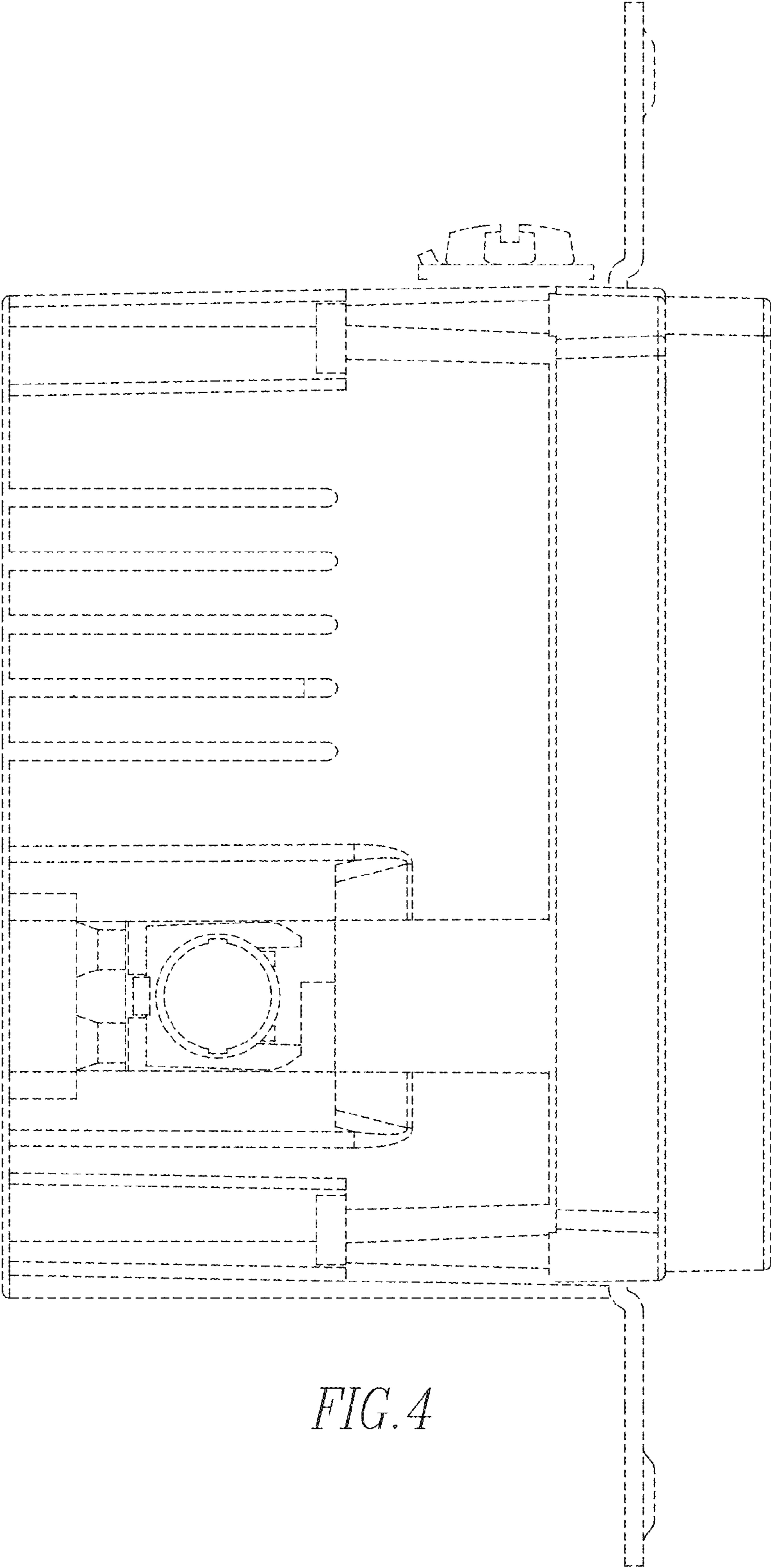


FIG. 4

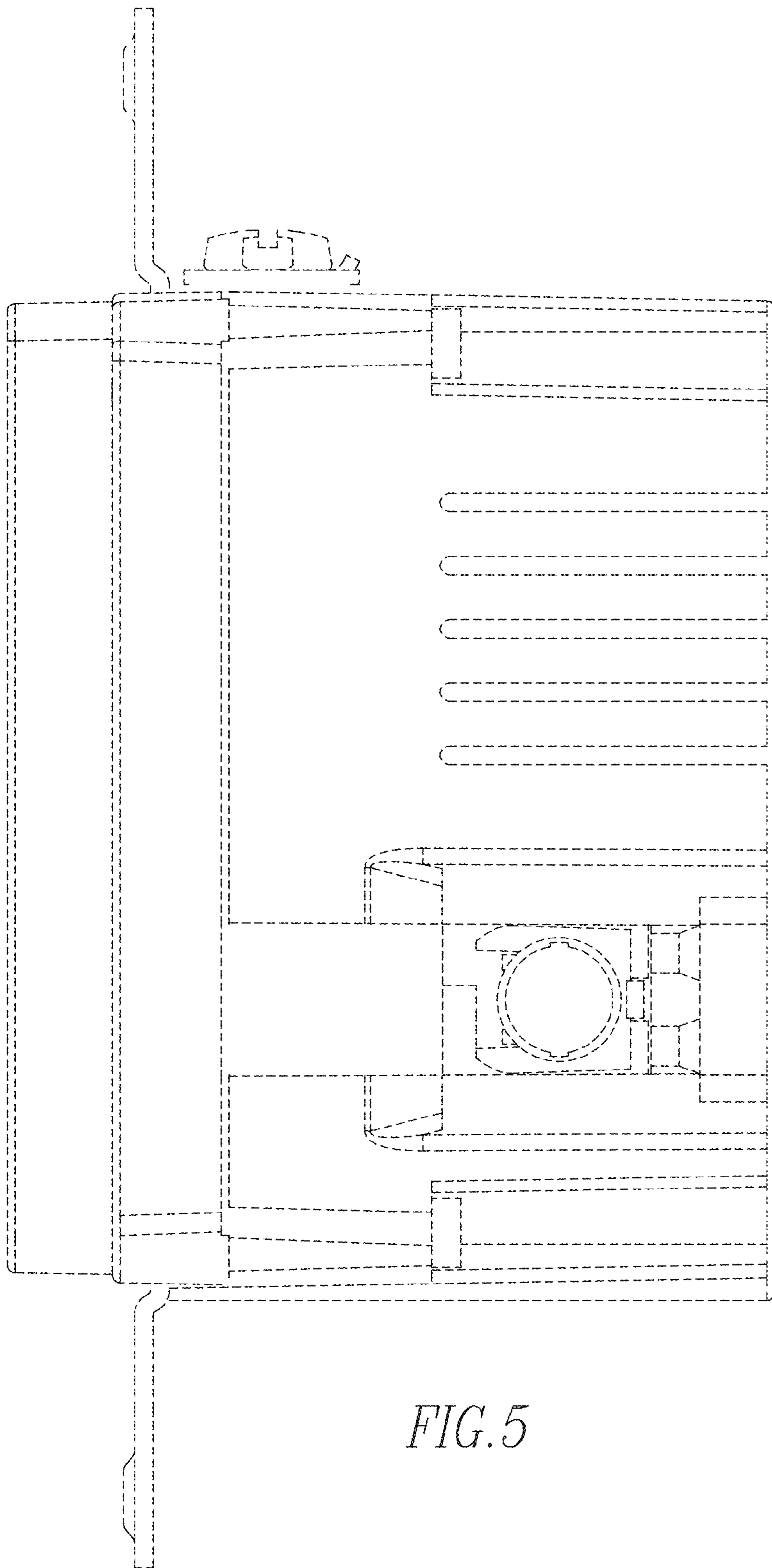


FIG. 5

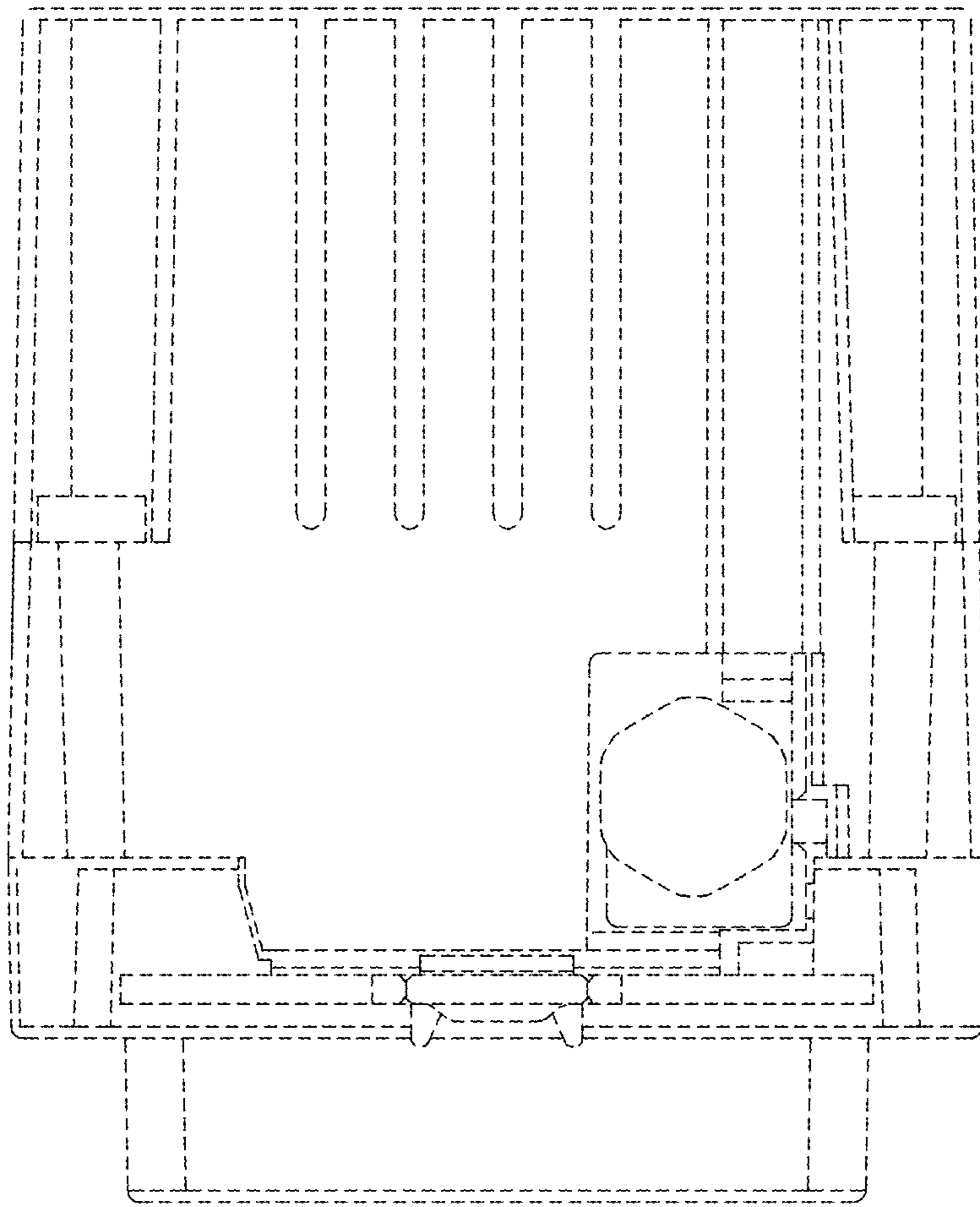


FIG. 6

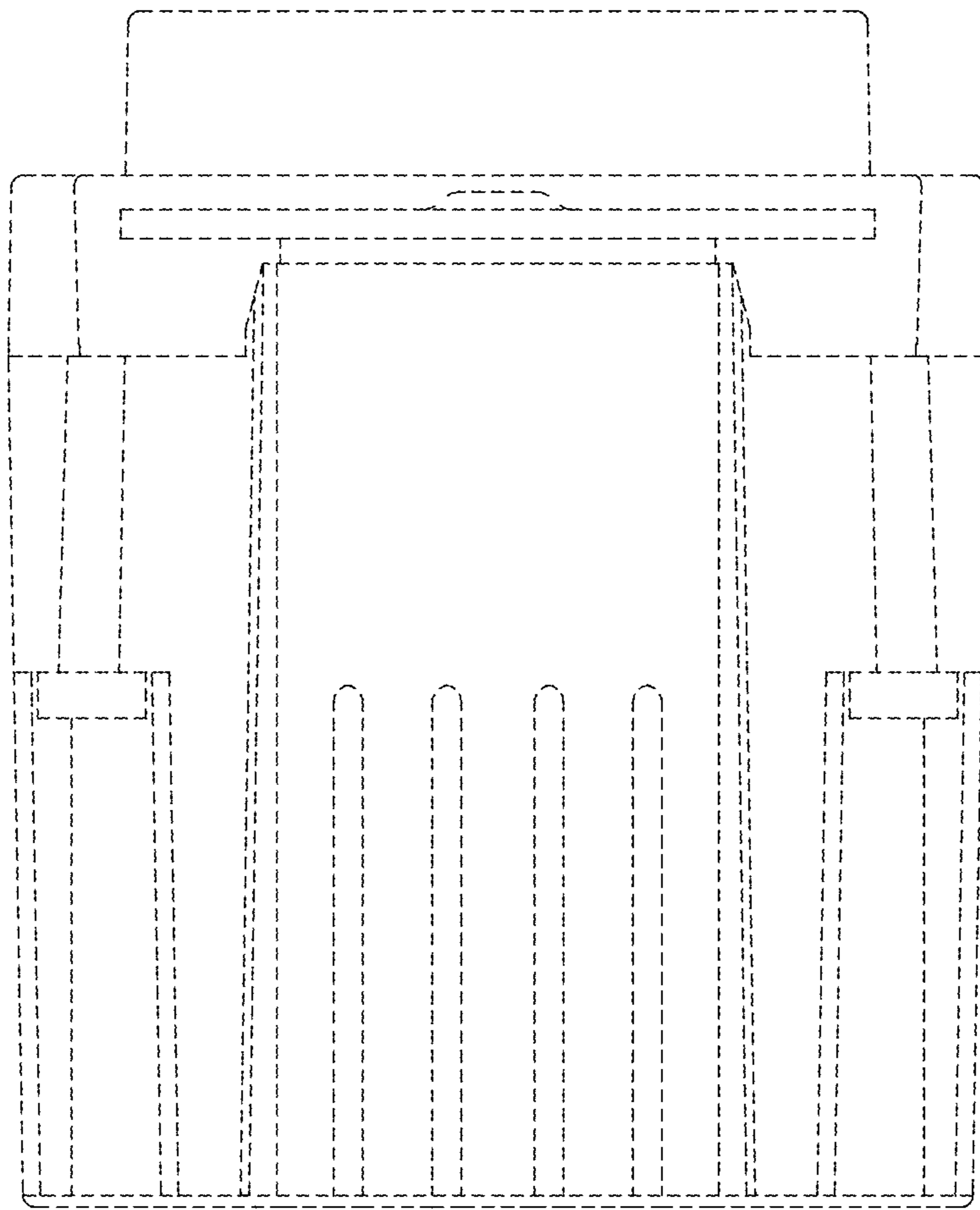


FIG. 7