



US00D884642S

(12) **United States Design Patent**
Cheng

(10) **Patent No.:** **US D884,642 S**

(45) **Date of Patent:** **** May 19, 2020**

(54) **EXTENSION CORD**

(71) Applicant: **Chi Wen Cheng**, Dongguan (CN)

(72) Inventor: **Chi Wen Cheng**, Dongguan (CN)

(**) Term: **15 Years**

(21) Appl. No.: **29/637,102**

(22) Filed: **Feb. 14, 2018**

(51) **LOC (12) Cl.** **13-03**

(52) **U.S. Cl.**
USPC **D13/137.4**

(58) **Field of Classification Search**

USPC D13/107, 108, 110, 123, 133,
D13/137.1-137.4, 138.1-138.2,
D13/139.1-139.8, 147, 152-154, 158,
D13/160; D14/433; D8/356
CPC .. H01R 25/00; H01R 25/006; H01R 13/6675;
H01R 13/10; H01R 13/44; H01R 13/66;
H01R 13/652; H01R 31/00; H01R
31/065; H01R 11/00; H01R 9/00; H01R
27/02; H01R 31/005; H01H 2207/00;
H01H 2207/022; H05K 5/00; G06F
13/4022; G06F 13/13; G06F 1/1632;
G06F 1/1684; G06F 1/20; G06F 1/1607
See application file for complete search history.

(56) **References Cited**

U.S. PATENT DOCUMENTS

D256,581 S * 8/1980 *Barin* D13/137.4
D466,867 S * 12/2002 *Krobusek* D13/137.4

D591,680 S * 5/2009 *Ho'o* D13/137.4
D607,404 S * 1/2010 *Orion* D13/110
D747,722 S * 1/2016 *Webb* D14/433
D818,966 S * 5/2018 *Paterson* D13/153

* cited by examiner

Primary Examiner — Rosemary K Tarcza

Assistant Examiner — Christy M Nemeth

(74) *Attorney, Agent, or Firm* — Leong C. Lei

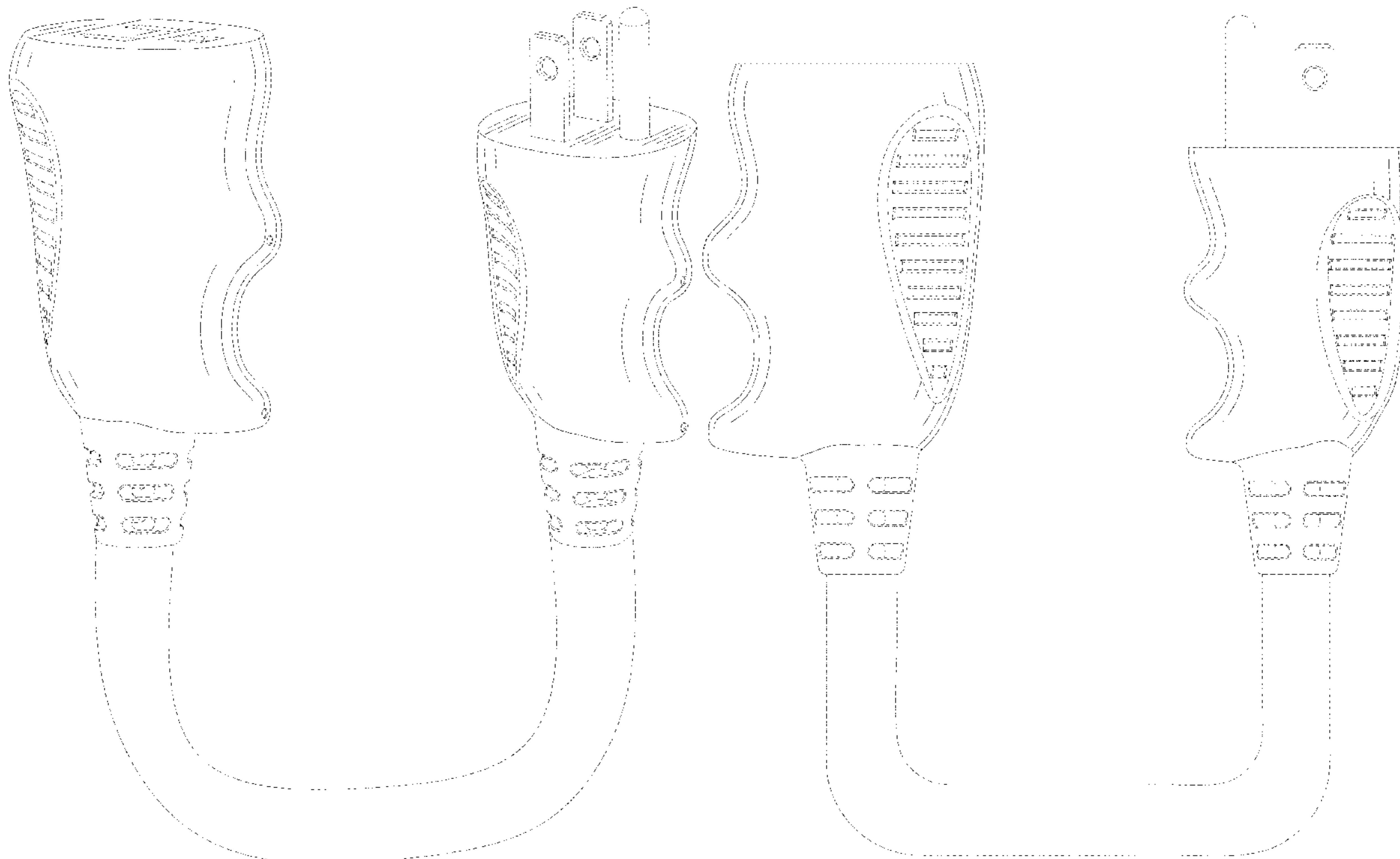
(57) **CLAIM**

The ornamental design for an extension cord, as shown and described.

DESCRIPTION

FIG. 1 is a top, rear perspective view of an extension cord showing my new design;
FIG. 2 is a front view thereof;
FIG. 3 is a rear view thereof;
FIG. 4 is a left side view thereof;
FIG. 5 is a right side view thereof;
FIG. 6 is a bottom view thereof;
FIG. 7 is a top view thereof; and,
FIG. 8 is a bottom, front perspective view thereof.
The broken lines in the drawings illustrate portions of the extension cord which form no part of the claimed design.

1 Claim, 8 Drawing Sheets



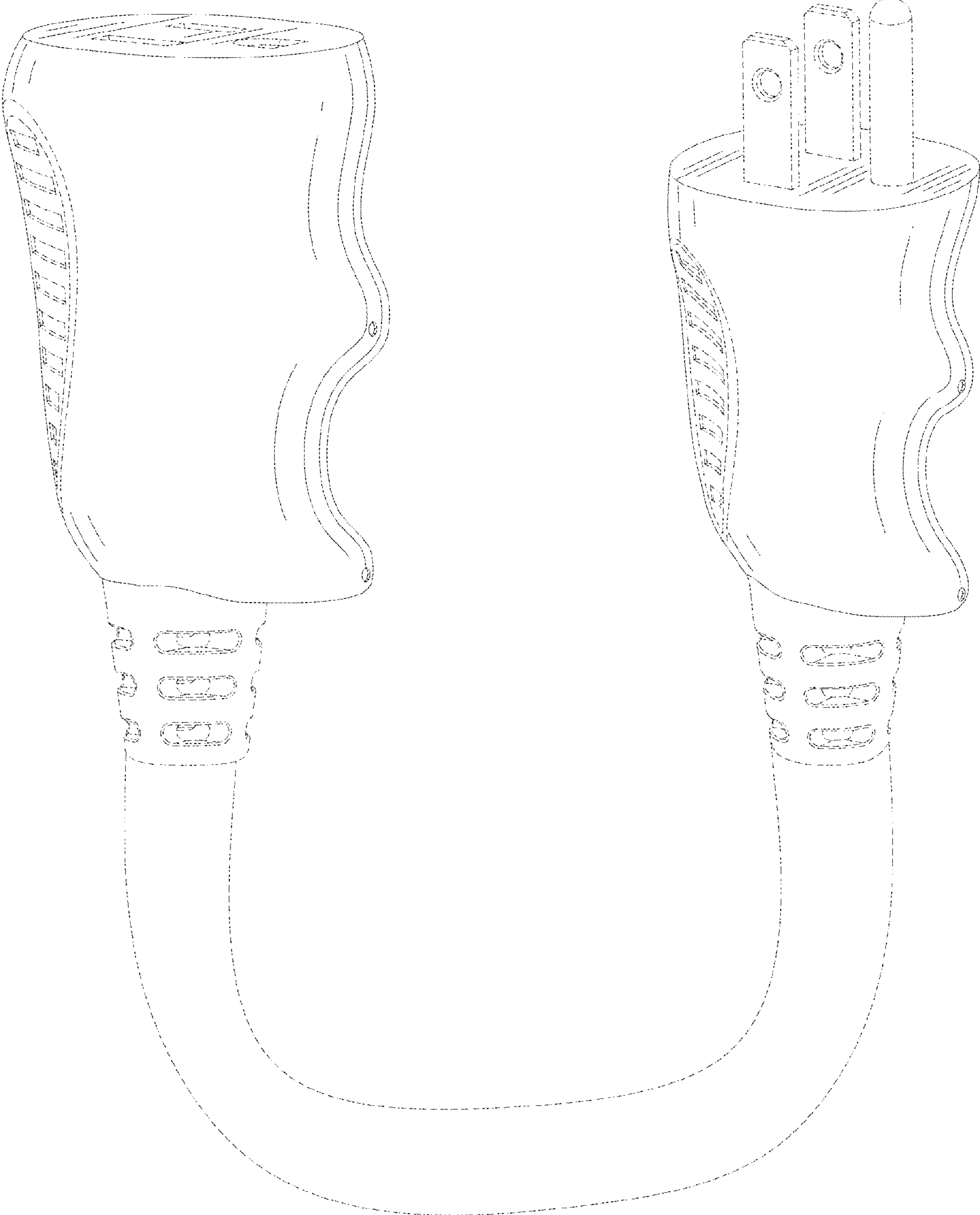


FIG. 1

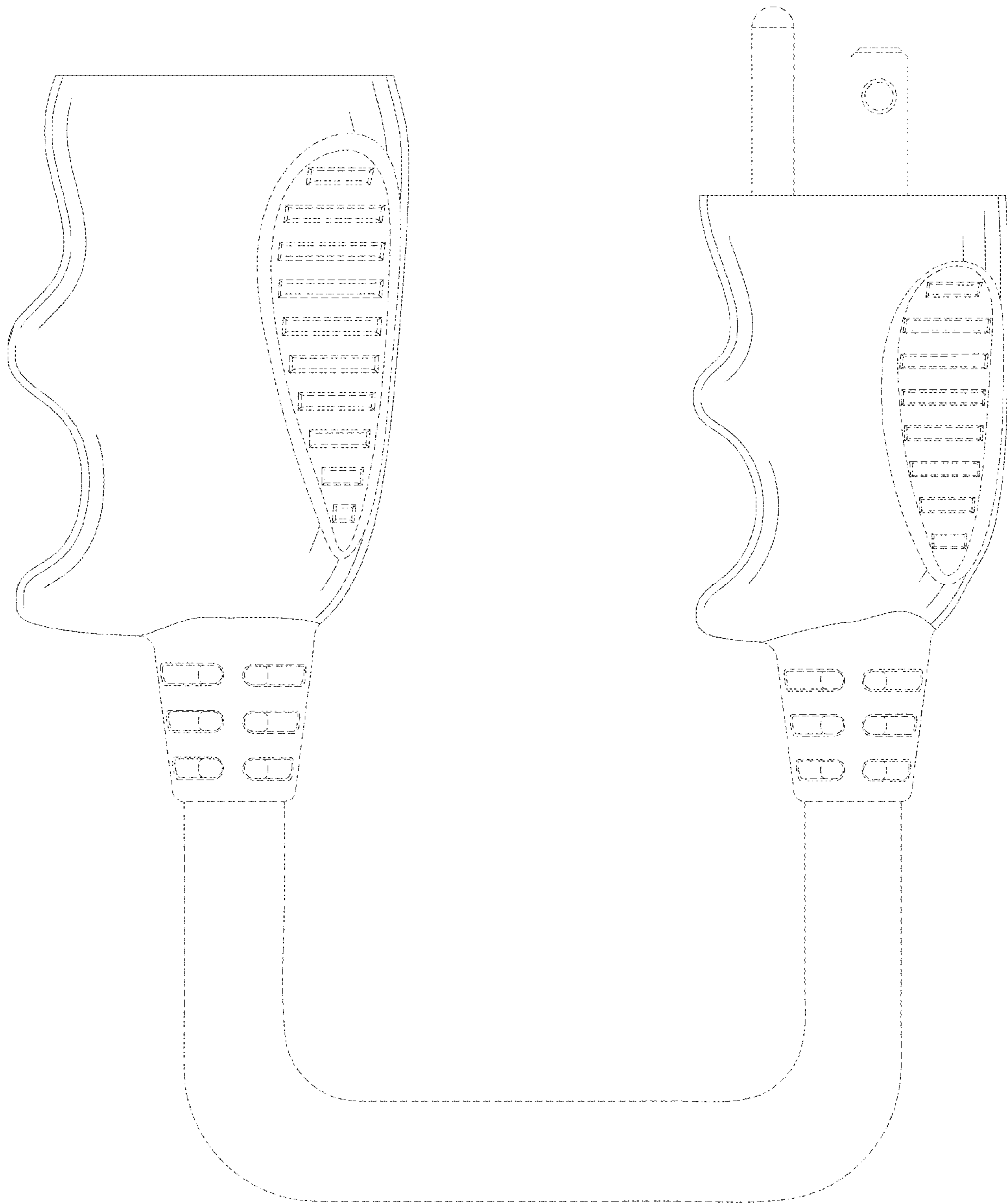


FIG. 2

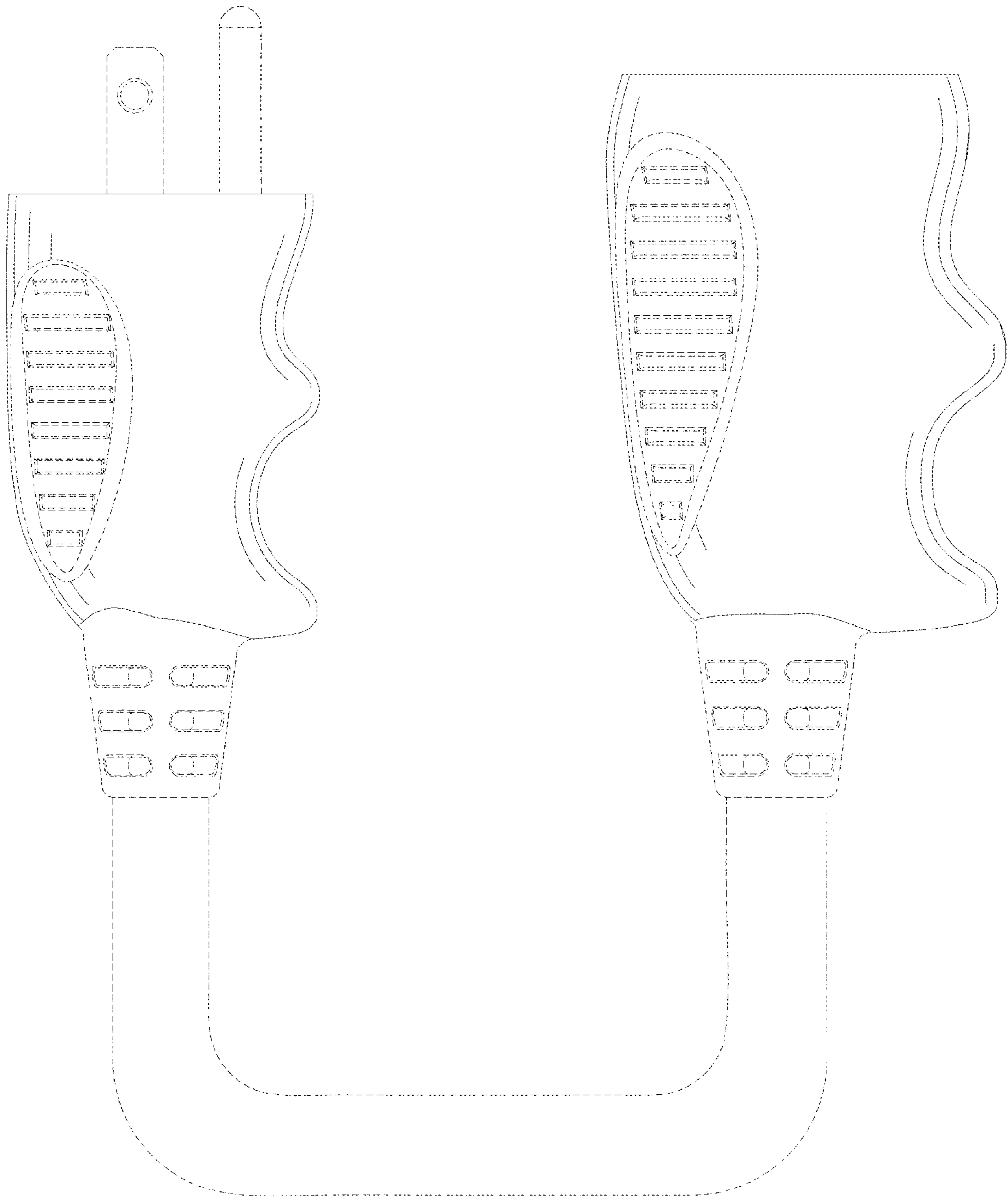


FIG. 3

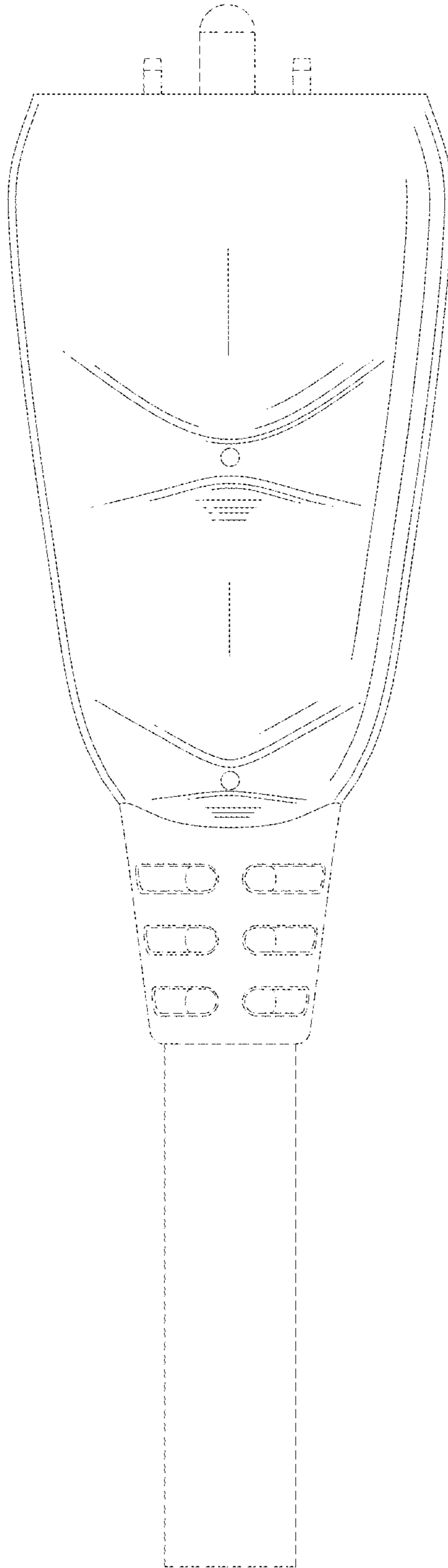


FIG. 4

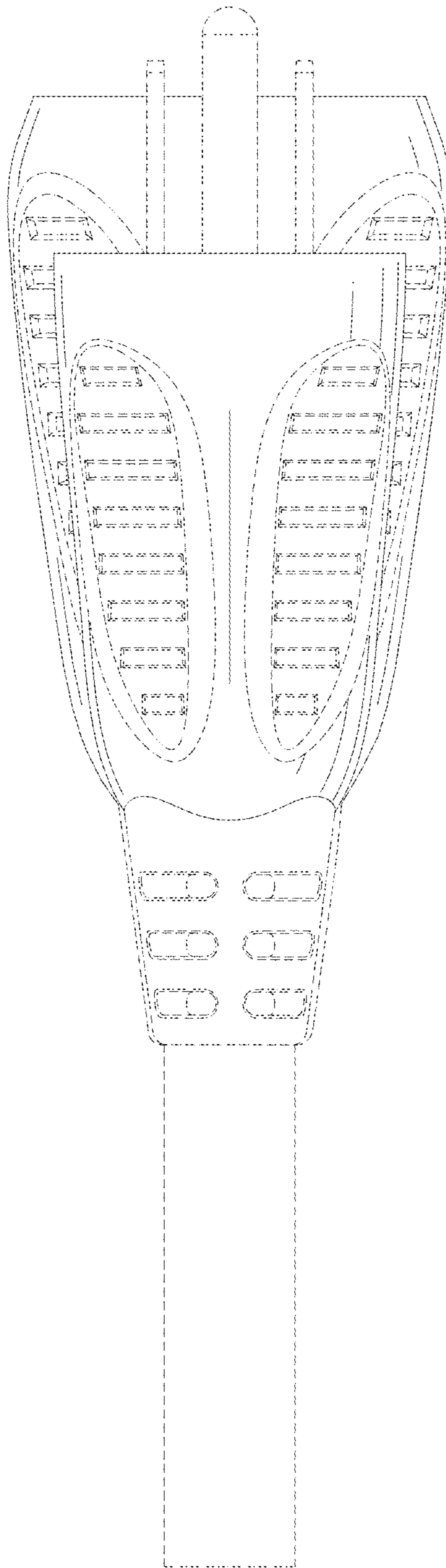


FIG. 5

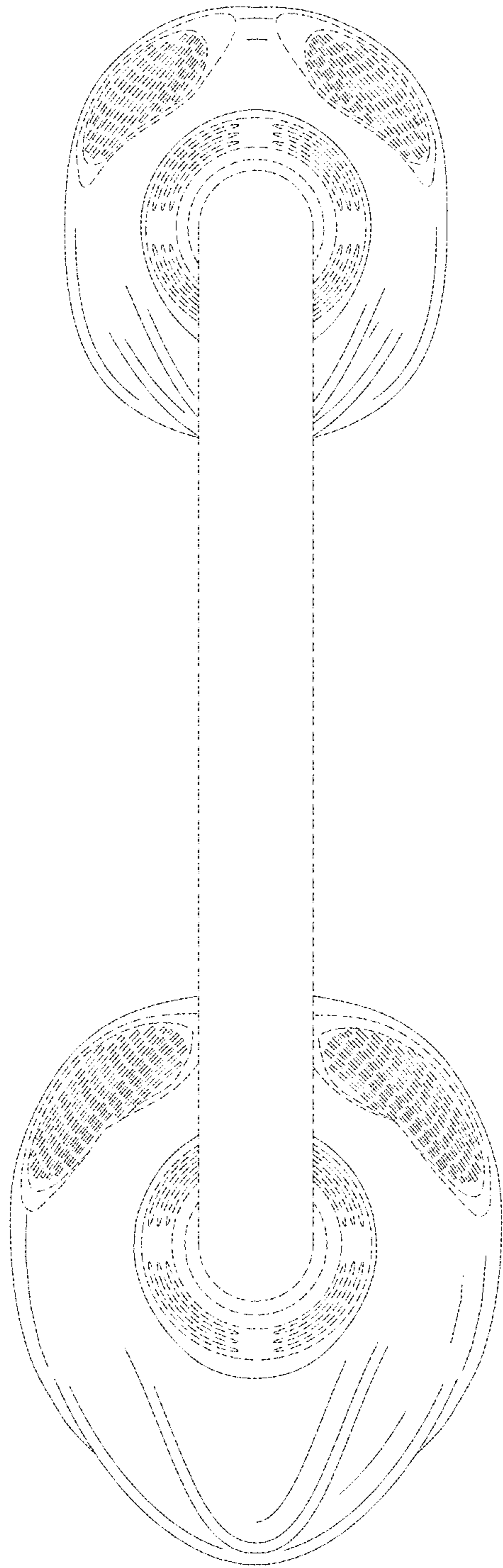


FIG. 6

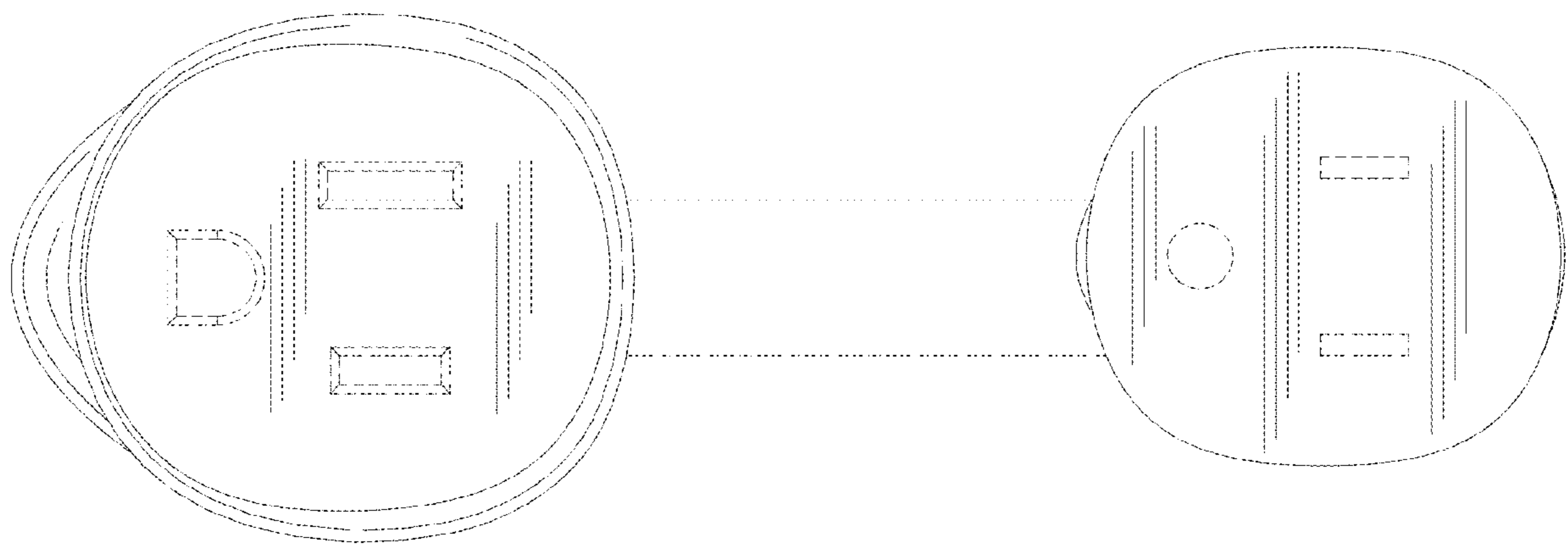


FIG. 7

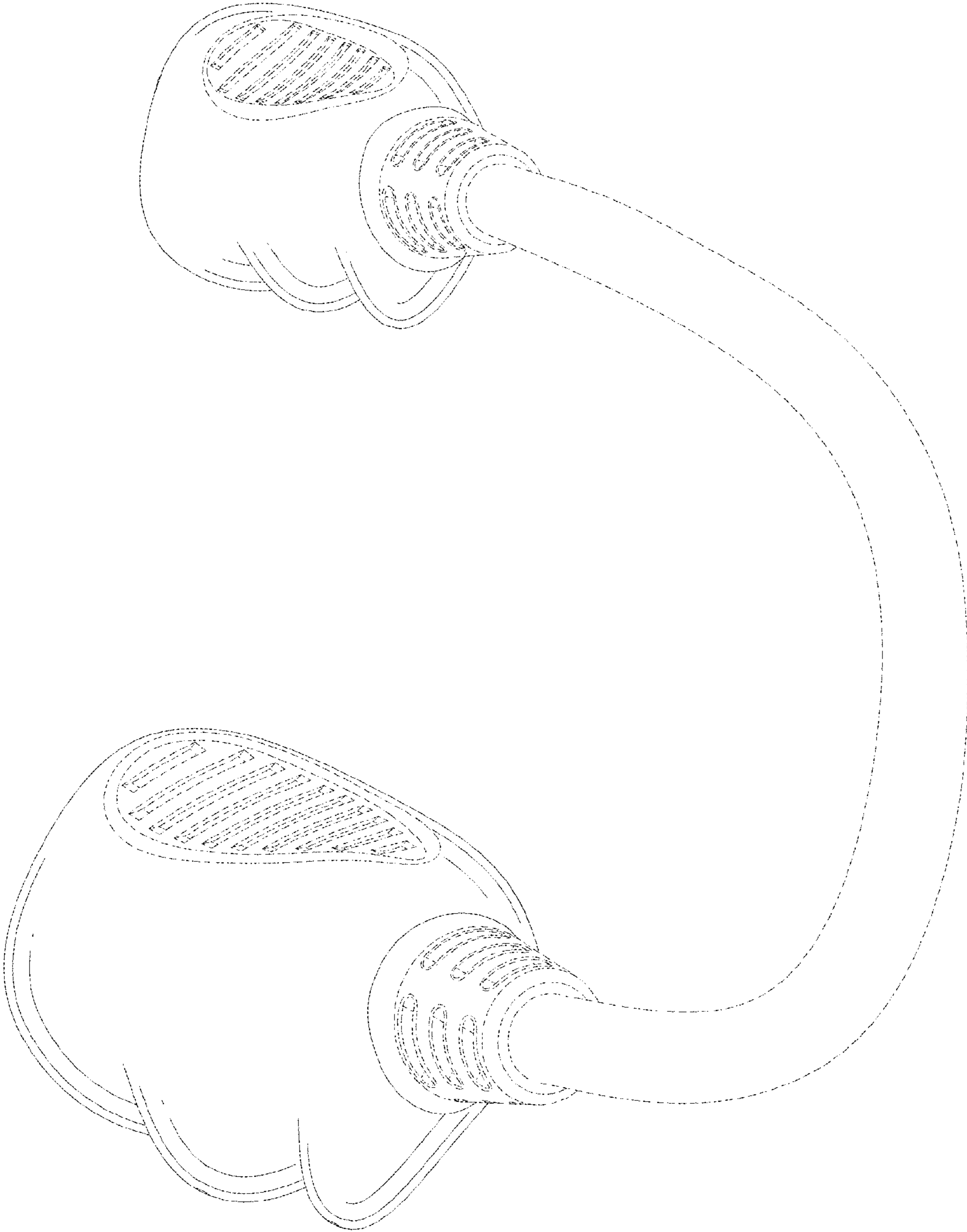


FIG. 8