



US00D884641S

(12) **United States Design Patent** (10) **Patent No.:** **US D884,641 S**
Loidl (45) **Date of Patent:** **** May 19, 2020**

(54) **SHELLS FOR CONNECTORS AND PLUGS FOR AUDIO AND VIDEOCABLES**

(71) Applicant: **VIABLUE GMBH**, Malsch (DE)

(72) Inventor: **Jörg Loidl**, Malsch (DE)

(**) Term: **15 Years**

(21) Appl. No.: **35/506,010**

(22) Filed: **Sep. 27, 2018**

(80) **Hague Agreement Data**

Int. Filing Date: **Sep. 27, 2018**

Int. Reg. No.: **DM/103356**

Int. Reg. Date: **Sep. 27, 2018**

Int. Reg. Pub. Date: **Nov. 9, 2018**

(51) **LOC (12) Cl.** **13-03**

(52) **U.S. Cl.**
USPC **D13/133**

(58) **Field of Classification Search**
USPC D13/133, 146, 147, 154, 156, 184, 199;
D14/433
CPC H01R 13/5213; H01R 13/5221; H01R
13/5816; H01R 13/64; H01R 13/6456;
H01R 24/38

See application file for complete search history.

(56) **References Cited**

U.S. PATENT DOCUMENTS

D212,006 S *	8/1968	Roberts	D14/155
D456,363 S *	4/2002	Lee	D13/154
6,406,313 B1 *	6/2002	Victor	H01R 27/00
				439/175
D505,390 S *	5/2005	Lee	D13/133
7,182,614 B2 *	2/2007	Crestin	H01R 13/2421
				439/188
D542,225 S *	5/2007	Victor	D13/154
D550,623 S *	9/2007	McCann	D13/133

(Continued)

OTHER PUBLICATIONS

Product review by Head-Fi.org User average_joe. head-fi.org. [Online][Published Aug. 27, 2011][Accessed Jul. 20, 2019] <URL: https://www.head-fi.org/threads/19-custom-iem-tf10-shure-ie8-cables-reviewed-effect-pearl-apollo-odin-added-3-20-13.564978/page-2> (Year: 2011).*

Primary Examiner — Nathaniel D. Buckner

(74) *Attorney, Agent, or Firm* — Alexander R. Schlee; Schlee IP International, PC

(57) **CLAIM**

The ornamental design for a housing for connectors and plugs, as shown and described.

DESCRIPTION

Housing for connectors and plugs

1.1 is a bottom view of a first embodiment of a housing for connectors and plugs.

1.2 is a top view of the first embodiment of the housing for connectors and plugs.

1.3 is a rear side view of the first embodiment of the housing for connectors and plugs.

1.4 is a front side view of the first embodiment of the housing for connectors and plugs.

1.5 is a perspective front view of the first embodiment of the housing for connectors and plugs.

1.6 is a right side view of the first embodiment of the housing for connectors and plugs.

3.1 is a top view of a second embodiment of a housing for connectors and plugs.

3.2 is a bottom view of a second embodiment of the housing for connectors and plugs.

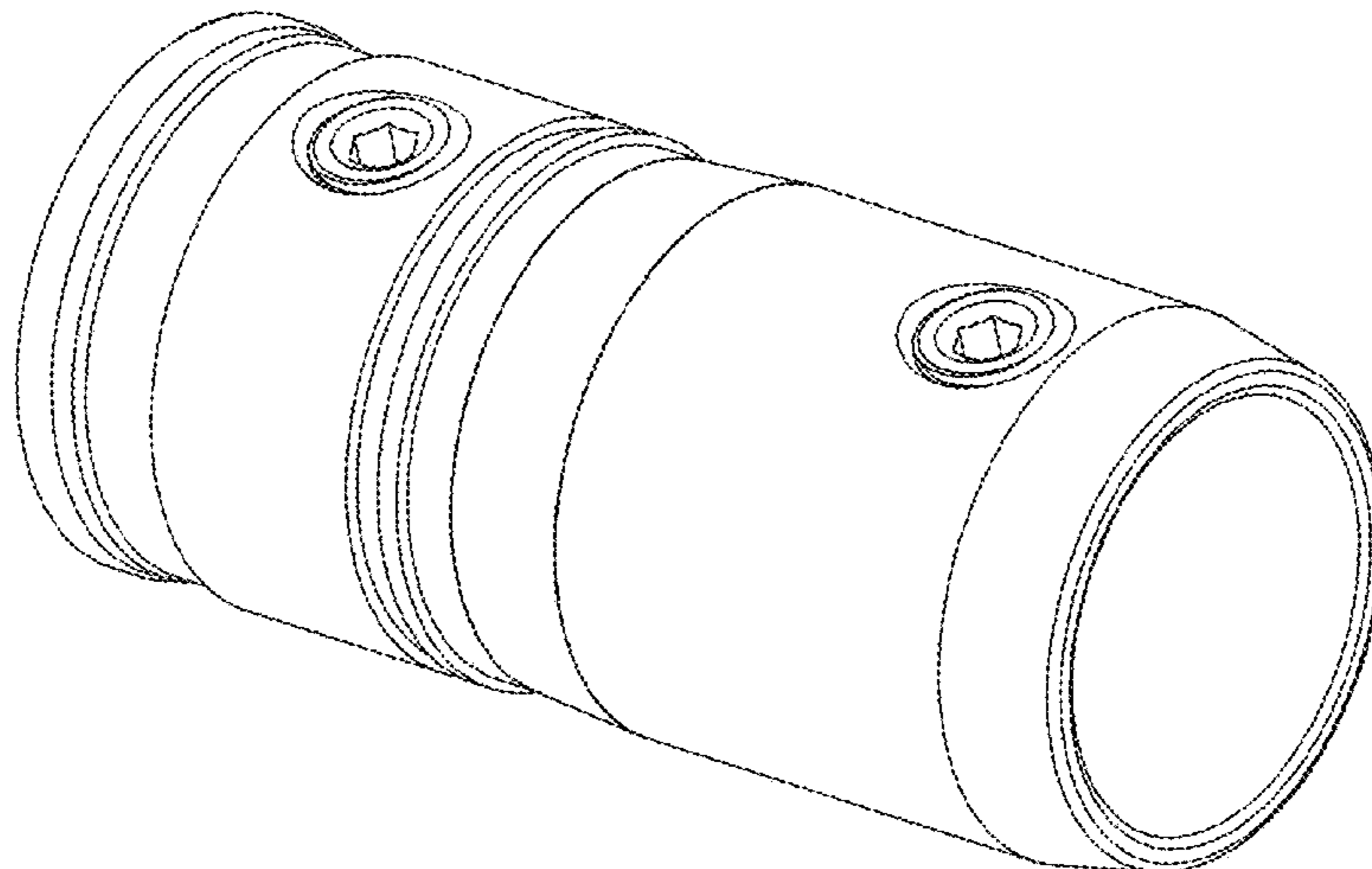
3.3 is a rear side view of the second embodiment of the housing for connectors and plugs.

3.4 is a left side view of the second embodiment of the housing for connectors and plugs.

3.5 is a perspective front view of the second embodiment of the housing for connectors and plugs.

3.6 is a front side view of the second embodiment of the housing for connectors and plugs.

(Continued)



The broken lines in the reproductions depict portions of the article which form no part of the claimed design.

1 Claim, 12 Drawing Sheets

(56)

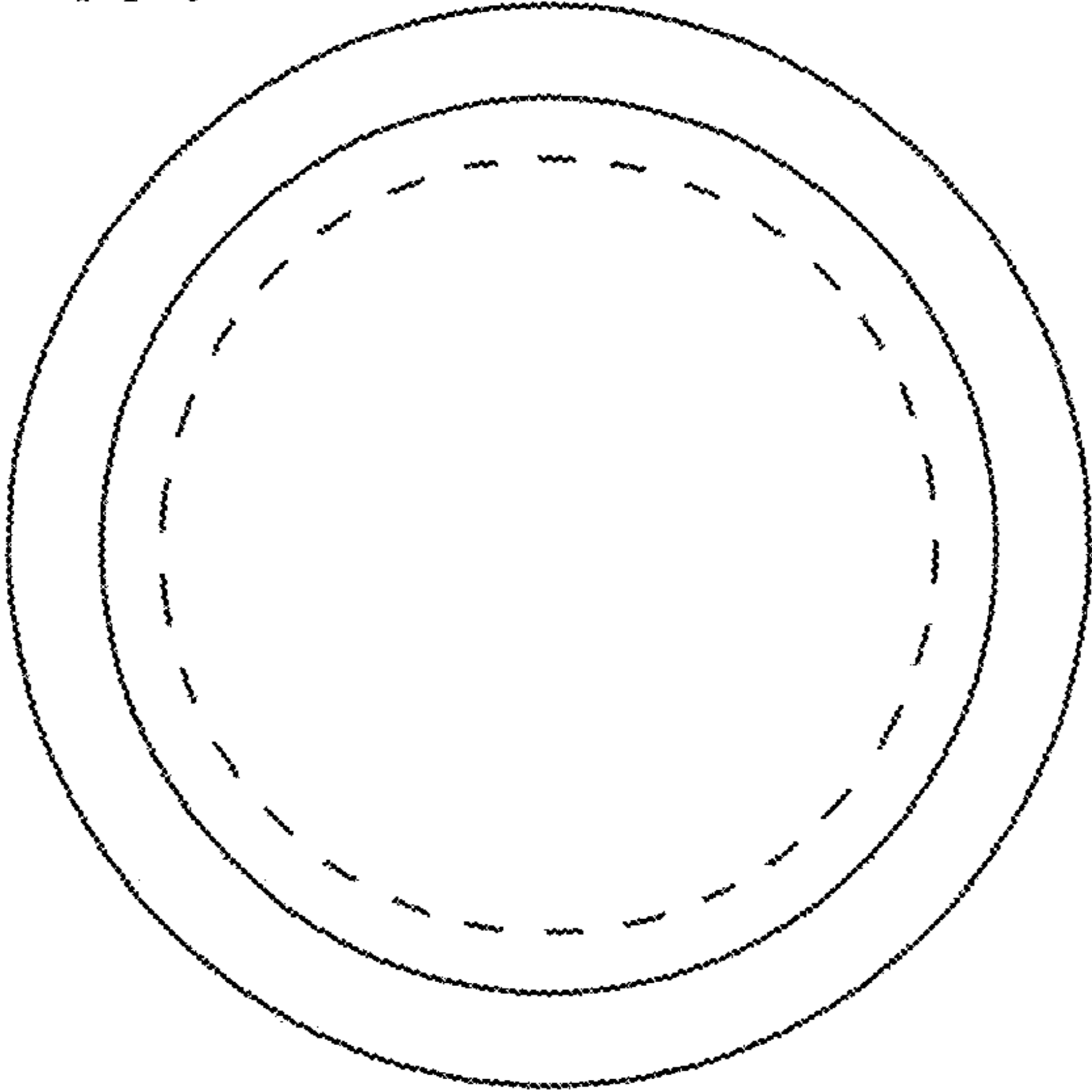
References Cited

U.S. PATENT DOCUMENTS

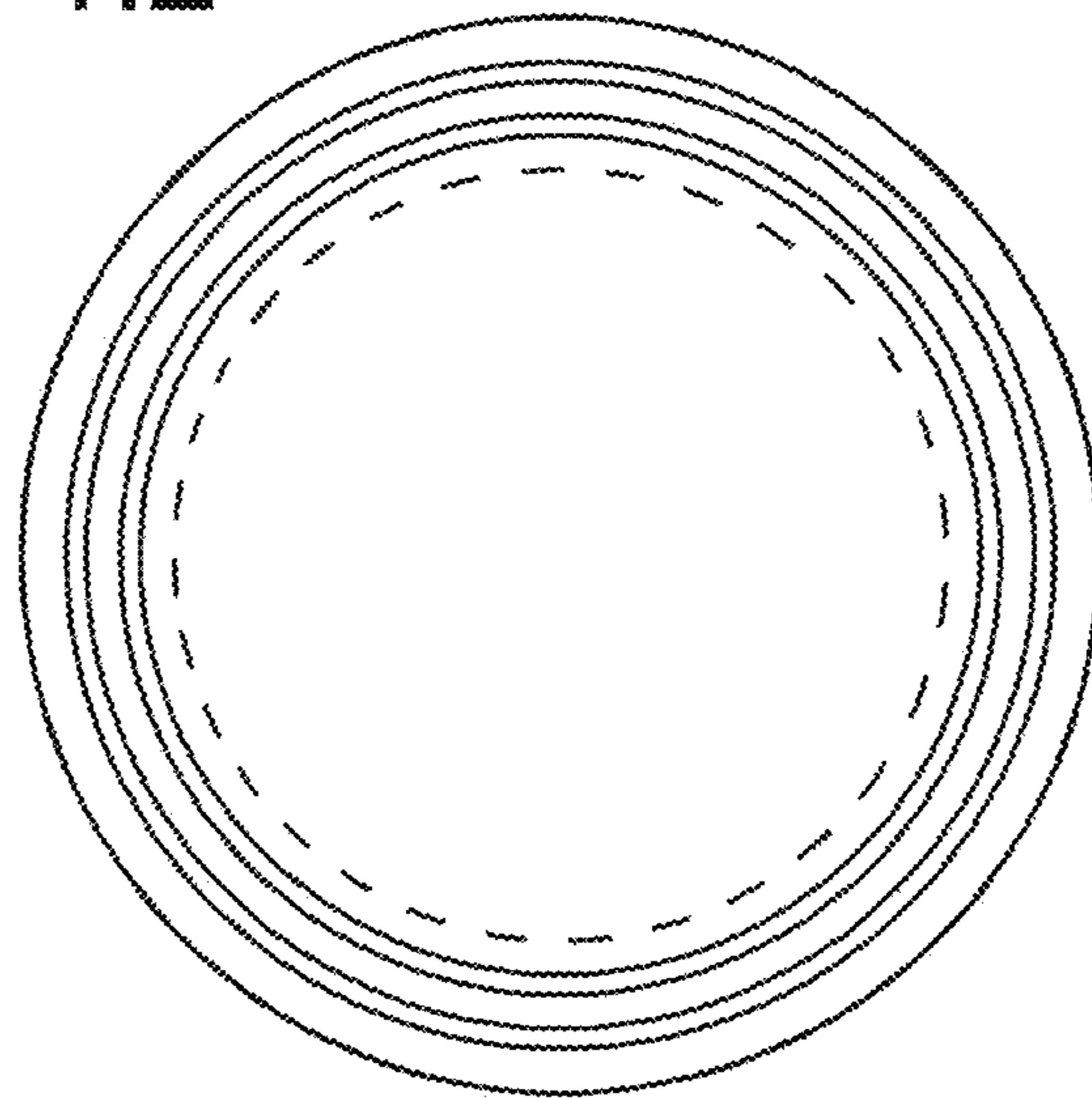
D601,966 S *	10/2009	Shaw	D13/133
D607,828 S *	1/2010	Shaw	D13/133
D703,148 S *	4/2014	Lee	D13/154
D703,149 S *	4/2014	Lee	D13/154
D717,731 S *	11/2014	Lee	D13/133
D741,801 S *	10/2015	Davidson, Jr.	D13/133
D741,804 S *	10/2015	Davidson, Jr.	D13/133
D741,805 S *	10/2015	Davidson, Jr.	D13/133
D847,122 S *	4/2019	Messadek	D14/217

* cited by examiner

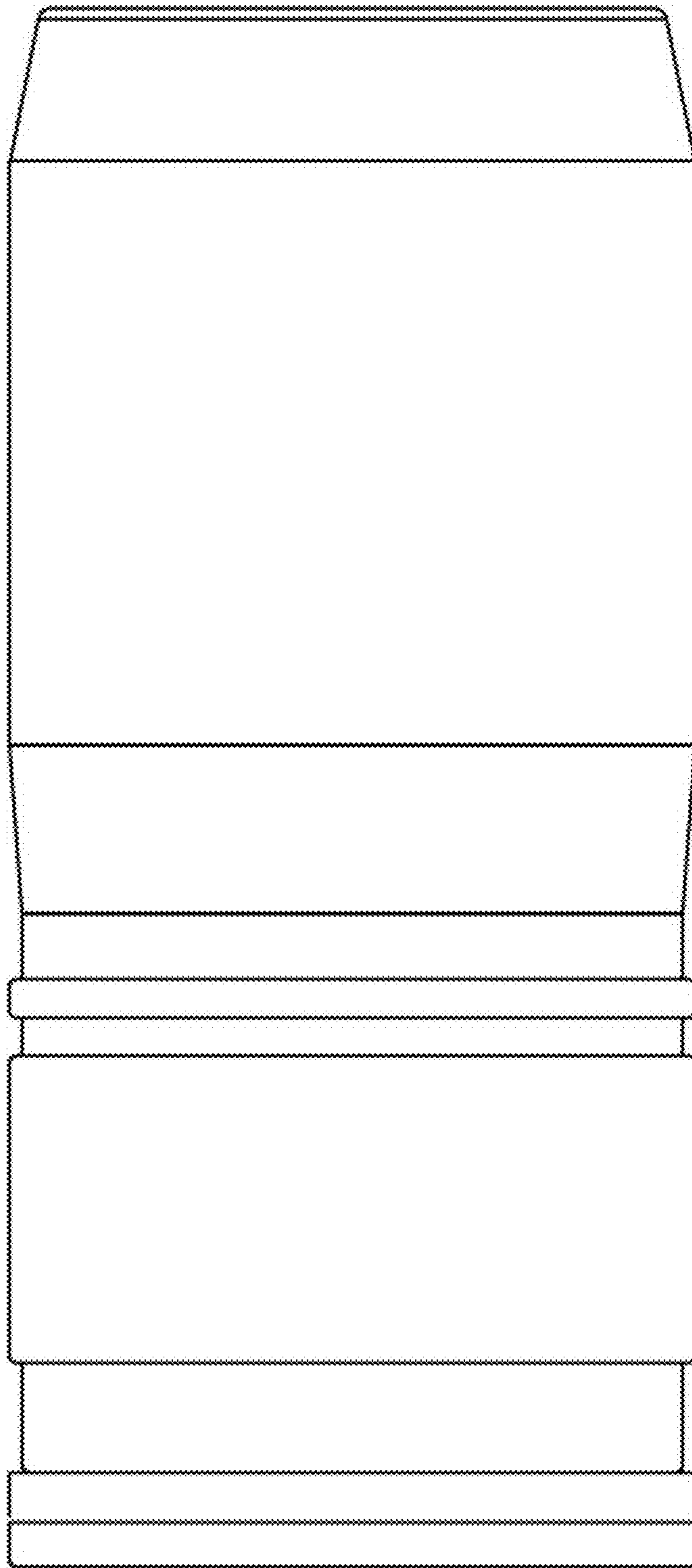
1.1



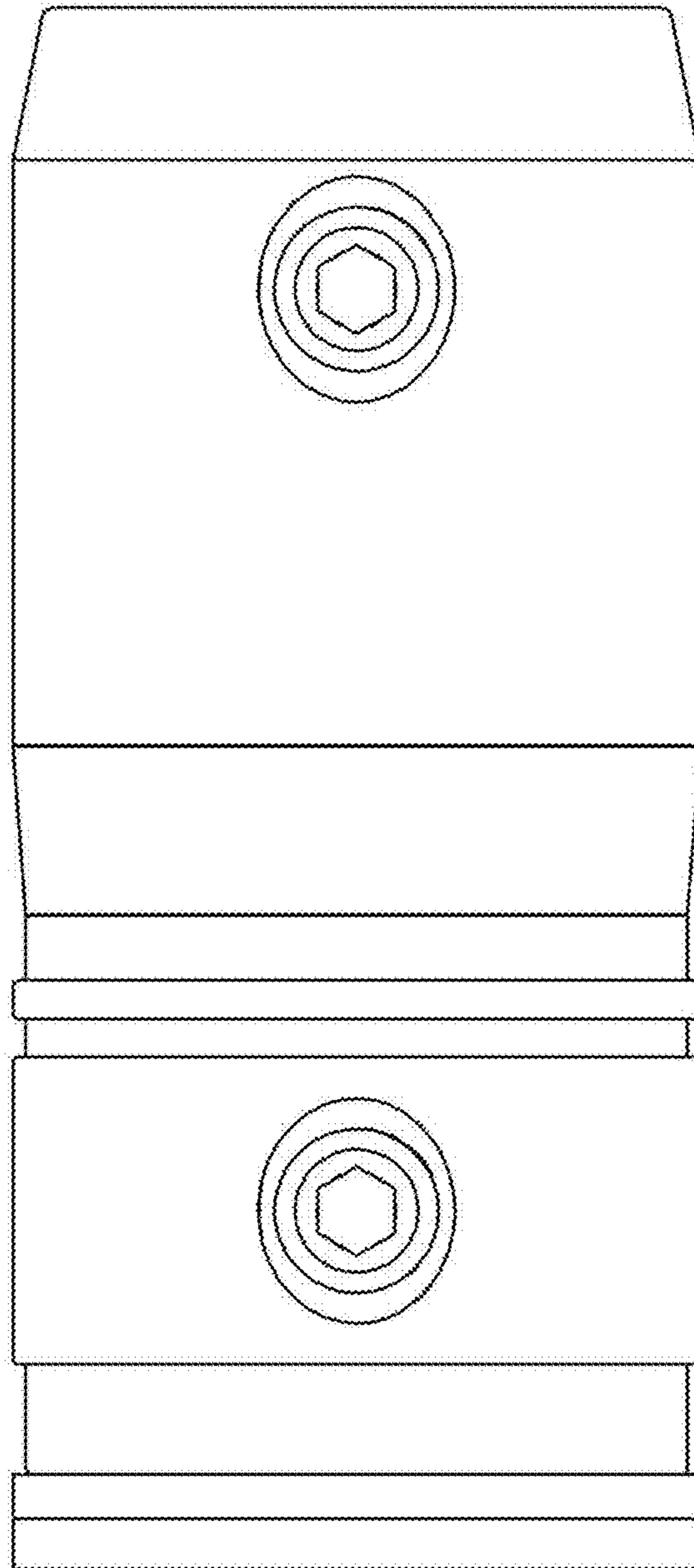
1.2



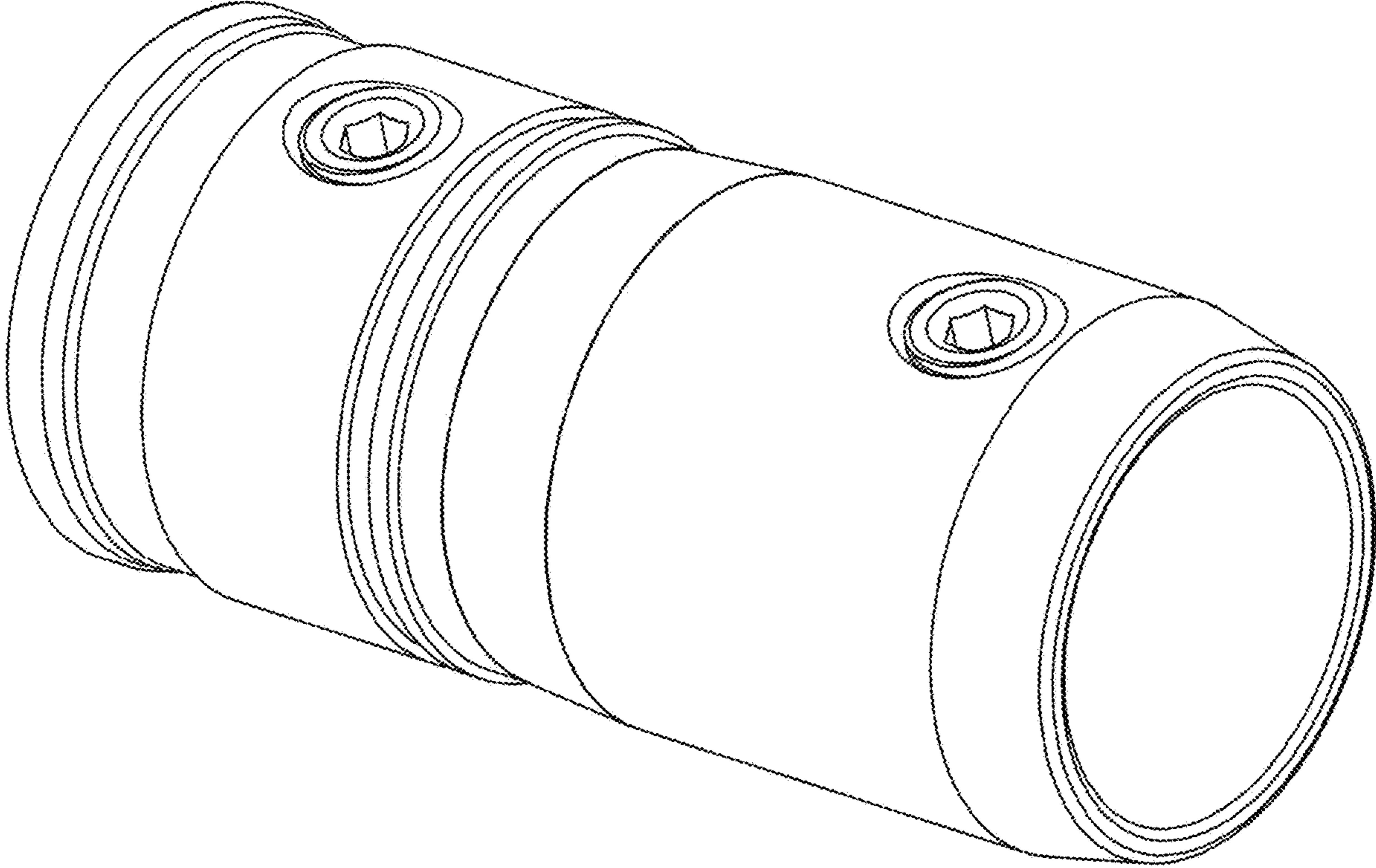
1.3



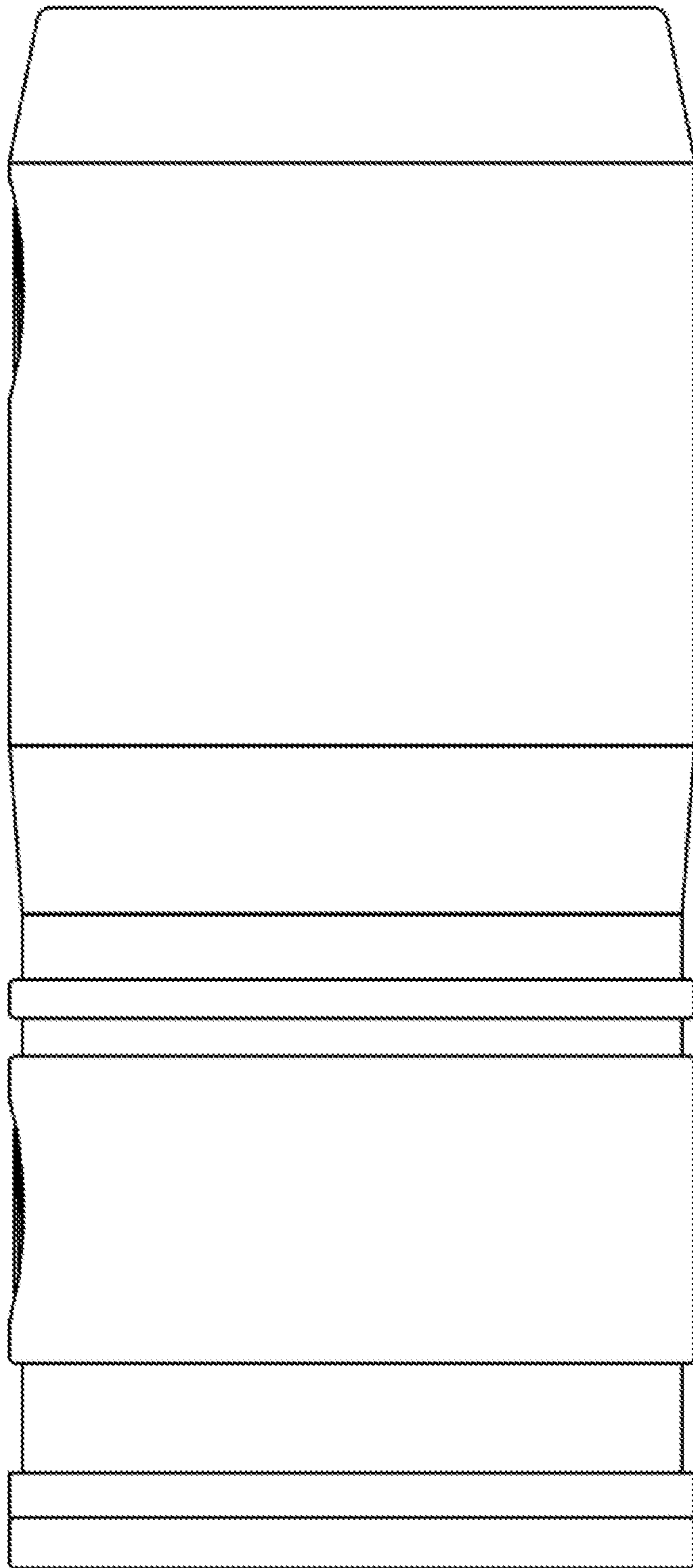
1.4



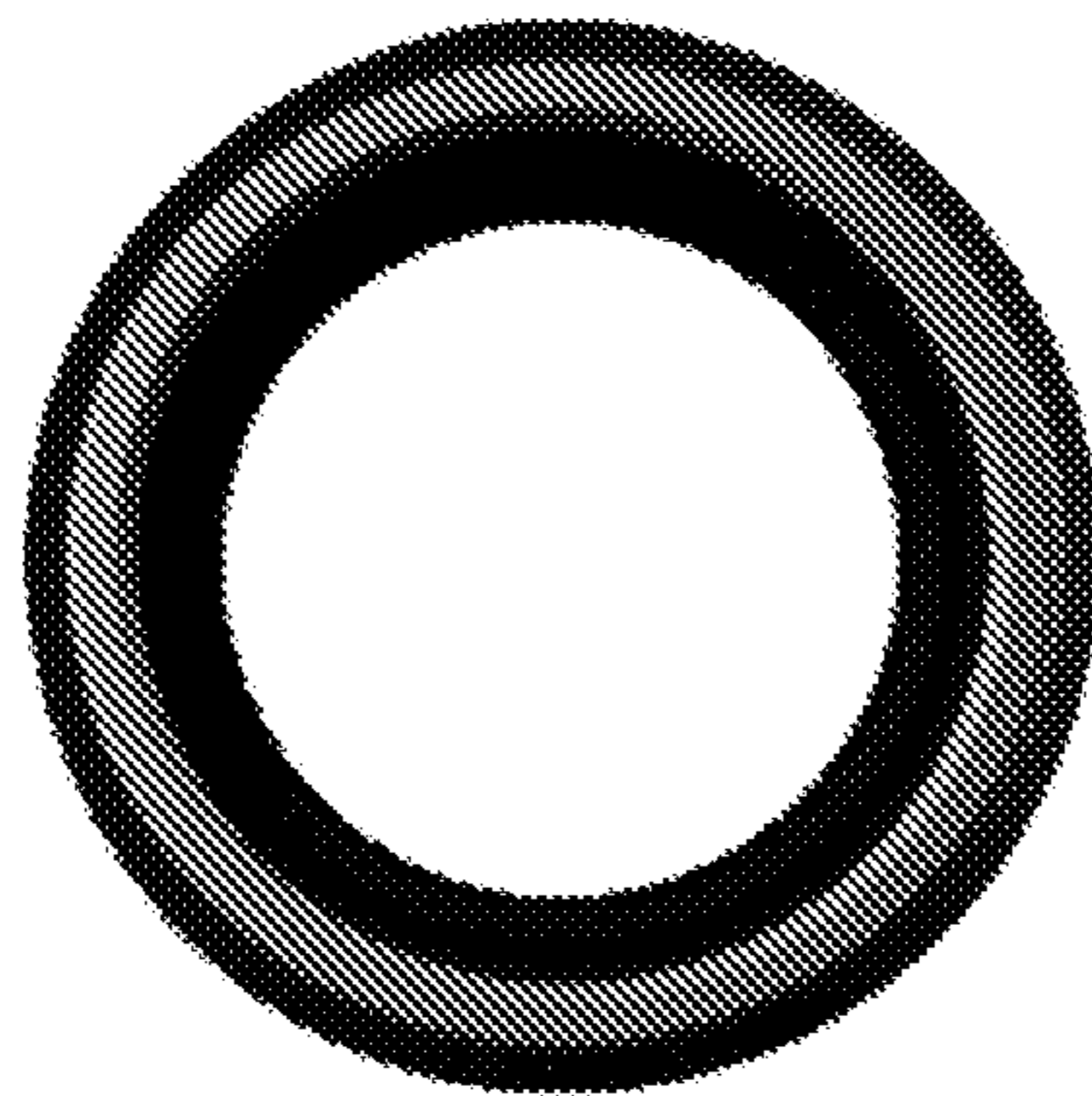
1.5



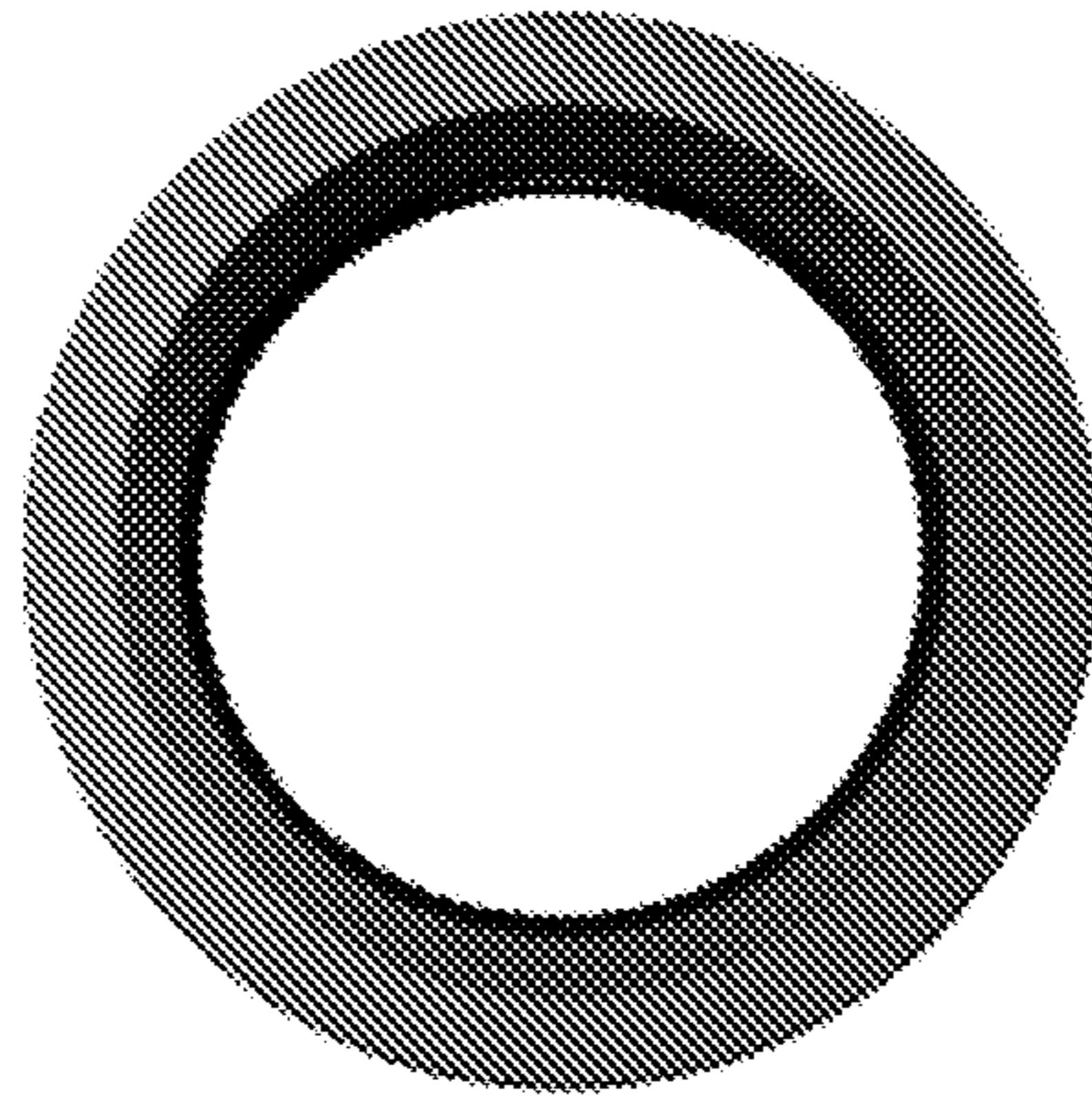
1.6



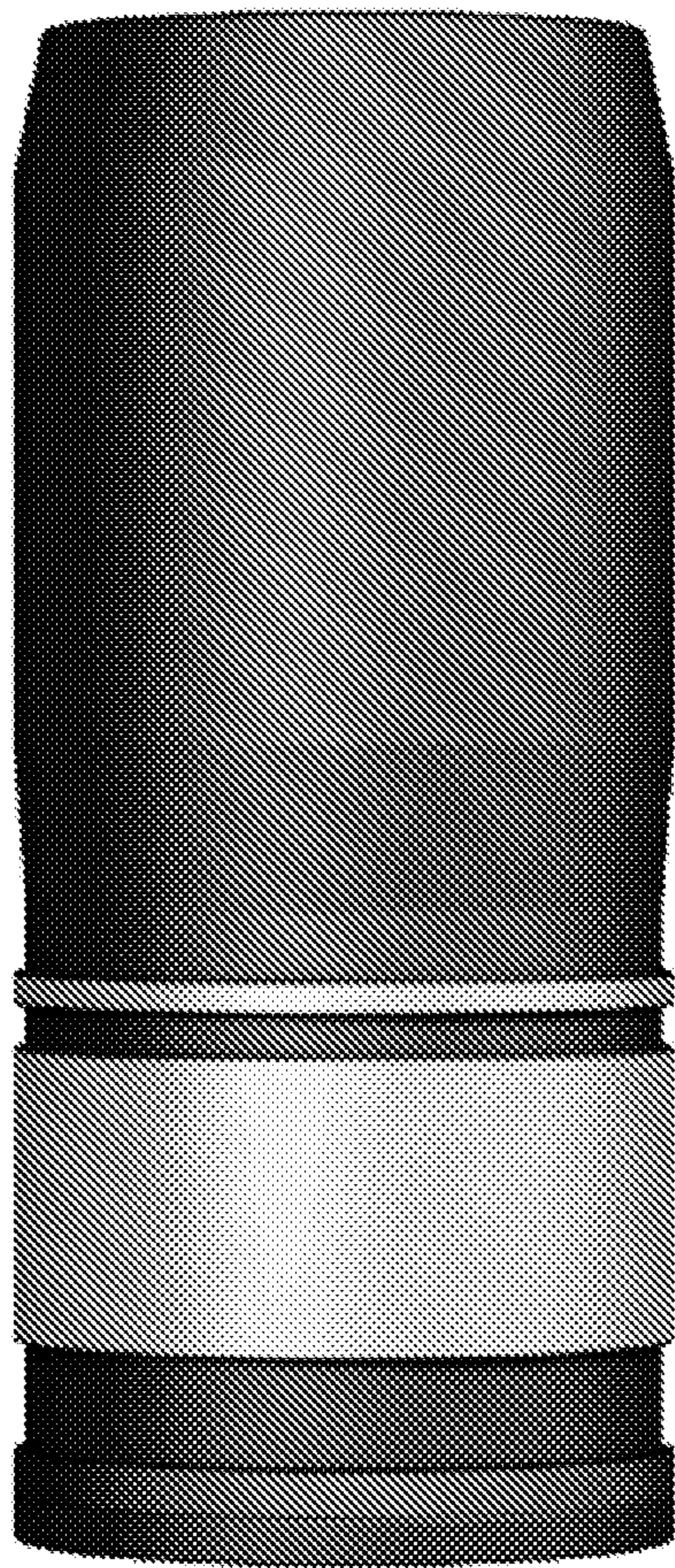
3.1



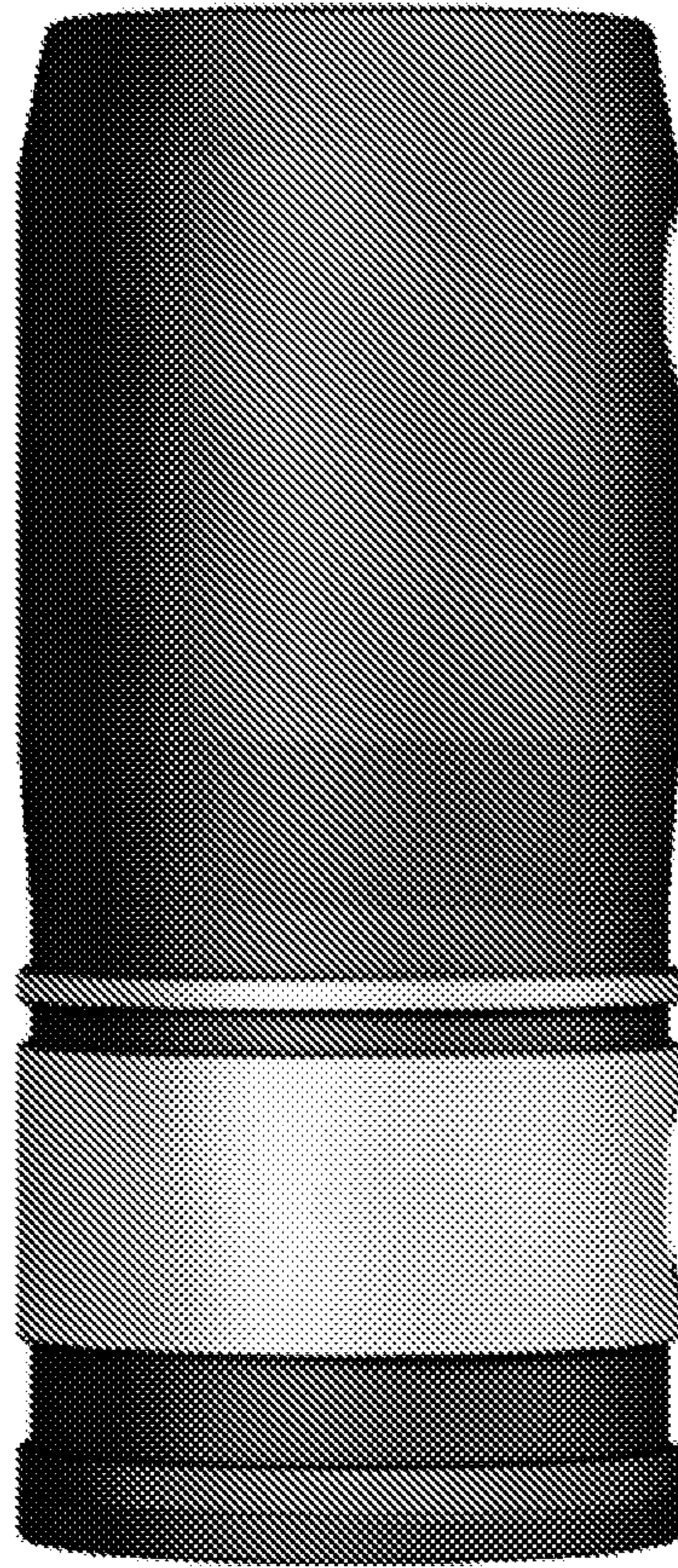
3.2



3.3



3.4



3.5



3.6

