



US00D884640S

(12) **United States Design Patent** (10) **Patent No.:** **US D884,640 S**  
**Zhuang et al.** (45) **Date of Patent:** **\*\* May 19, 2020**

(54) **BIMETAL THERMAL PROTECTION PLATE FOR A POWER RECEPTACLE**

2,136,366 A 9/1935 Martin  
2,399,406 A 4/1946 Toth  
2,508,637 A 5/1950 Bolesky  
(Continued)

(71) Applicant: **Eaton Intelligent Power Limited**,  
Dublin (IE)

(72) Inventors: **Alex Zhuang**, Shanghai (CN); **George Zhang**, Shanghai (CN); **Erik Jeffrey Gouhl**, Fayetteville, GA (US); **Darron Kirby Lacey**, Peachtree City, GA (US); **Tom Xiong**, Shanghai (CN)

(73) Assignee: **Eaton Intelligent Power Limited**,  
Dubin (IE)

(\*\*) Term: **15 Years**

(21) Appl. No.: **29/689,498**

(22) Filed: **Apr. 30, 2019**

**Related U.S. Application Data**

(62) Division of application No. 29/593,429, filed on Feb. 8, 2017, now Pat. No. Des. 852,747.

(51) **LOC (12) Cl.** ..... **13-03**

(52) **U.S. Cl.**  
USPC ..... **D13/133; D13/154**

(58) **Field of Classification Search**  
USPC ..... D13/118–123, 133, 146, 147, 149, D13/154–156, 160, 161, 173, 178, 184, D13/199  
CPC ... H01R 4/24; H01R 4/64; H01R 4/66; H01R 9/05; H01R 13/64; H01R 13/68; H01R 24/30; H01R 27/02; H01H 5/08; H01H 9/00; H01H 50/54; H01H 61/00; H01H 37/02; H01H 37/52; H01H 37/70; H01H 71/00; H01H 71/16; H01H 71/62  
See application file for complete search history.

(56) **References Cited**

**U.S. PATENT DOCUMENTS**

1,641,002 A 8/1927 Kaplan  
1,850,206 A 3/1932 Hertzberg

**OTHER PUBLICATIONS**

Aperam Alloys Imphy “Thermostat Components Alloys” www.aperam.com/alloys-imphy (1 page) (Jun. 2012)  
(Continued)

*Primary Examiner* — Angela J Lee  
*Assistant Examiner* — Shawn T Gingrich  
(74) *Attorney, Agent, or Firm* — Myers Bigel, P.A.

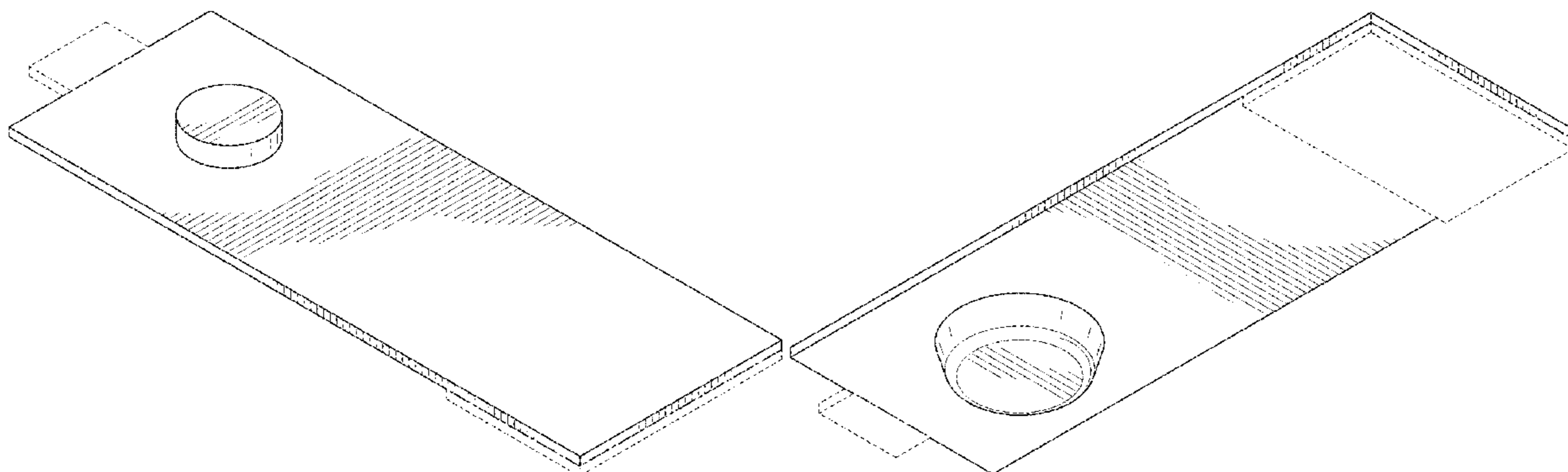
(57) **CLAIM**

The ornamental design a bimetal thermal protection plate for a power receptacle, as shown and described.

**DESCRIPTION**

FIG. 1 is a top perspective view of a bimetal thermal protection plate for a power receptacle showing our design; FIG. 2 is a bottom perspective view thereof; FIG. 3 is a side view thereof; FIG. 4 is another side view thereof; FIG. 5 is an end view thereof; FIG. 6 is an opposing end view thereof; FIG. 7 is a top view thereof; FIG. 8 is a bottom view thereof; and, FIG. 9 is an environmental view of the bimetal thermal protection plate for a power receptacle. The broken lines shown herein are included to show portions of the article and environment that form no part of the claimed design. The dash-dot broken lines illustrate the boundary of the claim that form no part of the claimed design.

**1 Claim, 5 Drawing Sheets**



(56)

References Cited

U.S. PATENT DOCUMENTS

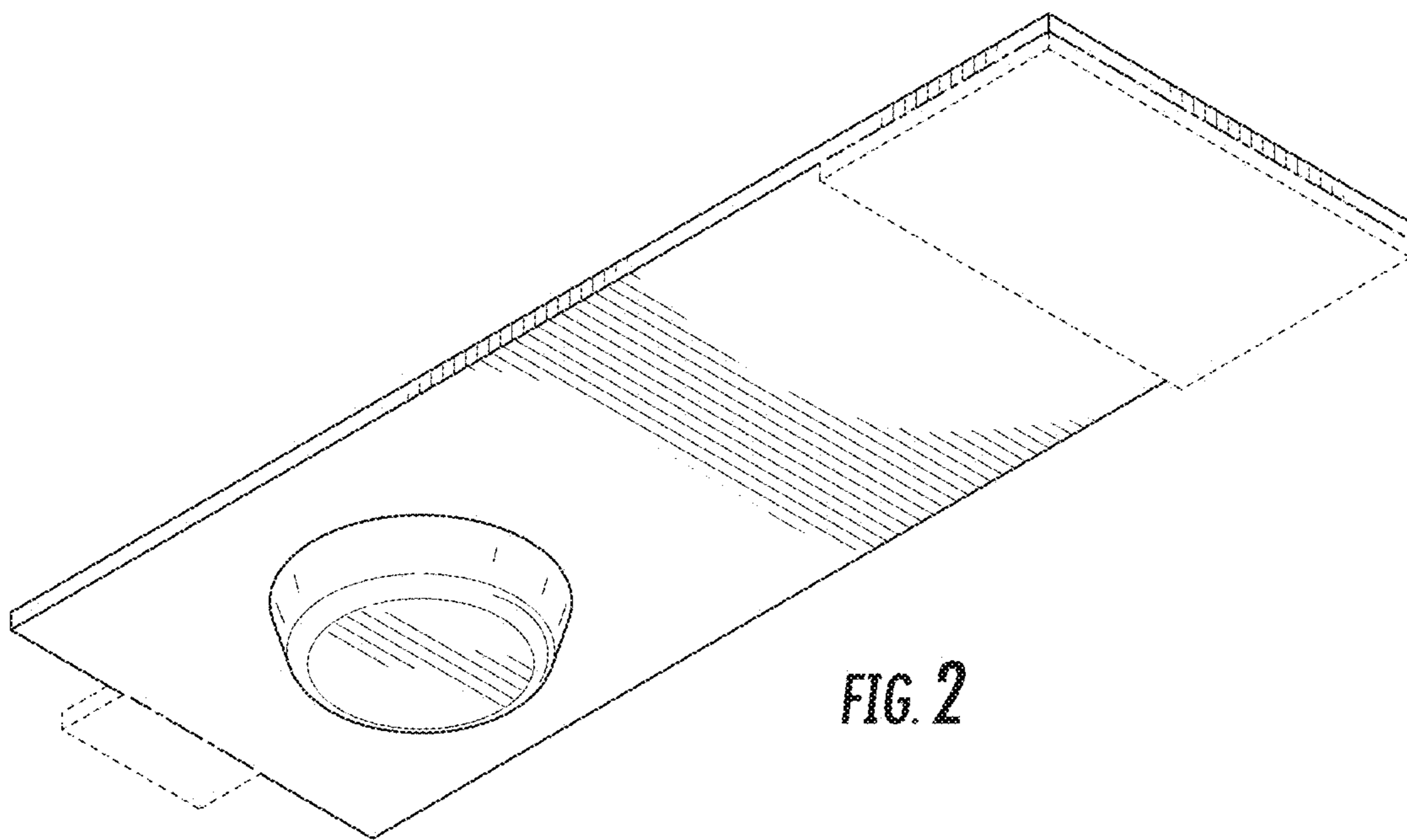
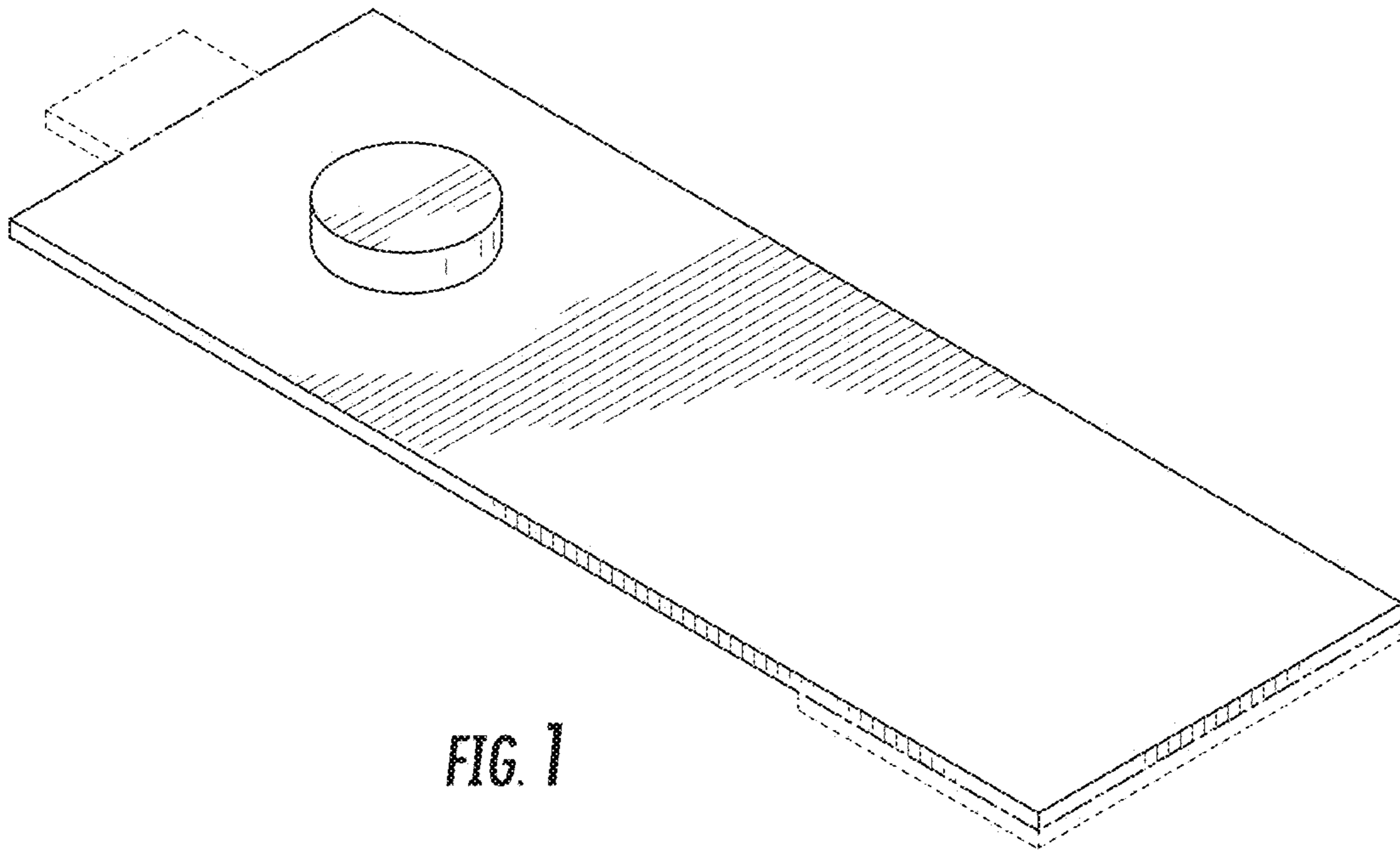
2,783,329 A 2/1957 Jackson  
 3,546,650 A 12/1970 Purer  
 3,601,660 A 8/1971 Brandt et al.  
 3,950,719 A 4/1976 Maxwell  
 4,286,246 A 8/1981 Jacques, Jr. et al.  
 4,570,145 A 2/1986 Carey  
 4,847,587 A 7/1989 Muller  
 4,931,762 A \* 6/1990 Fierro ..... H01H 71/0221  
 337/66  
 5,760,672 A \* 6/1998 Wang ..... H01H 71/62  
 337/66  
 5,828,284 A \* 10/1998 Huang ..... H01H 73/26  
 337/37  
 6,166,618 A 12/2000 Robertson et al.  
 6,307,460 B1 \* 10/2001 Yu ..... H01H 73/24  
 337/112  
 6,552,644 B2 \* 4/2003 Yu ..... H01H 73/30  
 200/277.1  
 6,664,884 B1 \* 12/2003 Yu ..... H01H 73/26  
 200/52 R  
 D486,791 S 2/2004 Franks, Jr.  
 D487,427 S 3/2004 Franks, Jr.  
 D508,676 S 8/2005 Franks, Jr.  
 7,232,971 B2 6/2007 Chen  
 7,241,176 B2 7/2007 Wang  
 D554,066 S \* 10/2007 Kondas ..... D13/133  
 D569,802 S \* 5/2008 Long ..... D13/133  
 7,385,473 B2 6/2008 Fabian et al.  
 D585,845 S 2/2009 Dennes  
 7,501,926 B2 3/2009 Watchorn et al.  
 7,514,872 B2 \* 4/2009 Smith ..... H01J 5/54  
 313/318.01

7,589,610 B2 \* 9/2009 Huang ..... H01H 71/16  
 337/56  
 7,626,482 B2 \* 12/2009 Huang ..... H01H 23/24  
 337/59  
 7,683,750 B1 \* 3/2010 Yu ..... H01H 73/14  
 200/314  
 D624,027 S 9/2010 Huang et al.  
 D652,830 S \* 1/2012 Nazar ..... D12/417  
 8,864,505 B2 10/2014 Chuang  
 D729,738 S \* 5/2015 Cole ..... D13/118  
 9,178,300 B1 11/2015 Huang  
 9,871,329 B1 1/2018 Lacey et al.  
 D818,357 S \* 5/2018 Cummings ..... D8/394  
 D852,747 S \* 7/2019 Zhuang ..... D13/133  
 2004/0055863 A1 \* 3/2004 Huang ..... H01H 23/205  
 200/553  
 2004/0219823 A1 11/2004 Greene et al.  
 2005/0287848 A1 12/2005 Kurek et al.  
 2006/0072275 A1 \* 4/2006 Yu ..... H01C 7/126  
 361/105  
 2006/0128232 A1 6/2006 Kim  
 2015/0070126 A1 3/2015 Bussa  
 2016/0204561 A1 7/2016 Stephens  
 2016/0314924 A1 10/2016 Gaudefroy et al.  
 2017/0117102 A1 \* 4/2017 Johansson ..... H01H 1/023  
 2018/0115146 A1 \* 4/2018 Murahari ..... H02H 1/0015  
 2020/0020499 A1 \* 1/2020 Lim ..... H01H 71/0264

OTHER PUBLICATIONS

Photographs of Two Prior Art Products—Appliance Switch and Heat Protector Products with Bimetallic Strip—External and Disassembled Views (2 pages) (date unknown, but prior to filing date of the present application).

\* cited by examiner



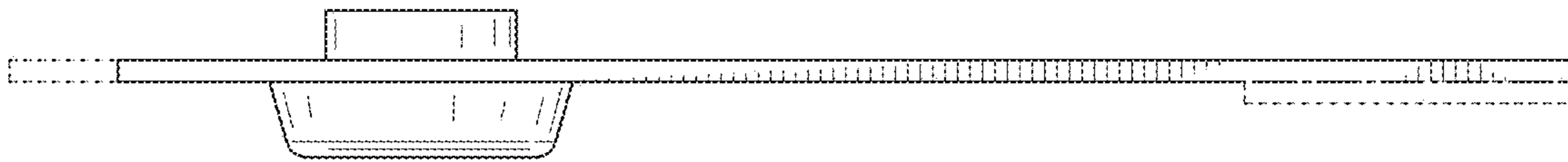


FIG. 3

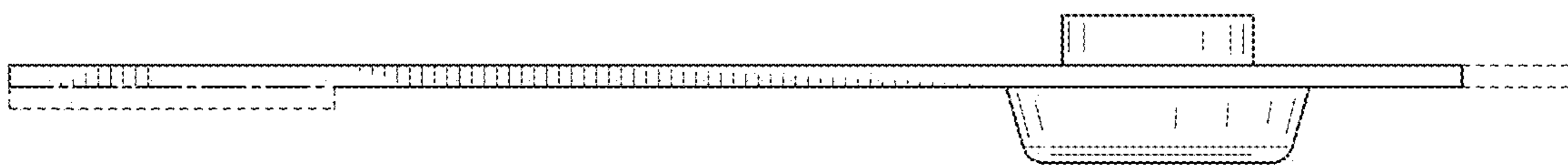


FIG. 4

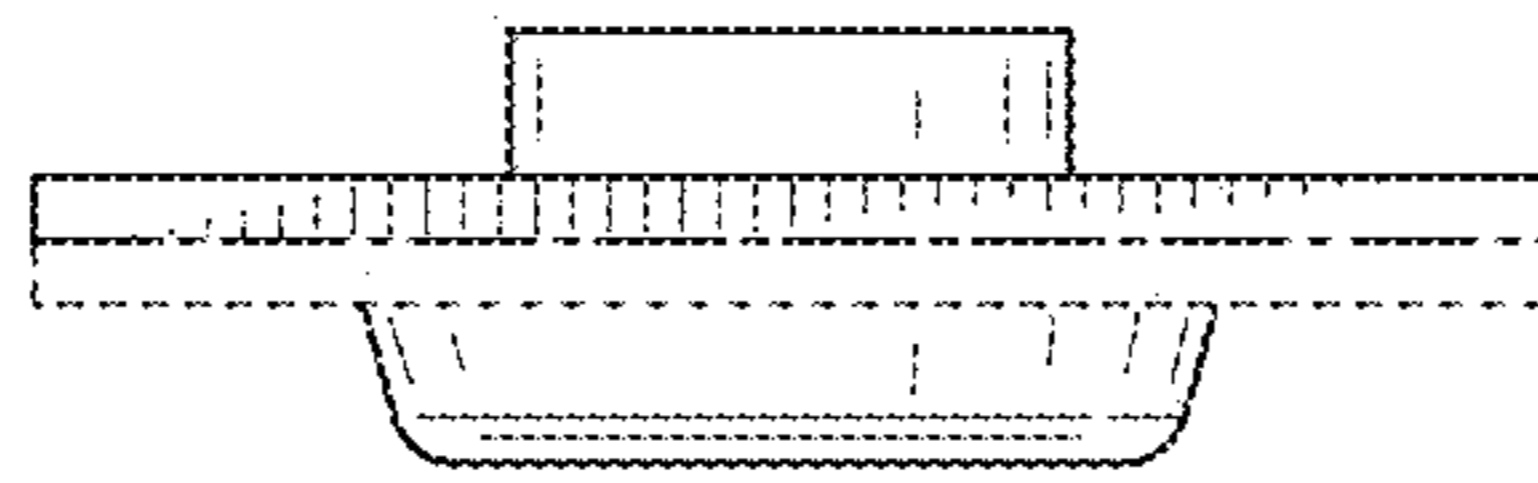


FIG. 5

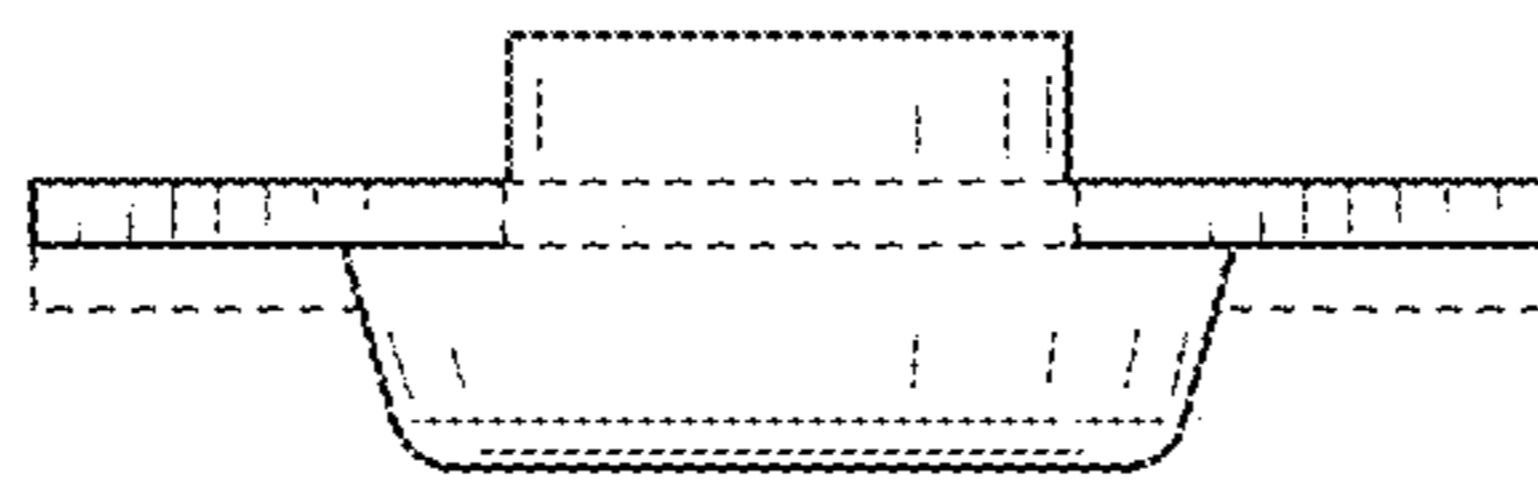
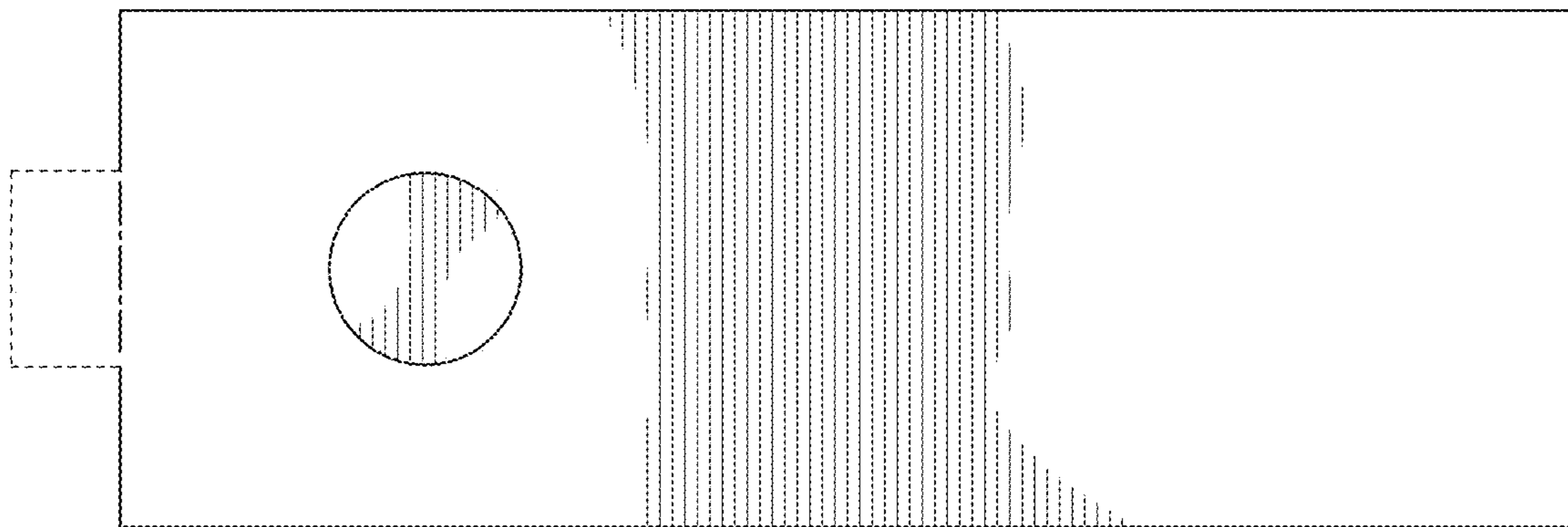
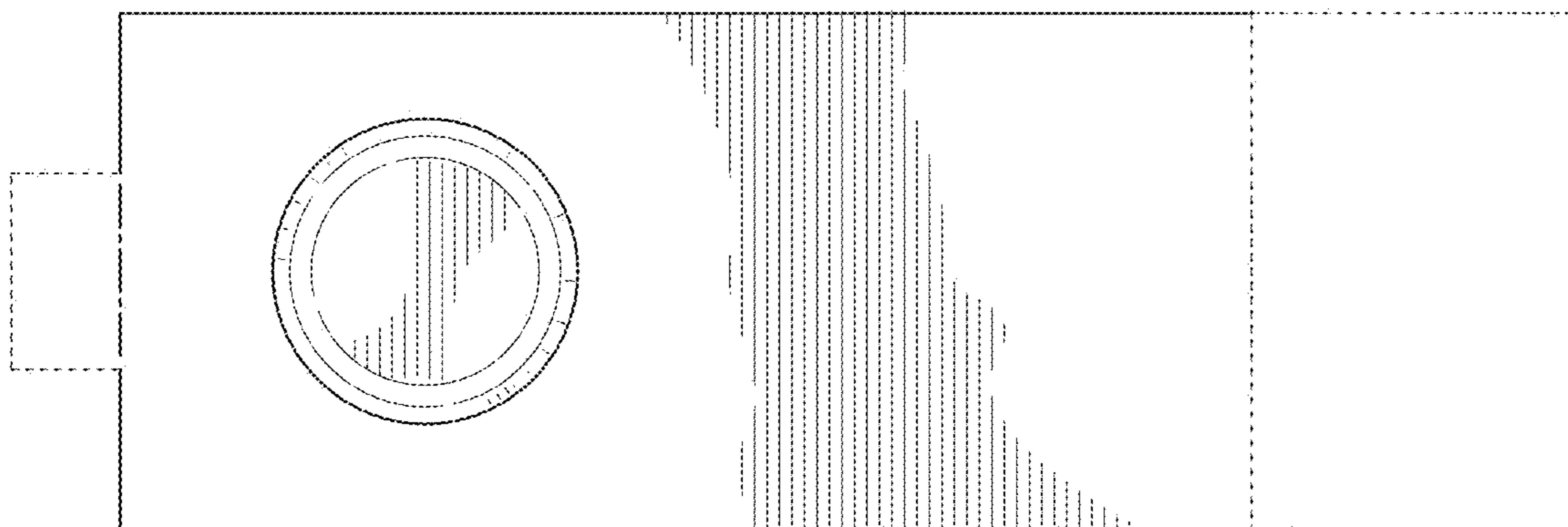


FIG. 6



*FIG. 7*



*FIG. 8*

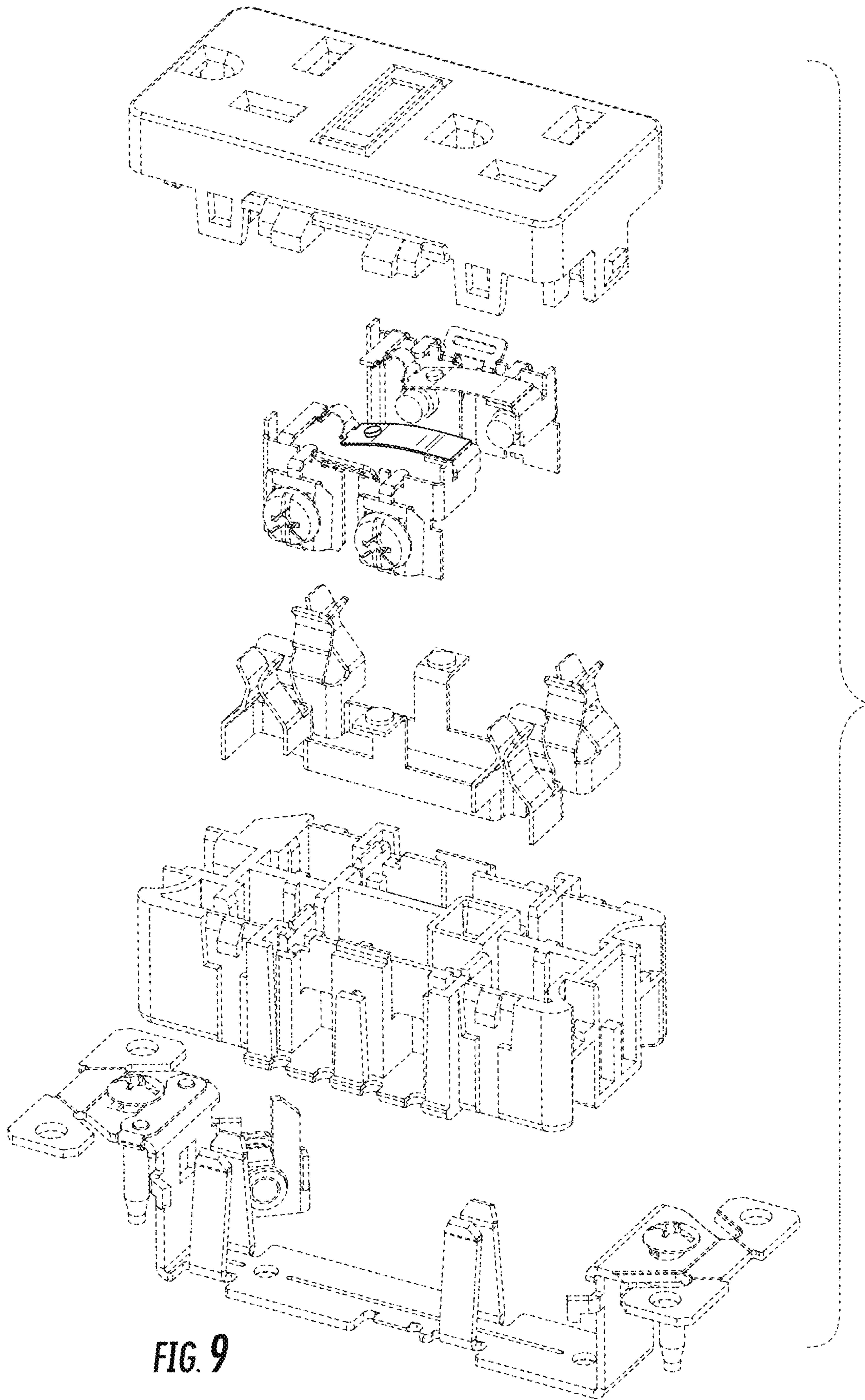


FIG. 9