



US00D884639S

(12) **United States Design Patent** (10) **Patent No.:** **US D884,639 S**
Jhun et al. (45) **Date of Patent:** **** May 19, 2020**

(54) **MULTIHEAD CABLE CONNECTOR**

(71) Applicant: **Crestron Electronics, Inc.**, Rockleigh, NJ (US)

(72) Inventors: **Sae Jhun**, Bayside, NY (US); **Wendy Feldstein**, Old Tappan, NJ (US)

(73) Assignee: **Crestron Electronics, Inc.**, Rockleigh, NJ (US)

(**) Term: **15 Years**

(21) Appl. No.: **29/678,114**

(22) Filed: **Jan. 25, 2019**

(51) **LOC (12) Cl.** **13-03**

(52) **U.S. Cl.**
USPC **D13/133; D13/146**

(58) **Field of Classification Search**
USPC D13/100–101, 133, 139.7, 146, 147, 154, D13/184, 199; D14/144, 239, 256, 393, D14/432, 435.1; D11/13, 29, 206; D21/470; D24/129; D8/349; D25/120, D25/128, 131, 133; D26/129
CPC H01R 13/53; H01R 13/52; H01R 13/5295; H01R 27/00; H01R 31/02; H01R 31/06; H05K 5/0217; H02J 7/0044
See application file for complete search history.

(56) **References Cited**

U.S. PATENT DOCUMENTS

D52,955 S *	2/1919	Hubbard	D13/155
D251,293 S *	3/1979	Trueblood	D13/137.2
D252,271 S *	7/1979	Jonsson	D13/147
D252,329 S *	7/1979	Jonsson	D13/147
D415,105 S *	10/1999	Lee	D13/139.1
D418,816 S *	1/2000	Wu	D13/146
D493,168 S *	7/2004	Yu	D13/147
D599,290 S *	9/2009	Lee	D13/137.2
D618,617 S *	6/2010	Lee	D13/137.2
D651,977 S *	1/2012	Lee	D13/139.1
10,034,398 B2 *	7/2018	Kurian	H05K 5/0217

(Continued)

OTHER PUBLICATIONS

HDMI Adapter, date N/A, [online], [site visited Mar. 19, 2020], Available from Internet URL: <https://www.dhgate.com/product/adapter-hdmi-female-to-hdmi-display-port/446239000.html#seo=WAP> (Year: NA).*

(Continued)

Primary Examiner — Karen E Kearney
Assistant Examiner — Michael J Chong

(74) *Attorney, Agent, or Firm* — Crestron Electronics, Inc.

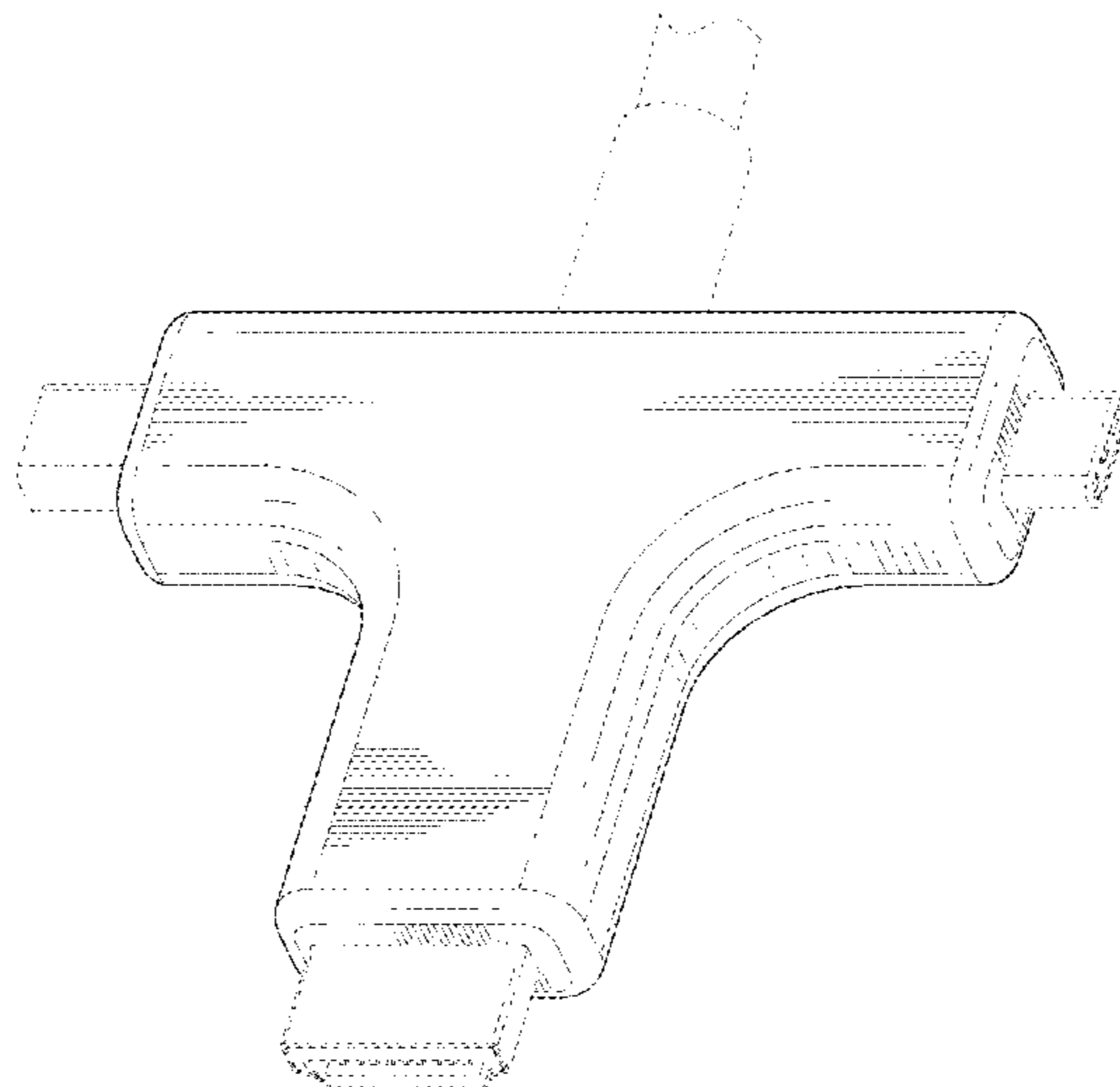
(57) **CLAIM**

The ornamental design for a multihead cable connector, as shown and described.

DESCRIPTION

FIGS. 1 and 2 illustrate a top-right perspective view of a multihead cable connector.
FIG. 3 illustrates bottom-left perspective view of a multihead cable connector.
FIG. 4 illustrates a front elevation view of a multihead cable connector.
FIG. 5 illustrates a back elevation view of a multihead cable connector.
FIG. 6 illustrates a right elevation view of a multihead cable connector.
FIG. 7 illustrates a left elevation view of a multihead cable connector.
FIG. 8 illustrates a top plan view of a multihead cable connector; and,
FIG. 9 illustrates a bottom plan view of a multihead cable connector.
The broken line portion of the figure drawings is included to show unclaimed subject matter only and forms no part of the claimed design.

1 Claim, 9 Drawing Sheets



(56)

References Cited

U.S. PATENT DOCUMENTS

2010/0167580 A1* 7/2010 Lee H01R 13/506
439/490

OTHER PUBLICATIONS

HDMI Adapter, dated N/A, [online], [site visited Mar. 19, 2020], Available from Internet, URL: https://www.beslist.nl/accessoires/d1033595657/D63A_DisplayPort_%2B_Mini_DP_%2B_UCB_C_-_Type-C_Male_to_HDMI_Female_3_in_1_Adapter.html?productIdentifier=00000171799725435657972180643 (Year: NA).*

T-Shape Connector, dated N/A, [online], [site visited Mar. 17, 2020], Available from Internet, URL: https://www.alibaba.com/product-detail/led-lighting-fitting-T-shape-connector_1959474050.html (Year: NA).*

* cited by examiner

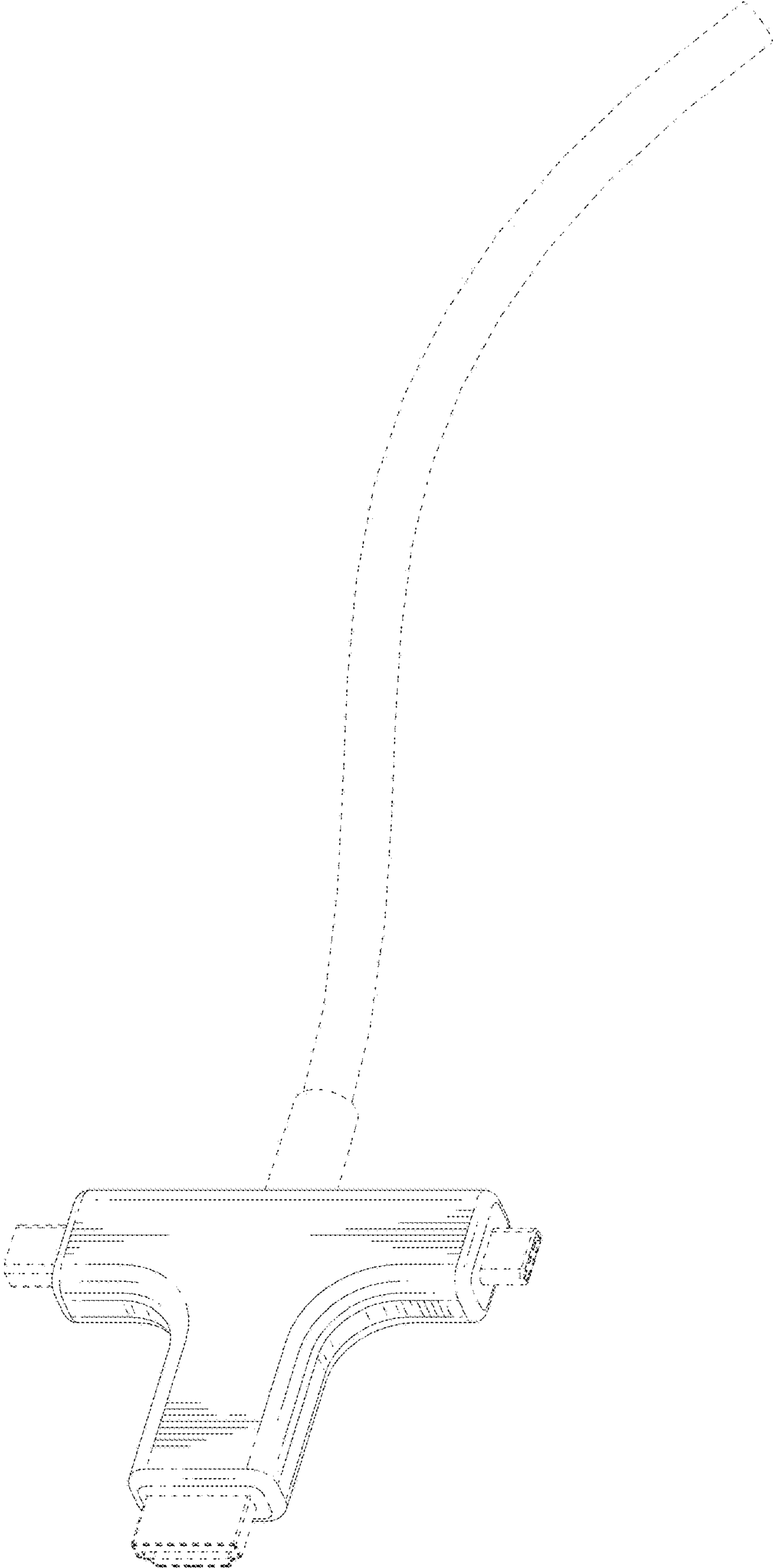


FIG. 1

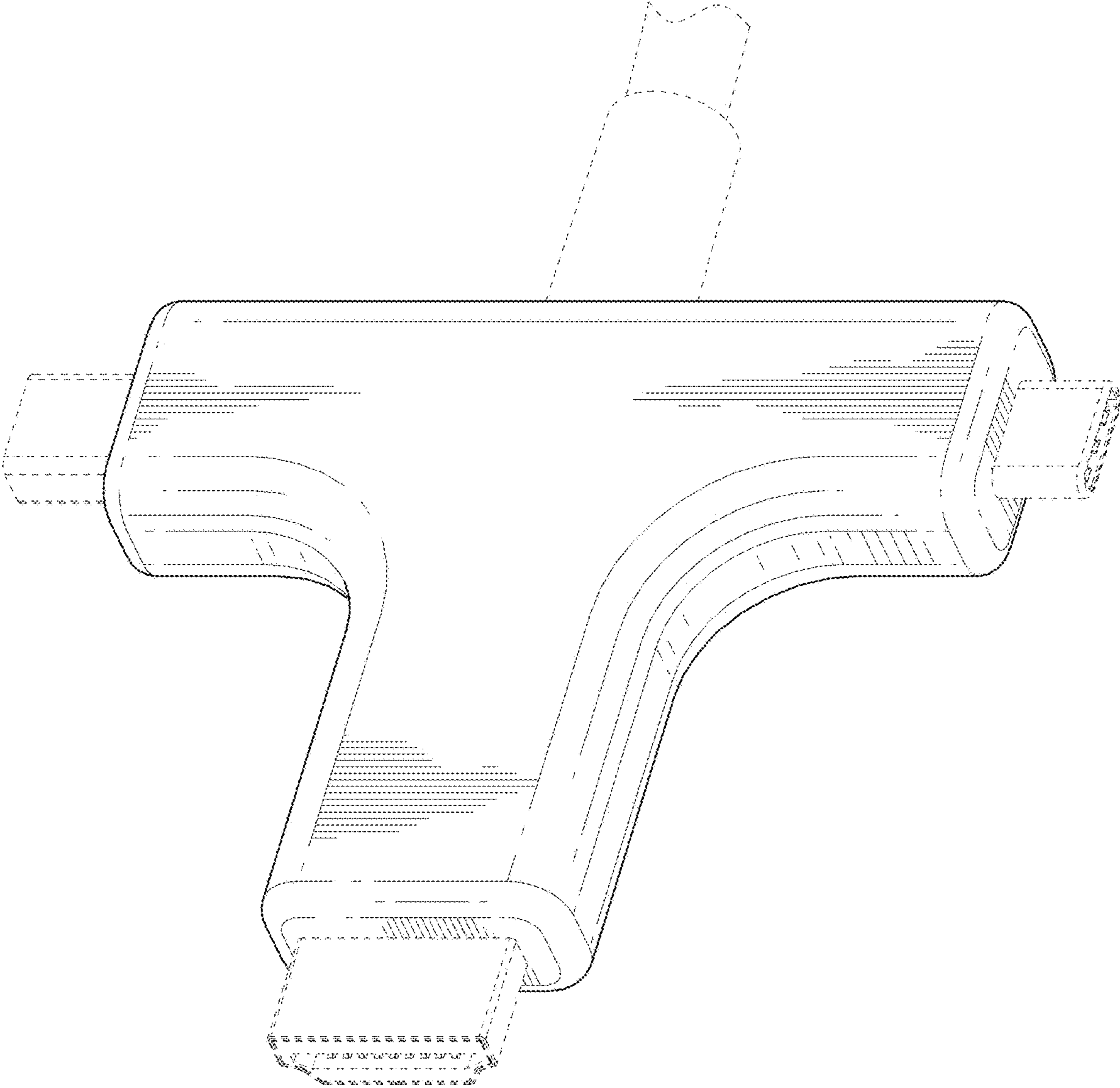


FIG.2

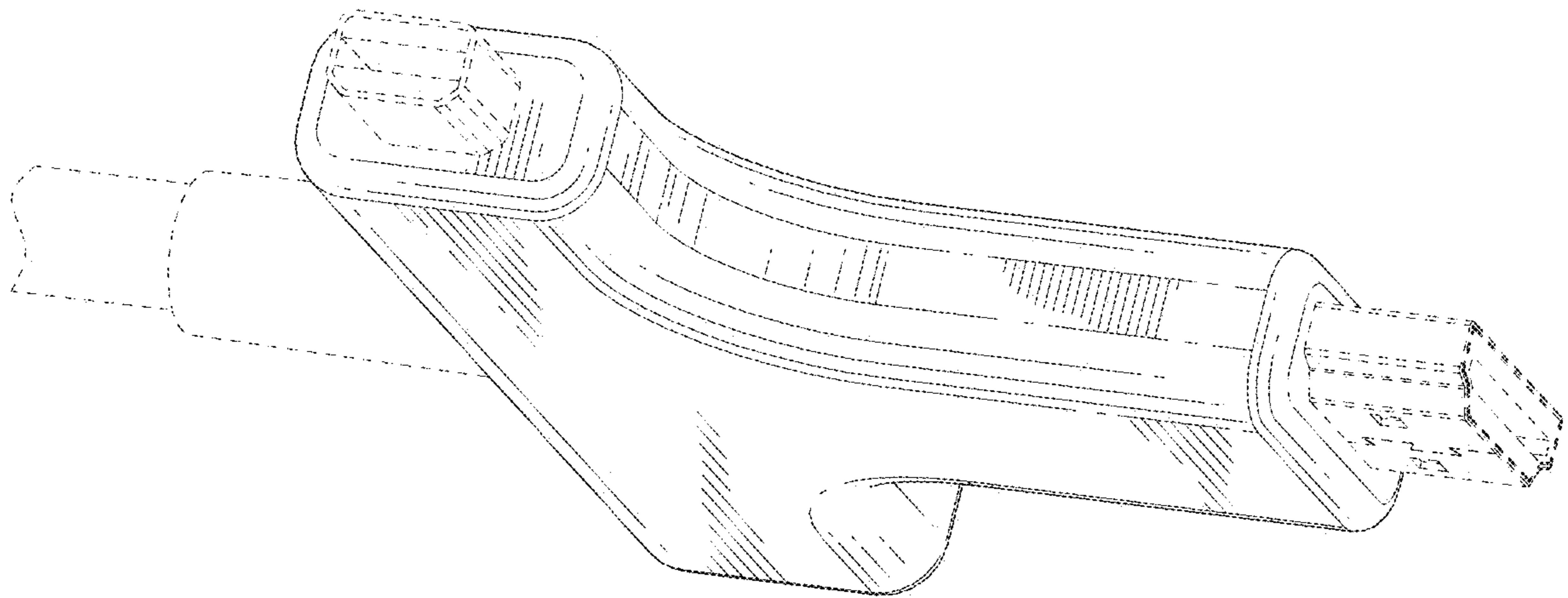


FIG. 3

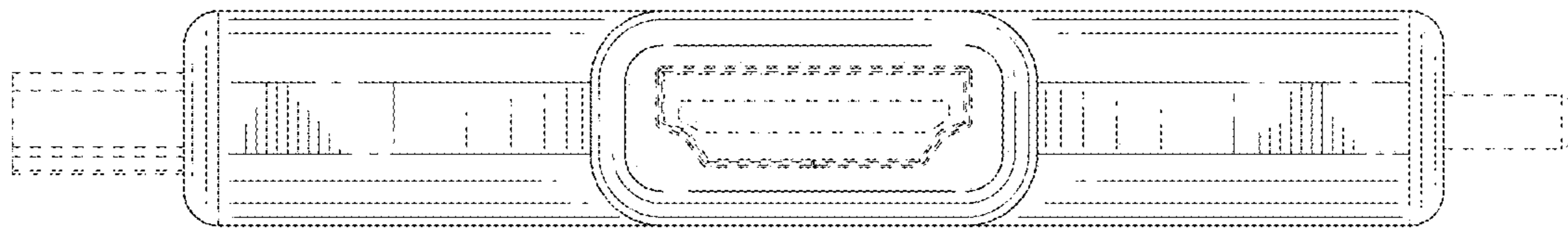


FIG. 4

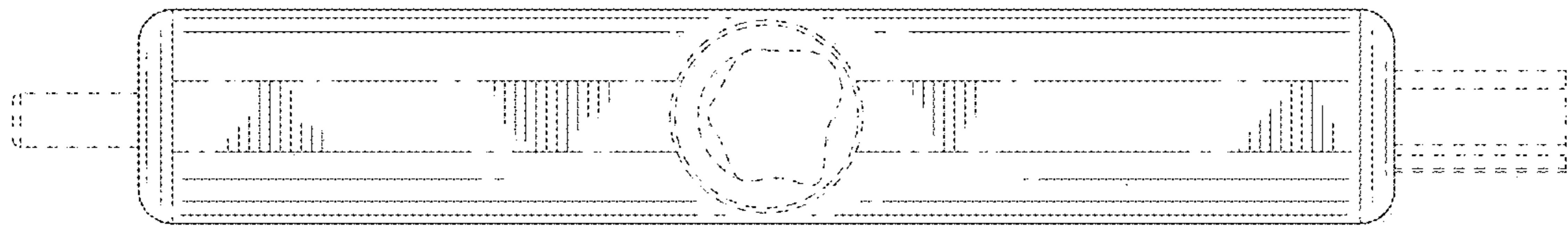


FIG. 5

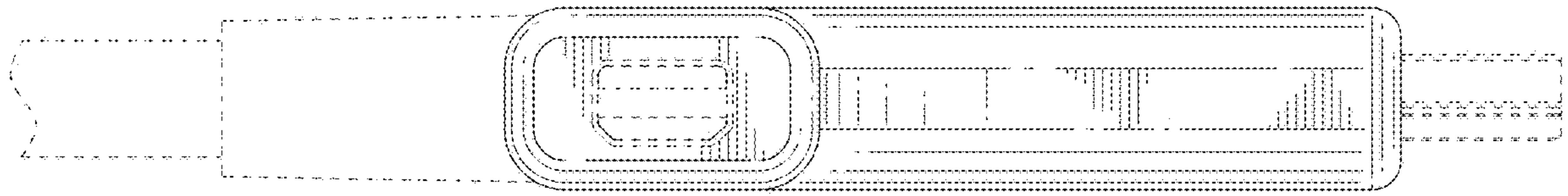


FIG. 6

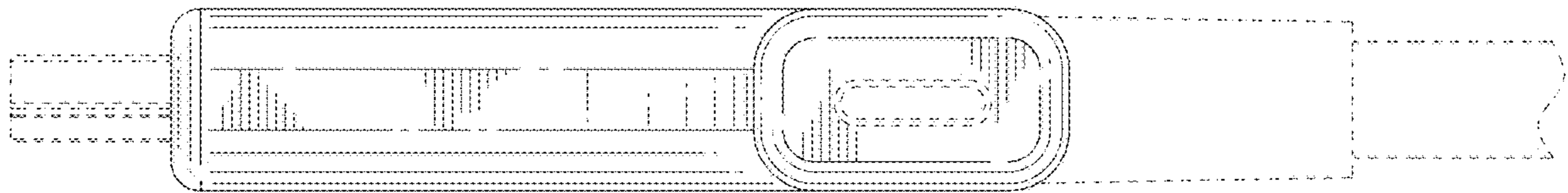


FIG. 7

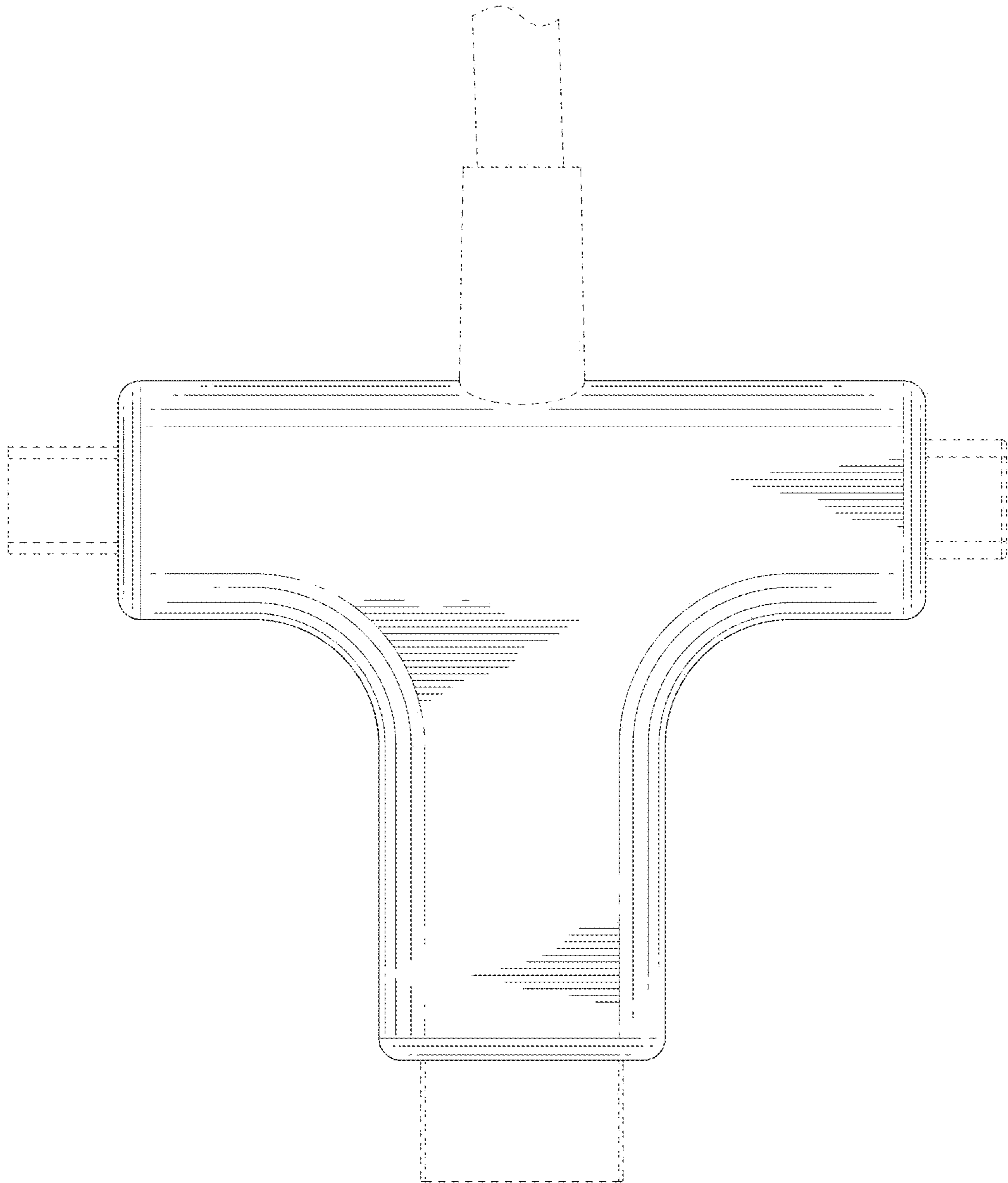


FIG. 8

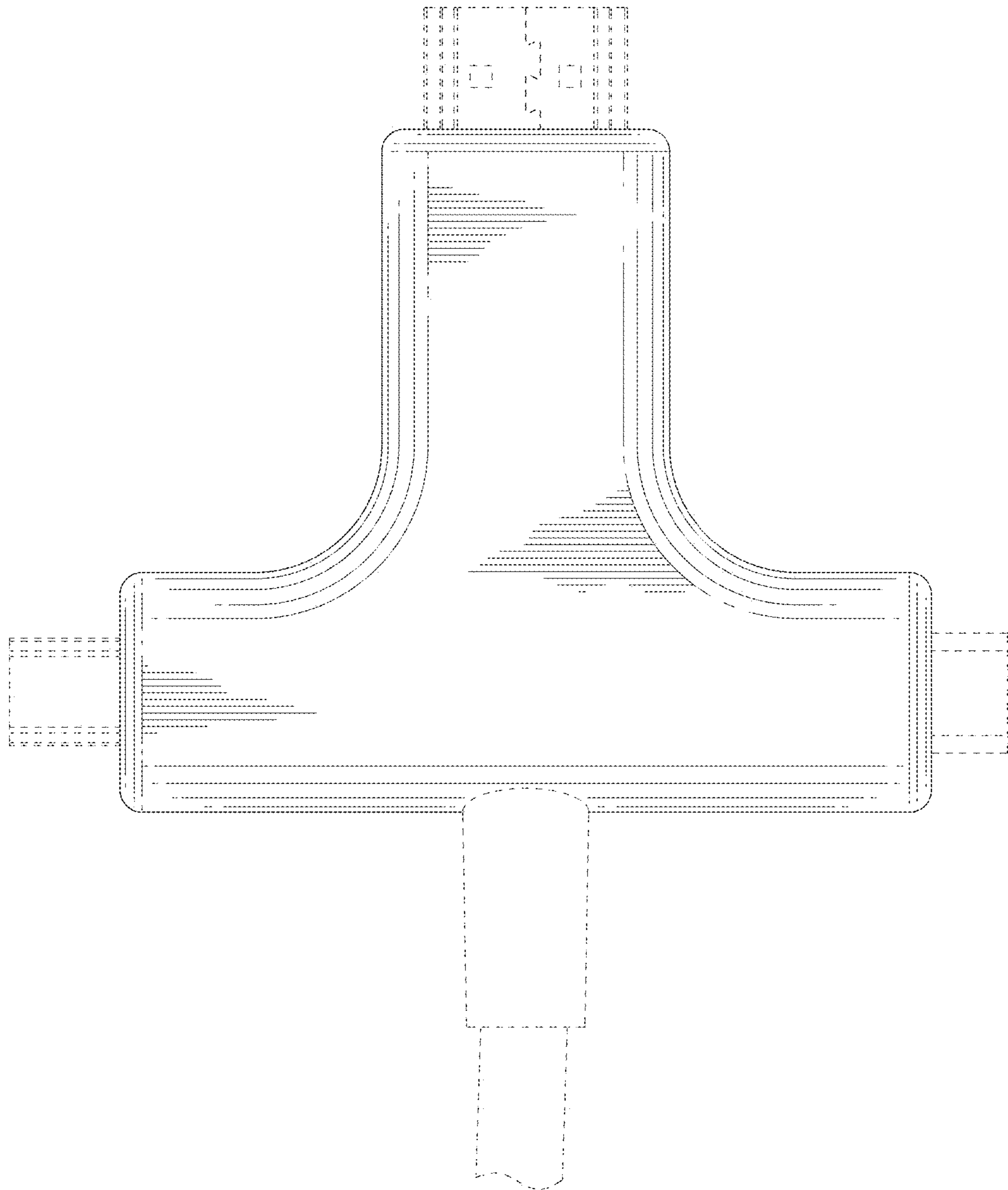


FIG. 9