



US00D884637S

(12) **United States Design Patent**
Okajima et al.

(10) **Patent No.:** **US D884,637 S**

(45) **Date of Patent:** **** May 19, 2020**

(54) **CONNECTOR FOR SOLENOID VALVES**

(71) Applicant: **CKD CORPORATION**, Komaki-shi,
Aichi (JP)

(72) Inventors: **Naoki Okajima**, Komaki (JP); **Hiroaki Banno**, Komaki (JP); **Sho Honda**, Komaki (JP); **Atsushi Fukuta**, Komaki (JP); **Mitsuhiro Kosugi**, Komaki (JP); **Hisashi Hatano**, Komaki (JP)

(73) Assignee: **CKD CORPORATION**, Aichi (JP)

(**) Term: **15 Years**

(21) Appl. No.: **29/648,821**

(22) Filed: **May 24, 2018**

(30) **Foreign Application Priority Data**

Nov. 28, 2017 (JP) 2017-026385

(51) **LOC (12) Cl.** **13-03**

(52) **U.S. Cl.**
USPC **D13/133**; D23/233; D13/166; D13/173

(58) **Field of Classification Search**
USPC D13/110, 118, 123, 133-135, 146, 147, D13/151, 154, 158-160, 173, 178, 182, D13/184, 199, 166; D23/233, 235, 237
CPC F15B 13/00; F15B 13/08; F16K 11/00; F16K 27/00; F16K 31/00; F16K 31/02; F16K 31/06; H01R 25/00; H05K 5/00; H05K 7/20; G06F 1/18; H02K 5/00; H02K 7/00; H02M 7/00; H02M 7/02
See application file for complete search history.

(56) **References Cited**

U.S. PATENT DOCUMENTS

2,951,505 A * 9/1960 Hare F15B 13/04
137/625.68
D273,699 S 5/1984 Loup et al.
D356,996 S 4/1995 Henderson et al.

D409,279 S * 5/1999 Hayashi D23/233
D416,309 S * 11/1999 Hayashi D23/233
D416,980 S * 11/1999 Sato D23/233
D419,216 S 1/2000 Sato et al.
D420,101 S * 2/2000 Hiramatsu D23/233
D426,615 S 6/2000 Sato et al.
D433,481 S 11/2000 Kaneko et al.
6,164,335 A * 12/2000 Hayashi F15B 13/0817
137/884

(Continued)

OTHER PUBLICATIONS

Office Action issued in U.S. Appl. No. 29/648,824 dated Jul. 11, 2019; 8 pages.

(Continued)

Primary Examiner — Angela J Lee
Assistant Examiner — Shawn T Gingrich

(74) *Attorney, Agent, or Firm* — Cantor Colburn LLP

(57) **CLAIM**

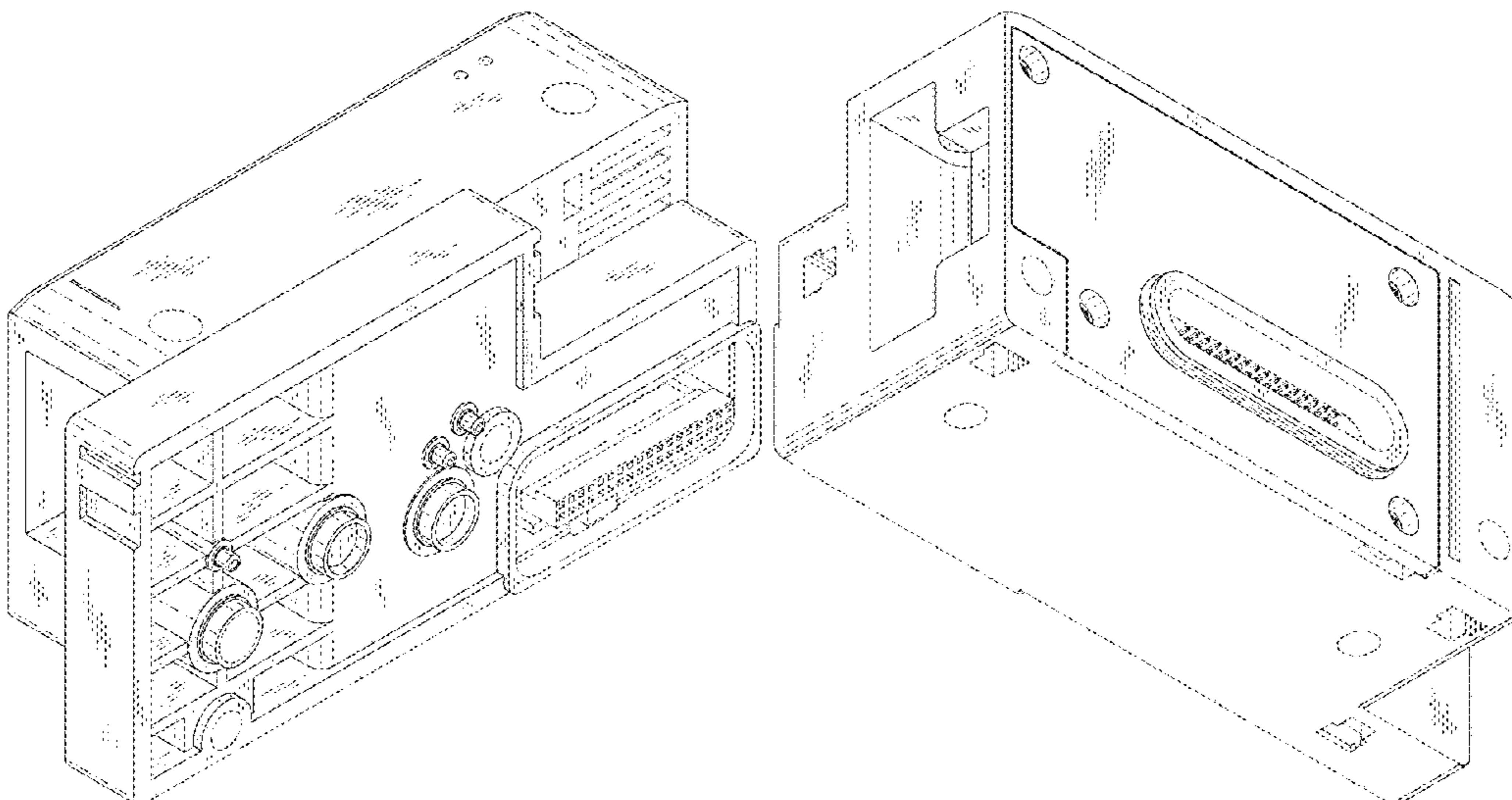
The ornamental design for a connector for solenoid valves, as shown and described.

DESCRIPTION

FIG. 1 is a front, top and right side perspective view of a connector for solenoid valves showing our new design; FIG. 2 is a rear, bottom and left side perspective view thereof; FIG. 3 is a front view thereof; FIG. 4 is a rear view thereof; FIG. 5 is a top plan view thereof; FIG. 6 is a bottom plan view thereof; FIG. 7 is a right side view thereof; and, FIG. 8 is a left side view thereof.

The broken lines illustrate portions of the connector for solenoid valves and form no part of the claimed design. The dash-dotted lines denote the boundary of the claim and form no part of the claimed design.

1 Claim, 8 Drawing Sheets



(56)

References Cited

U.S. PATENT DOCUMENTS

6,170,527 B1 * 1/2001 Hayashi F15B 13/0817
137/269
D439,634 S 3/2001 Hayashi et al.
D443,030 S * 5/2001 Kaneko D23/233
6,425,416 B1 * 7/2002 Narita F15B 13/0825
137/625.27
D533,254 S * 12/2006 Miyazoe D23/233
D607,419 S 1/2010 Kurisaki
D607,850 S 1/2010 Kurisaki
D720,043 S * 12/2014 Nishiyama D23/233
D753,798 S 4/2016 Suematsu et al.
D782,612 S 3/2017 Fujita et al.
D839,388 S 1/2019 Miyazoe et al.
D846,697 S 4/2019 Yoshimura et al.
2009/0045367 A1 * 2/2009 Lee F15B 13/0839
251/129.15
2018/0023723 A1 1/2018 Ito et al.

OTHER PUBLICATIONS

Office Action issued in U.S. Appl. No. 29/648,840 dated Jul. 11, 2019; 6 pages.

* cited by examiner

FIG.1

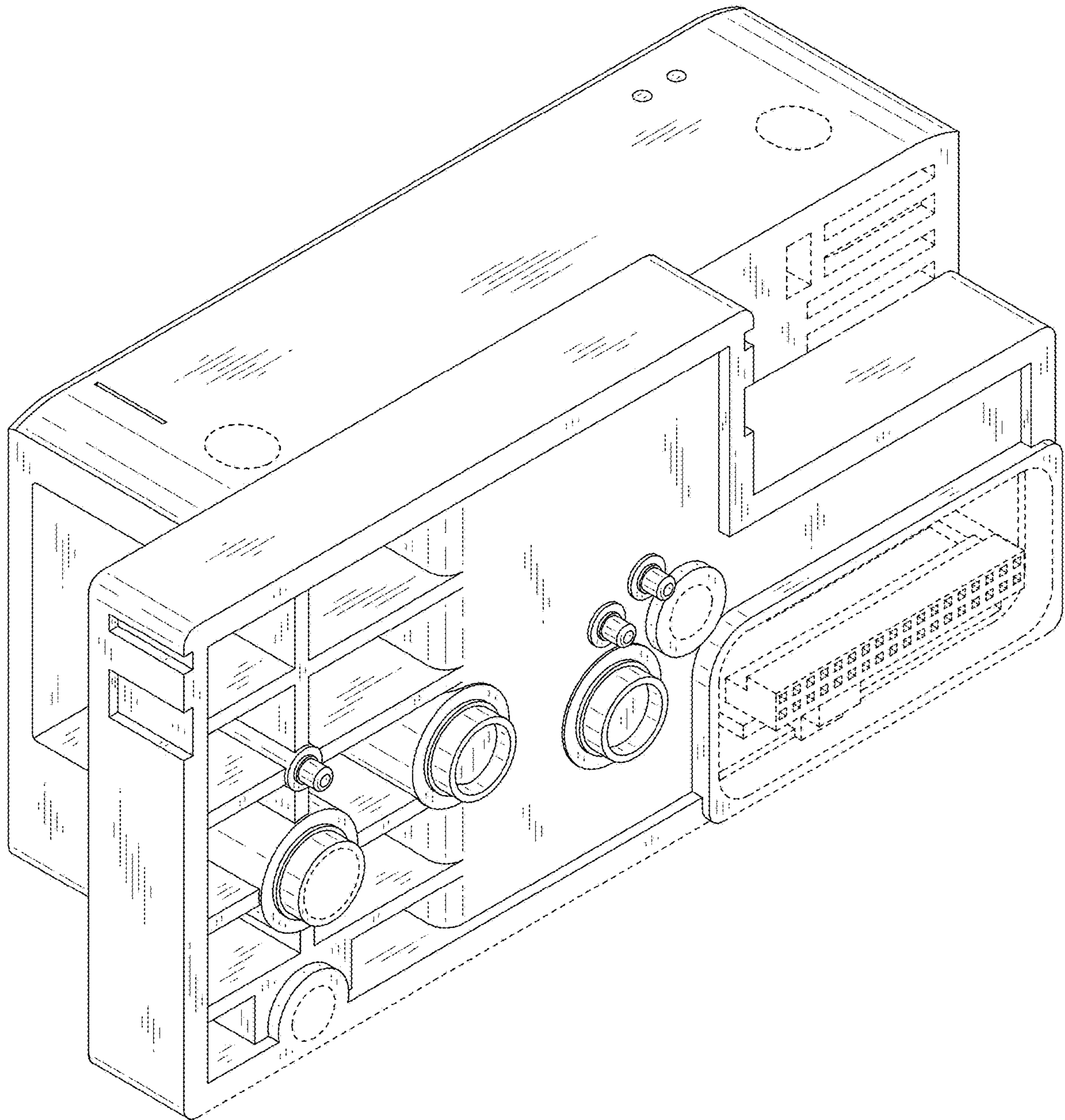


FIG.2

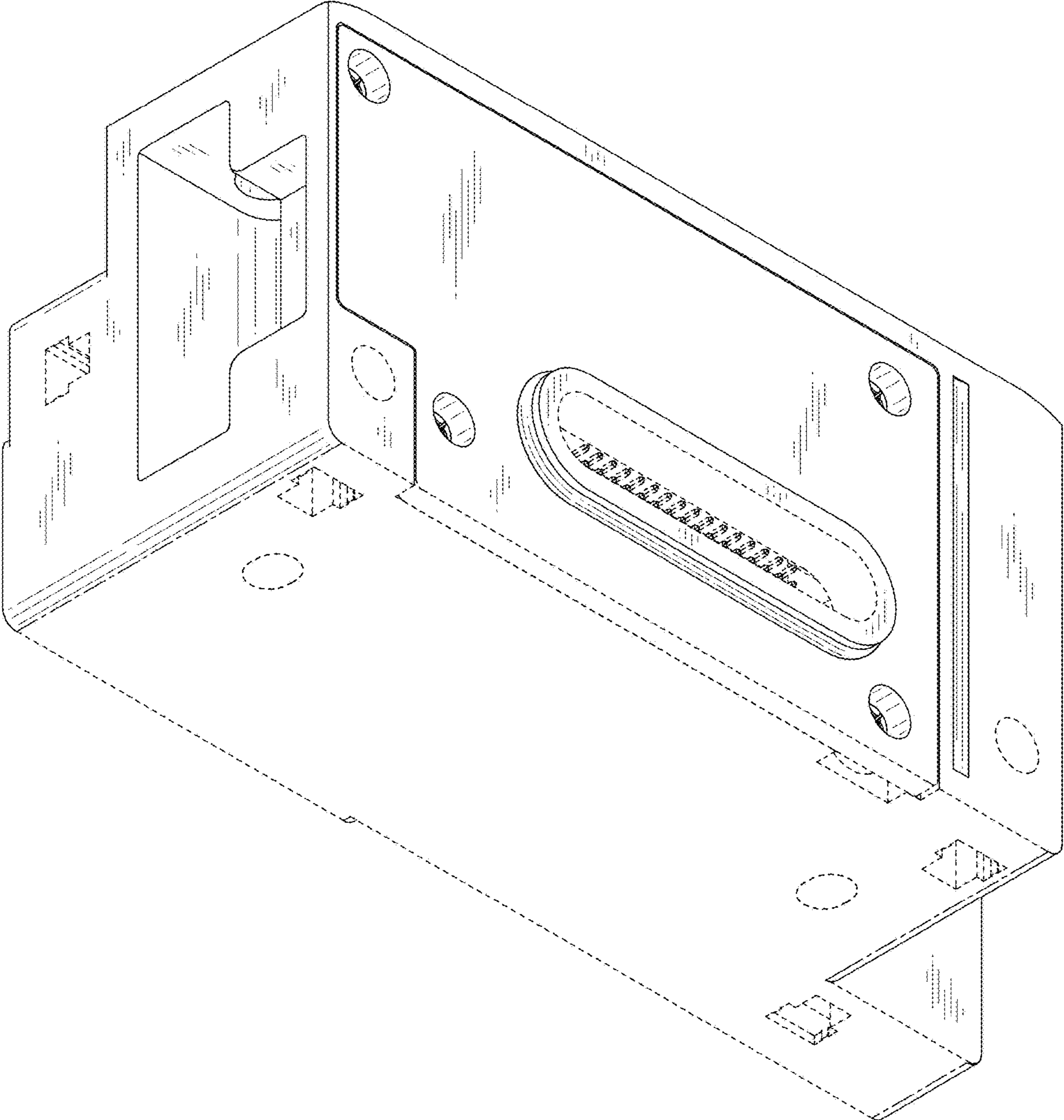


FIG.3

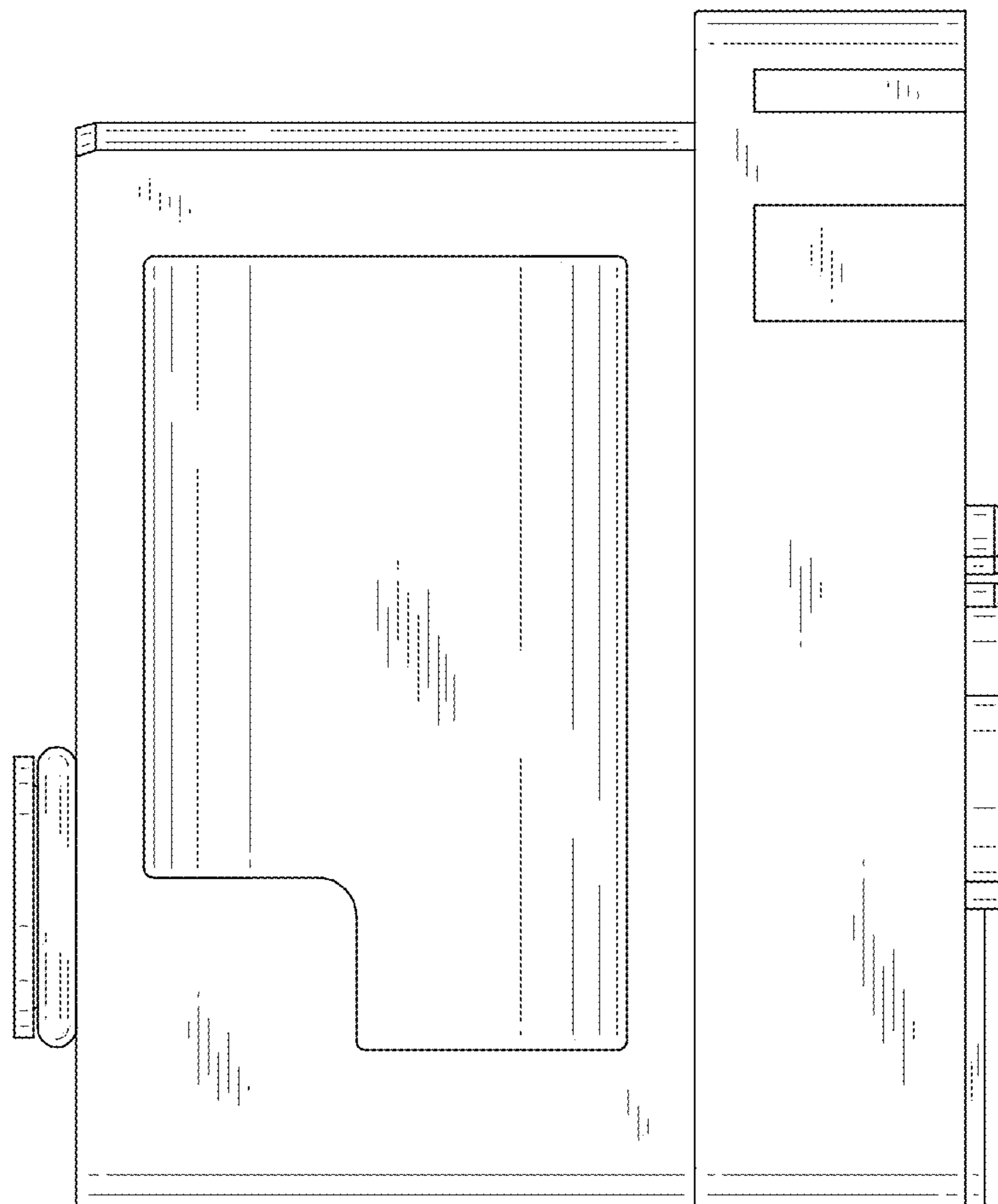


FIG.4

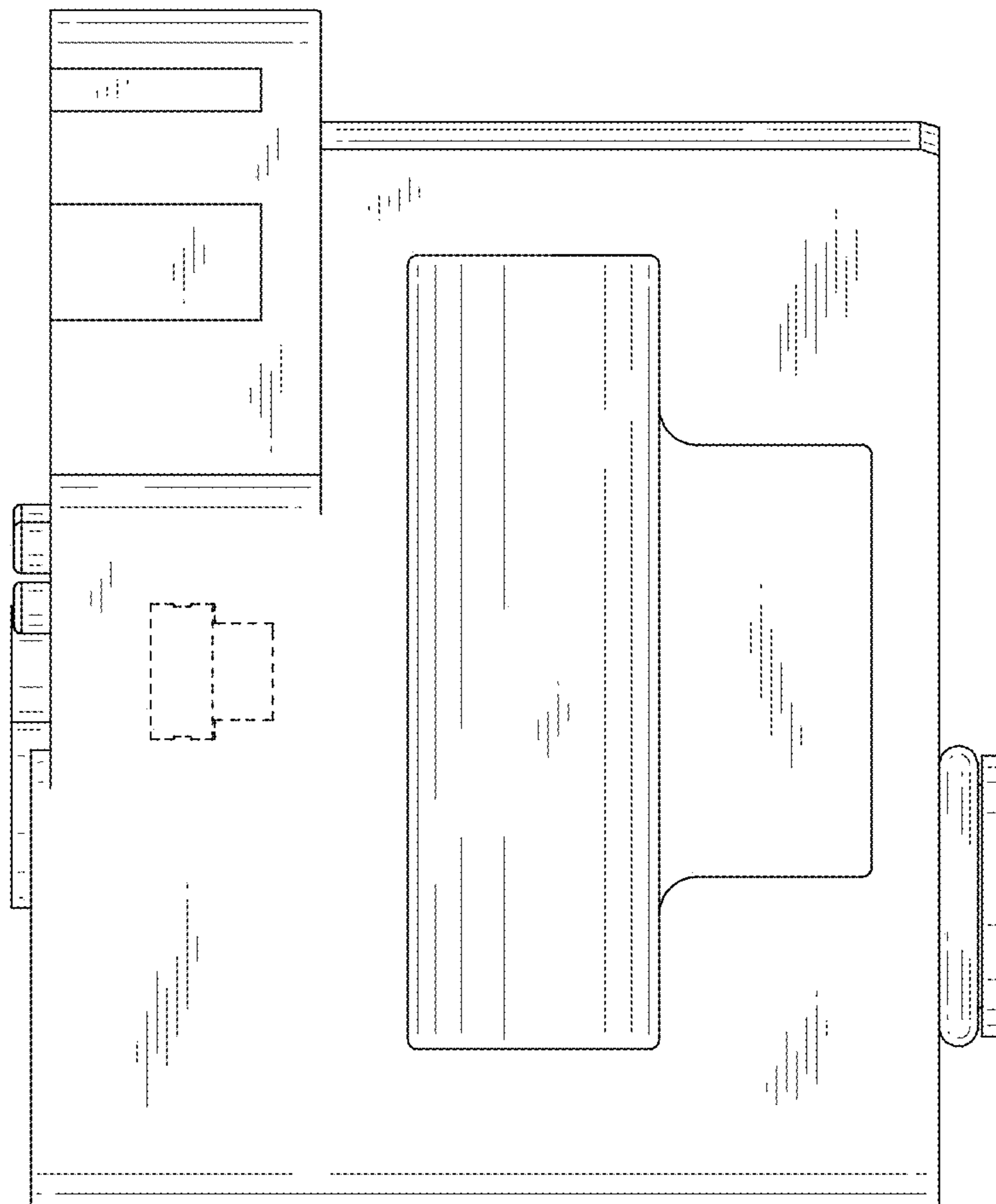


FIG.5



FIG.6

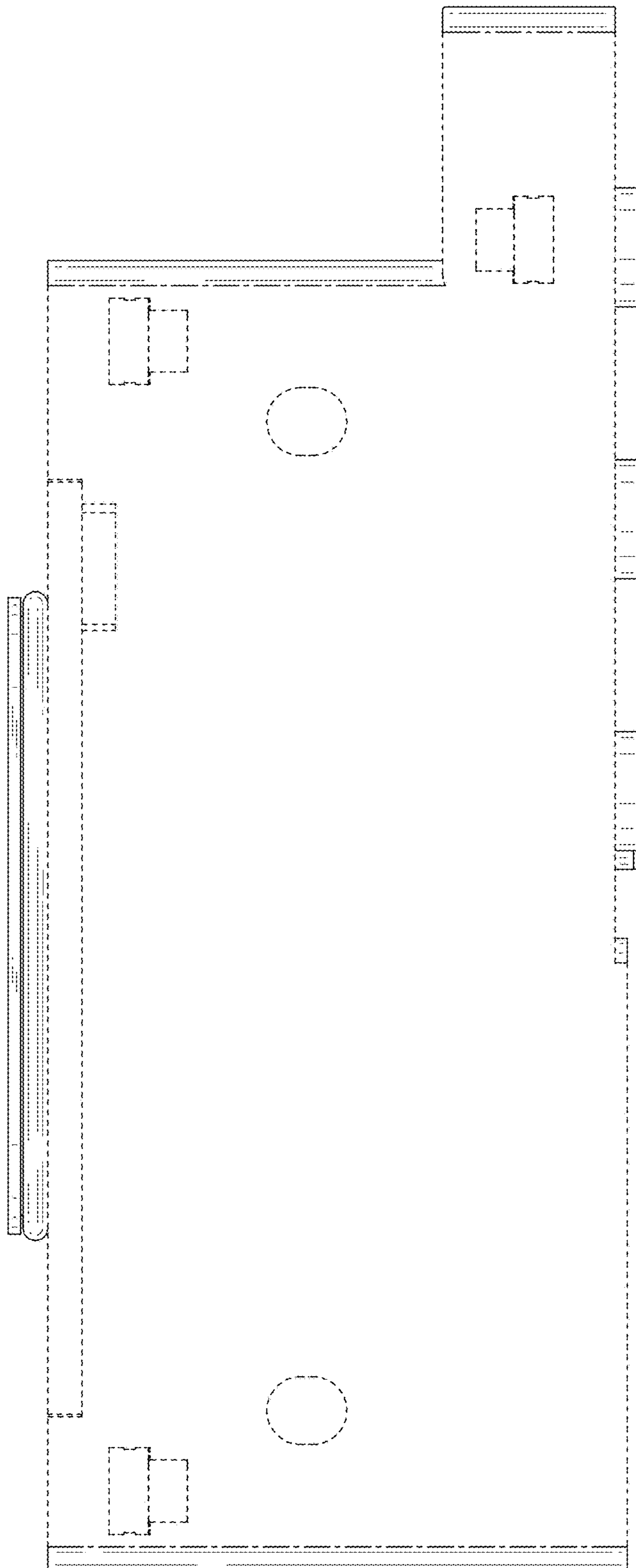


FIG.7

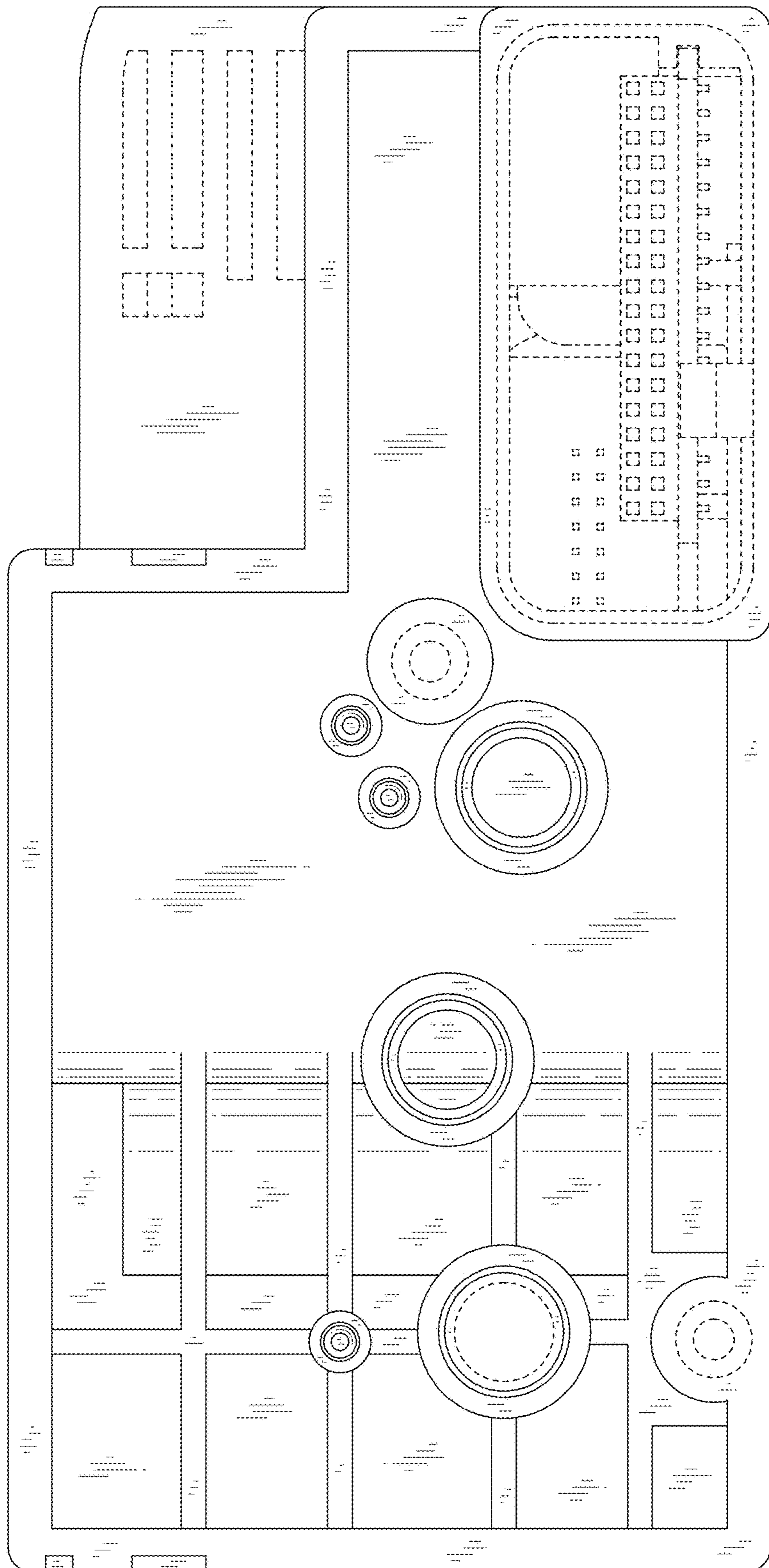


FIG.8

