



US00D884635S

(12) **United States Design Patent** (10) **Patent No.:** **US D884,635 S**
Mordarski et al. (45) **Date of Patent:** **** May 19, 2020**

(54) **FIBER OPTIC MODULE**
(71) Applicants: **Mark Mordarski**, Tewksbury, MA (US); **Bryan Lochman**, Somerville, MA (US); **Bien Chann**, Merrimack, NH (US)
(72) Inventors: **Mark Mordarski**, Tewksbury, MA (US); **Bryan Lochman**, Somerville, MA (US); **Bien Chann**, Merrimack, NH (US)
(73) Assignee: **PANASONIC INTELLECTUAL PROPERTY MANAGEMENT CO., LTD.**, Osaka (JP)
(**) Term: **15 Years**
(21) Appl. No.: **29/659,453**
(22) Filed: **Aug. 9, 2018**
(51) **LOC (12) Cl.** **13-03**
(52) **U.S. Cl.**
USPC **D13/123**
(58) **Field of Classification Search**
USPC D13/110, 112, 118, 123, 133, 152, 154, D13/158-162.1, 169-171, 173, 175, 178, D13/184, 199; D15/148
CPC B60R 16/03; B65D 5/04; B65D 5/0406; G02B 6/00; G02B 6/36; G02B 6/38; G02B 6/42; G02B 6/44; G02B 6/4452
See application file for complete search history.

D844,038 S * 3/2019 Alfano D15/148
D853,964 S * 7/2019 Tanabe D13/112
10,476,342 B2 * 11/2019 Biro B60B 27/0015
D869,528 S * 12/2019 Hoffmann D15/148
D870,784 S * 12/2019 Hirabayashi D15/148
2011/0000737 A1 * 1/2011 Nagase B62D 5/0406
180/444
2016/0082908 A1 * 3/2016 Nakano B62D 5/0406
307/10.1
2019/0227245 A1 * 7/2019 Miller G02B 6/3806

OTHER PUBLICATIONS

LED Fiber-Optic Module Streamlines Integration, dated Apr. 28, 2017, [online], [site visited Aug. 15, 2019]. Available from Internet, URL: https://www.globalspec.com/FeaturedProducts/Detail/ExcelitasTechnologies/LED_FiberOptic_Module_Streamlines_Integration/279657/0 (Year: 2017).*

* cited by examiner

Primary Examiner — Angela J Lee

Assistant Examiner — Shawn T Gingrich

(74) *Attorney, Agent, or Firm* — Morgan, Lewis & Bockius LLP

(57) **CLAIM**

The ornamental design for a fiber optic module, substantially as shown and described.

DESCRIPTION

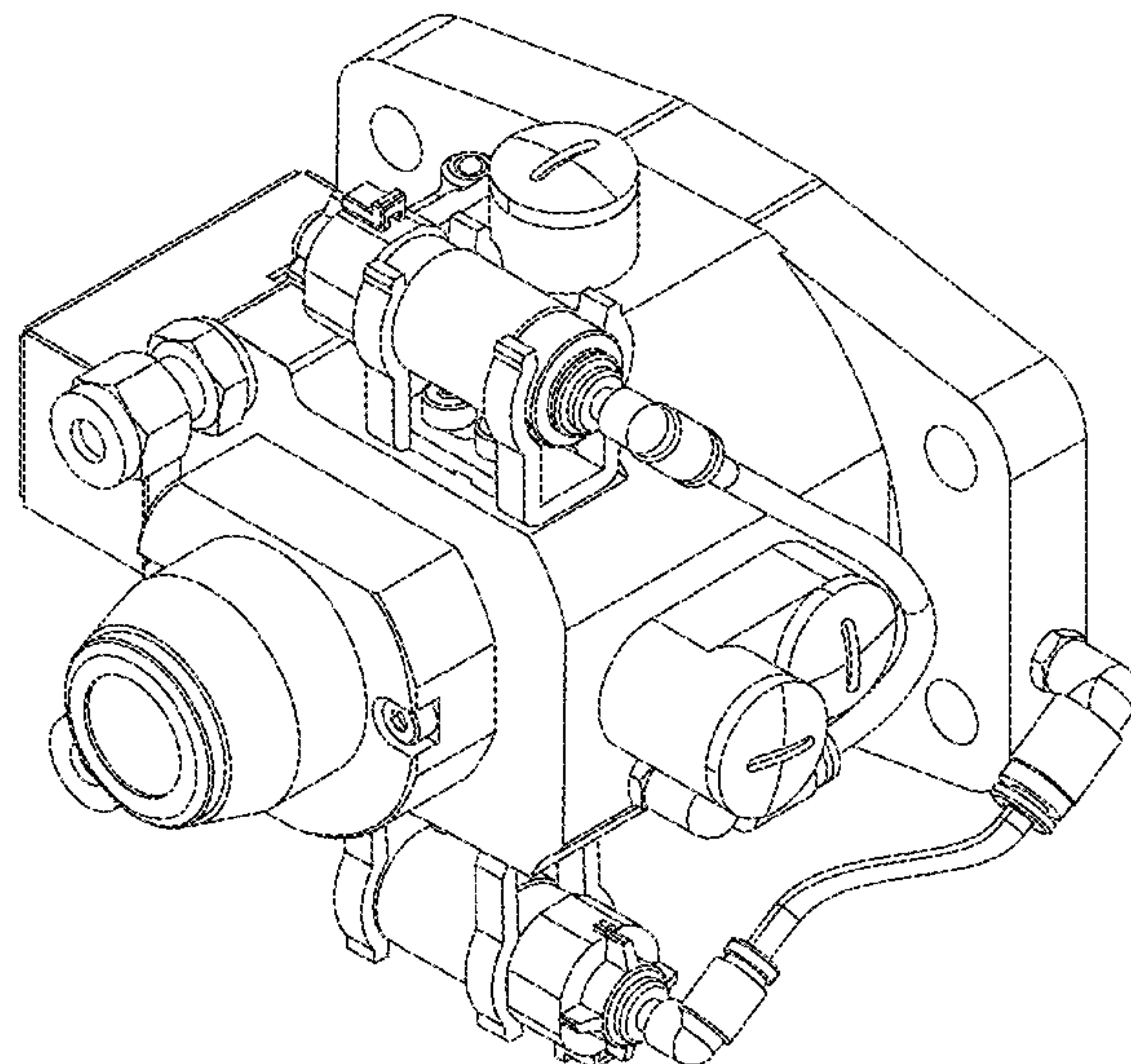
FIG. 1 is a perspective view of a fiber optic module incorporating the design;
FIG. 2 is a front view thereof;
FIG. 3 is a back view thereof;
FIG. 4 is a left-side elevation view thereof;
FIG. 5 is a right-side elevation view thereof;
FIG. 6 is a top view thereof; and,
FIG. 7 is a bottom view thereof.
The broken lines in the drawings illustrate portions of the fiber optic module that form no part of the claimed design.

1 Claim, 7 Drawing Sheets

(56) **References Cited**

U.S. PATENT DOCUMENTS

1,951,001 A * 3/1934 Weingartner F01D 15/02
74/399
D138,776 S * 9/1944 Lear D13/112
D140,204 S * 1/1945 Lear D13/112
D685,404 S * 7/2013 Andersson D15/148
D725,050 S * 3/2015 Tsugawa D13/171
D837,165 S * 1/2019 Gagne D13/158



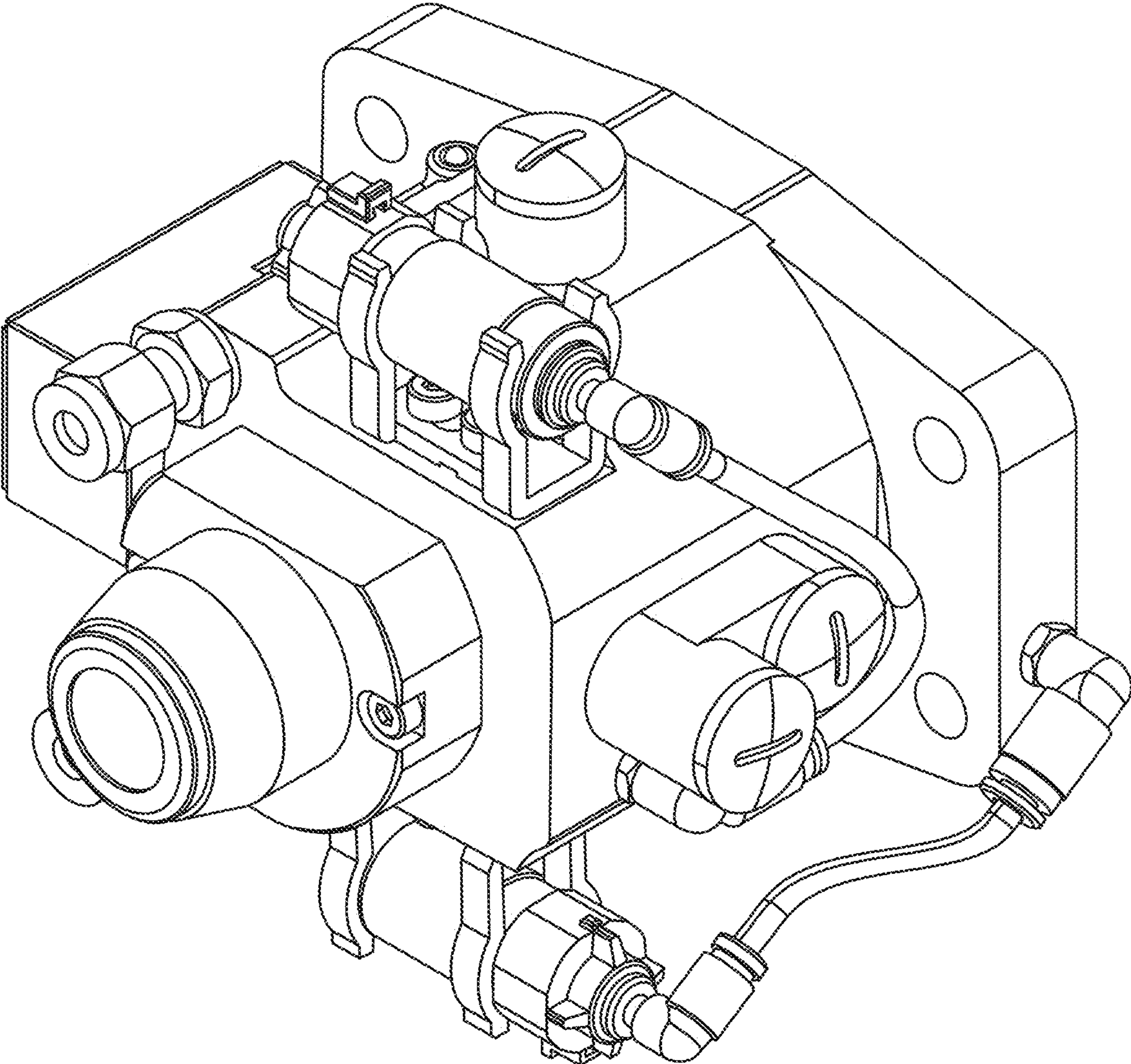


FIG. 1

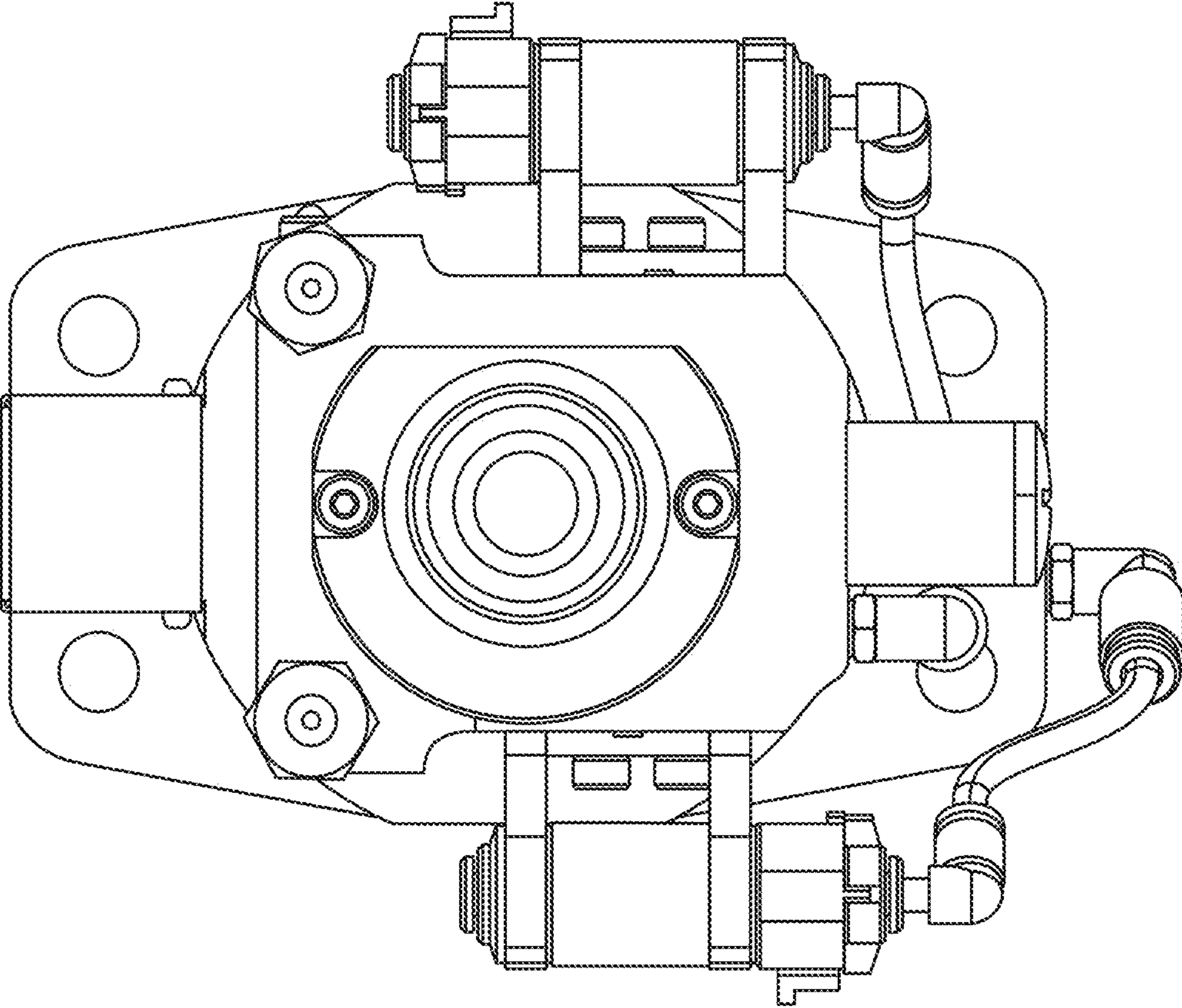


FIG. 2

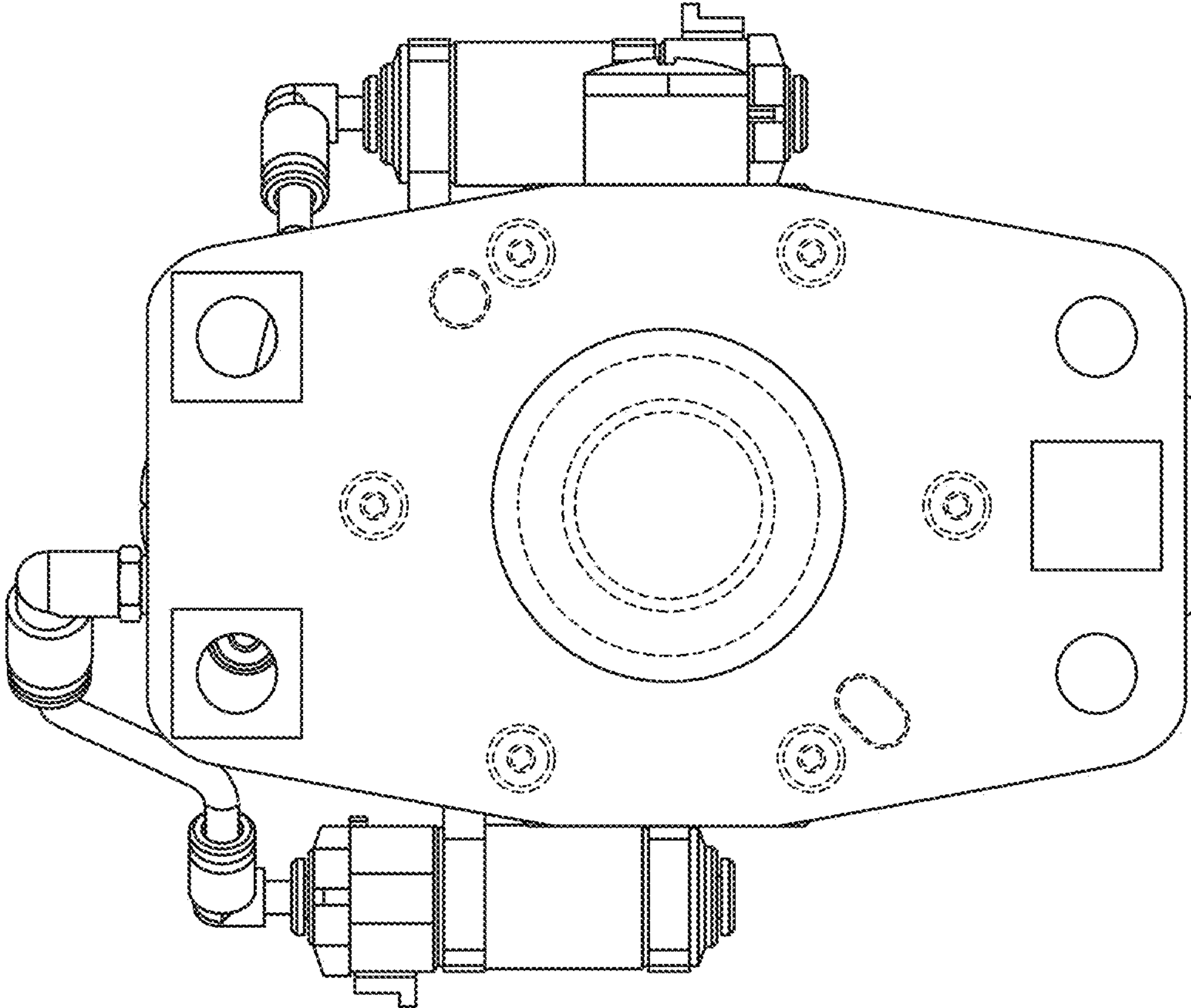


FIG. 3

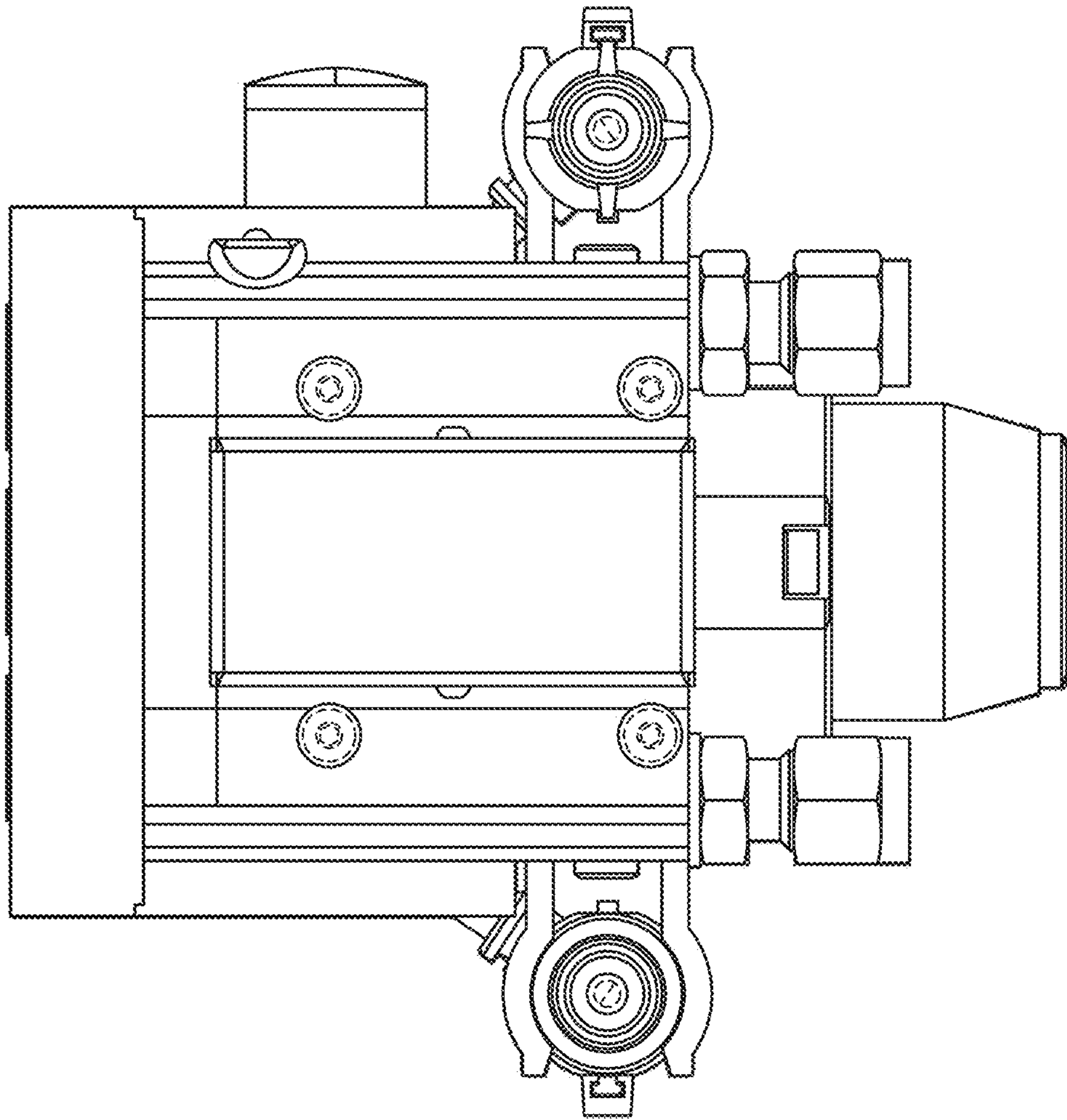


FIG. 4

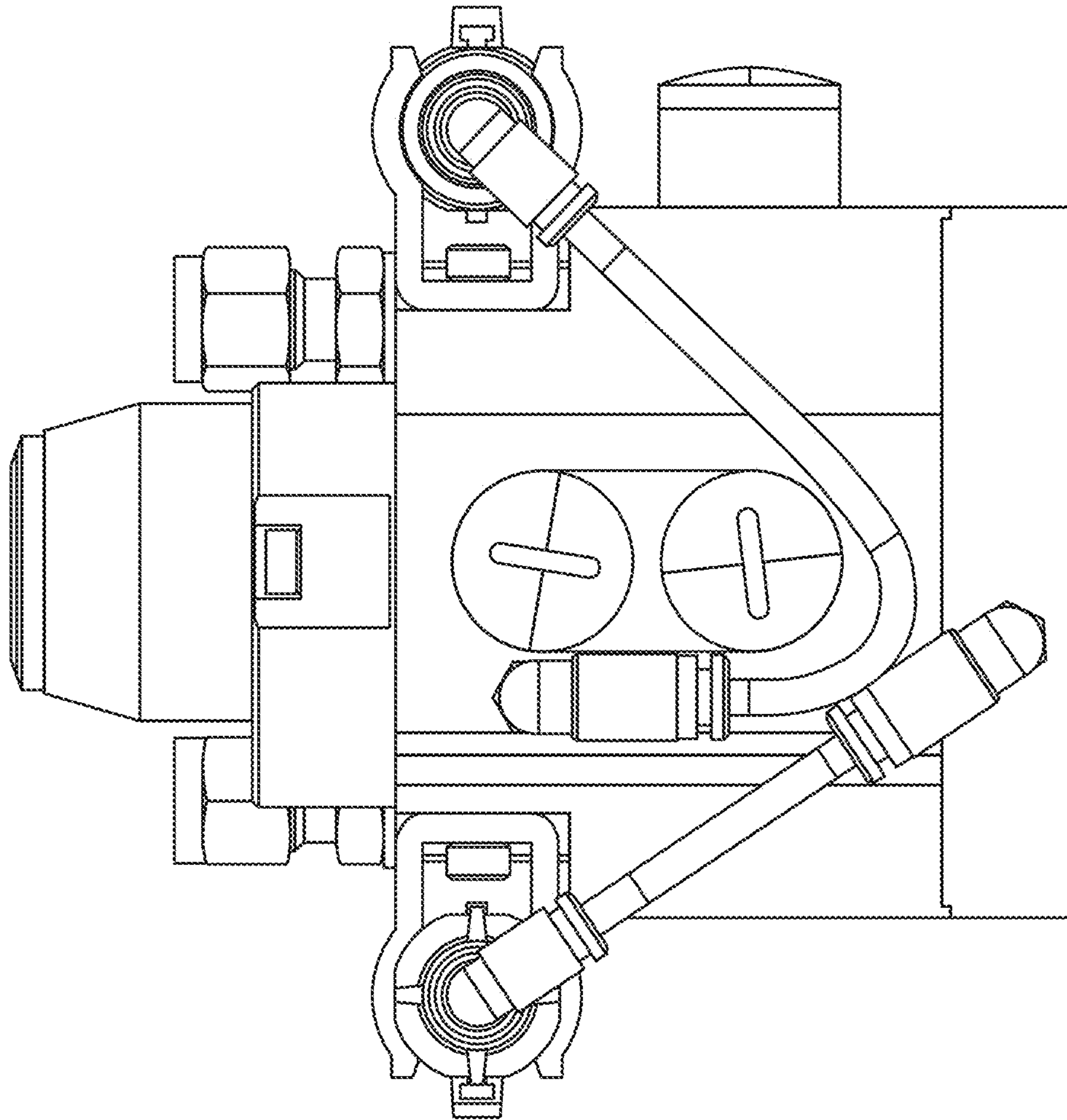


FIG. 5

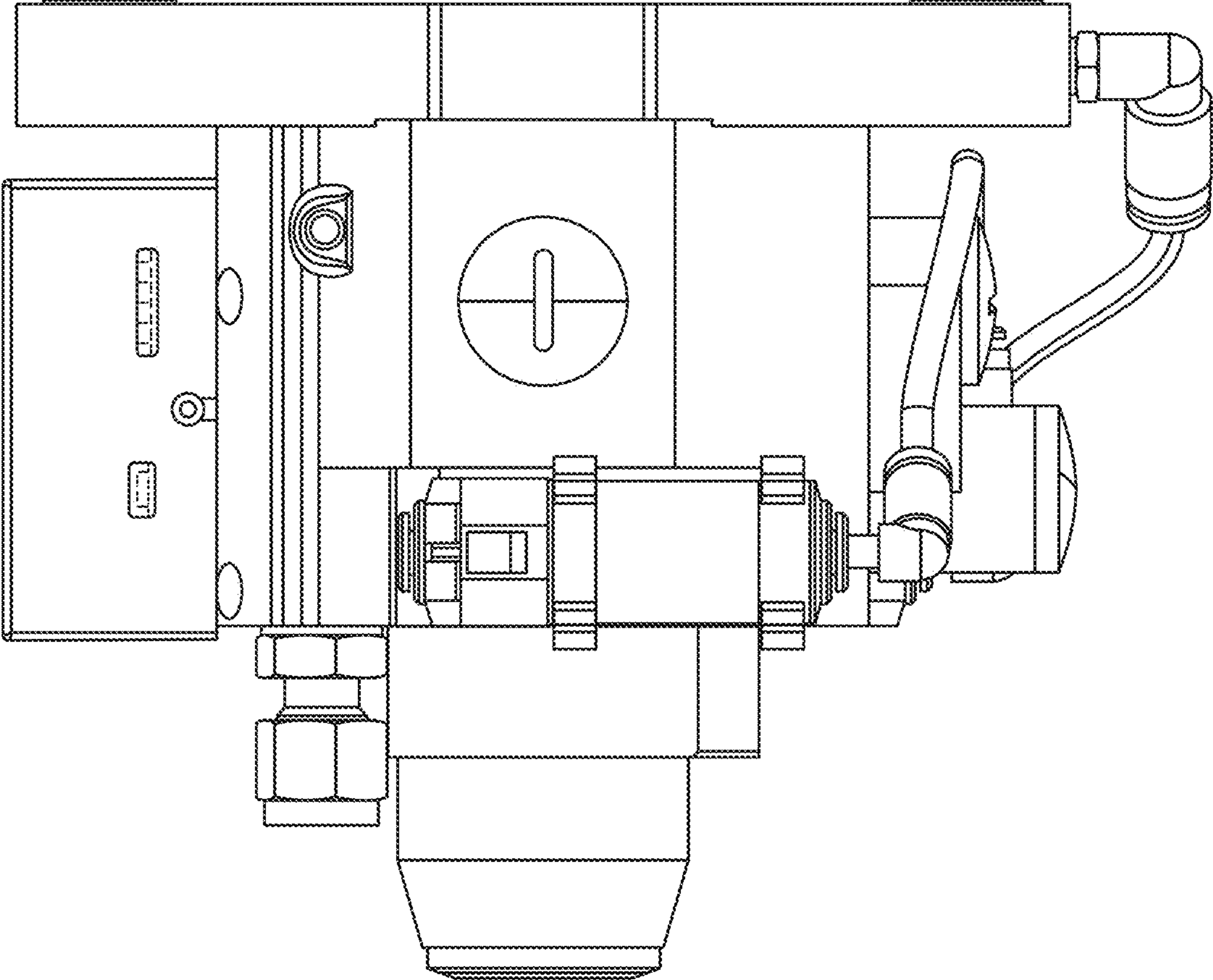


FIG. 6

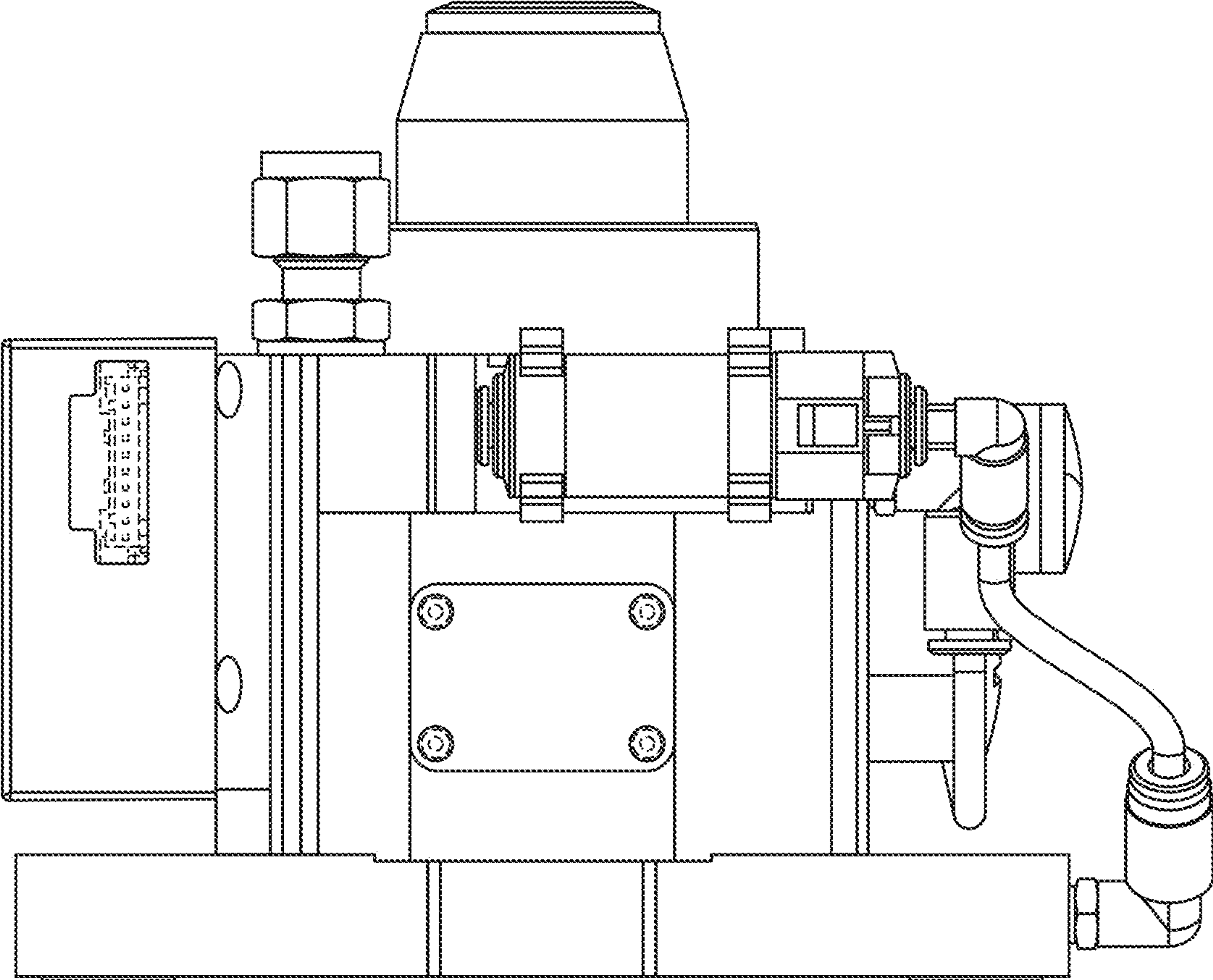


FIG. 7