



US00D884633S

(12) **United States Design Patent** (10) **Patent No.:** **US D884,633 S**  
**Chen et al.** (45) **Date of Patent:** **\*\* May 19, 2020**

(54) **ENCODER FOR AN ELECTRIC MOTOR**

(56) **References Cited**

(71) Applicant: **Siemens Aktiengesellschaft**, Munich (DE)

U.S. PATENT DOCUMENTS

(72) Inventors: **Yan Chen**, Nanjing (CN); **Yan Heng Zhou**, Nanjing (CN); **Jun Gao**, Nanjing (CN); **Sheng You Wang**, Nanjing (CN); **Ning Zhao**, Nanjing (CN)

D238,177 S *	12/1975	Ohishi	.....	D13/112
D343,844 S *	2/1994	Dulak	.....	D15/7
6,275,173 B1 *	8/2001	Wu	.....	H01H 25/008 250/231.13
D503,717 S *	4/2005	Kawamura	.....	D14/432
D540,254 S *	4/2007	Wolf	.....	D13/112
7,438,588 B2 *	10/2008	Rhodes	.....	G01D 11/24 439/456
D615,050 S *	5/2010	Christiansen	.....	D13/173
D709,450 S *	7/2014	Tanabe	.....	D13/112

(73) Assignee: **Siemens Aktiengesellschaft**, Munich (DE)

\* cited by examiner

(\*\*) Term: **15 Years**

*Primary Examiner* — Derrick E Holland

(21) Appl. No.: **29/595,226**

(74) *Attorney, Agent, or Firm* — Schiff Hardin LLP

(22) Filed: **Feb. 27, 2017**

(57) **CLAIM**

(30) **Foreign Application Priority Data**

The ornamental design for an encoder for an electric motor, as shown and described.

Aug. 30, 2016 (CN) ..... 2016 3 0445342

**DESCRIPTION**

(51) **LOC (12) Cl.** ..... **13-01**

FIG. 1 is a front elevational view of an encoder for an electric motor showing our new design;  
 FIG. 2 is a back elevational view thereof;  
 FIG. 3 is a top plan view thereof;  
 FIG. 4 is a bottom plan view thereof;  
 FIG. 5 is a side elevational view of the right side thereof;  
 FIG. 6 is a side elevational view of the left side thereof;  
 FIG. 7 is a top, front and right side perspective view thereof;  
 and,  
 FIG. 8 is a top, back and left side perspective view thereof.

(52) **U.S. Cl.**

USPC ..... **D13/122**; D13/112

(58) **Field of Classification Search**

USPC ..... D13/112, 101, 113, 114, 118, 122, 173,  
 D13/199; D15/5, 148, 149; D14/432  
 CPC ..... H03M 1/22; H03M 1/28; H03M 1/287;  
 H01H 25/008; H01H 19/005; H01H  
 19/11; G01D 5/34; G01D 5/252; G01D  
 5/34707; G01D 11/24

See application file for complete search history.

**1 Claim, 8 Drawing Sheets**

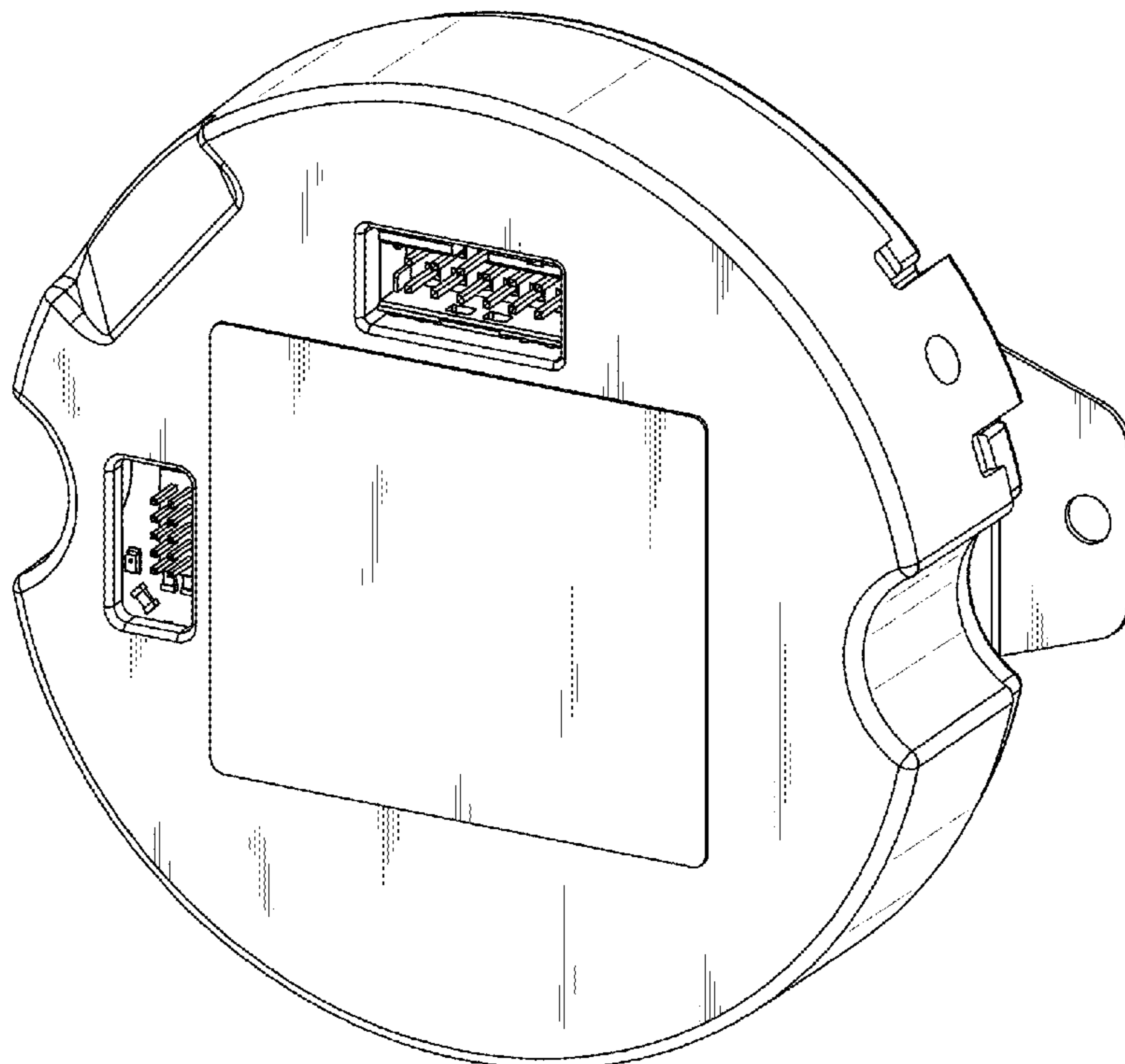


FIG. 1

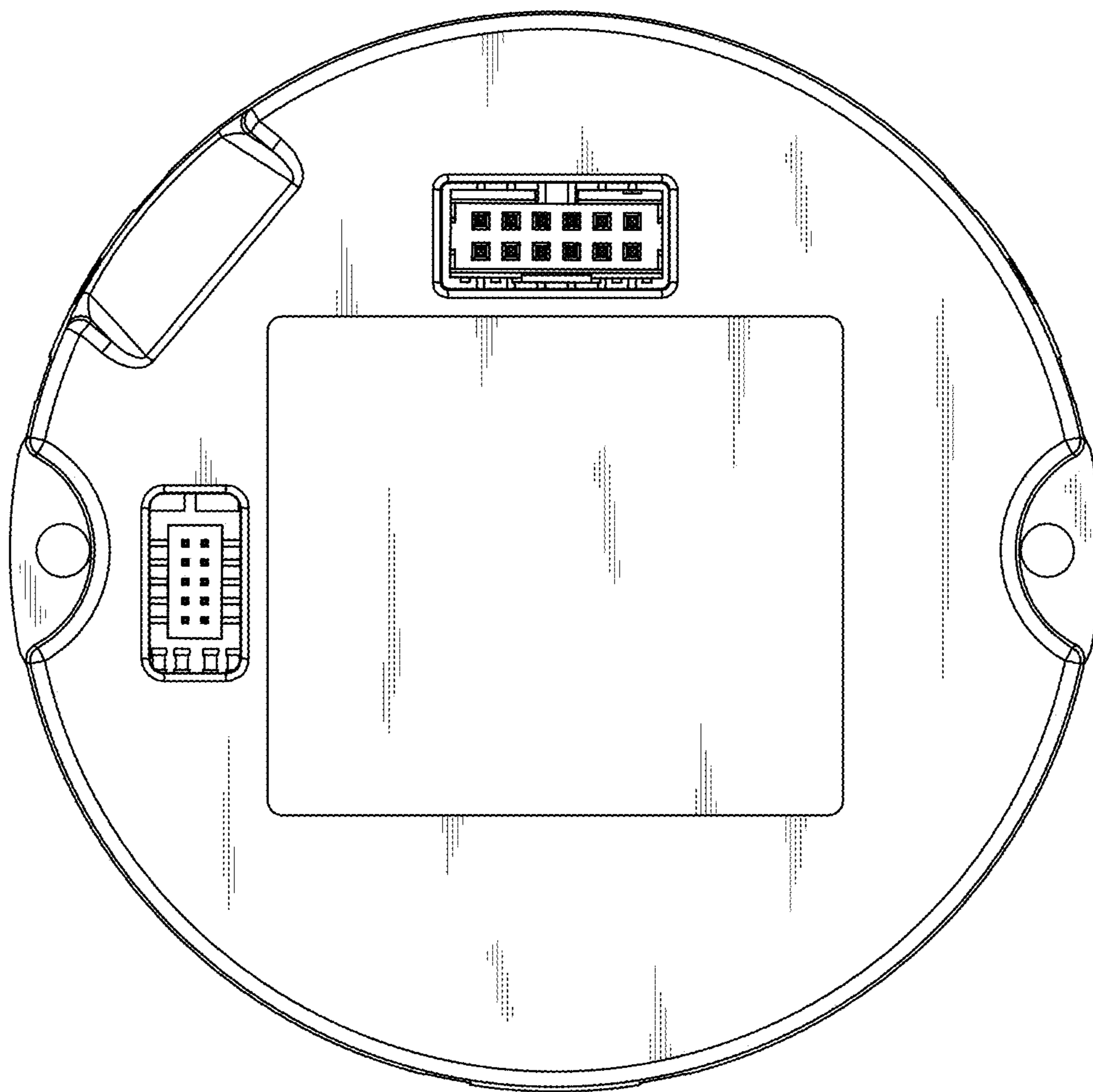


FIG. 2

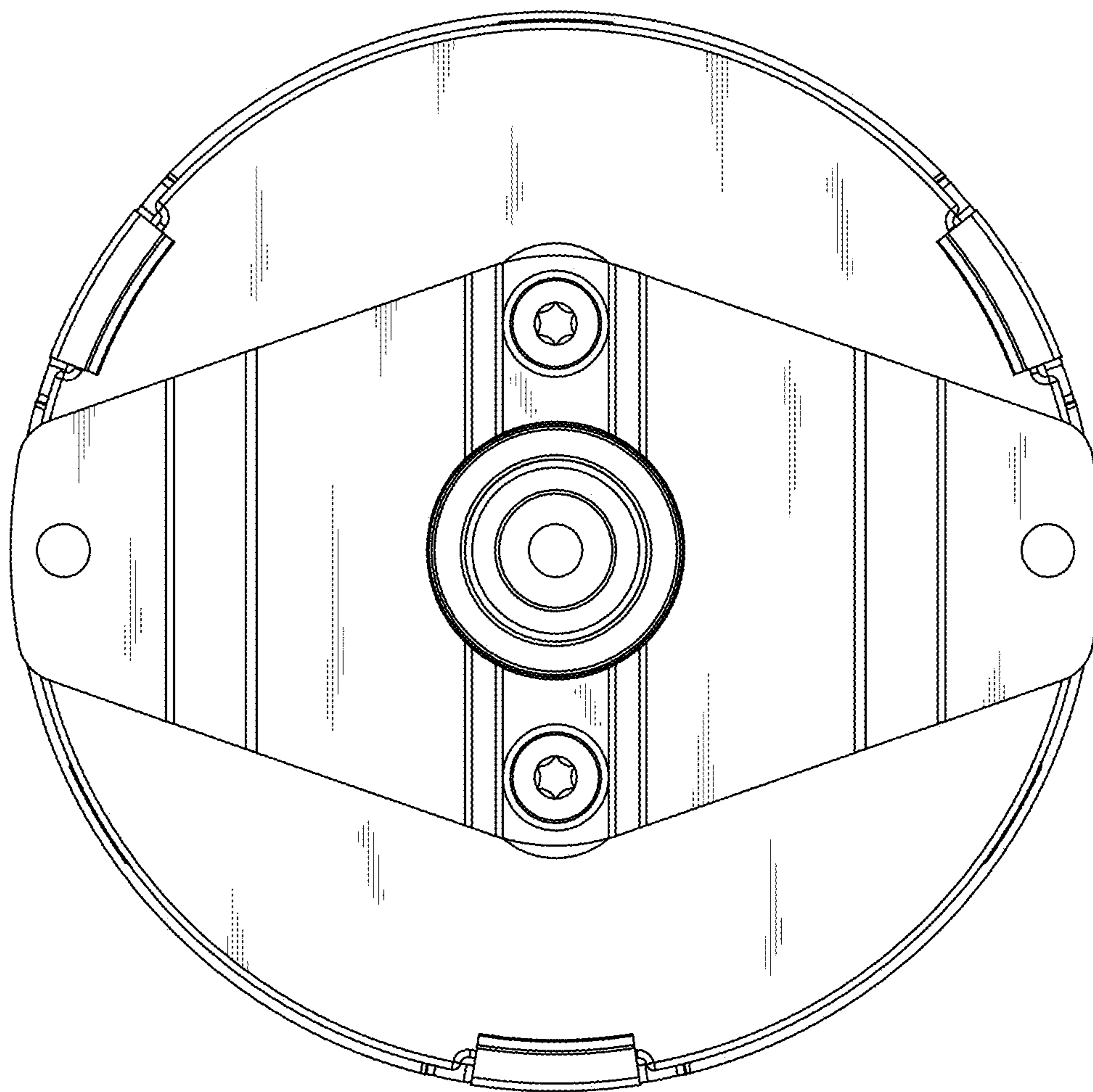


FIG. 3

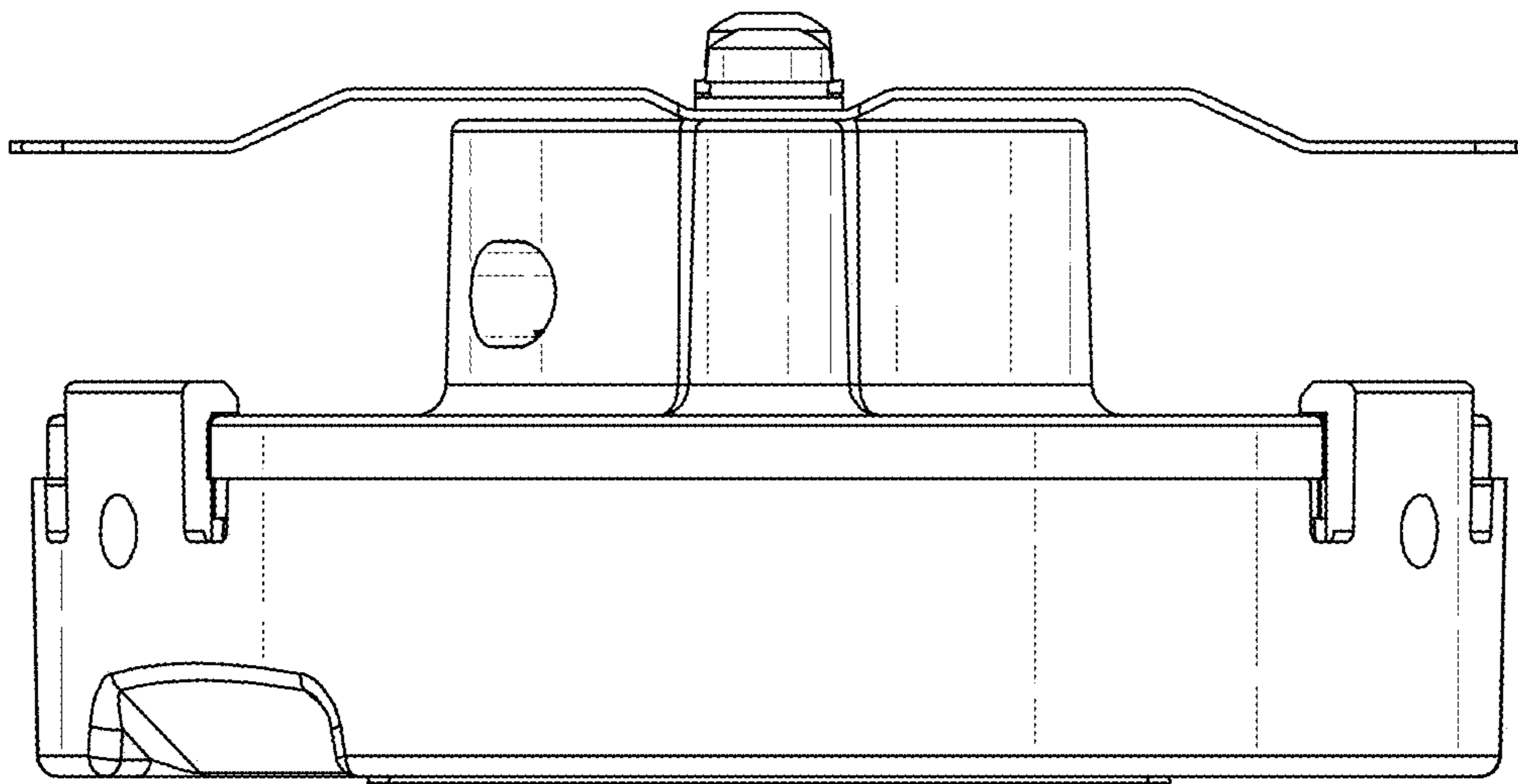


FIG. 4

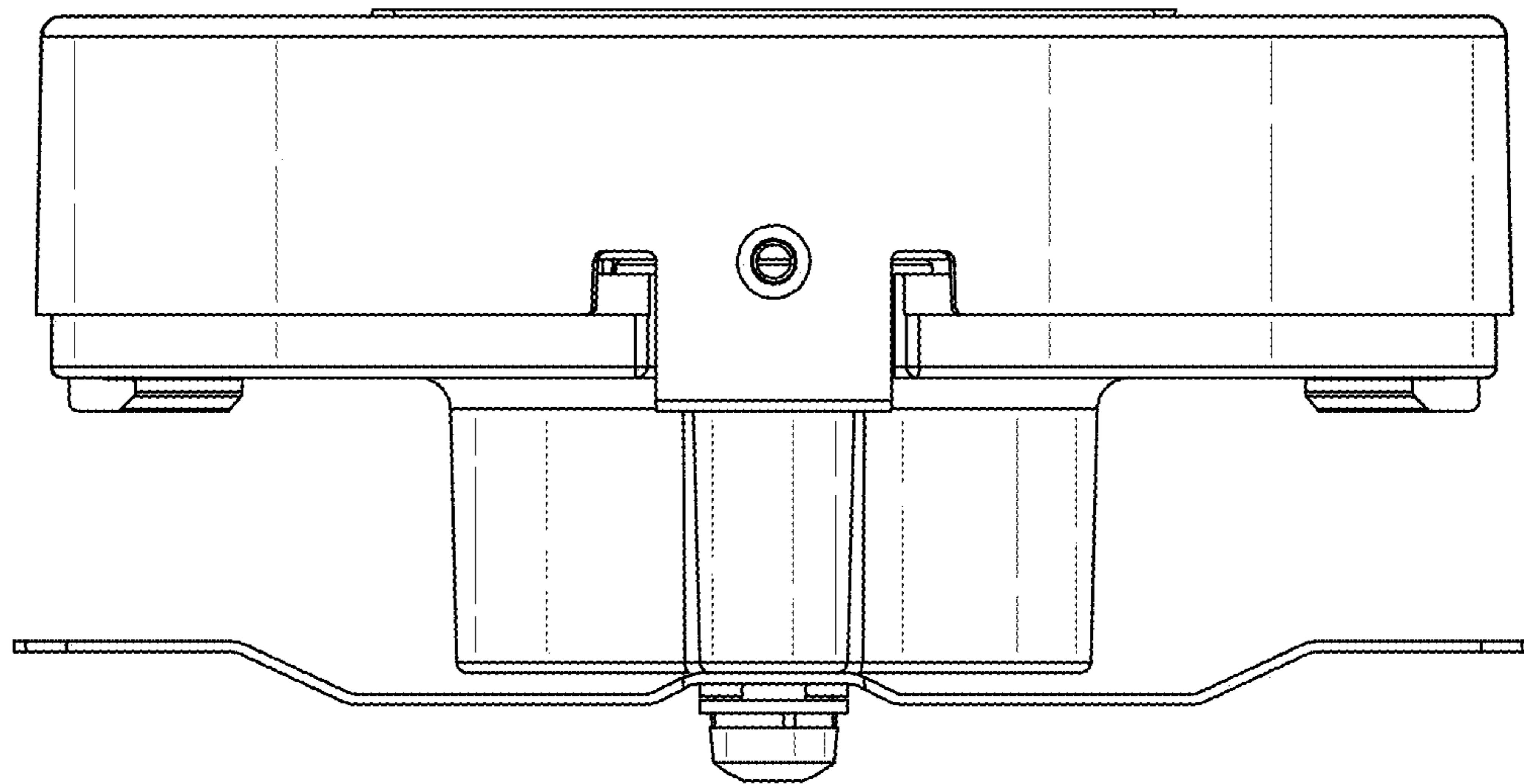


FIG. 5

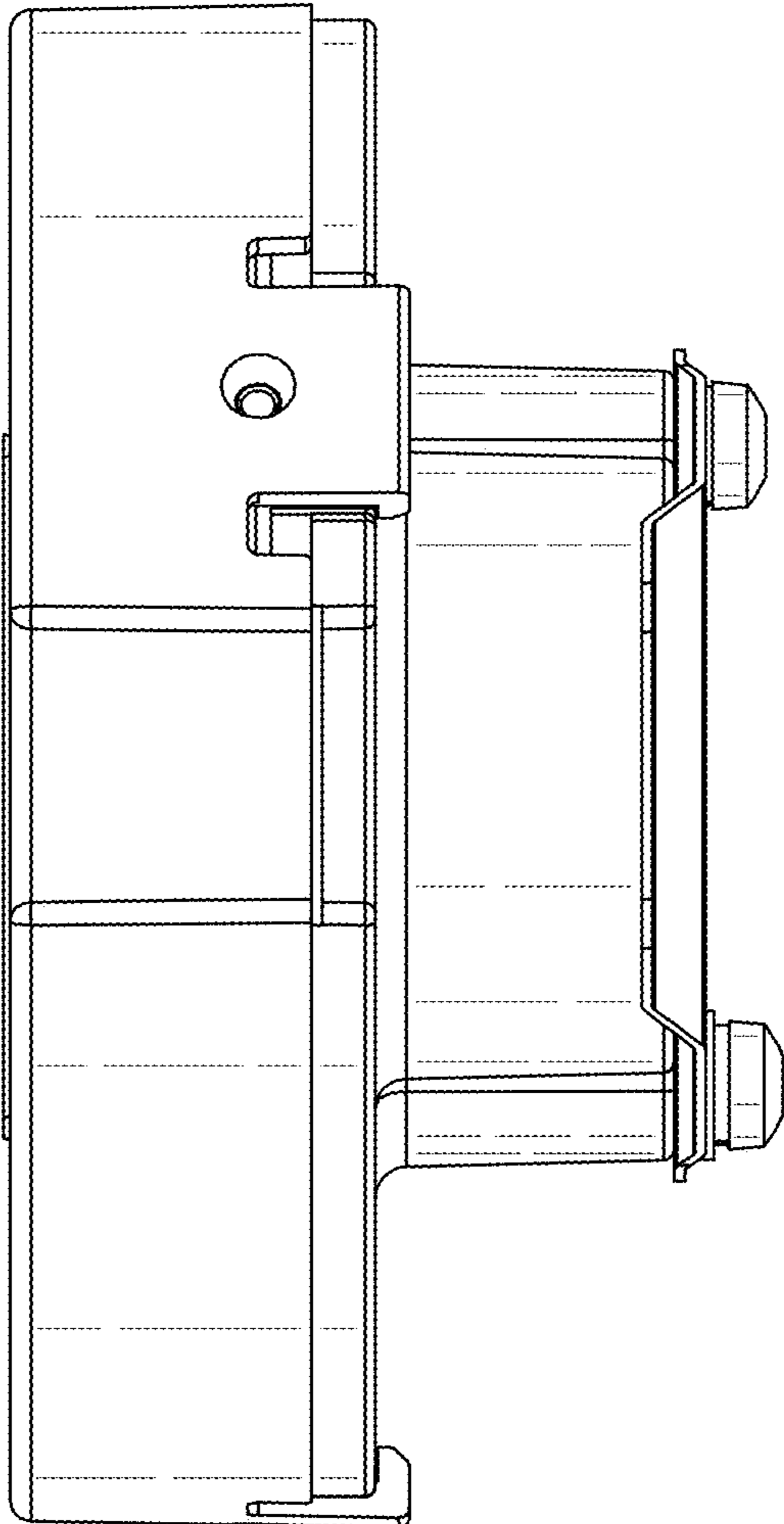


FIG. 6

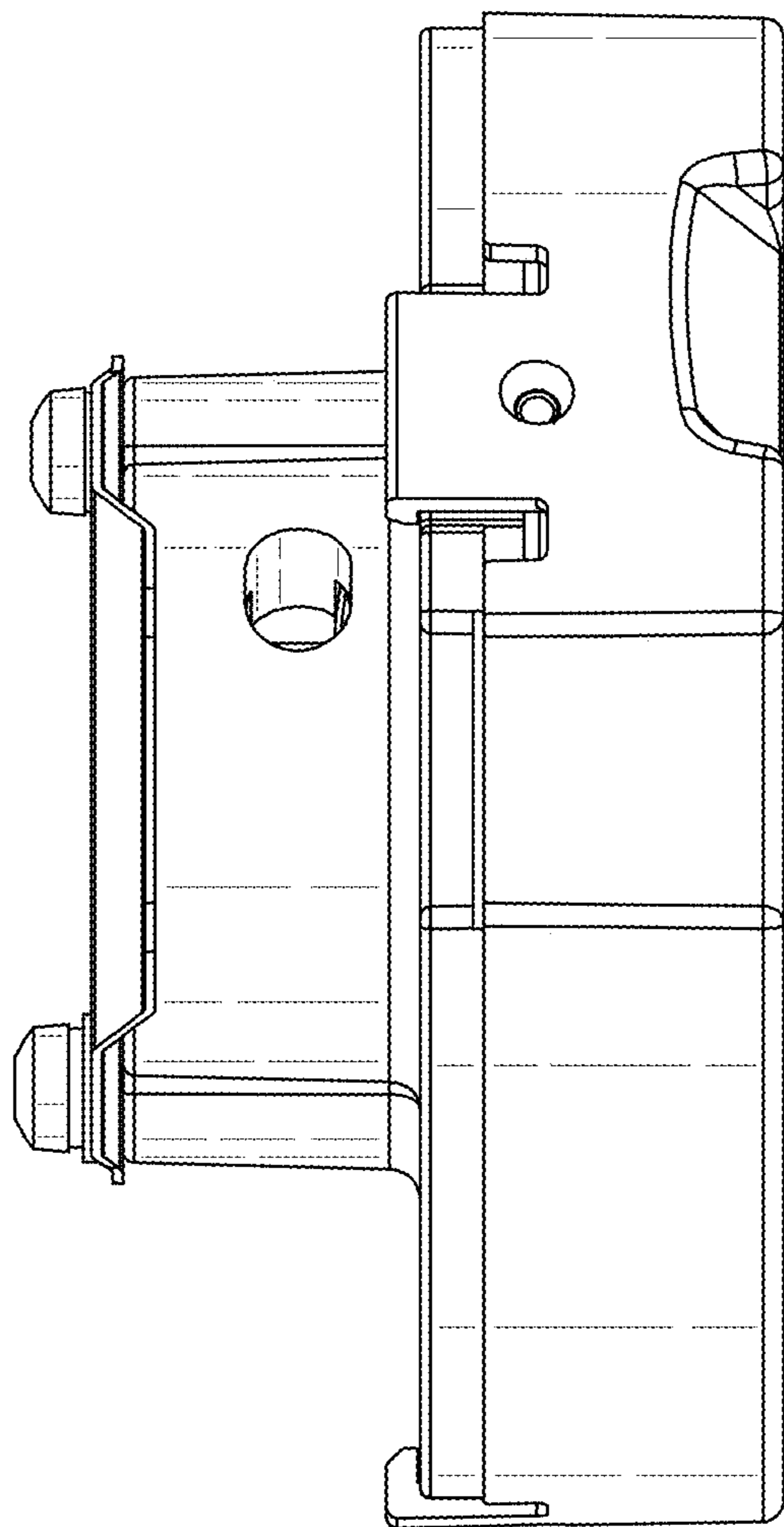


FIG. 7

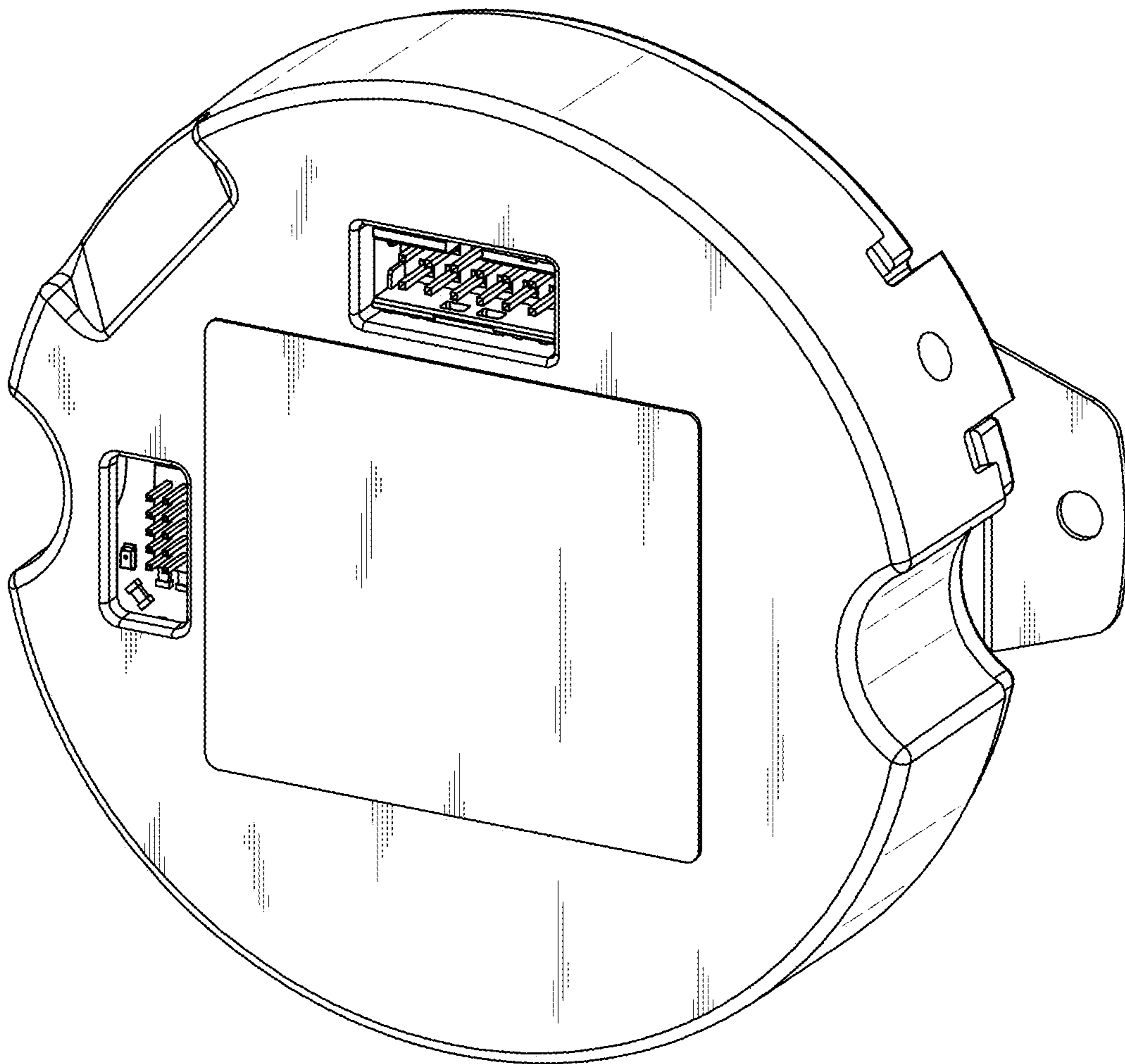




FIG. 8

