



US00D884629S

(12) **United States Design Patent** (10) **Patent No.:** **US D884,629 S**
Zhong (45) **Date of Patent:** **** May 19, 2020**

(54) **POWER SUPPLY COVER**

(56) **References Cited**

(71) Applicant: **Taibao Zhong**, Hunan (CN)

U.S. PATENT DOCUMENTS

(72) Inventor: **Taibao Zhong**, Hunan (CN)

D210,596 S *	3/1968	Becker	D13/110
D286,770 S *	11/1986	Melcher	D13/126
D316,853 S *	5/1991	Dickey	D13/184
D546,282 S *	7/2007	Wardenburg	D13/110
D585,852 S *	2/2009	Chen	D13/184
D660,252 S *	5/2012	Hargreaves	D13/156
D792,355 S *	7/2017	Lin	D13/162
D840,949 S *	2/2019	Lorentz	D13/158

(73) Assignee: **Zhuzhou Zhongpusen Technology Co., Ltd.**, Zhuzhou, Hunan (CN)

(**) Term: **15 Years**

* cited by examiner

(21) Appl. No.: **29/667,039**

Primary Examiner — Derrick E Holland

(22) Filed: **Oct. 18, 2018**

(30) **Foreign Application Priority Data**

(57) **CLAIM**

Oct. 9, 2018 (CN) 2018 3 0560843

The ornamental design for a power supply cover, as shown and described.

(51) **LOC (12) Cl.** **13-02**

DESCRIPTION

(52) **U.S. Cl.**

USPC **D13/110; D13/118**

(58) **Field of Classification Search**

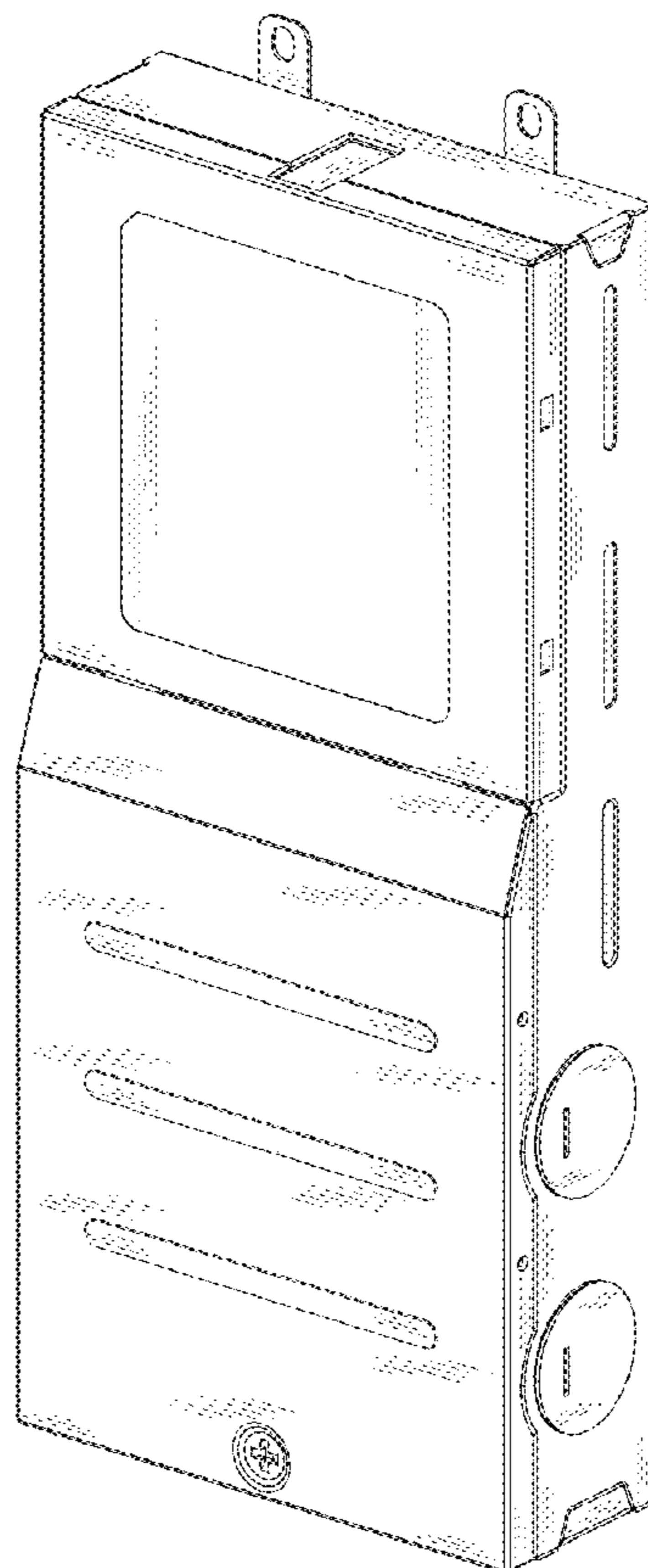
USPC D13/101, 103, 107, 108, 110, 118, 119, D13/123, 133, 137.1, 184, 199; D14/240, D14/251, 356, 358, 432, 433, 434; 307/11, 150, 151; 361/142, 363, 679.01; 363/146; 439/131

CPC H02M 1/10; H01M 10/46; H02J 13/0096; H02J 7/00; H02J 7/0042; H02J 7/0047; H02J 9/00

FIG. 1 is a front, top and right side perspective view of a power supply cover showing my new design; FIG. 2 is a rear, top and left side perspective view thereof; FIG. 3 is a front elevation view thereof; FIG. 4 is a rear elevation view thereof; FIG. 5 is a left side elevation view thereof; FIG. 6 is a right side elevation view thereof; FIG. 7 is a top plan view thereof; and, FIG. 8 is a bottom plan view thereof.

See application file for complete search history.

1 Claim, 8 Drawing Sheets



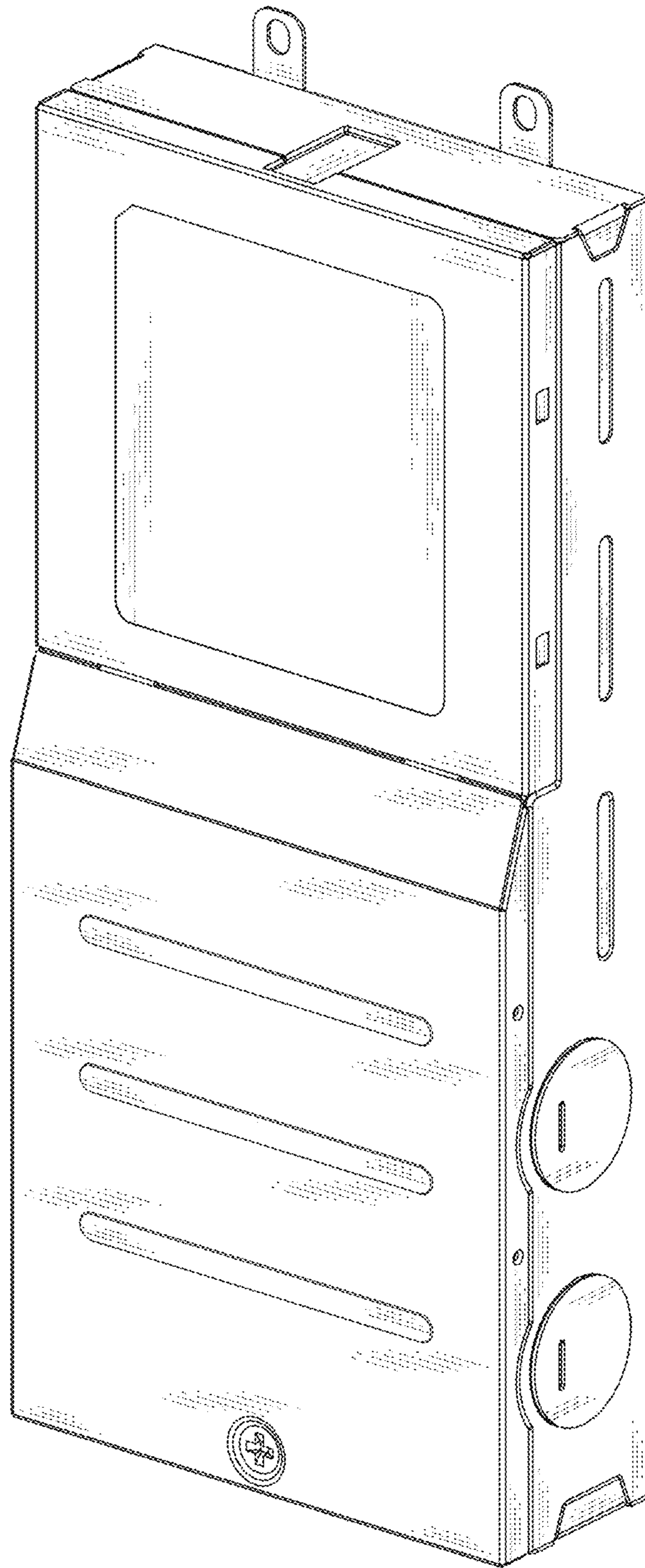


FIG.1

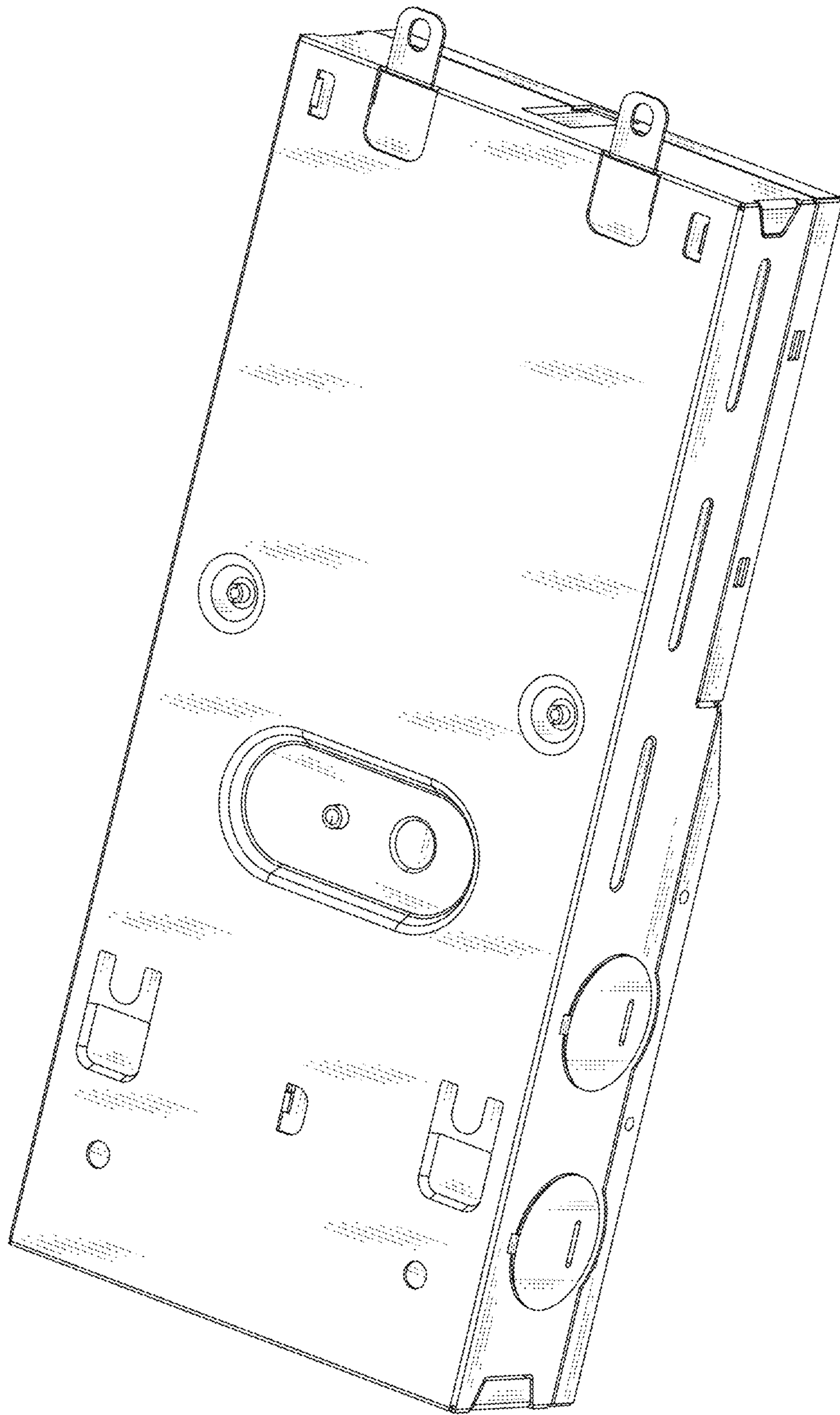


FIG.2

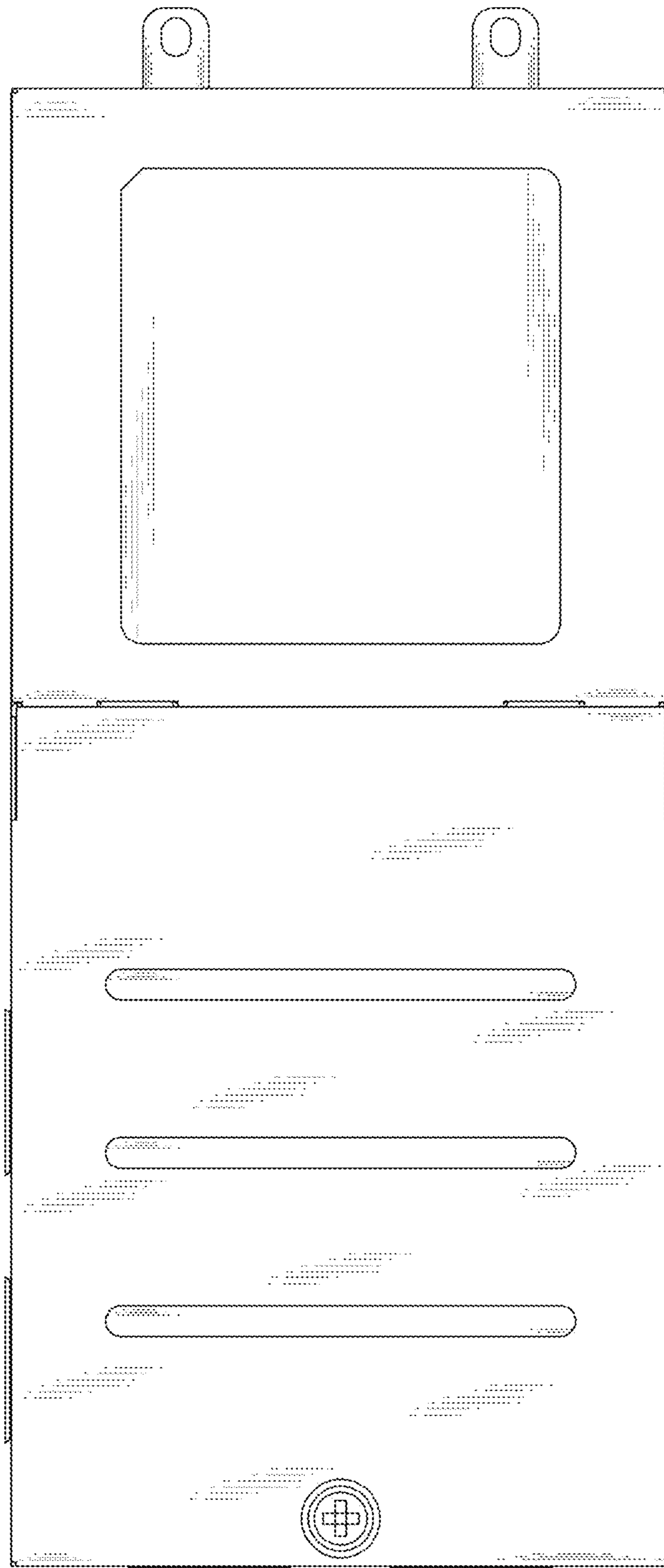


FIG.3

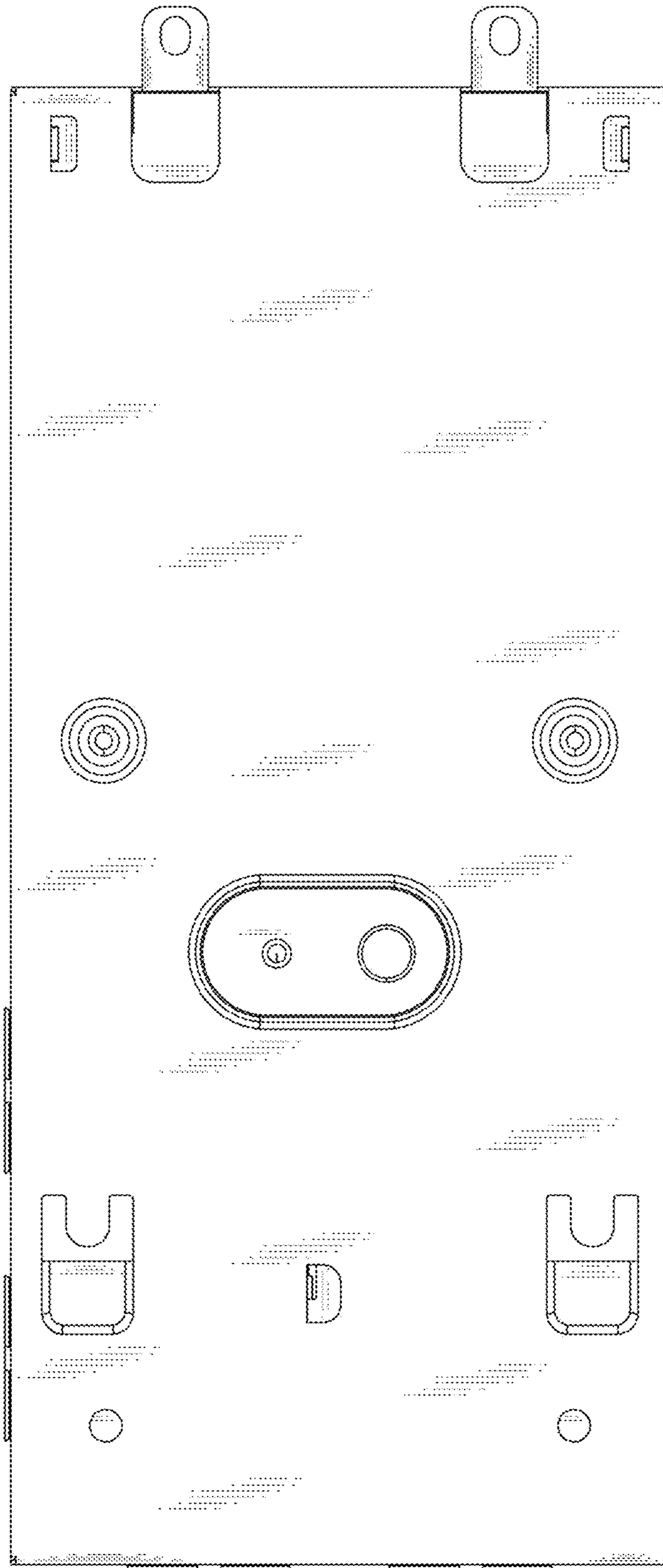


FIG.4

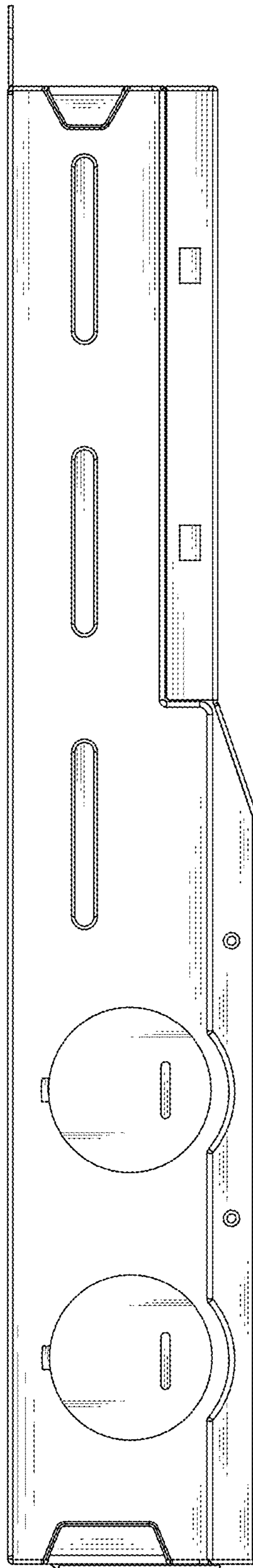


FIG.5

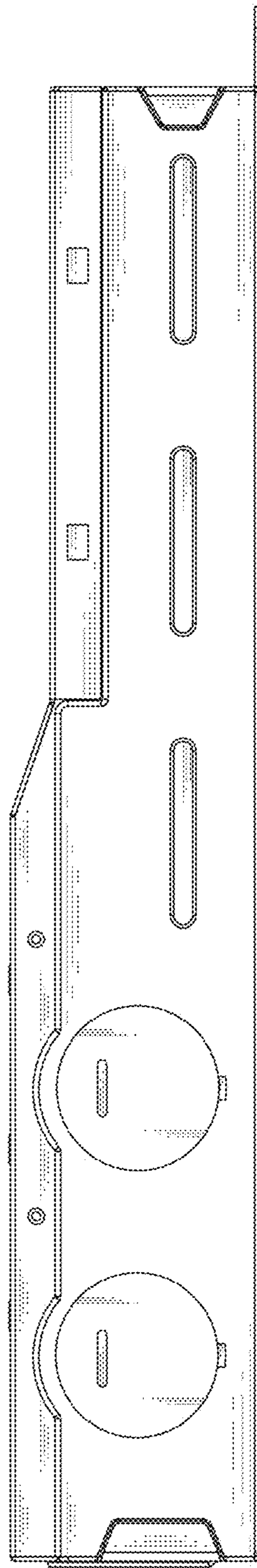


FIG.6

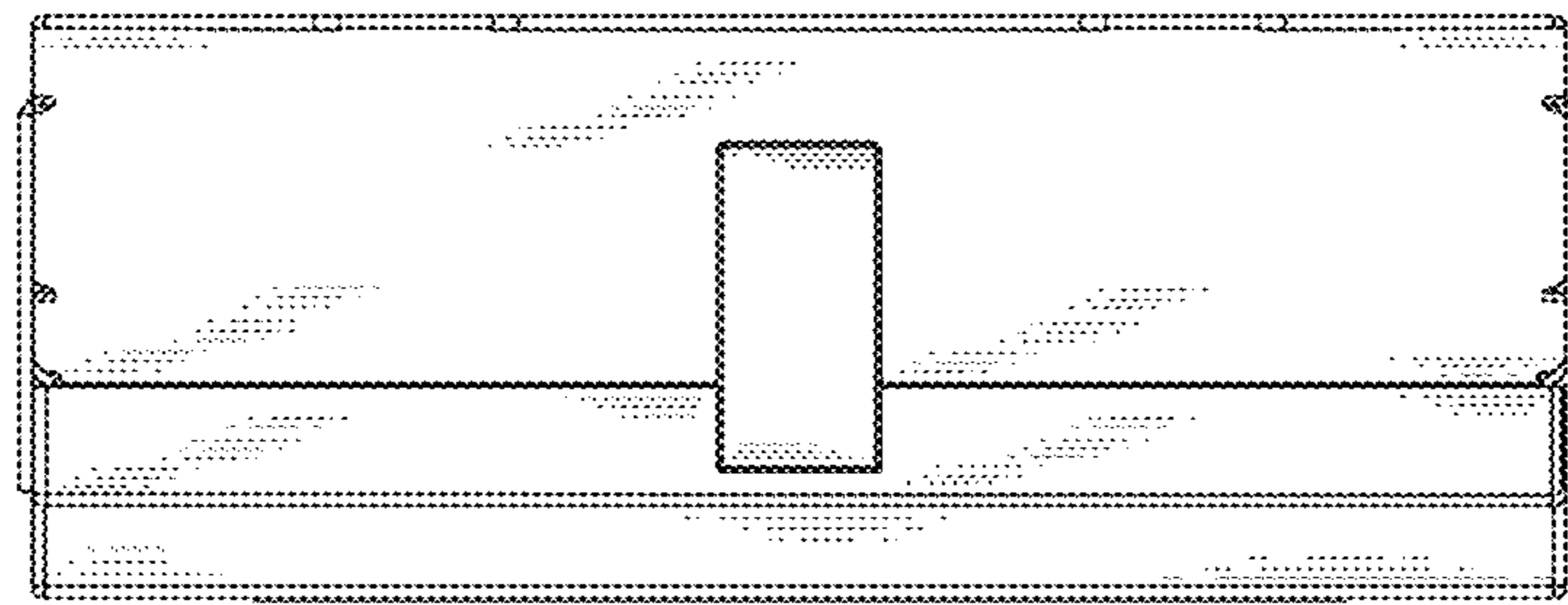


FIG. 7

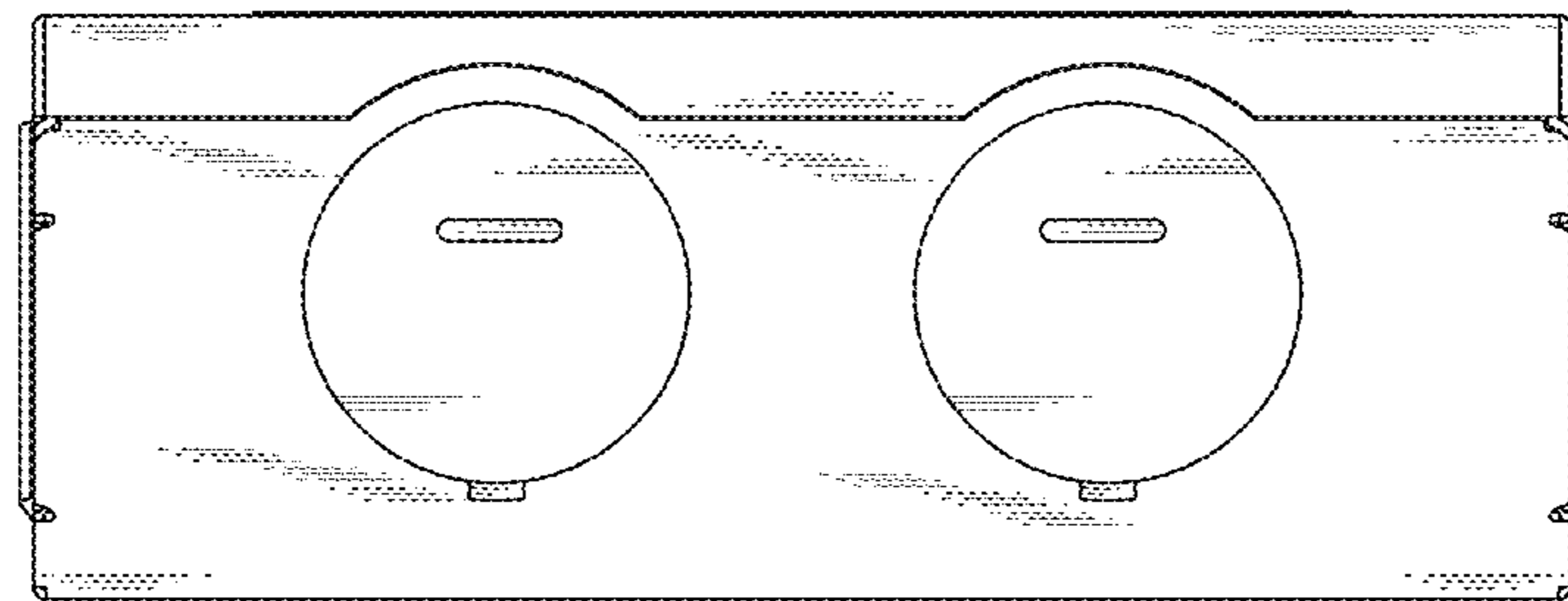


FIG. 8