



US00D884628S

(12) **United States Design Patent** (10) **Patent No.:** **US D884,628 S**
Mouchet (45) **Date of Patent:** **** May 19, 2020**

- (54) **CURRENT TRANSDUCER**
- (71) Applicant: **LEM International SA,**
Plan-les-Ouates (CH)
- (72) Inventor: **Steve Mouchet,** Pringy (FR)
- (73) Assignee: **LEM International SA,**
Plan-les-Ouates (CH)
- (**) Term: **15 Years**
- (21) Appl. No.: **29/658,557**
- (22) Filed: **Aug. 1, 2018**

6,072,112 A	6/2000	Suenaga et al.	
6,222,342 B1	4/2001	Eggert et al.	
D506,153 S	6/2005	Morel	
D607,763 S	1/2010	Morel	
D610,541 S *	2/2010	Mueller	D13/110
D613,686 S *	4/2010	Mueller	D13/110
D684,927 S *	6/2013	Sage	D13/110
D685,325 S *	7/2013	Hayashi	D13/110
D685,734 S *	7/2013	Sage	D13/110
D686,156 S *	7/2013	Ye	D13/110
D686,989 S *	7/2013	Hayashi	D13/110
D688,626 S *	8/2013	Ye	D13/110
D742,842 S *	11/2015	Hayashi	D13/182
D751,034 S *	3/2016	Ye	D13/110
D766,180 S *	9/2016	Morel	D13/110
D769,190 S *	10/2016	Sid	D13/110
D769,817 S *	10/2016	Sid	D13/110
D795,806 S *	8/2017	Delmaere	D13/110

(Continued)

Related U.S. Application Data

- (62) Division of application No. 35/503,703, filed on Mar. 28, 2017 (U.S. filing date under 35 U.S.C. 384), and having an international filing date of Mar. 28, 2017.
- (51) **LOC (12) Cl.** **13-02**
- (52) **U.S. Cl.**
USPC **D13/110**
- (58) **Field of Classification Search**
USPC D13/110, 182; D10/78
CPC H02J 7/0045; G10H 3/146; G01R 1/04;
G01R 15/185; G08B 13/1409
See application file for complete search history.

Primary Examiner — Rhea Shields

(74) *Attorney, Agent, or Firm* — Faegre Drinker Biddle & Reath LLP

(57) **CLAIM**

The ornamental design for a current transducer, as shown and described.

DESCRIPTION

FIG. 1 is a bottom front right perspective view of a current transducer showing my new design;
 FIG. 2 is a top front right perspective view thereof;
 FIG. 3 is a front view thereof;
 FIG. 4 is a rear view thereof;
 FIG. 5 is a top plan view thereof;
 FIG. 6 is a bottom plan view thereof;
 FIG. 7 is a left side view thereof; and,
 FIG. 8 is a right side view thereof.

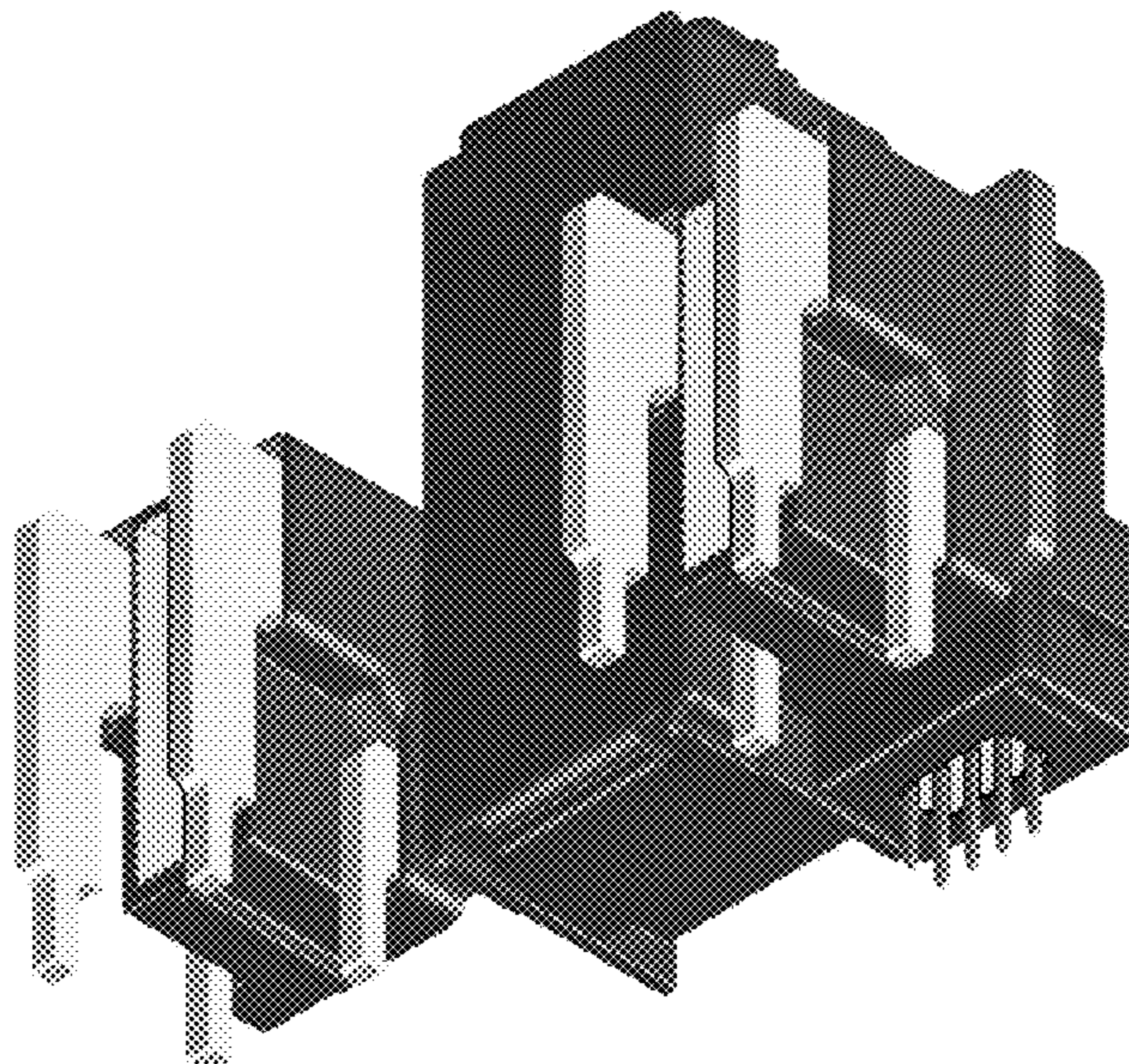
The broken lines in the figures show portions of the current transducer that form no part of the claimed design. Features within the broken lines form no part of the claim.

(56) **References Cited**

U.S. PATENT DOCUMENTS

3,979,566 A *	9/1976	Willy	H04R 9/025 381/401
4,220,887 A *	9/1980	Kompanek	H01L 41/0906 310/326
5,168,171 A *	12/1992	Tracewell	H05K 7/20572 307/150
5,184,107 A *	2/1993	Maurer	G01L 19/0084 29/621.1
5,677,850 A	10/1997	Ott		

1 Claim, 8 Drawing Sheets



(56)

References Cited

U.S. PATENT DOCUMENTS

D803,154	S	*	11/2017	Delmaere	D13/110
D812,001	S	*	3/2018	Marcoz	D13/110
D815,595	S	*	4/2018	Claeys	D13/110
D828,298	S	*	9/2018	Claeys	D13/110
D829,654	S	*	10/2018	Sid	D13/110
D830,300	S	*	10/2018	Morel	D13/110
D833,391	S	*	11/2018	Claeys	D13/110
D835,038	S	*	12/2018	Delmaere	D13/110
D840,336	S	*	2/2019	Labbe	D13/110
D847,742	S	*	5/2019	Claeys	D13/110
D850,375	S	*	6/2019	Mouchet	D13/110
D855,020	S	*	7/2019	Zhao	D13/110
D855,021	S	*	7/2019	Ye	D13/110
D856,928	S	*	8/2019	Mouchet	D13/110
2008/0094162	A1		4/2008	Schaerrer et al.		
2017/0010310	A1		1/2017	Morel et al.		

* cited by examiner

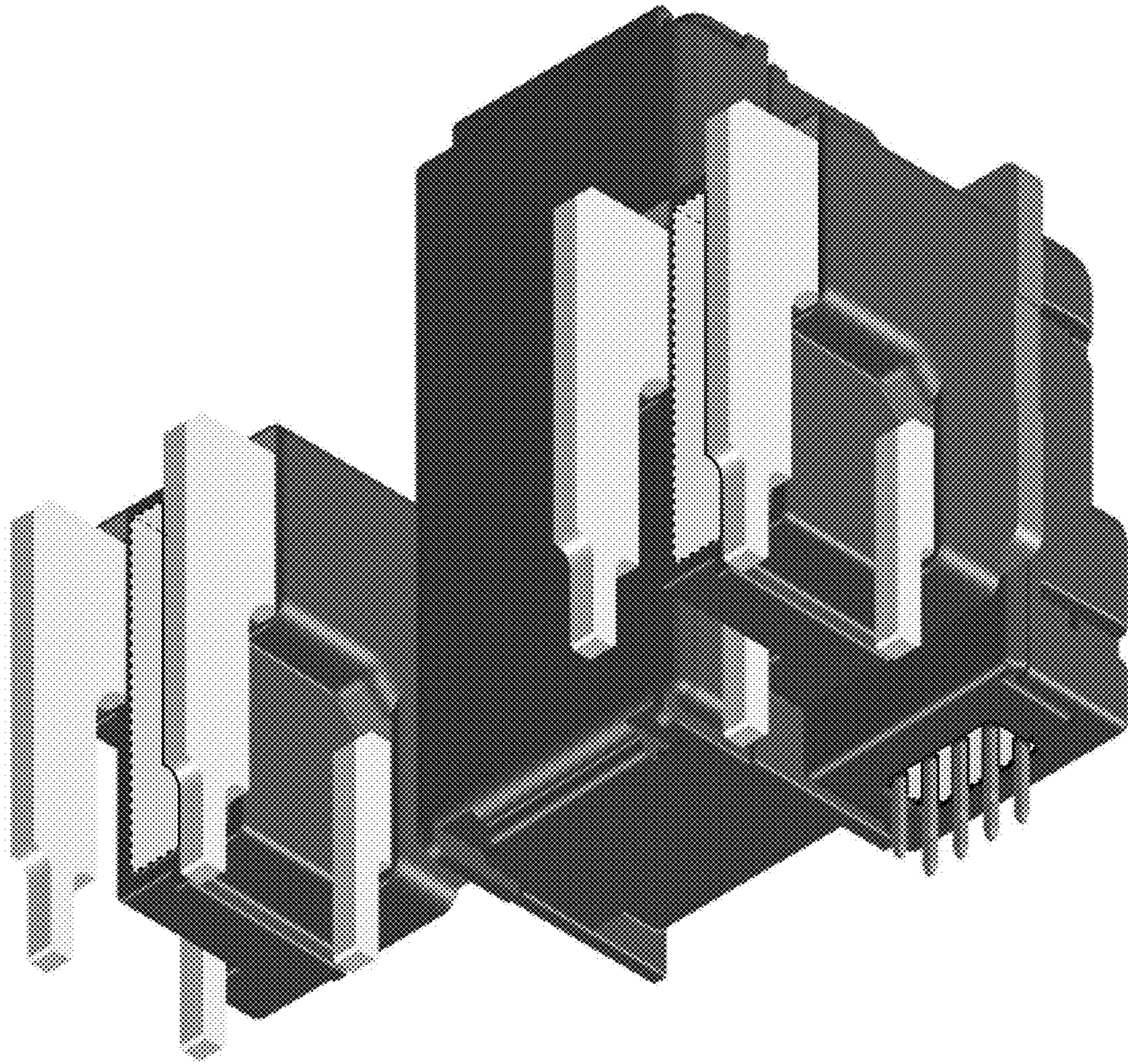


FIG. 1

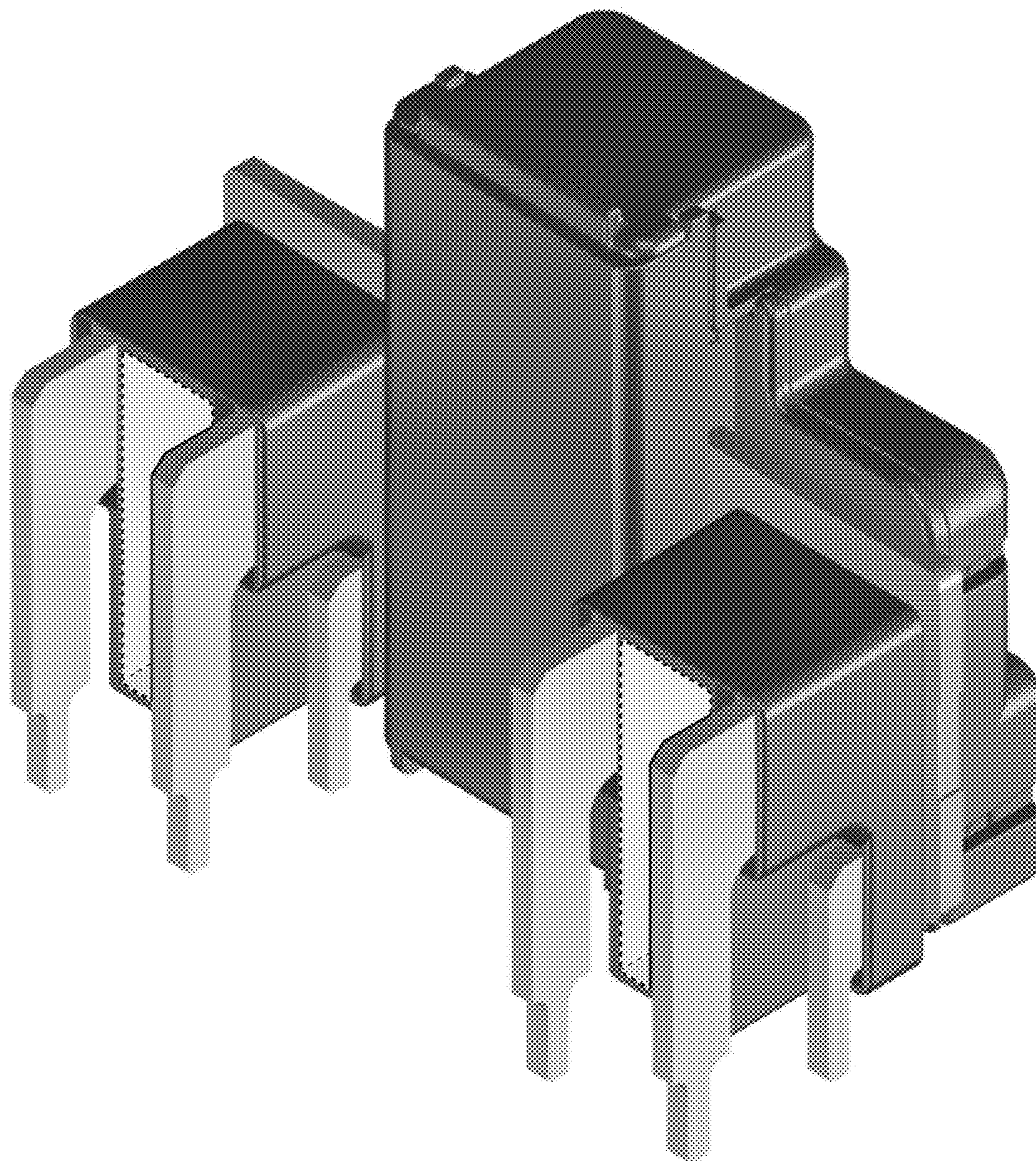


FIG. 2

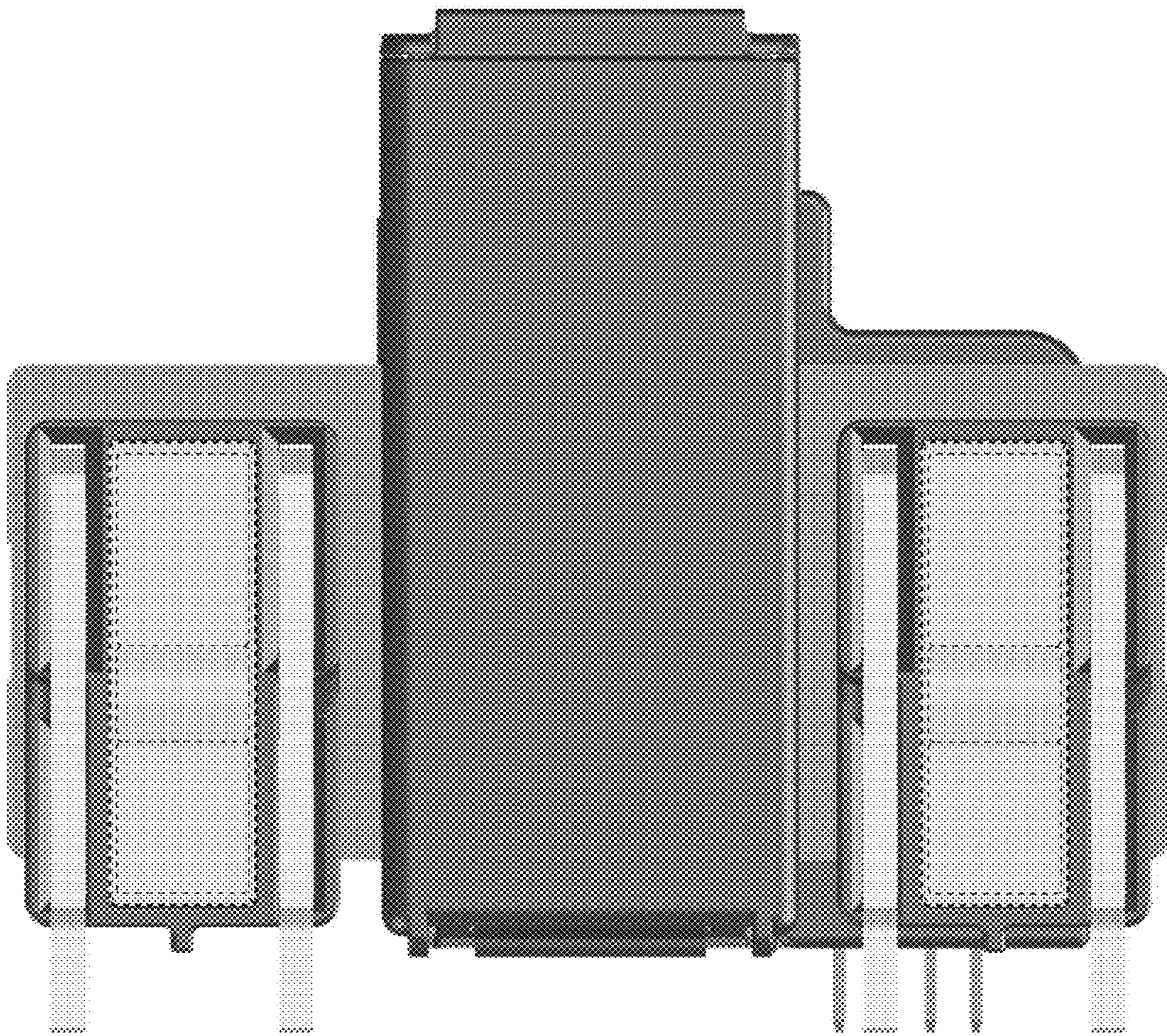


FIG. 3

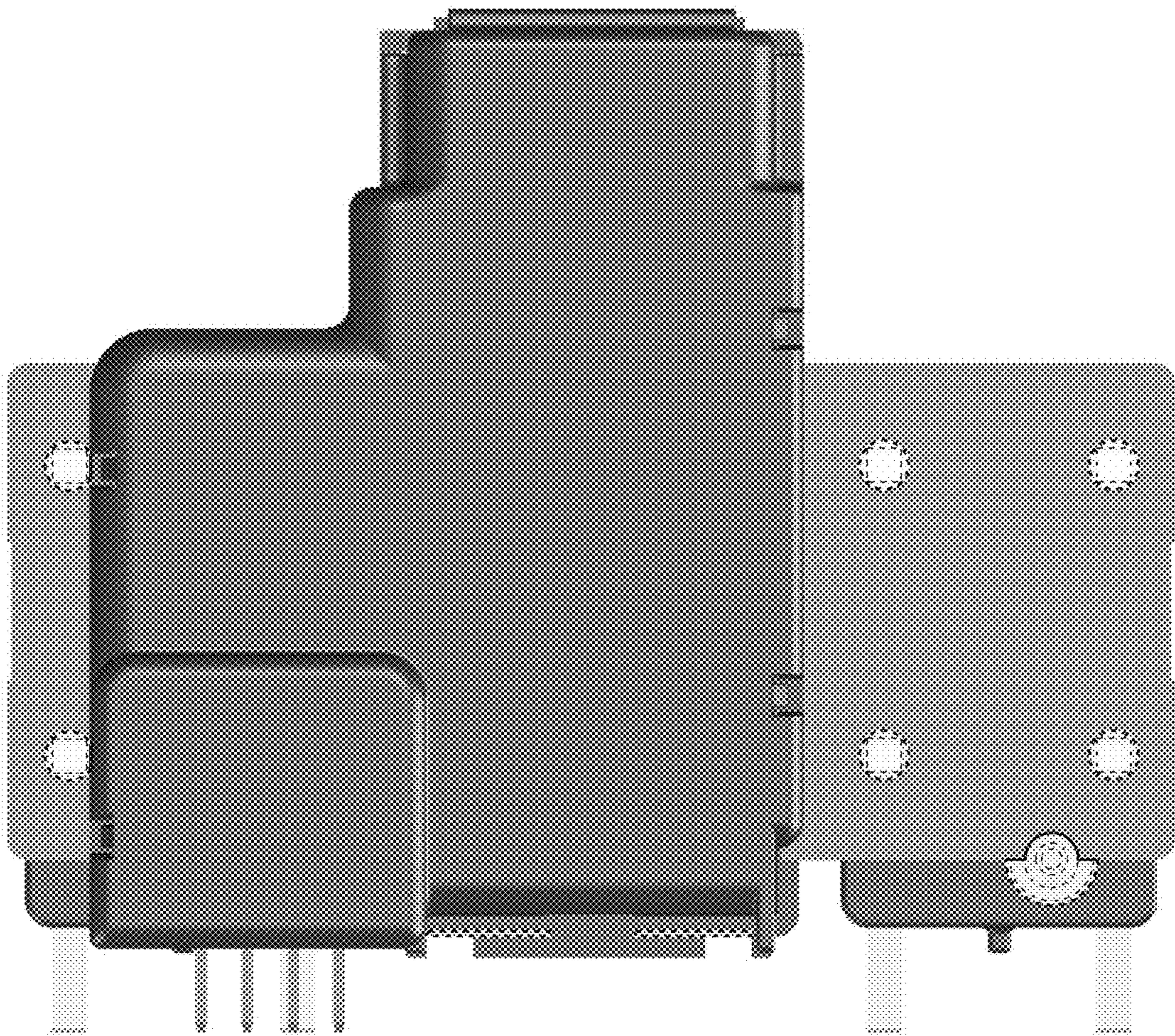


FIG. 4

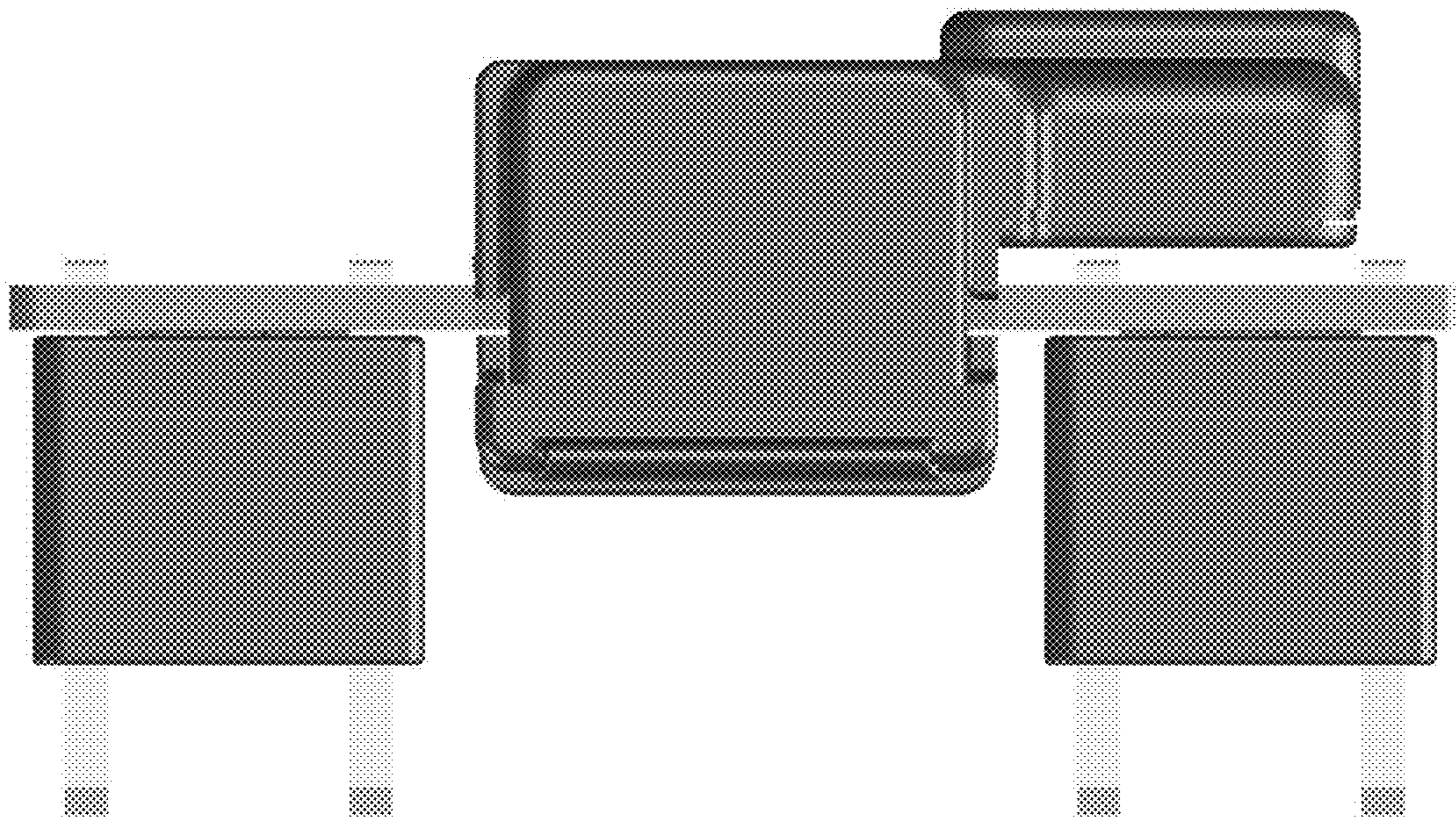


FIG. 5

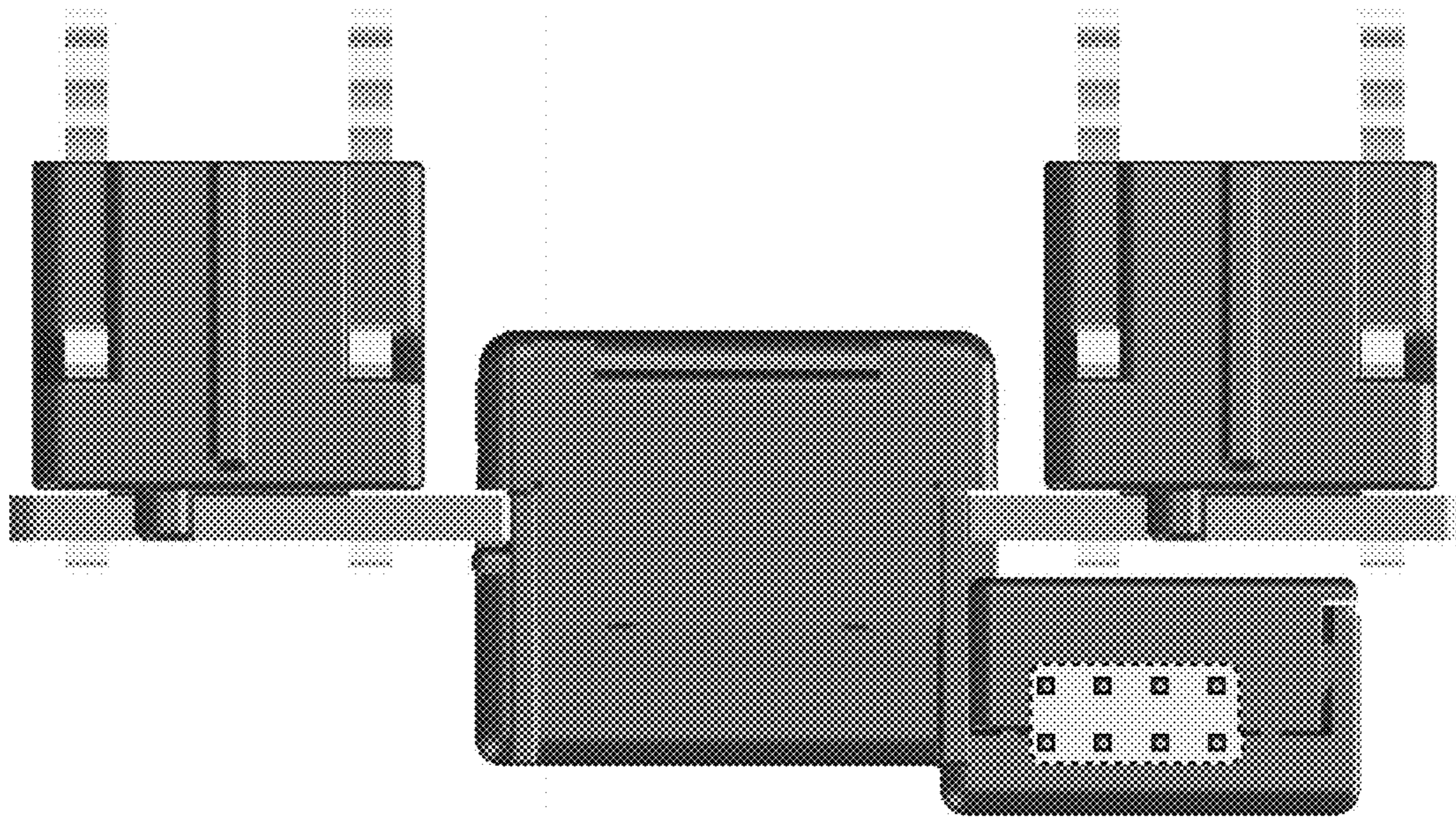


FIG. 6

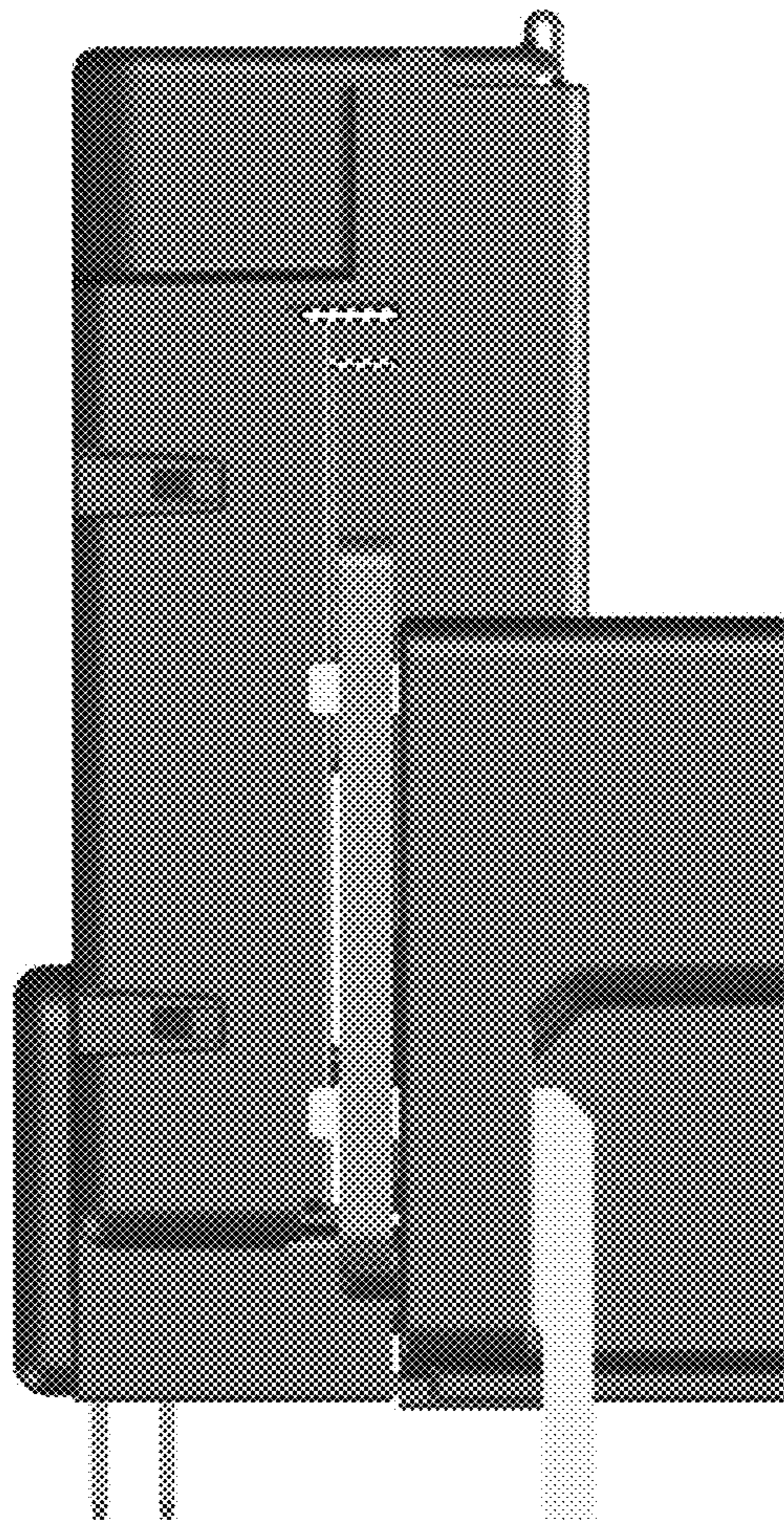


FIG. 7

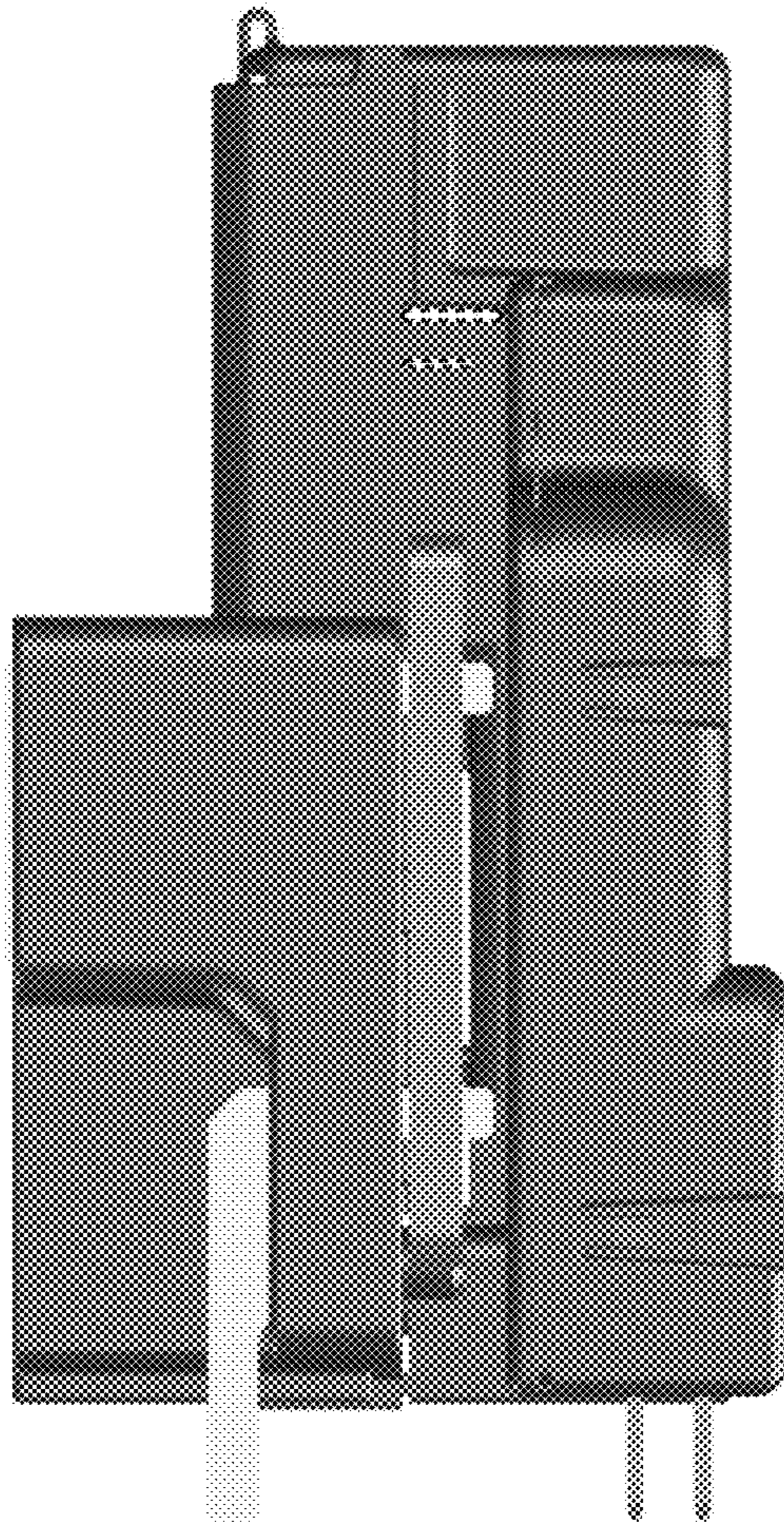


FIG. 8