



US00D884627S

(12) **United States Design Patent** (10) **Patent No.:** **US D884,627 S**  
**Du et al.** (45) **Date of Patent:** **\*\* May 19, 2020**

(54) **POWER ADAPTER**

D630,835 S \* 1/2011 Easley ..... D3/203.1  
D649,346 S \* 11/2011 Davidson ..... D3/215  
8,313,335 B2 \* 11/2012 Wu ..... H01R 13/502  
439/172

(71) Applicant: **Dell Products L.P.**, Round Rock, TX  
(US)

(Continued)

(72) Inventors: **Hang Du**, Singapore (SG); **Benedict  
Tiong Chee Tay**, Singapore (SG);  
**Toshiyuki Tanaka**, Mendham, NJ (US);  
**Alvin Sitoh**, Singapore (SG)

OTHER PUBLICATIONS

Dell, "Dell Hybrid Adapter + Power Bank USB-C PH45W17-CA—  
45W AC Adapter + Notebook Power Bank (43Wh)," downloaded  
from [https://www.dell.com/en-us/shop/accessories/apd/451-bcbe?cid=308990&st=&gclid=CjwKCAjw7cDaBRBtEiwAsxprXVAJOoQHQRsyPbHd\\_Hmiu6Y59vWDE2b2F4QZWmgcTu0aSSm7EJLeUxoCrc0QAvD\\_BwE&lid=5841086&VEN1=sMbBEKAVW,51918710868,901pdb6671,c,,451-BCBE&VEN2=&dgc=st&dgseg=dhs&acd=1230980731501410&VEN3=423858262037246317](https://www.dell.com/en-us/shop/accessories/apd/451-bcbe?cid=308990&st=&gclid=CjwKCAjw7cDaBRBtEiwAsxprXVAJOoQHQRsyPbHd_Hmiu6Y59vWDE2b2F4QZWmgcTu0aSSm7EJLeUxoCrc0QAvD_BwE&lid=5841086&VEN1=sMbBEKAVW,51918710868,901pdb6671,c,,451-BCBE&VEN2=&dgc=st&dgseg=dhs&acd=1230980731501410&VEN3=423858262037246317), Jul. 20, 2018, 4 pages.

(Continued)

(73) Assignee: **Dell Products L.P.**, Round Rock, TX  
(US)

(\*\*) Term: **15 Years**

*Primary Examiner* — Susan Bennett Hattan  
*Assistant Examiner* — Suzanne E Tisdell  
(74) *Attorney, Agent, or Firm* — Zagorin Cave LLP;  
Robert W. Holland

(21) Appl. No.: **29/647,256**

(22) Filed: **May 11, 2018**

(51) **LOC (12) Cl.** ..... **13-02**

(52) **U.S. Cl.**  
USPC ..... **D13/110**

(58) **Field of Classification Search**  
USPC ..... D3/215, 218; D13/107, 108, 109, 110,  
D13/118, 119, 123, 133, 134, 184;  
D14/253, 432, 434  
CPC .... H01R 13/24; H01R 13/72; H01R 13/5221;  
H01R 13/5816; H01R 13/582; H01R  
13/5825; H01R 13/5829; H01R 13/5833;  
H01R 13/6275; H01R 13/6589; H01R  
13/743; H01R 13/745; H01R 31/065;  
H01R 31/06  
See application file for complete search history.

(57) **CLAIM**

We claim the ornamental design for a power adapter, as  
shown and described.

**DESCRIPTION**

FIG. 1 is a front perspective view of the power adapter  
comprising the present invention;  
FIG. 2 is a front elevation view thereof;  
FIG. 3 is a rear elevation view thereof;  
FIG. 4 is a right side view thereof;  
FIG. 5 is a left side view thereof;  
FIG. 6 is a top view thereof;  
FIG. 7 is a bottom view thereof;  
FIG. 8 is a bottom perspective view thereof; and,  
FIG. 9 is a bottom perspective view with a power plug  
extended thereof.

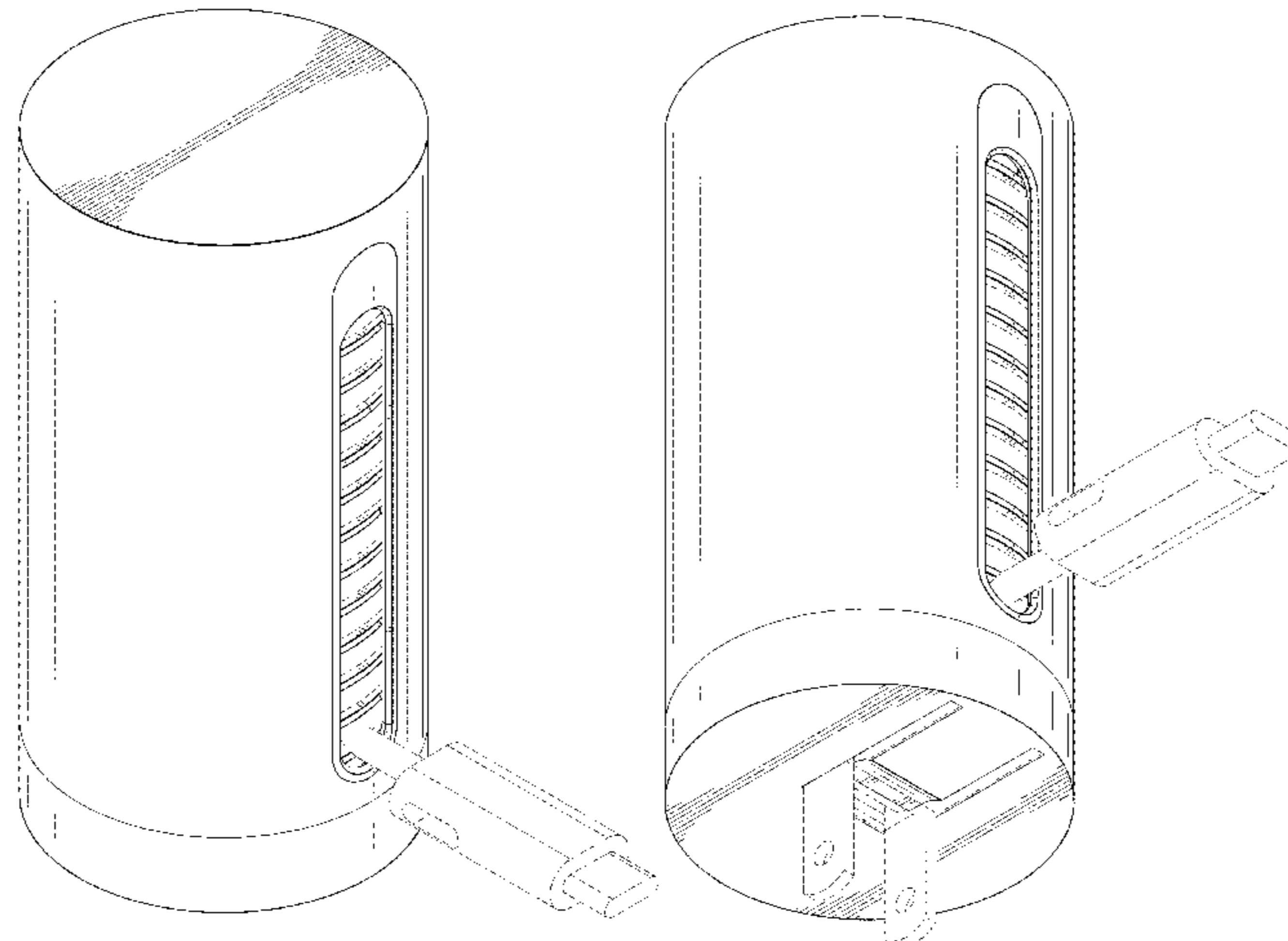
Evenly-spaced broken lines depict portions of the power  
adapter form no part of the claimed design. Dot-Dash broken

(Continued)

(56) **References Cited**

U.S. PATENT DOCUMENTS

D433,994 S \* 11/2000 Jobs ..... D13/110  
7,510,446 B1 \* 3/2009 Yu ..... H01R 13/72  
439/501  
7,601,023 B1 \* 10/2009 Ma ..... H01R 31/06  
439/518  
7,632,137 B1 \* 12/2009 Ma ..... H01R 31/06  
439/518



lines depict claim boundaries that form no part of the claimed design. Areas contained by dot-dash broken lines form no part of the claimed design.

**1 Claim, 9 Drawing Sheets**

(56)

**References Cited**

U.S. PATENT DOCUMENTS

D675,012	S	*	1/2013	Votel	.....	D3/215
D675,013	S	*	1/2013	Votel	.....	D3/215
D697,304	S	*	1/2014	Westfall	.....	D3/215
D707,957	S	*	7/2014	Oas	.....	D3/215
D743,398	S		11/2015	Smith et al.		
D743,889	S		11/2015	Lyles et al.		
D765,975	S	*	9/2016	Hoofnagle	.....	D3/215
D807,825	S	*	1/2018	Miller	.....	D13/133
D807,826	S	*	1/2018	Miller	.....	D13/133
D809,456	S	*	2/2018	Miller	.....	D13/110

OTHER PUBLICATIONS

Lenovo, "Lenovo Power Bank PB500 Black (10,000 mAh)—On the Go Phone/ Tablet Charger," downloaded from <https://www.lenovo.com/us/en/accessories-and-monitors/chargers-and-batteries/power-banks/PWRBK-BO-Power-Bank-PB500-Black-ROW/p/GXVOJ50547>, Jun. 20, 2018, 3 pages.

Lowensohn, J., "Zolt is a tiny universal laptop power adapter that doubles as a USB charger," The Verge, Jan. 6, 2015, 3 pages.

\* cited by examiner

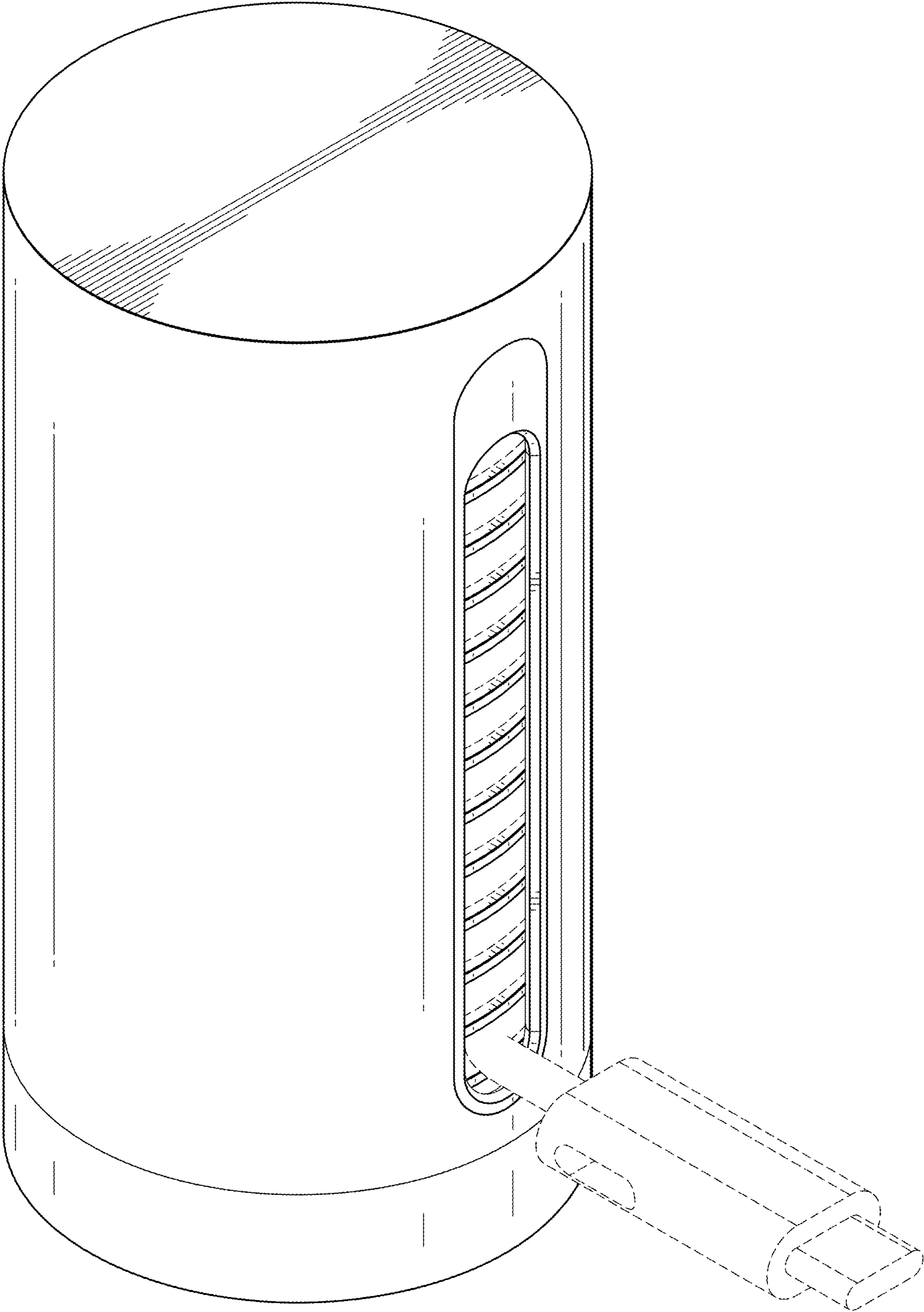


FIG. 1

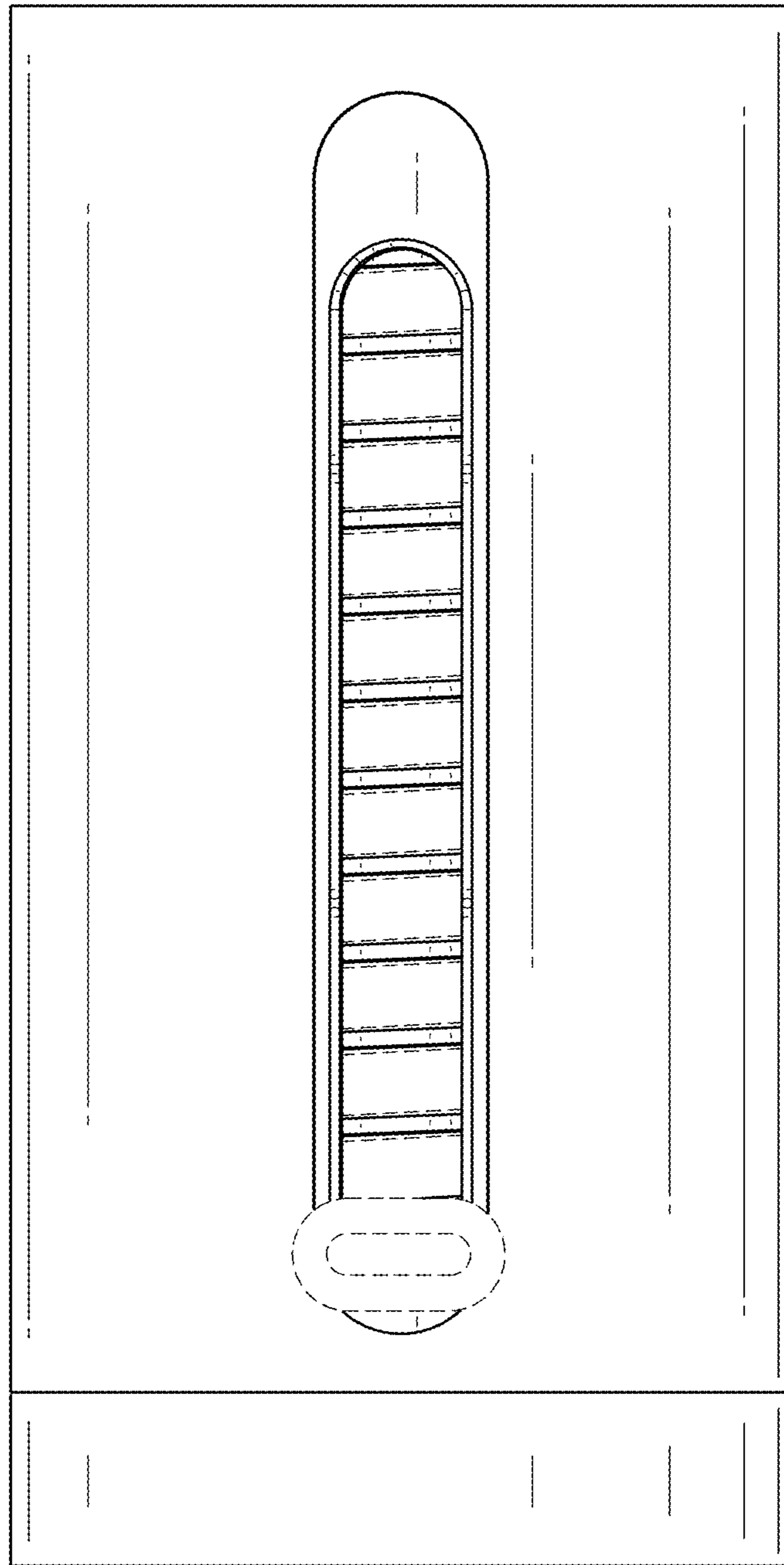


FIG. 2

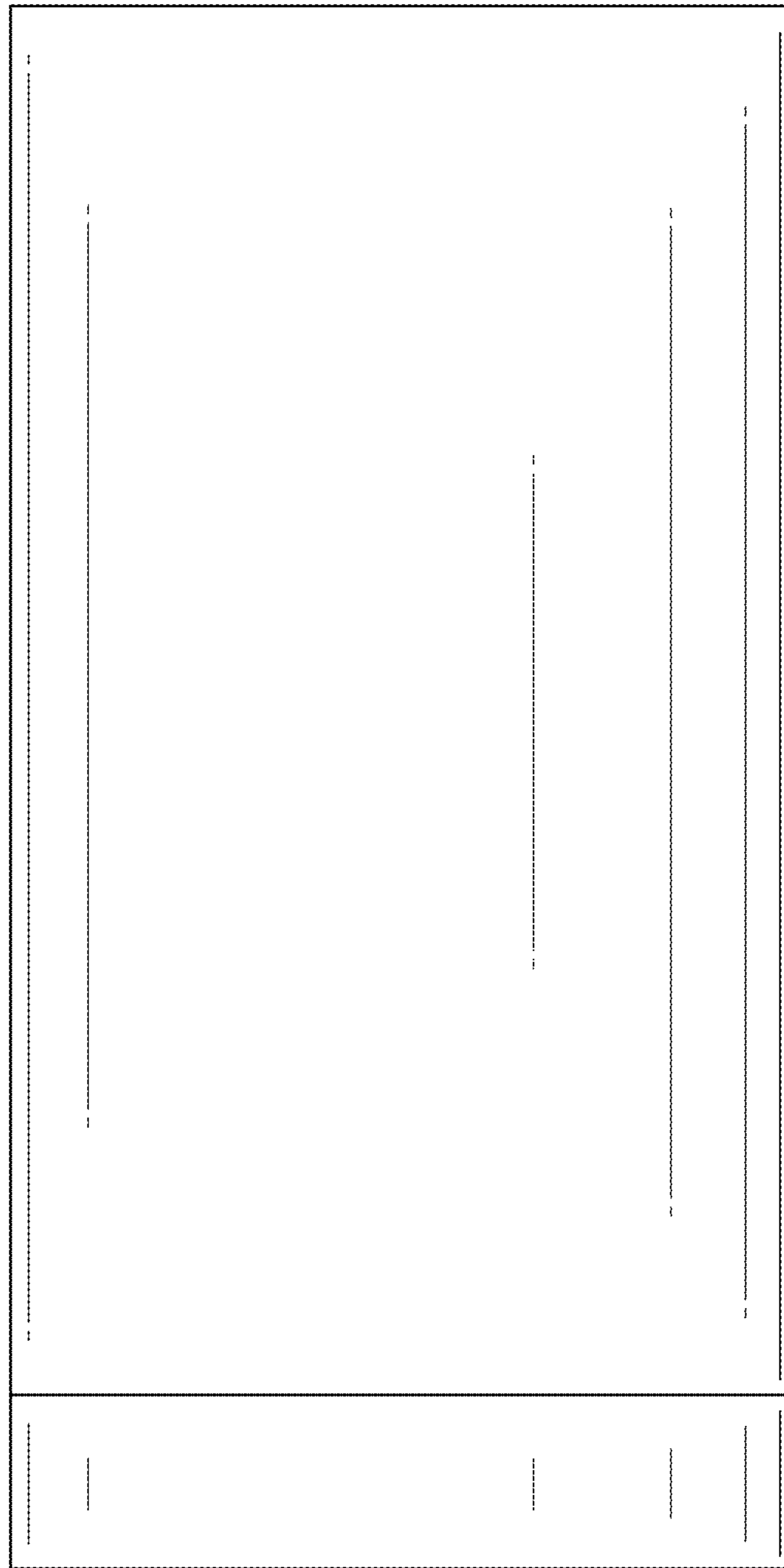


FIG. 3



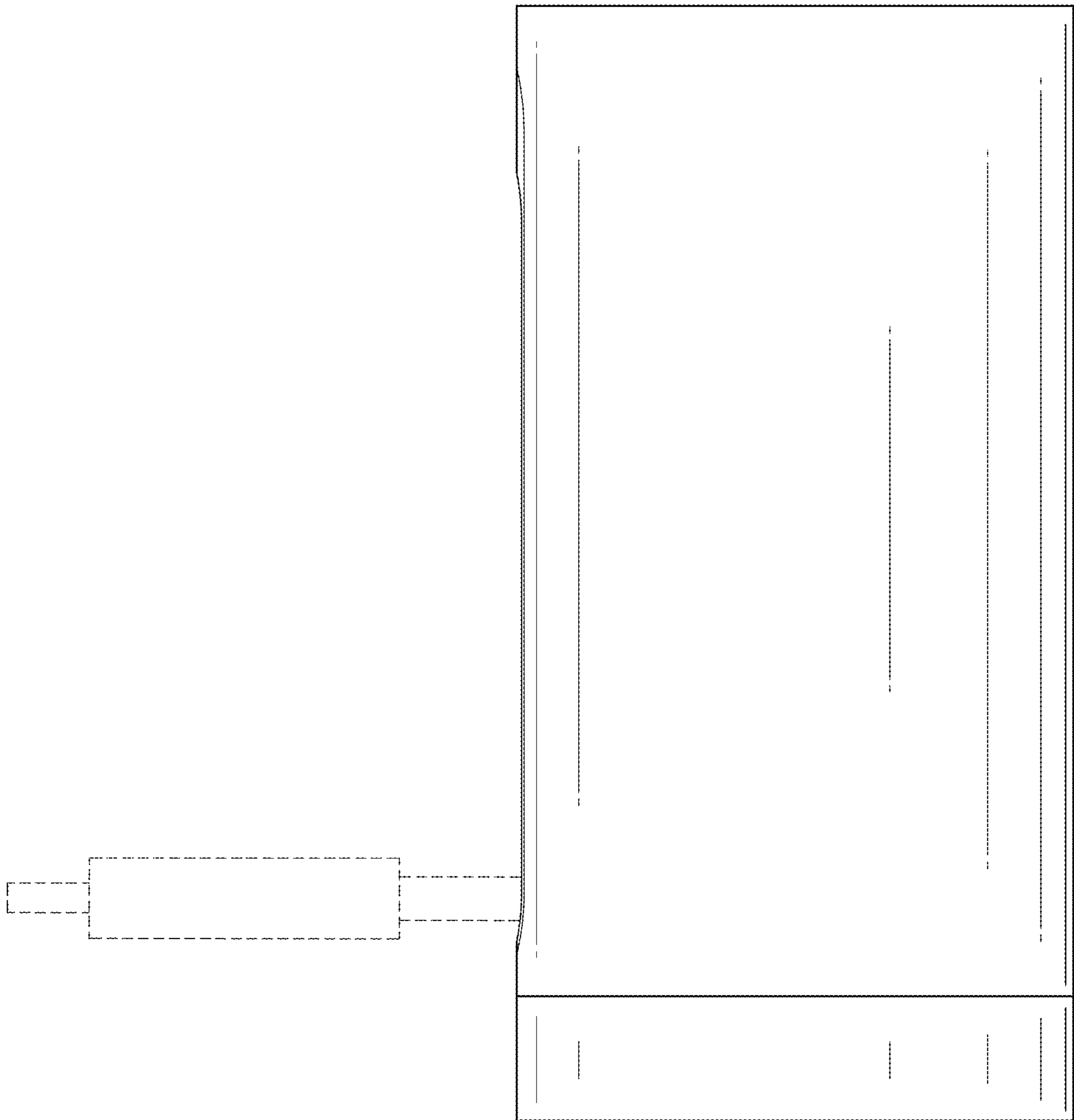


FIG. 4

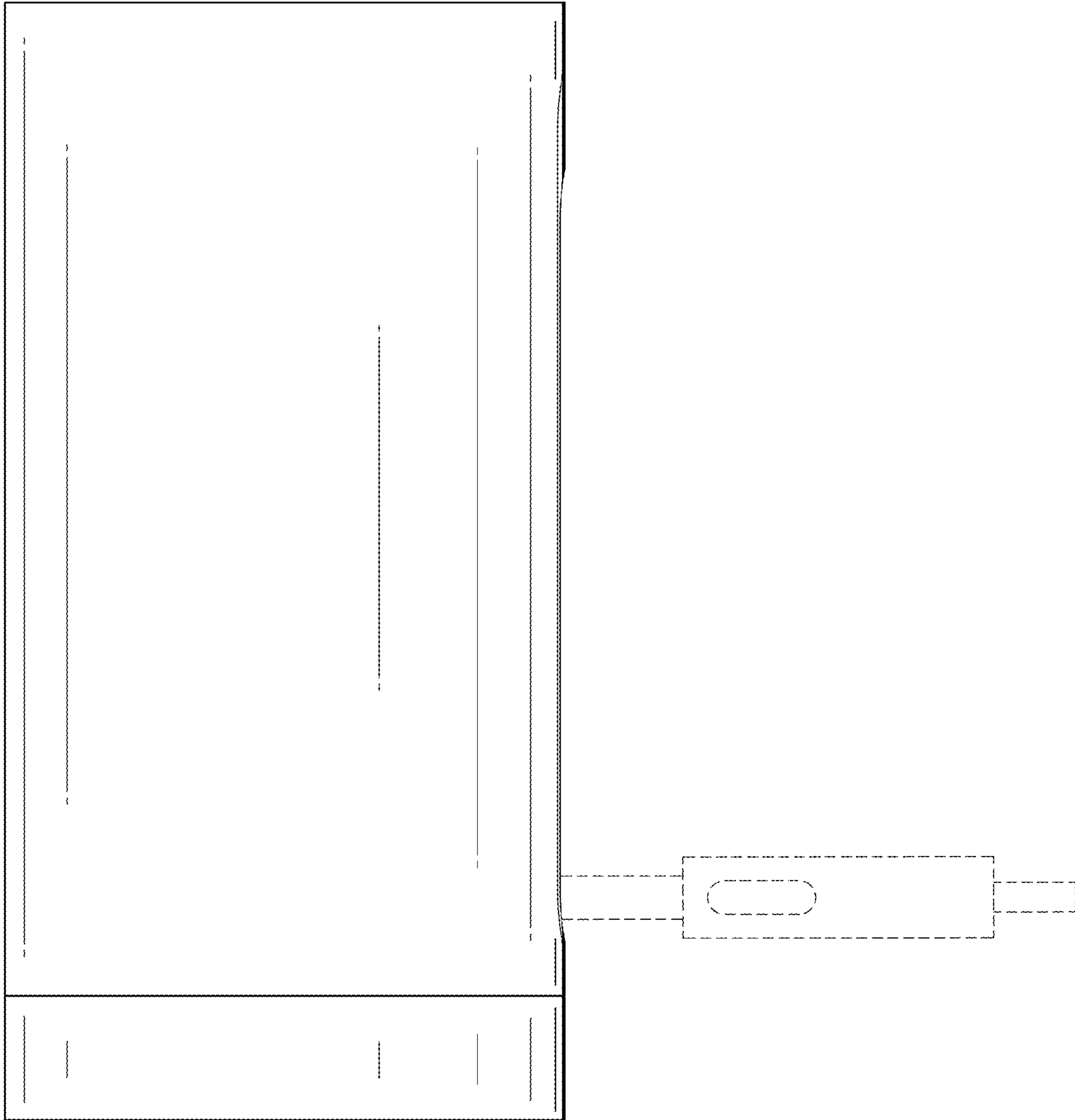


FIG. 5

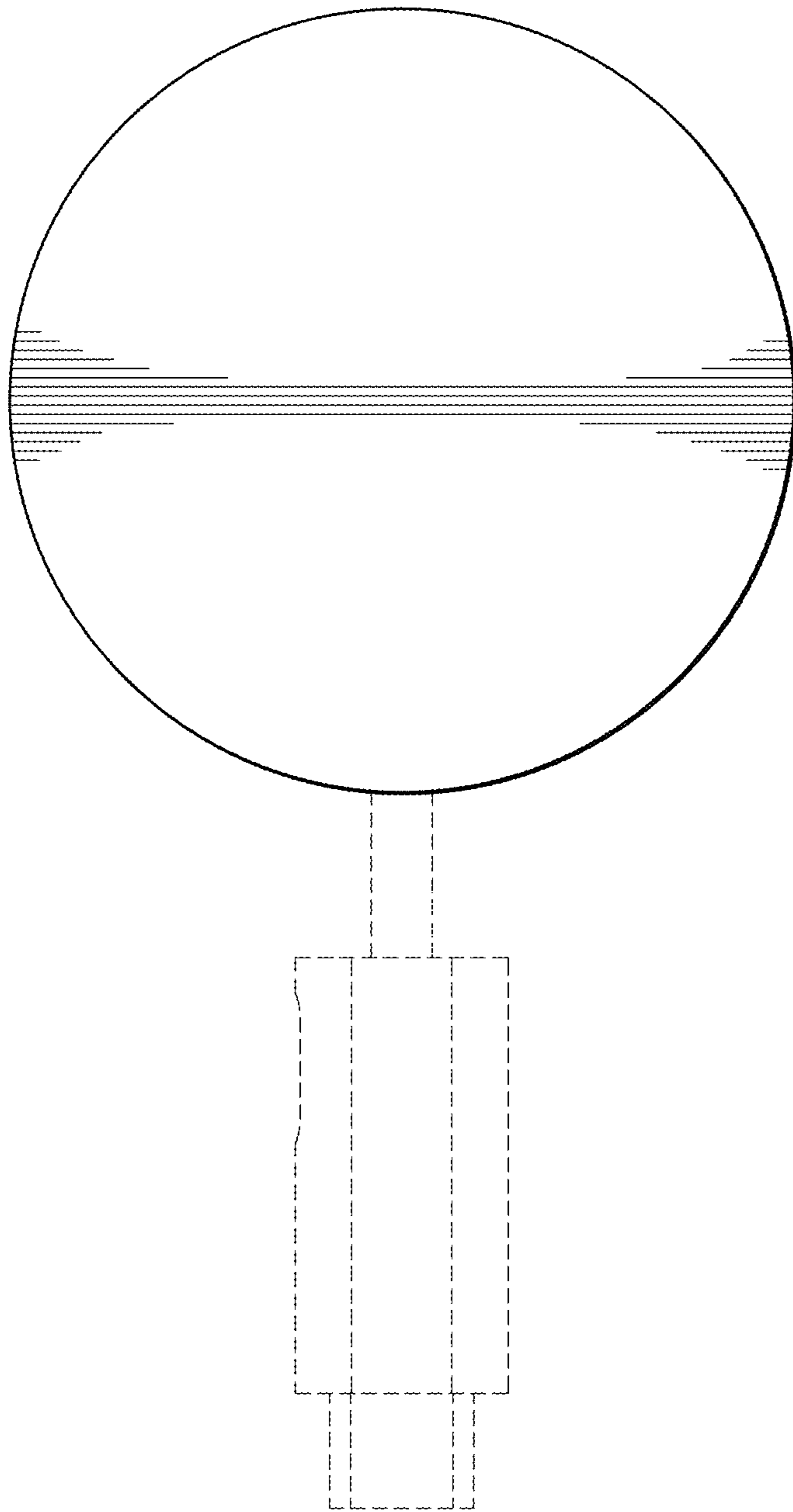


FIG. 6



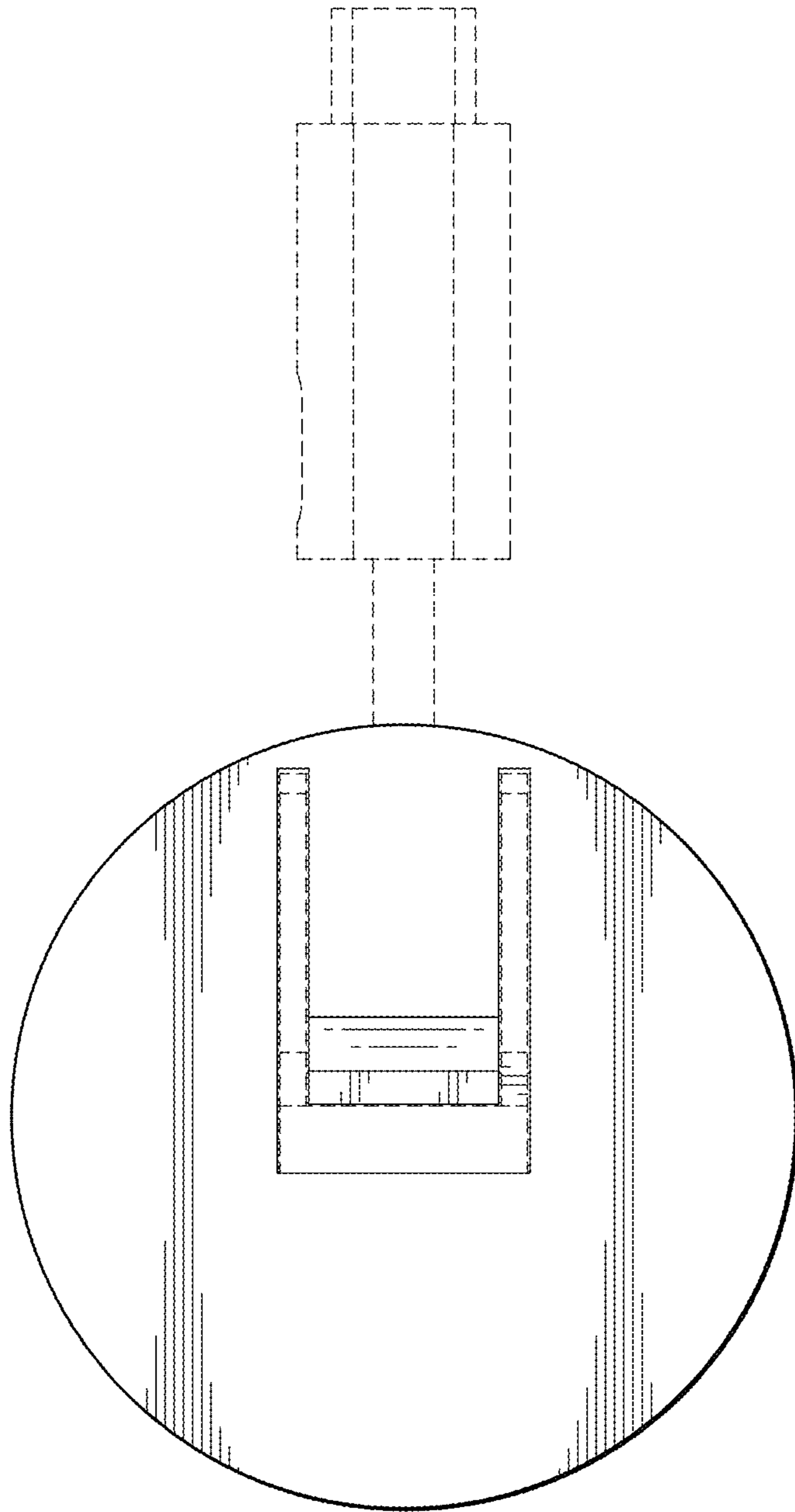


FIG. 7

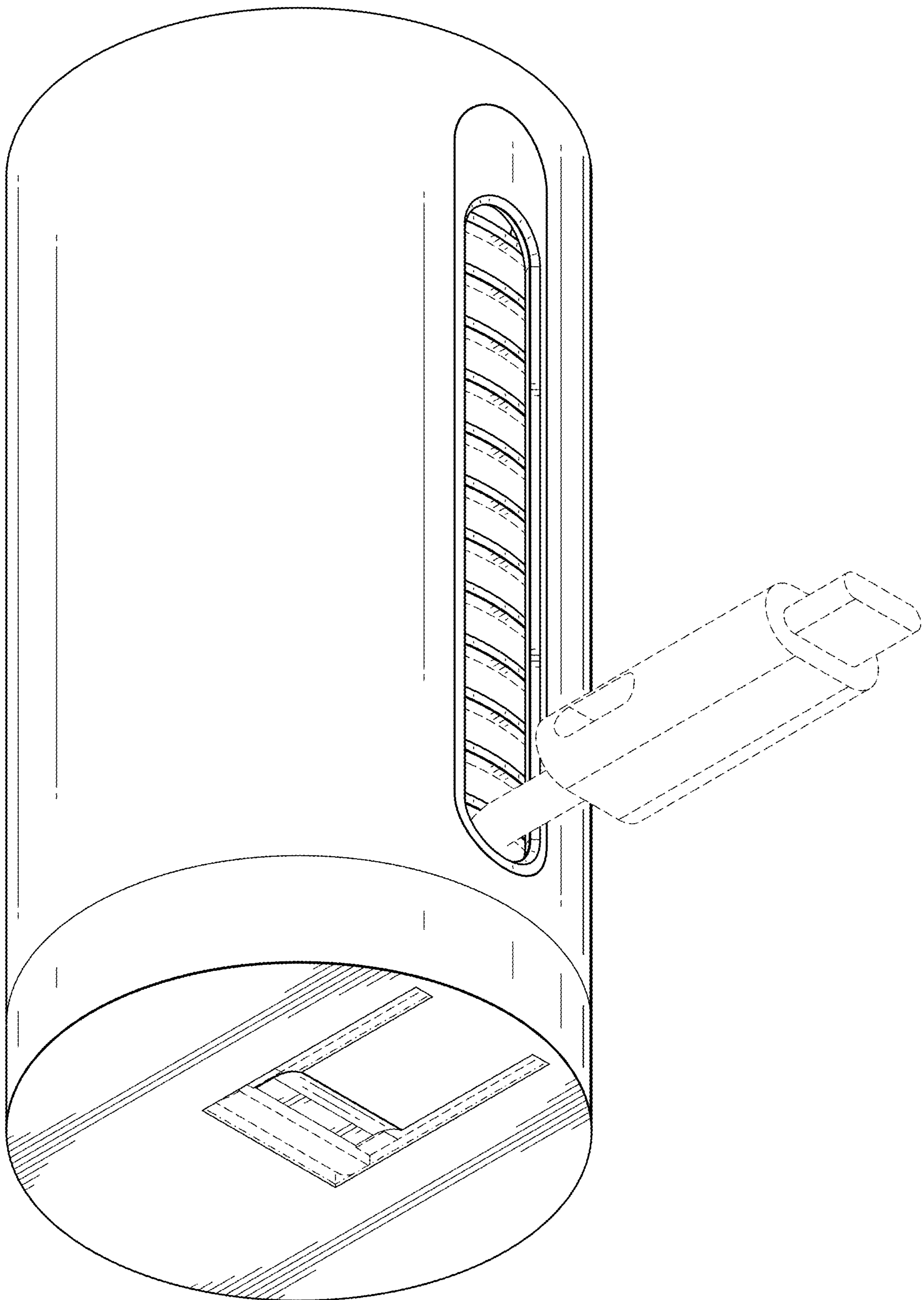


FIG. 8

