



US00D884625S

(12) **United States Design Patent**
Li

(10) **Patent No.:** **US D884,625 S**

(45) **Date of Patent:** **** May 19, 2020**

(54) **WIRELESS CHARGER**

(71) Applicant: **Shenzhen Chengrui Technology Co., Ltd.**, Shenzhen (CN)

(72) Inventor: **Guang Li**, Lianyuan (CN)

(**) Term: **15 Years**

(21) Appl. No.: **29/716,610**

(22) Filed: **Dec. 11, 2019**

(51) **LOC (12) Cl.** **13-02**

(52) **U.S. Cl.**
USPC **D13/108**

(58) **Field of Classification Search**
USPC D13/103, 107-108, 110, 118, 184, 199;
D14/251, 253, 432, 434
CPC H02J 7/02; H02J 7/0013; H02J 7/0021;
H02J 7/0022; H02J 7/0026; H02J 7/0027;
H02J 7/0042; H02J 7/0044; H02J 7/0045;
H02J 7/0003; H02J 7/005; H02J 7/025;
H02J 50/00; H02J 50/10; H02J 50/12;
H02J 50/40; H02J 50/402; H02J 50/50;
H02J 50/80; H01M 10/44; H01M 10/441
See application file for complete search history.

(56) **References Cited**

U.S. PATENT DOCUMENTS

D656,097 S *	3/2012	Nomi	D13/108
D656,459 S *	3/2012	Crawley	D13/108
D668,605 S *	10/2012	Park	D13/108
D723,459 S *	3/2015	Dang	D13/108
D729,163 S *	5/2015	Meyer	D13/107
D793,958 S *	8/2017	Rautiainen	D13/108
D808,902 S *	1/2018	Qiu	D13/108
D816,027 S	4/2018	Chen		
D842,805 S *	3/2019	Kato	D13/108
D842,806 S	3/2019	Song et al.		

D863,219 S *	10/2019	Chen	D13/108
D867,282 S	11/2019	Feng		
D872,690 S *	1/2020	Williams	D13/108
D873,213 S *	1/2020	Wu	D13/108
D873,214 S *	1/2020	Wu	D13/108
2018/0323636 A1 *	11/2018	Makwinski	H02J 7/025
2019/0148966 A1 *	5/2019	Choi	H02J 7/025 307/104

* cited by examiner

Primary Examiner — Rosemary K Tarcza

(74) *Attorney, Agent, or Firm* — HYIP

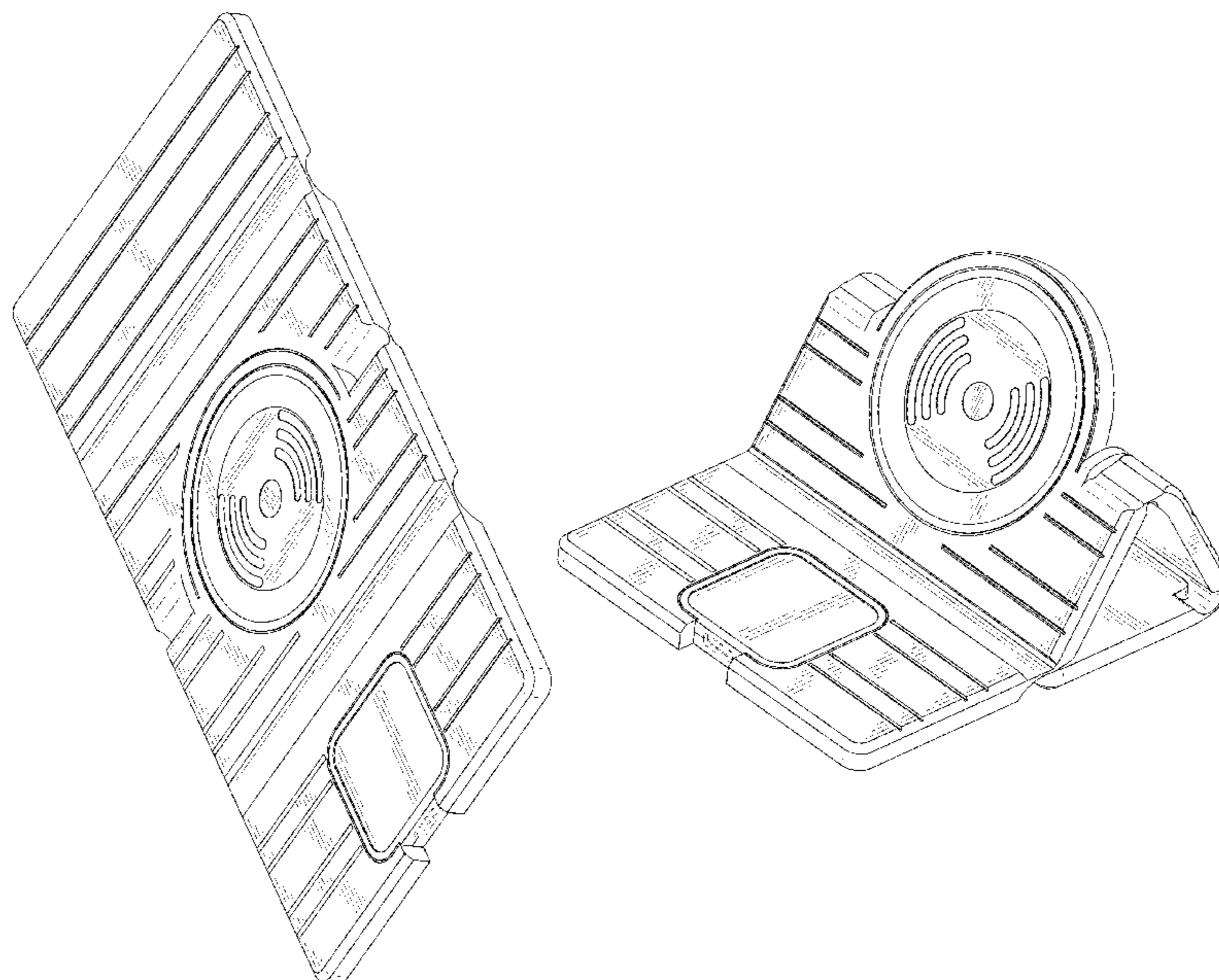
(57) **CLAIM**

The ornamental design for a wireless charger, as shown and described.

DESCRIPTION

FIG. 1 is a first perspective view of a wireless charger showing my new design;
 FIG. 2 is a second perspective view thereof;
 FIG. 3 is a front view thereof;
 FIG. 4 is a back view thereof;
 FIG. 5 is a left side view thereof;
 FIG. 6 is a right side view thereof;
 FIG. 7 is a top view thereof;
 FIG. 8 is a bottom view thereof;
 FIG. 9 is a perspective view of another state of the wireless charger thereof;
 FIG. 10 is a perspective view of futher another state of the wireless charger thereof;
 FIG. 11 is a perspective view of futher another state of the wireless charger thereof; and,
 FIG. 12 is a perspective view of futher another state of the wireless charger thereof.
 The broken lines shown in the drawings depict portions of the wireless charger in which the design is embodied that form no part of the claimed design.

1 Claim, 12 Drawing Sheets



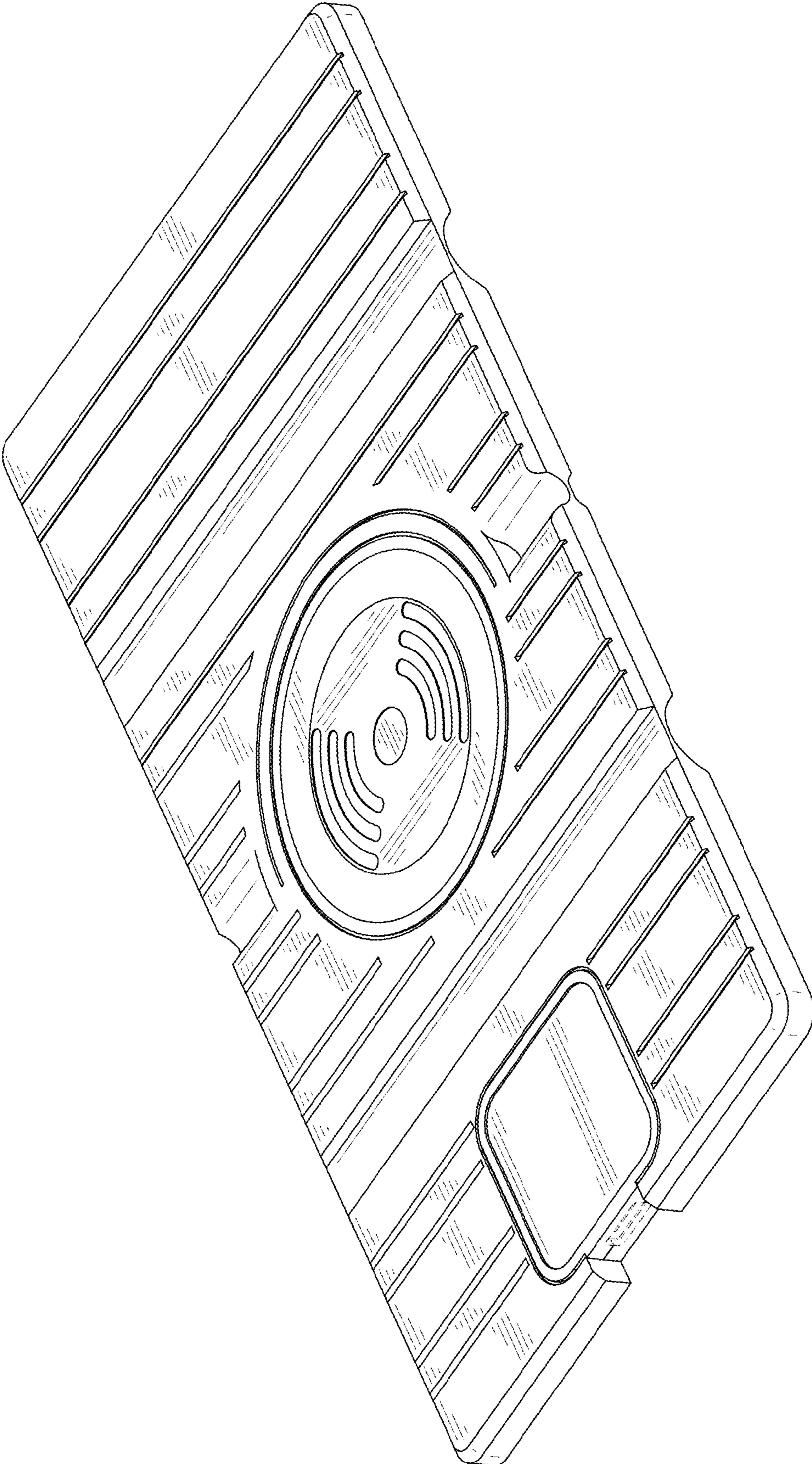


FIG. 1

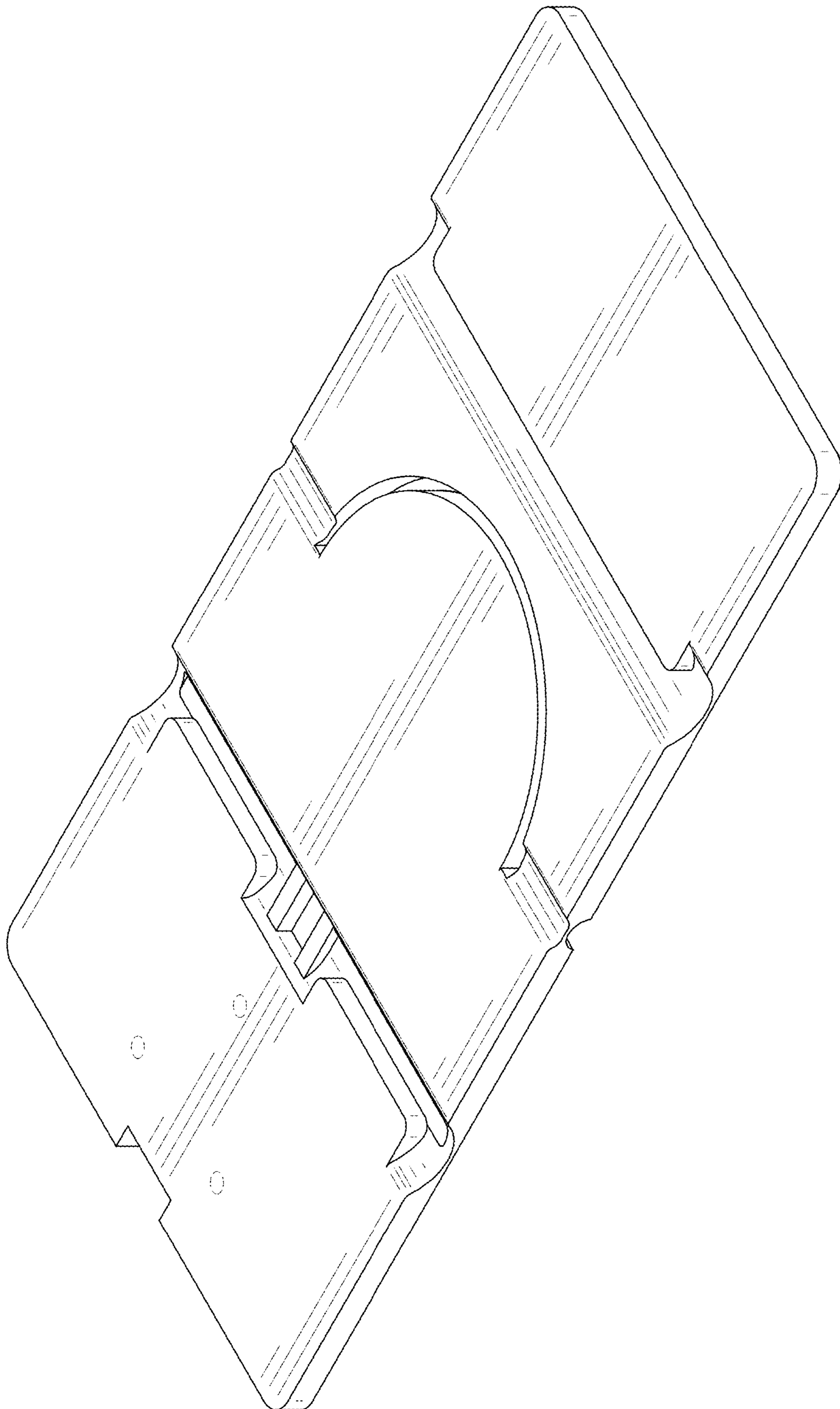


FIG. 2

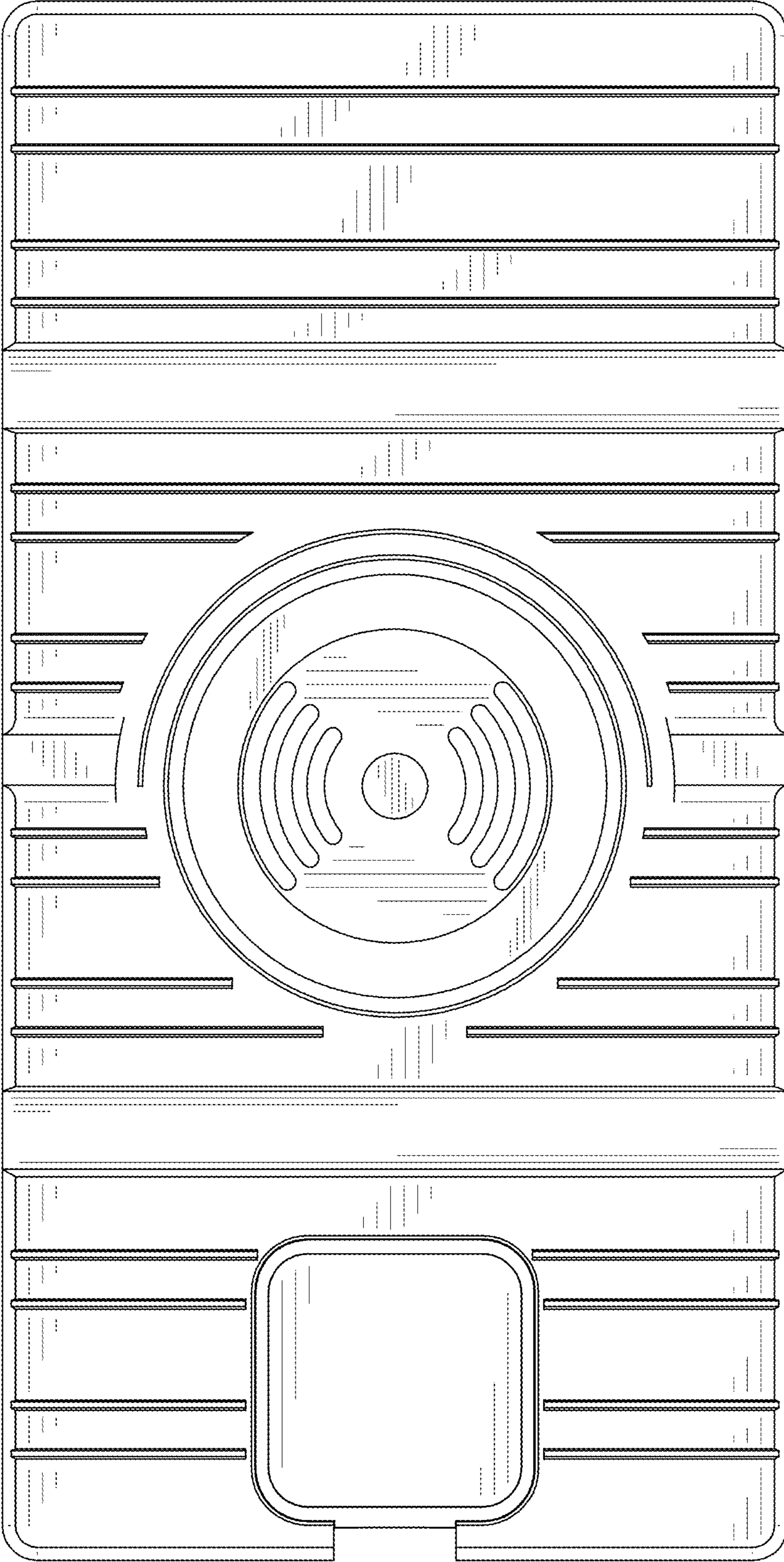


FIG. 3

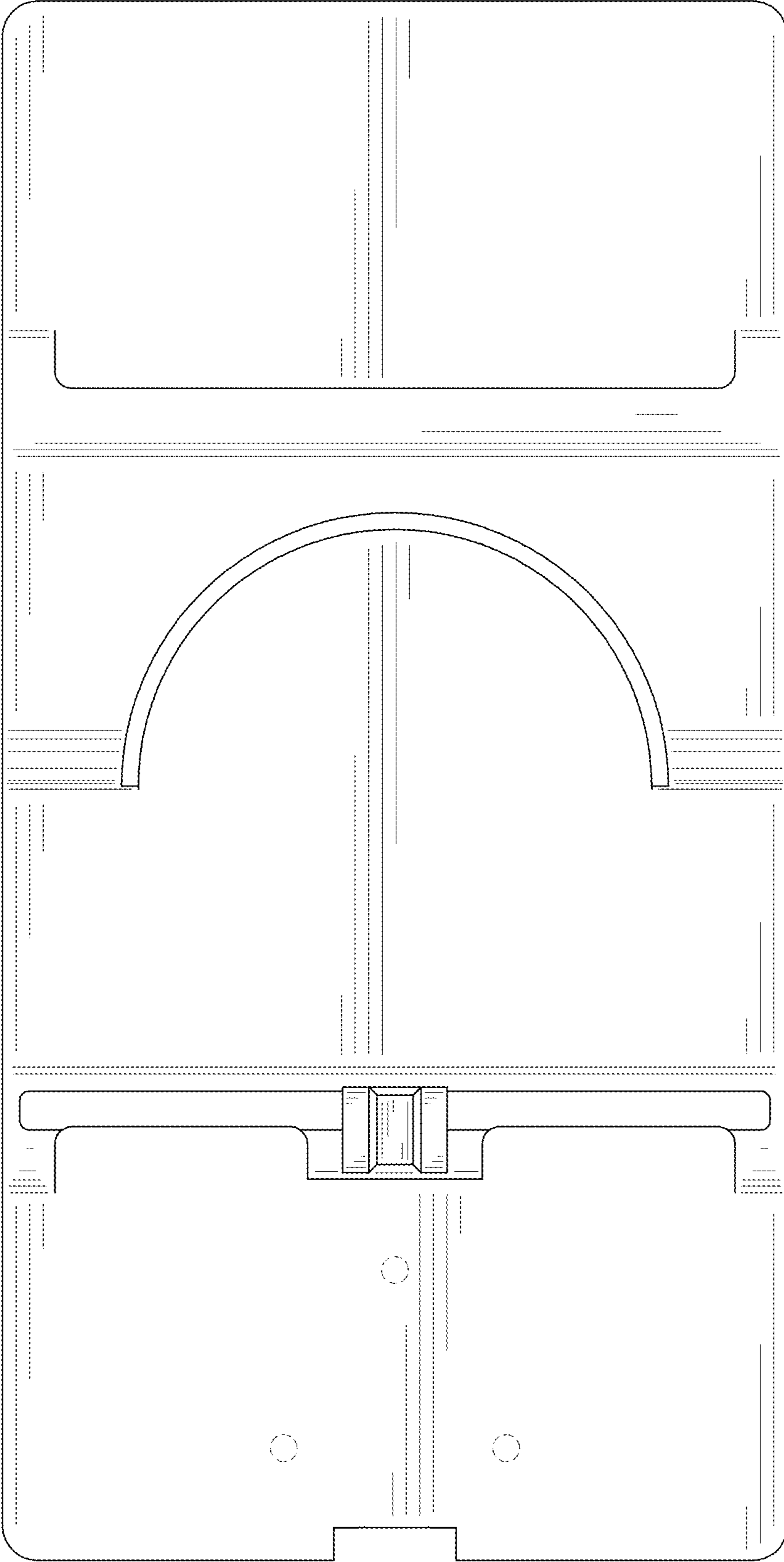


FIG. 4



FIG. 5



FIG. 6



FIG. 7



FIG. 8

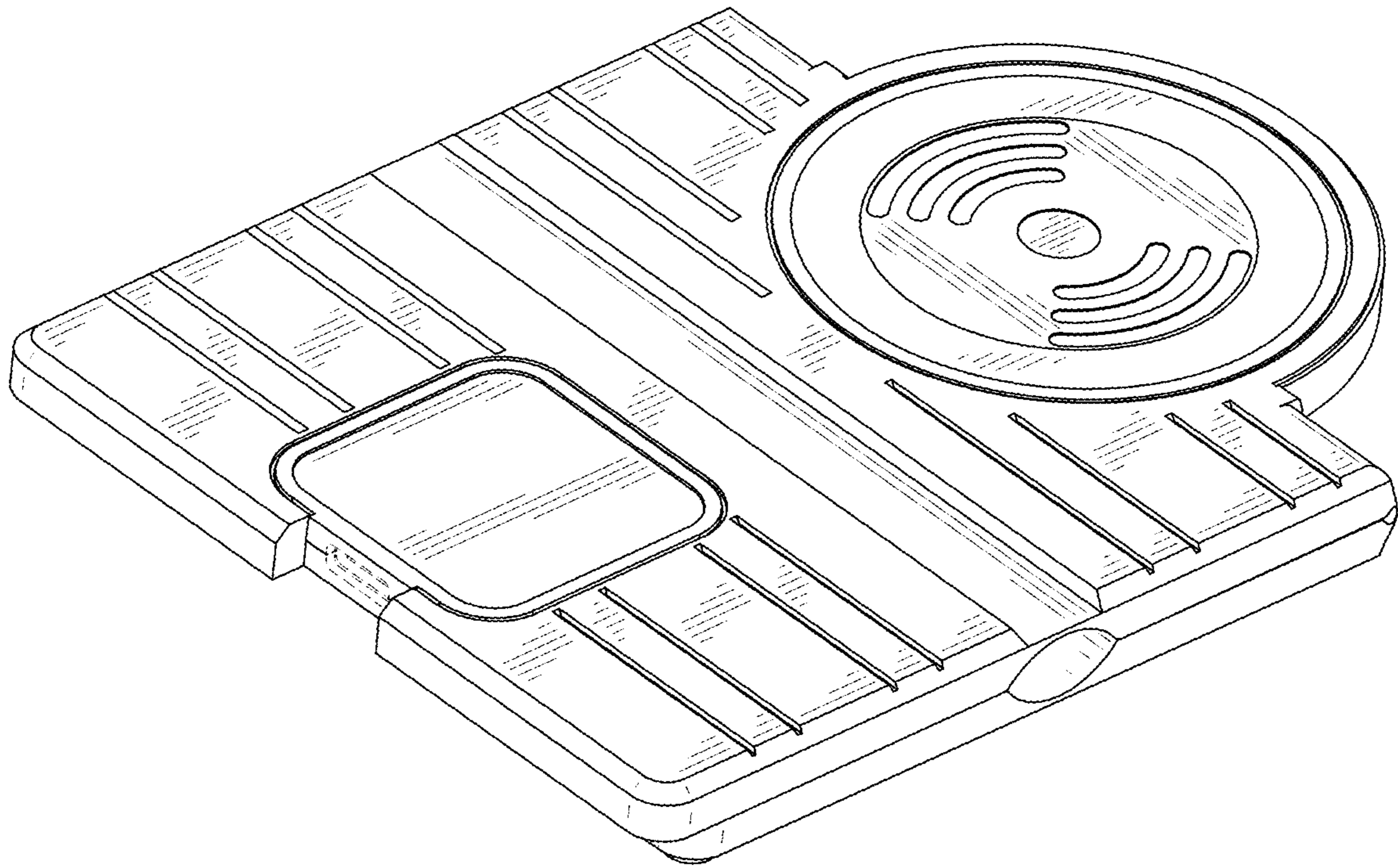


FIG. 9

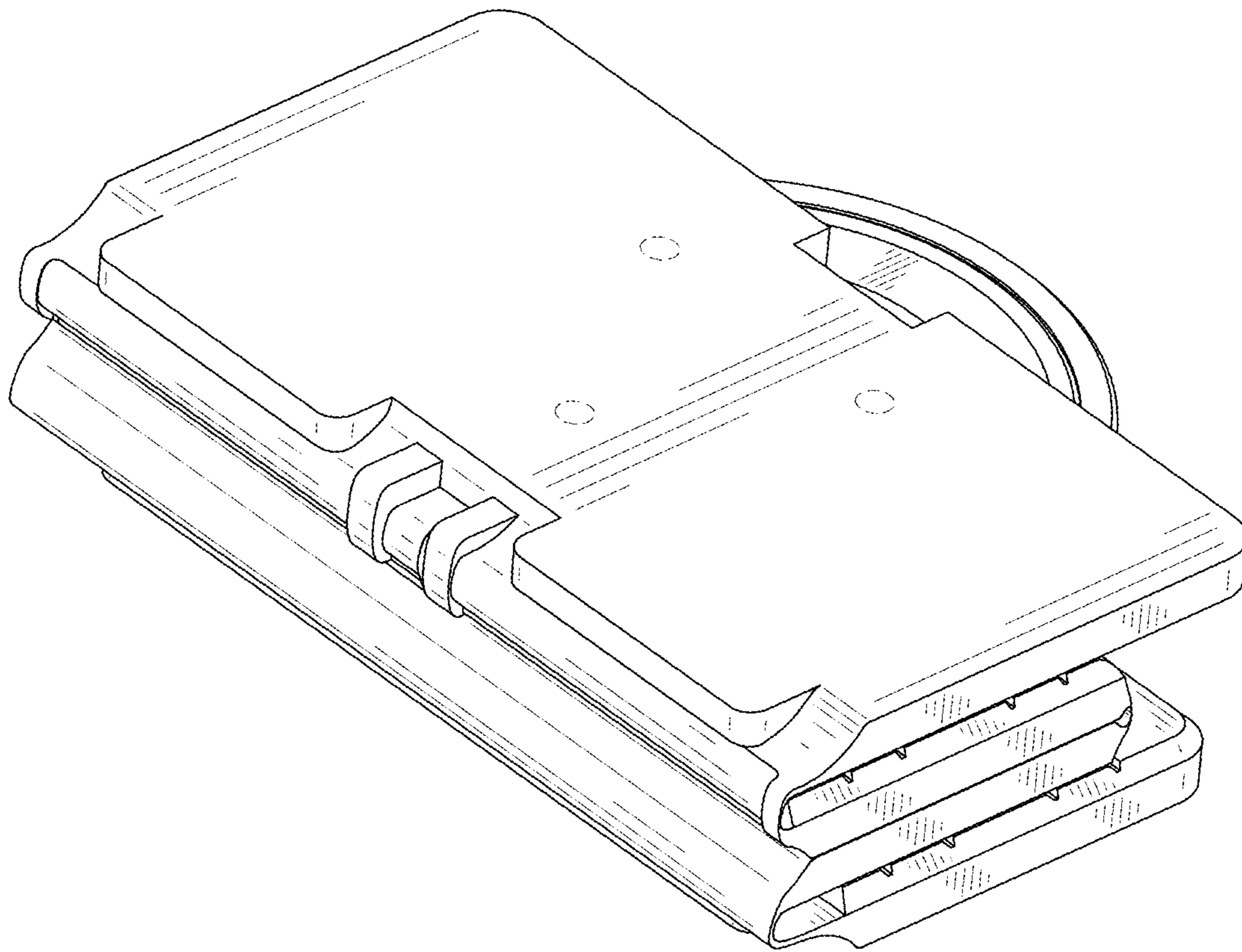


FIG. 10

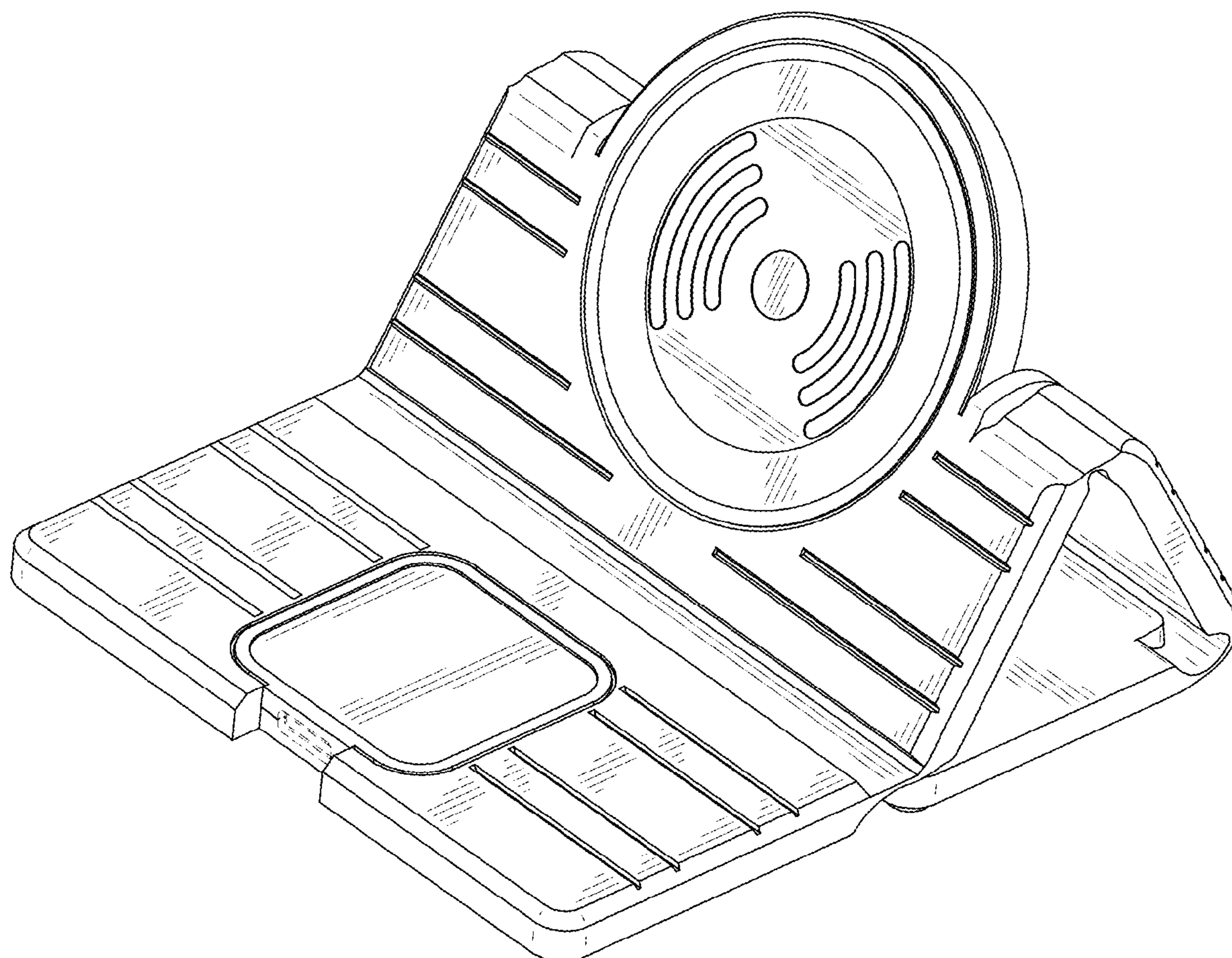


FIG. 11

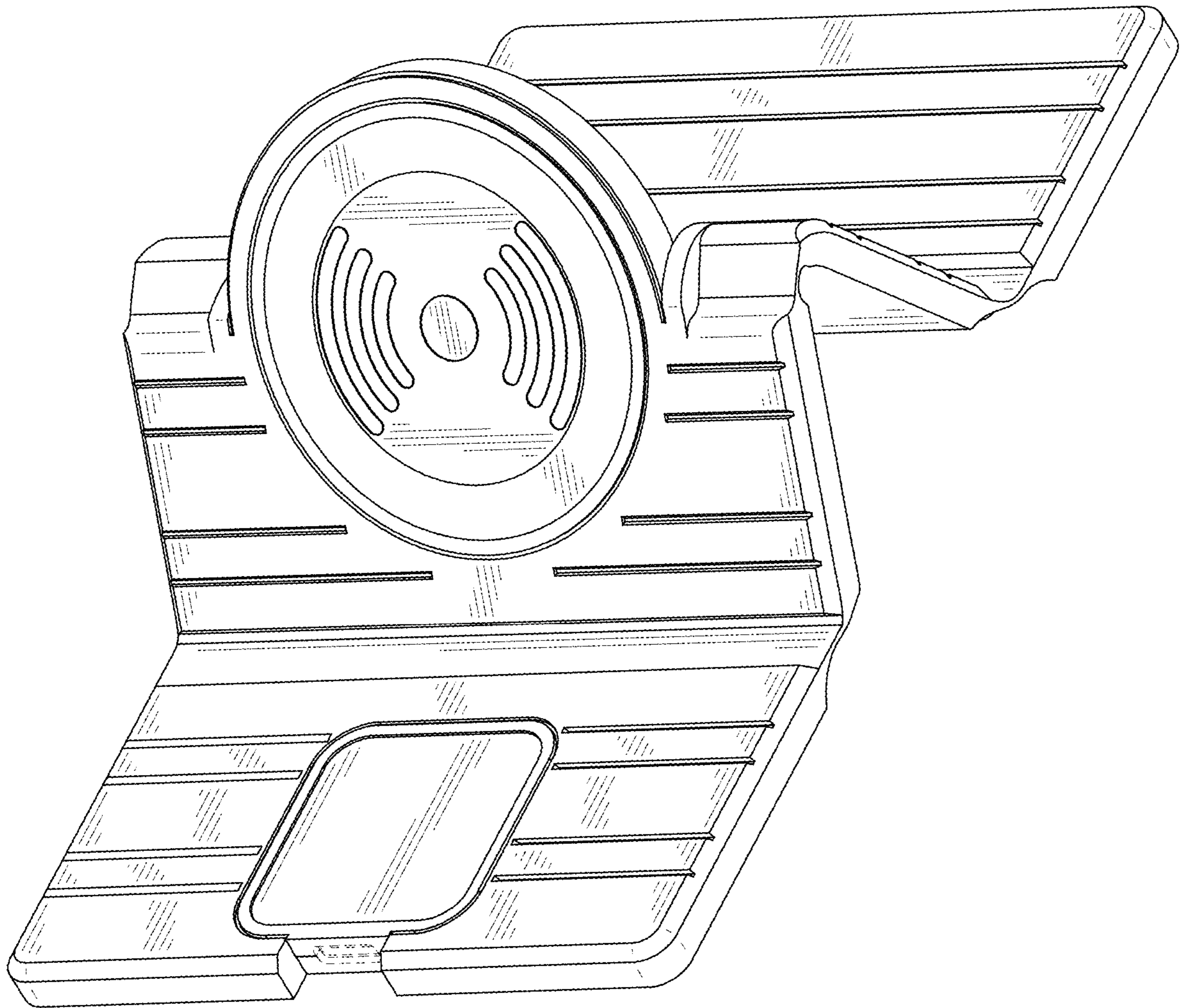


FIG. 12