



US00D884624S

(12) **United States Design Patent**
Lei

(10) **Patent No.:** **US D884,624 S**

(45) **Date of Patent:** **** May 19, 2020**

(54) **CHARGER BASE FOR ELECTRIC TOOTHBRUSH**

D836,547 S * 12/2018 Uttley D13/108
D870,664 S * 12/2019 Langhammer D13/108
D870,665 S * 12/2019 Schubert D13/108

(71) Applicant: **Bin Lei**, Foshan (CN)

* cited by examiner

(72) Inventor: **Bin Lei**, Foshan (CN)

Primary Examiner — Nathaniel D. Buckner

(**) Term: **15 Years**

(74) *Attorney, Agent, or Firm* — Jie Yang; ZANIP

(21) Appl. No.: **29/710,217**

(22) Filed: **Oct. 22, 2019**

(51) **LOC (12) Cl.** **13-02**

(52) **U.S. Cl.**
USPC **D13/108**

(58) **Field of Classification Search**
CPC combination set(s) only.
See application file for complete search history.

(57) **CLAIM**

The ornamental design for a charger base for electric toothbrush, as shown and described.

DESCRIPTION

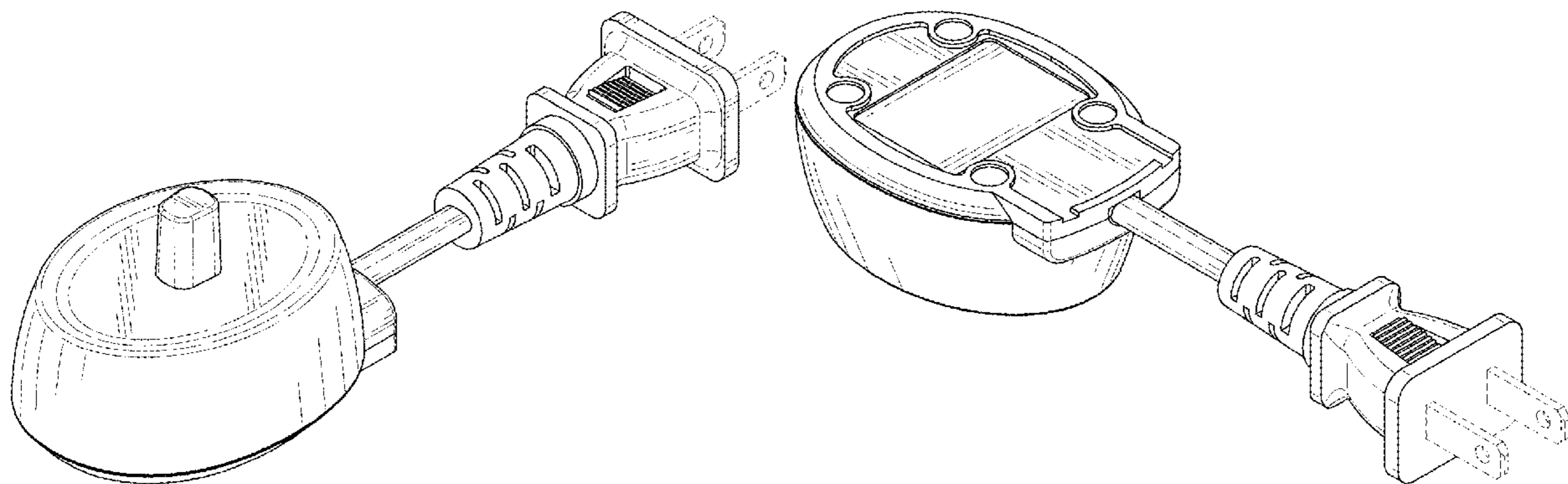
FIG. 1 is a front and top perspective view of a charger base for electric toothbrush, showing my new design; FIG. 2 is a rear and bottom perspective view thereof; FIG. 3 is a front elevational view thereof; FIG. 4 is a rear elevational view thereof; FIG. 5 is a left side elevational view thereof; FIG. 6 is a right side elevational view thereof; FIG. 7 is a top plan view thereof; and, FIG. 8 is a bottom plan view thereof. The broken lines in the figures illustrate portions of the charger base for electric toothbrush that form no part of the claimed design.

(56) **References Cited**

U.S. PATENT DOCUMENTS

D392,940 S *	3/1998	Shen	D13/110
D453,920 S *	2/2002	Greene	D13/108
D456,351 S *	4/2002	Yoneda	D13/108
D541,215 S *	4/2007	Vu	D13/108
D548,179 S *	8/2007	Vu	D13/108
D577,667 S *	9/2008	Beedham	D13/108
D578,475 S *	10/2008	Beedham	D13/108
D628,991 S *	12/2010	Chung	D14/224
D682,198 S *	5/2013	Vu	D13/108
D768,570 S *	10/2016	Shigeno	D13/108

1 Claim, 8 Drawing Sheets



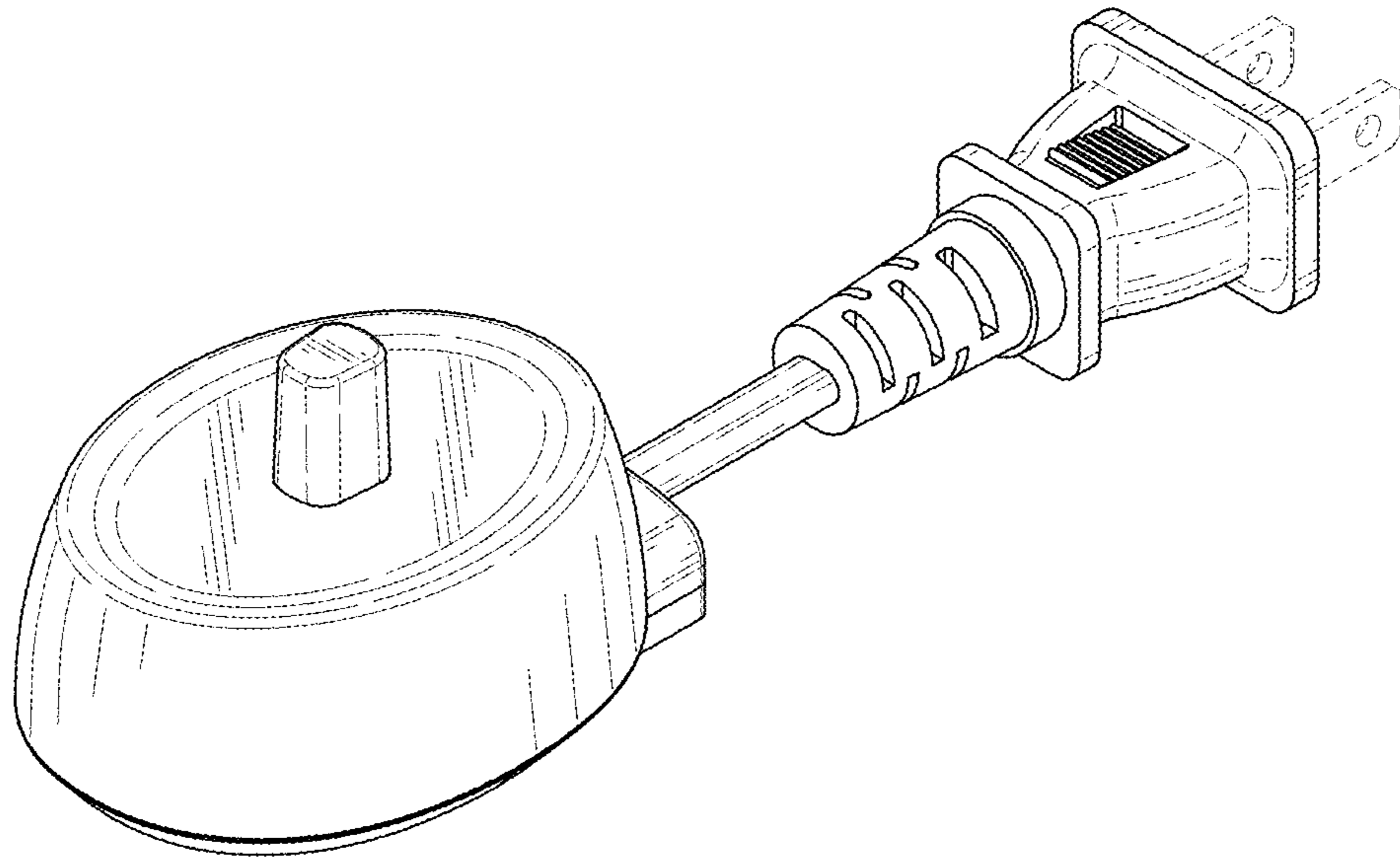


FIG. 1

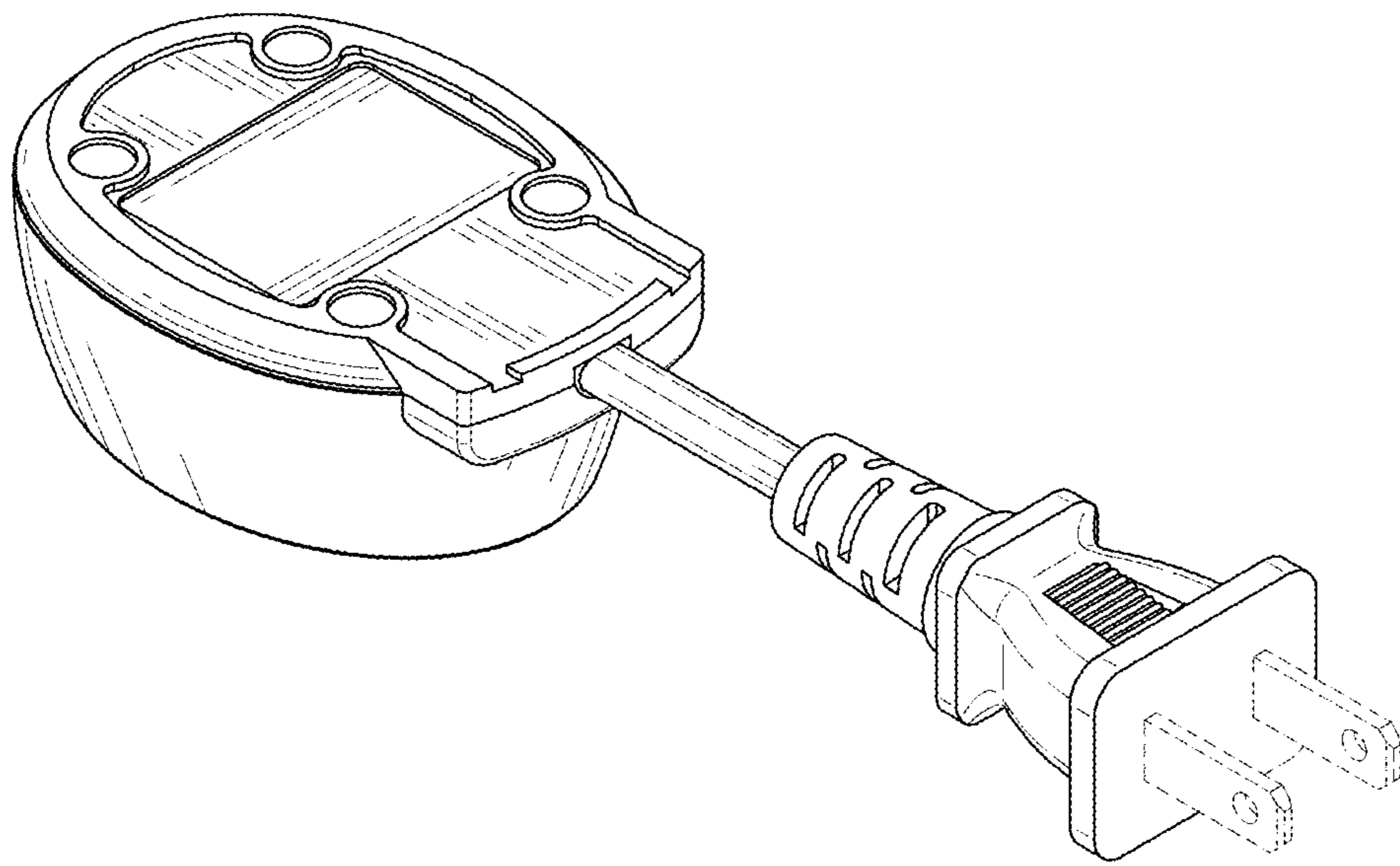


FIG. 2

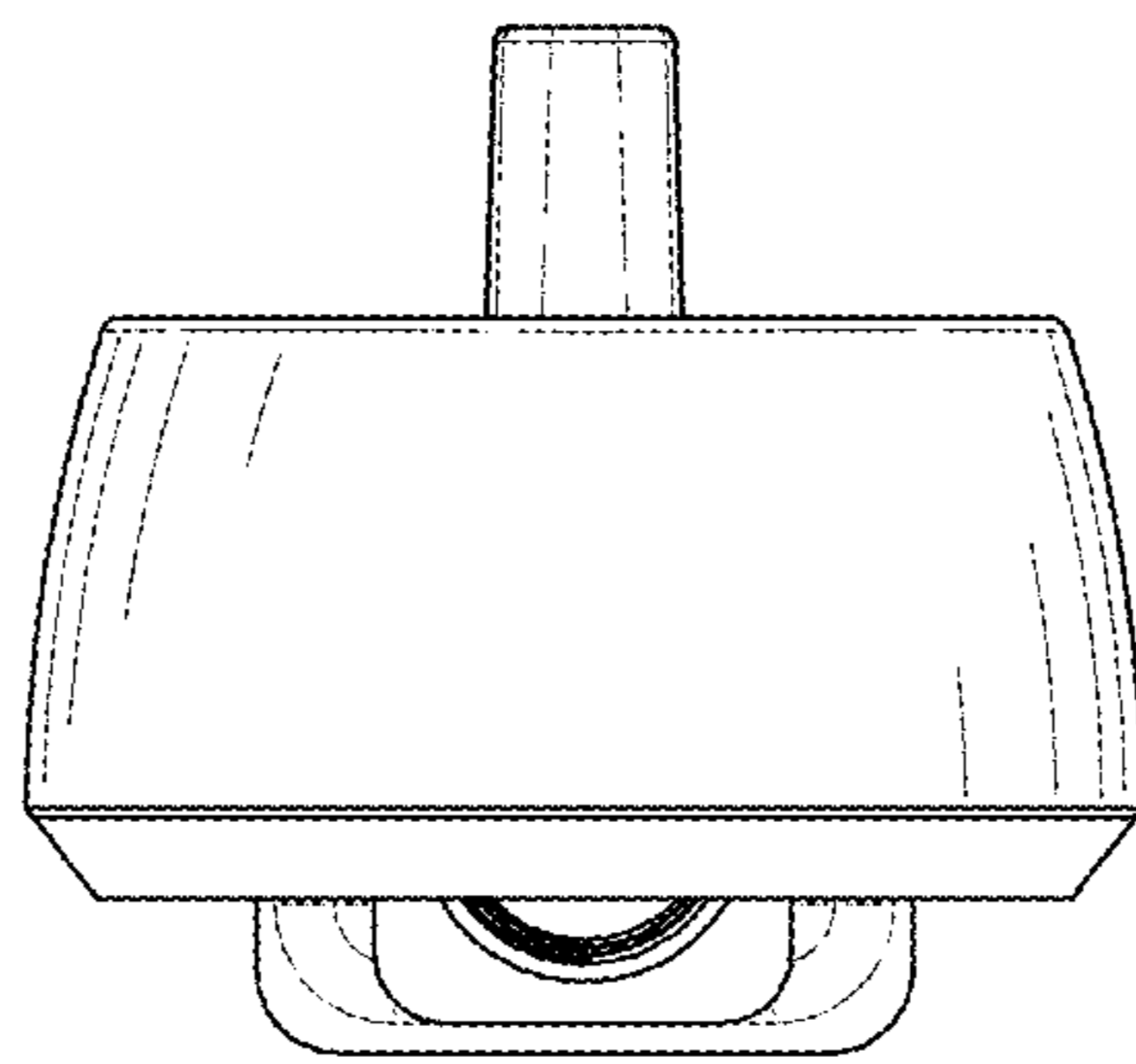


FIG. 3

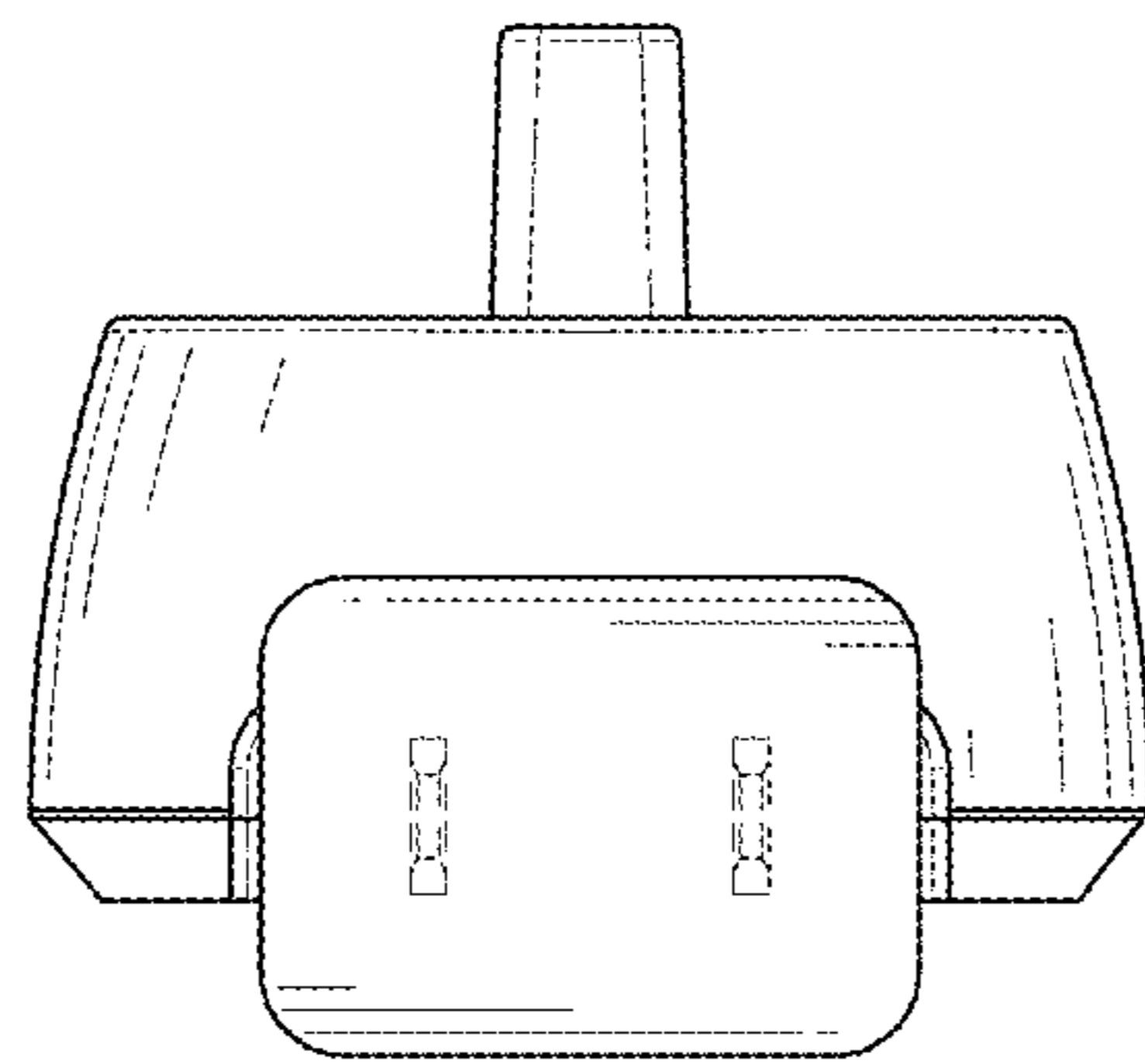


FIG. 4

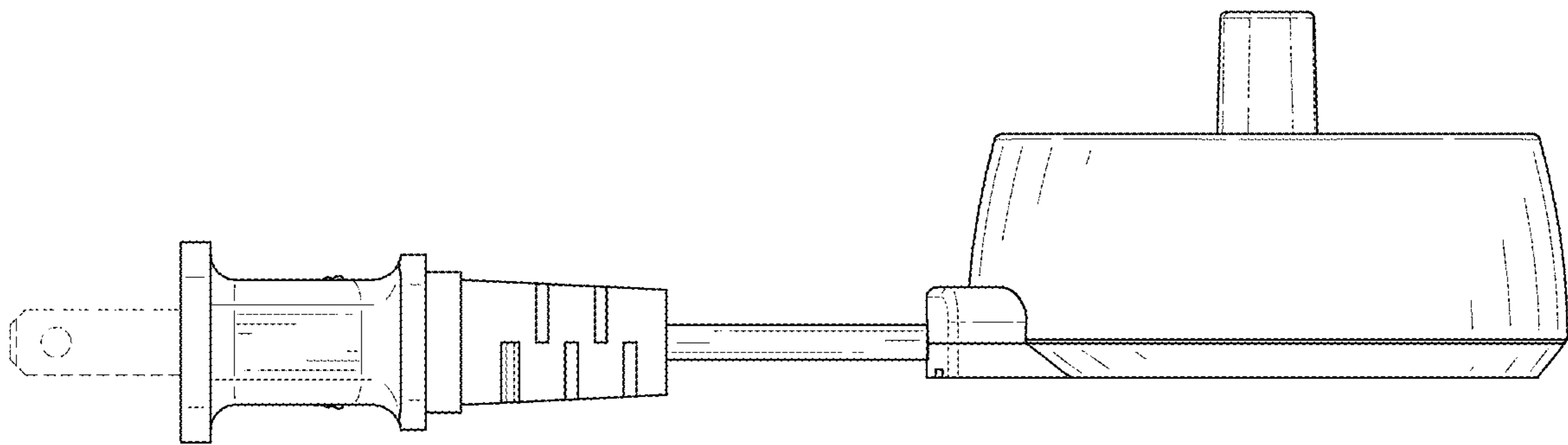


FIG. 5

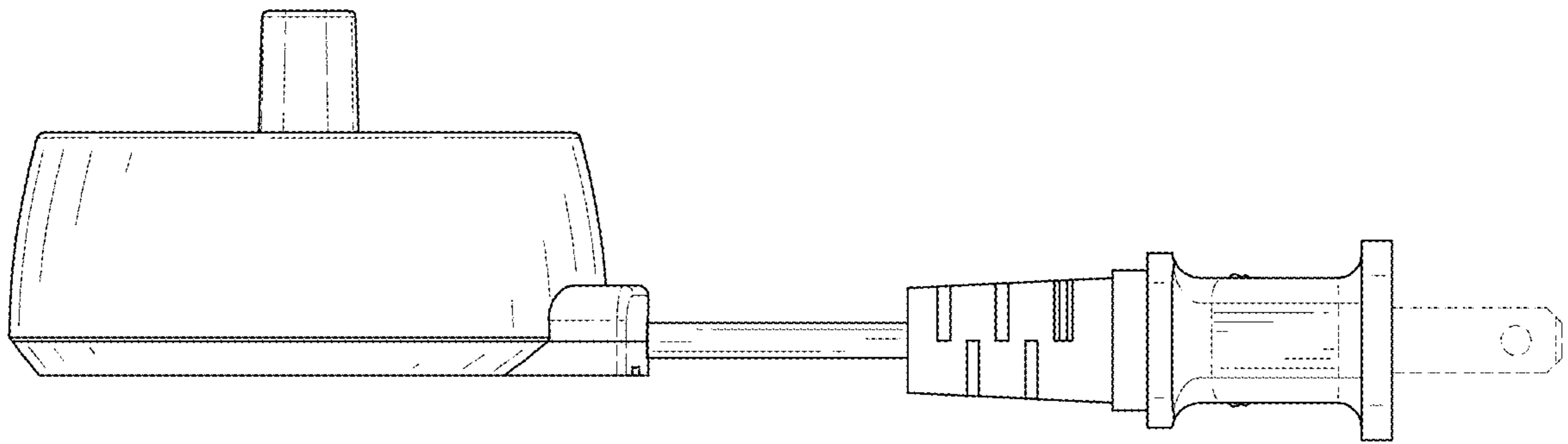


FIG. 6

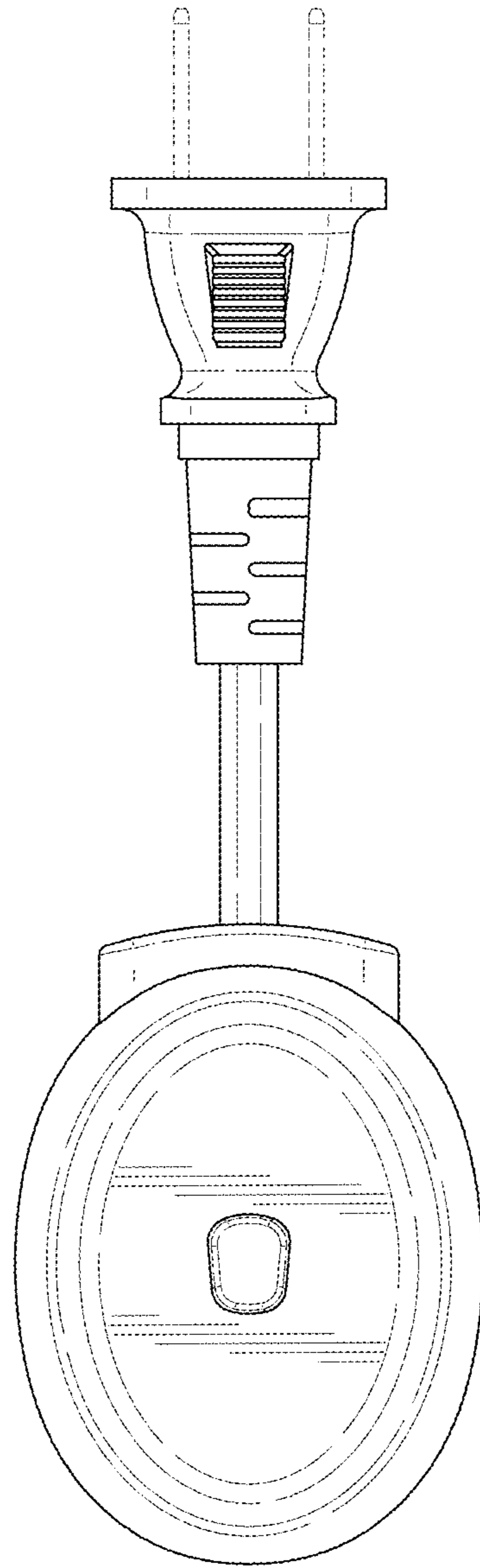


FIG. 7

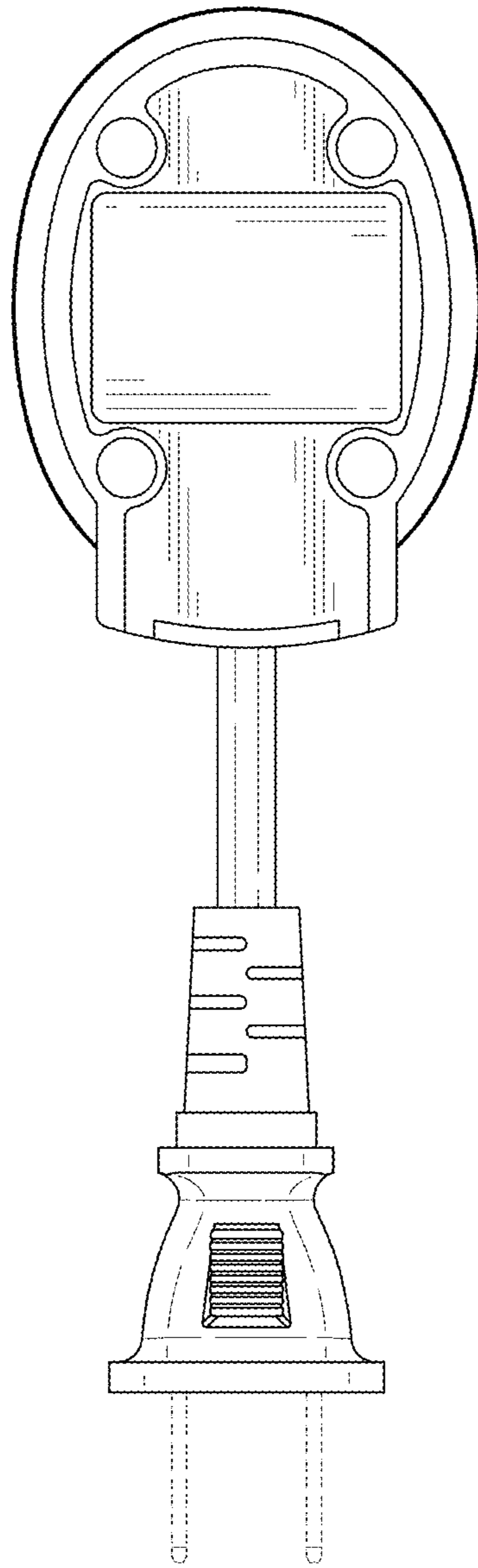


FIG. 8