



US00D884623S

(12) **United States Design Patent**
Zheng

(10) **Patent No.:** **US D884,623 S**

(45) **Date of Patent:** **** May 19, 2020**

(54) **MULTI-PORT CHARGER**

(71) Applicant: **Qiang Zheng**, Shenzhen (CN)

(72) Inventor: **Qiang Zheng**, Shenzhen (CN)

(73) Assignee: **Shenzhen HONGWEI Technology Co., Ltd**, Shenzhen (CN)

(**) Term: **15 Years**

(21) Appl. No.: **29/687,018**

(22) Filed: **Apr. 10, 2019**

(51) **LOC (12) Cl.** **13-02**

(52) **U.S. Cl.**
USPC **D13/108**

(58) **Field of Classification Search**
USPC D13/107-110, 118-119, 184; D14/251,
D14/253, 432, 434

CPC Y02E 60/12; Y02T 90/14; Y02T 90/122;
Y02T 90/128; Y02T 90/163; H02J 7/025;
H02J 7/0042; H02J 7/0044; H02J 7/0045;
H02J 7/0003; H01F 38/14; H01R
13/6675; H01M 2/1022; H01M 2/1055;
H01M 10/44; H01M 10/46; H01M
10/425; B60L 11/182

See application file for complete search history.

(56) **References Cited**

U.S. PATENT DOCUMENTS

D554,116 S * 10/2007 Liu D13/108
D572,188 S * 7/2008 Prat-Pfister D13/108

D677,503 S * 3/2013 Floyd D6/526
D730,914 S * 6/2015 Park D14/447
D761,586 S * 7/2016 Kulshreshtha D6/526
D765,623 S * 9/2016 Yang D14/224
D772,601 S * 11/2016 Christie D6/526
9,730,500 B1 * 8/2017 Provost A45D 27/29
D802,328 S * 11/2017 Wortell D6/526
D850,421 S * 6/2019 Tong D14/224
D864,920 S * 10/2019 Chong D14/224
D866,533 S * 11/2019 Chong D14/224
D872,725 S * 1/2020 Lindof D14/253

* cited by examiner

Primary Examiner — Nathaniel D. Buckner

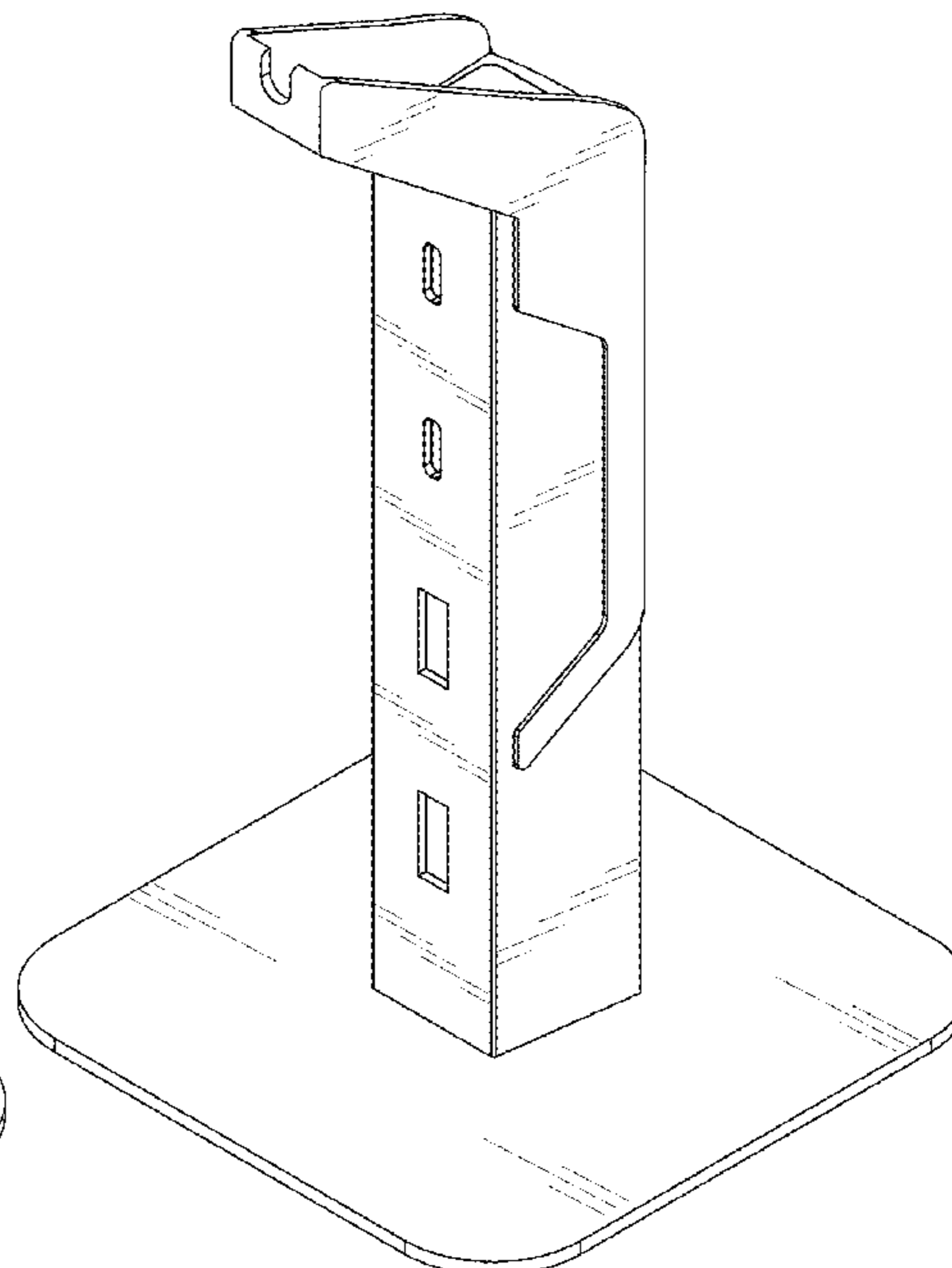
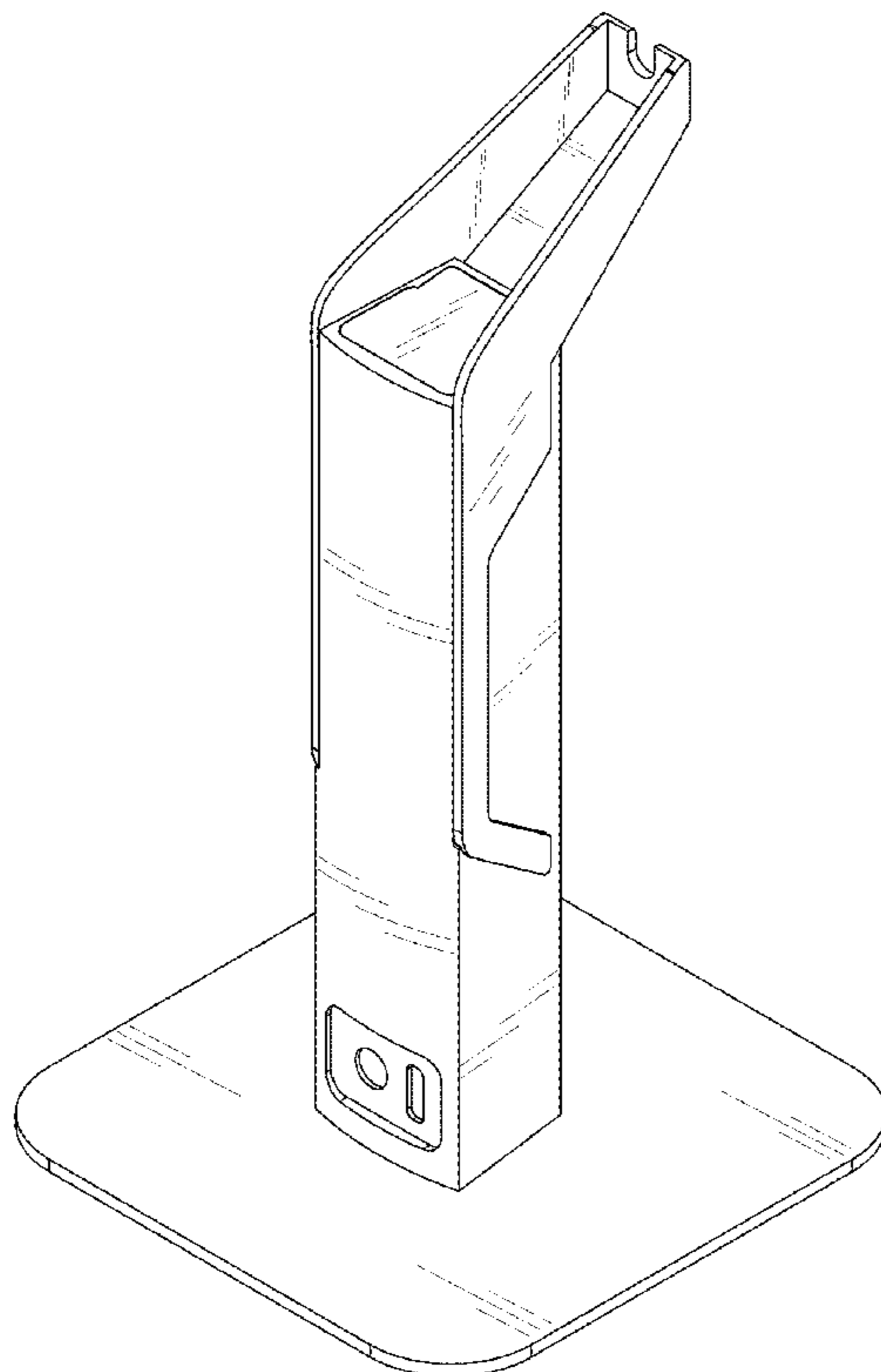
(57) **CLAIM**

The ornamental design for a multi-port charger, as shown and described.

DESCRIPTION

FIG. 1 is a front perspective view of the multi-port charger showing my new design;
FIG. 2 is a rear perspective view thereof;
FIG. 3 is a right side elevational view thereof;
FIG. 4 is a left side elevational view thereof;
FIG. 5 is a front elevational view thereof;
FIG. 6 is a rear elevational view thereof;
FIG. 7 is a top plan view thereof; and,
FIG. 8 is a bottom plan view thereof.
The broken lines in FIG. 8 depict portions of the multi-port charger which form no part of the claimed design.

1 Claim, 8 Drawing Sheets



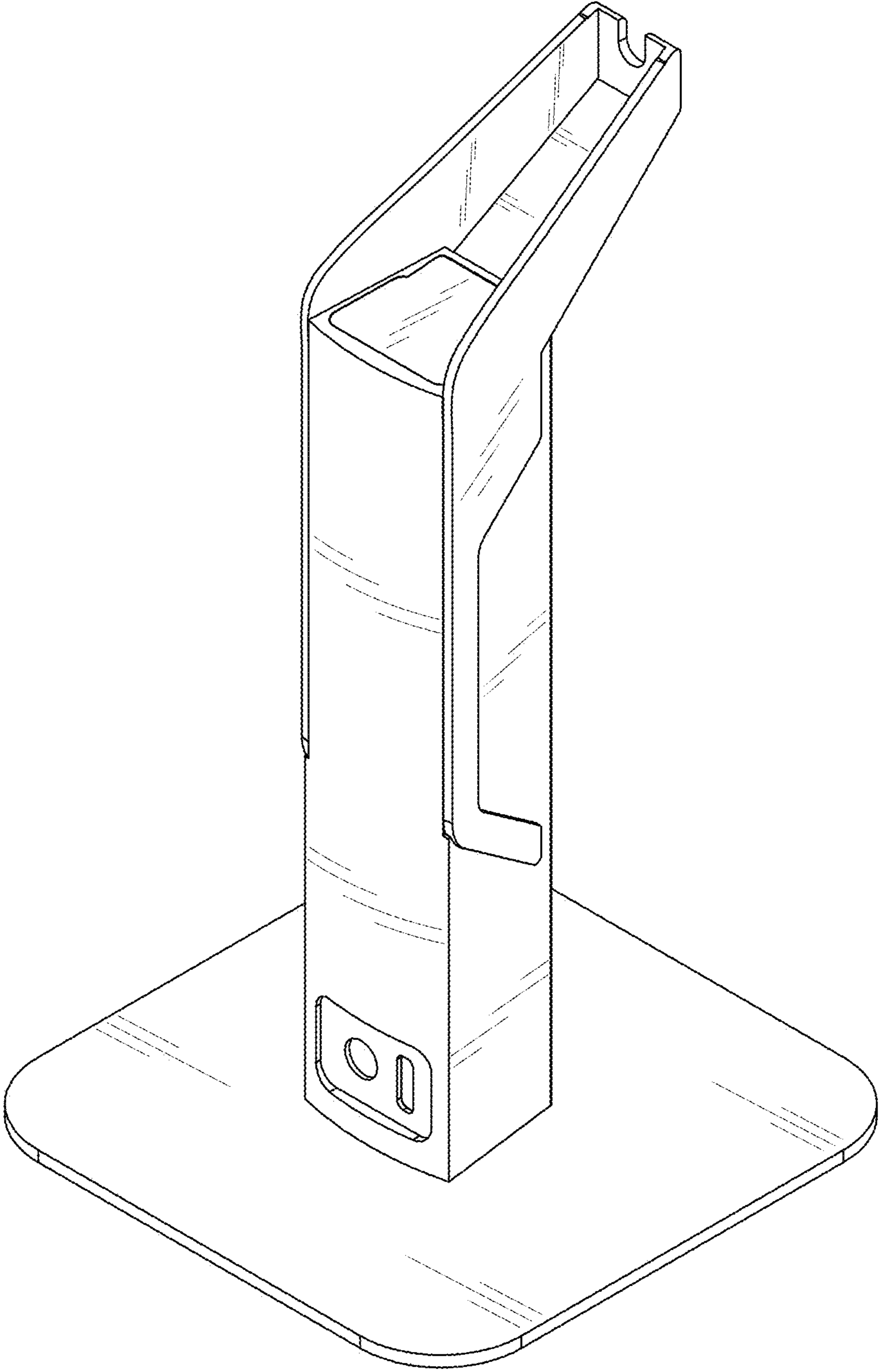


FIG. 1

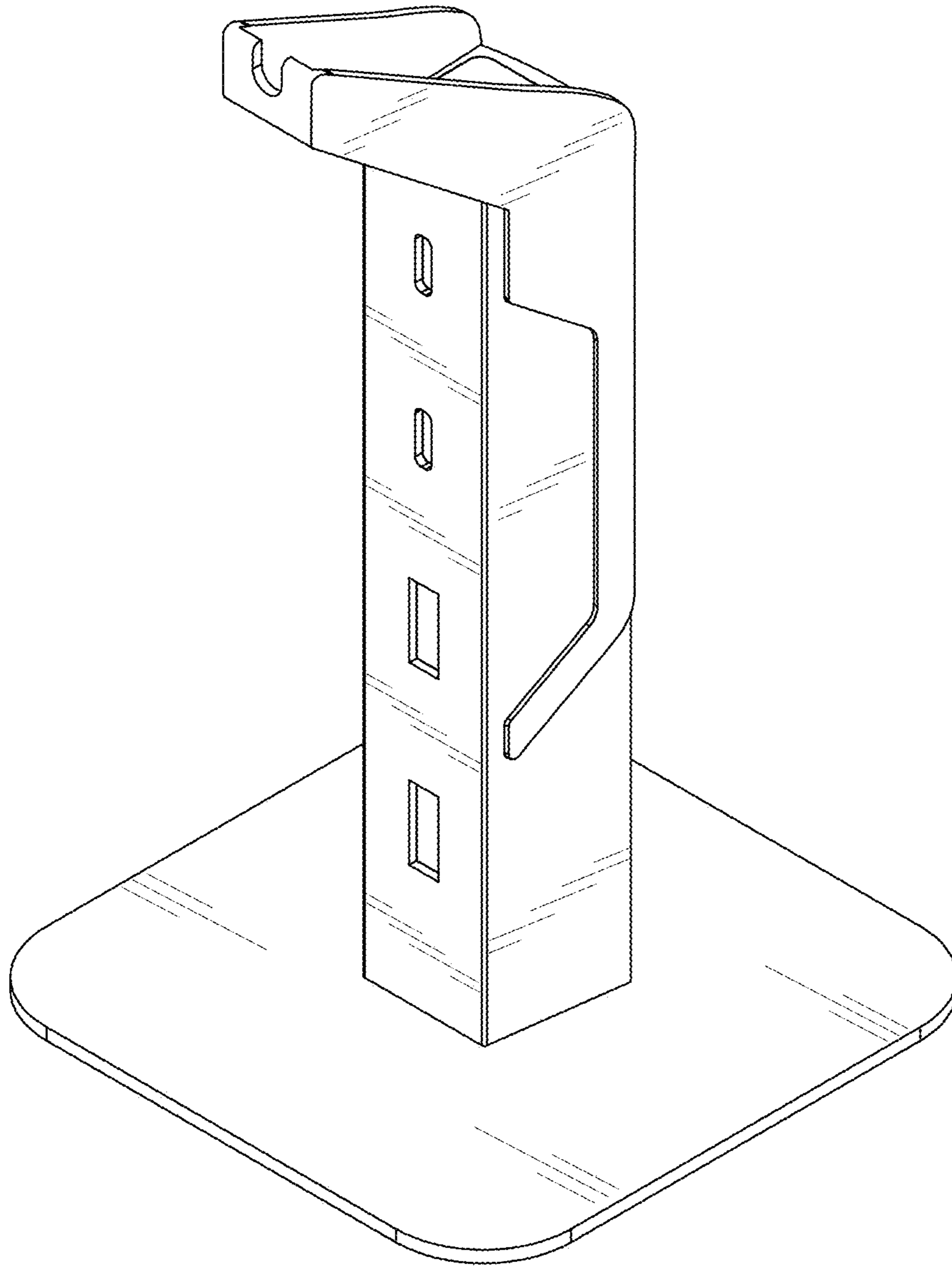


FIG.2

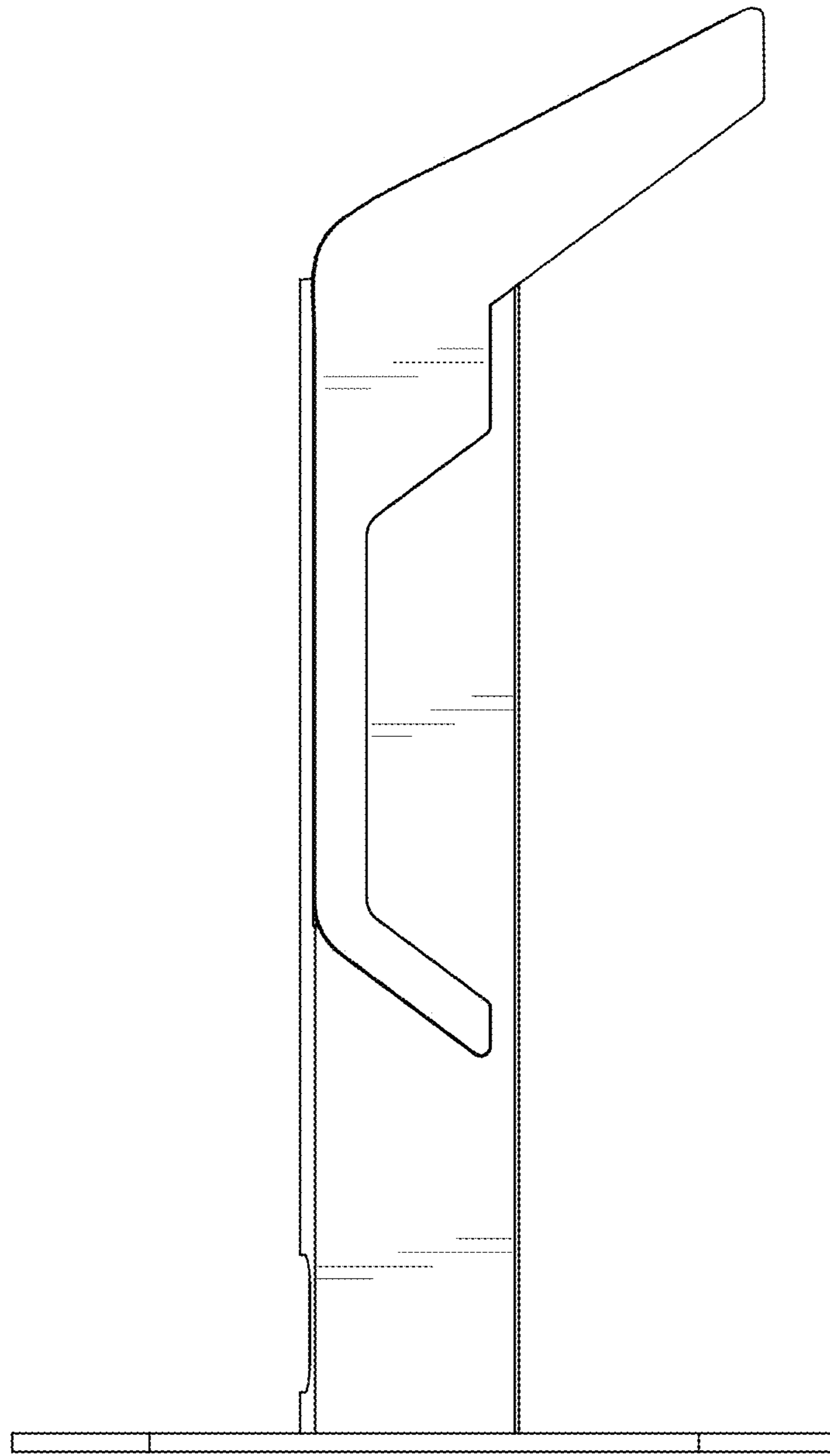


FIG.3

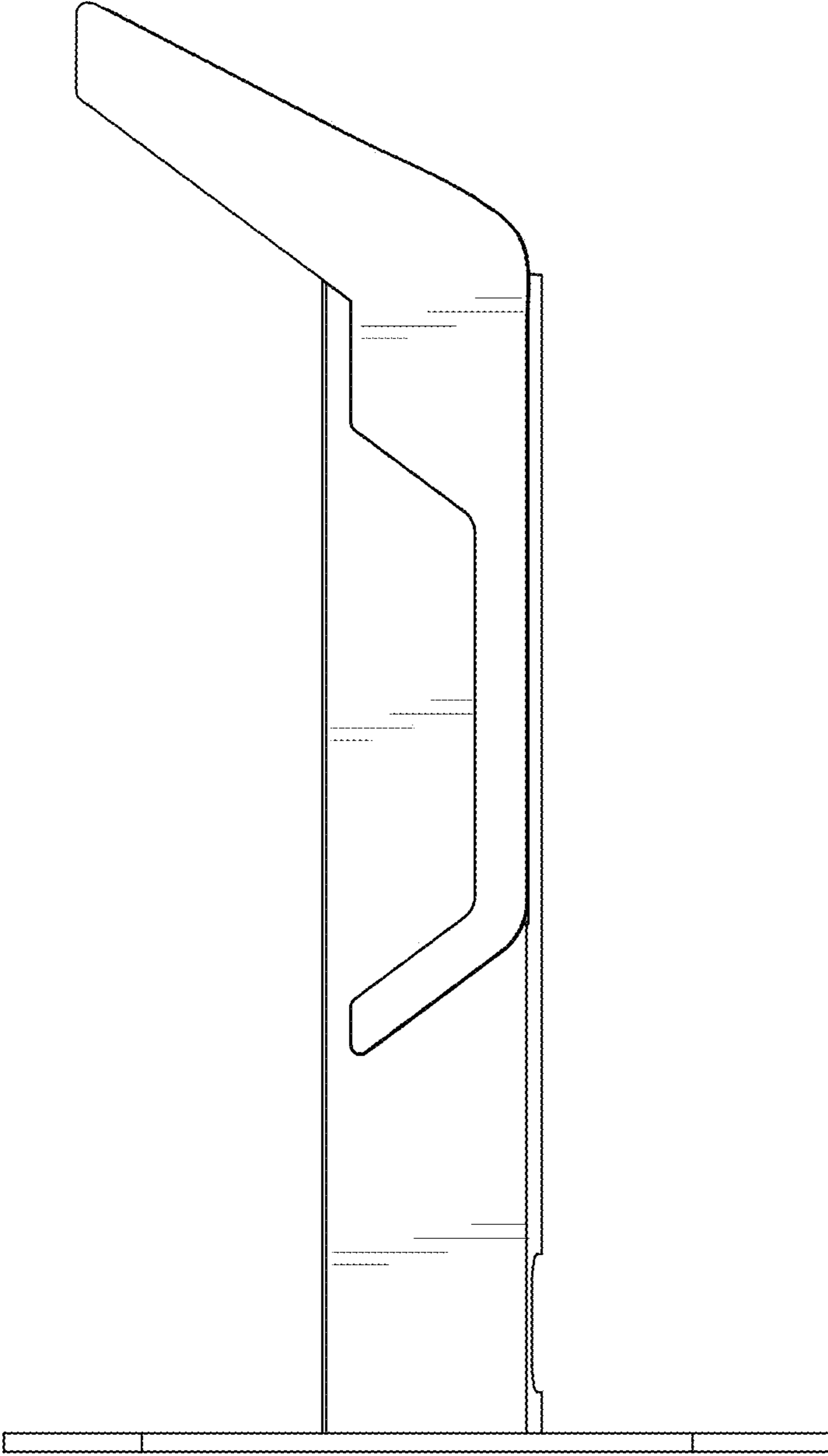


FIG.4

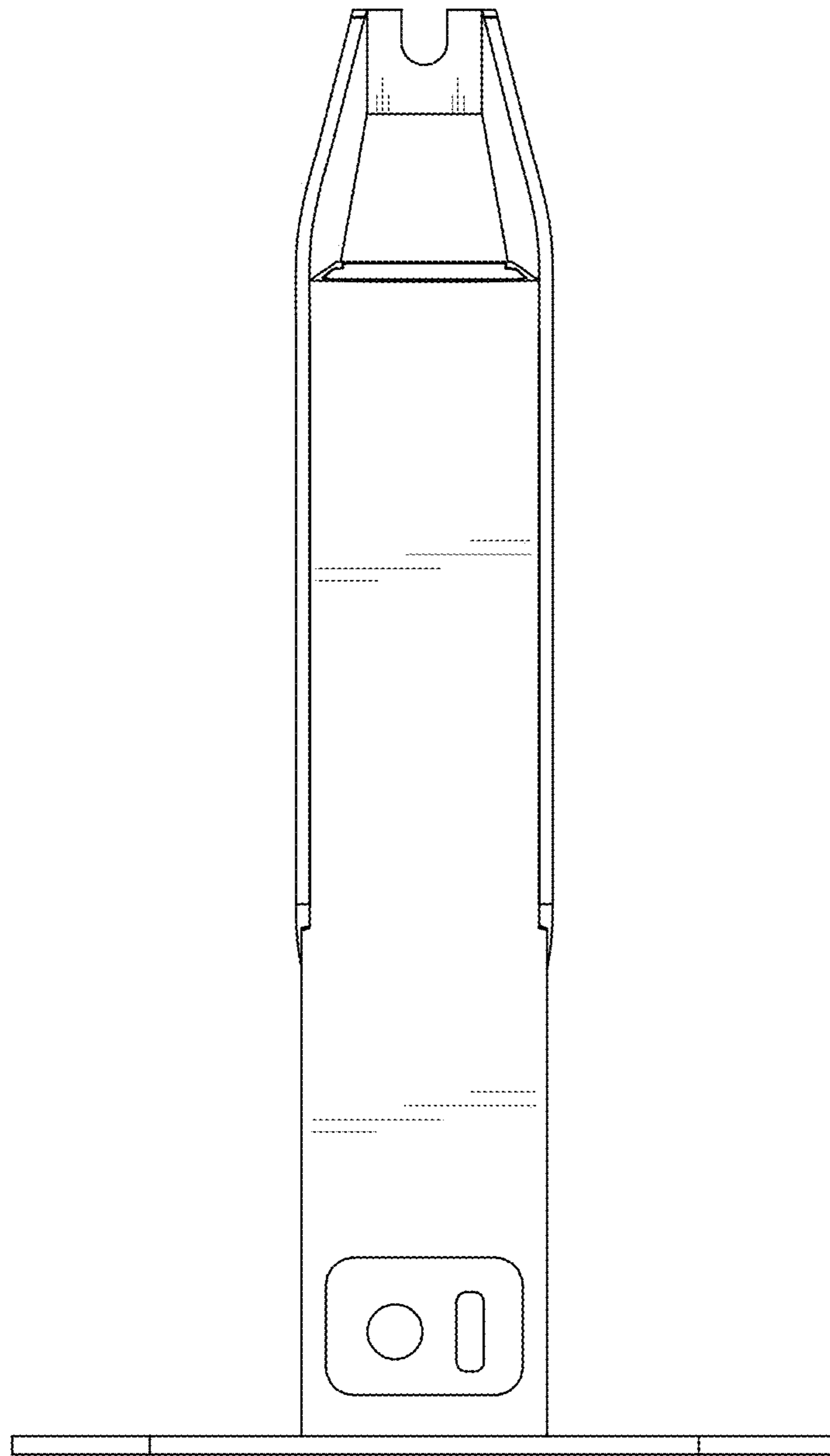


FIG.5

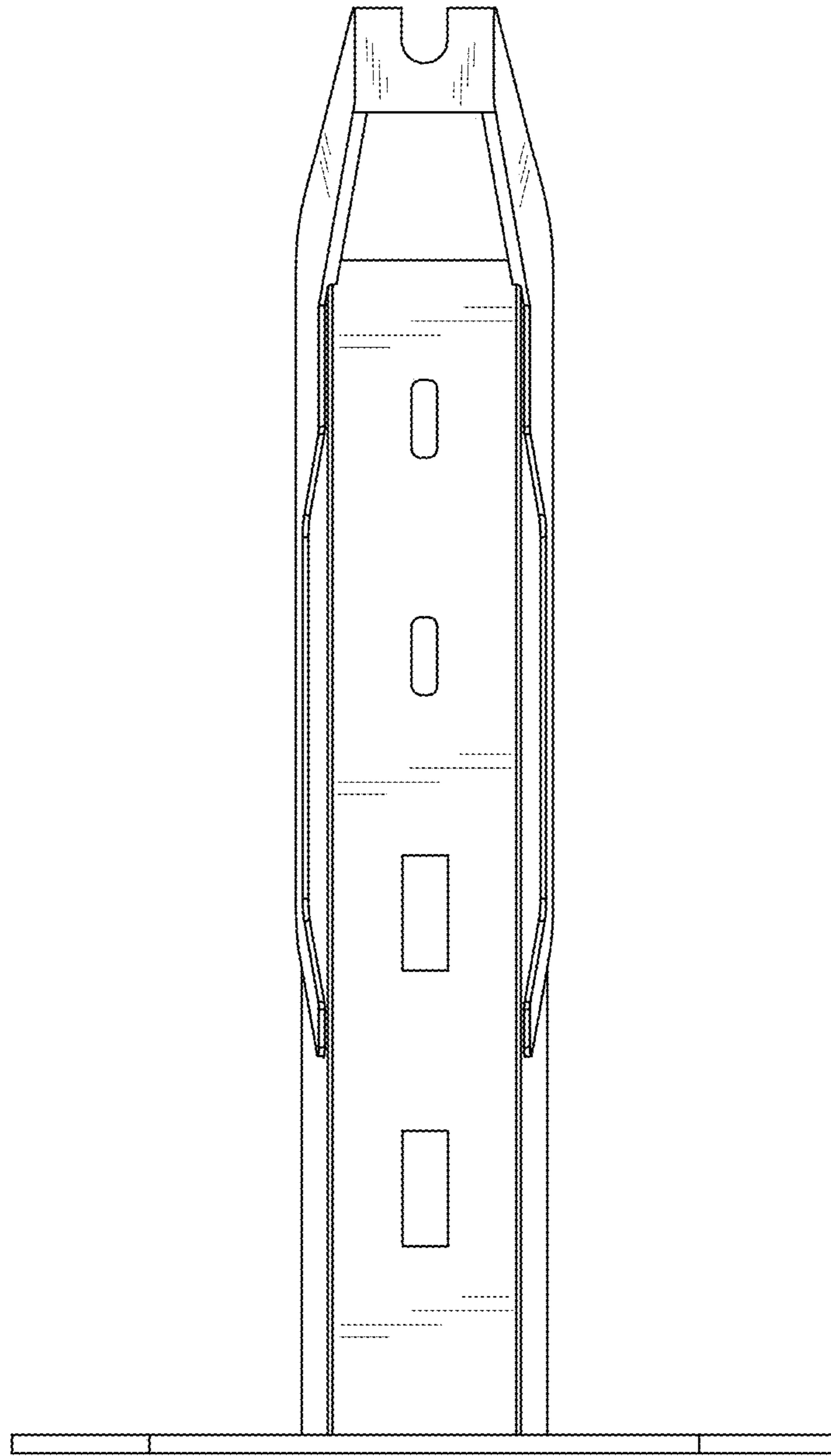


FIG.6

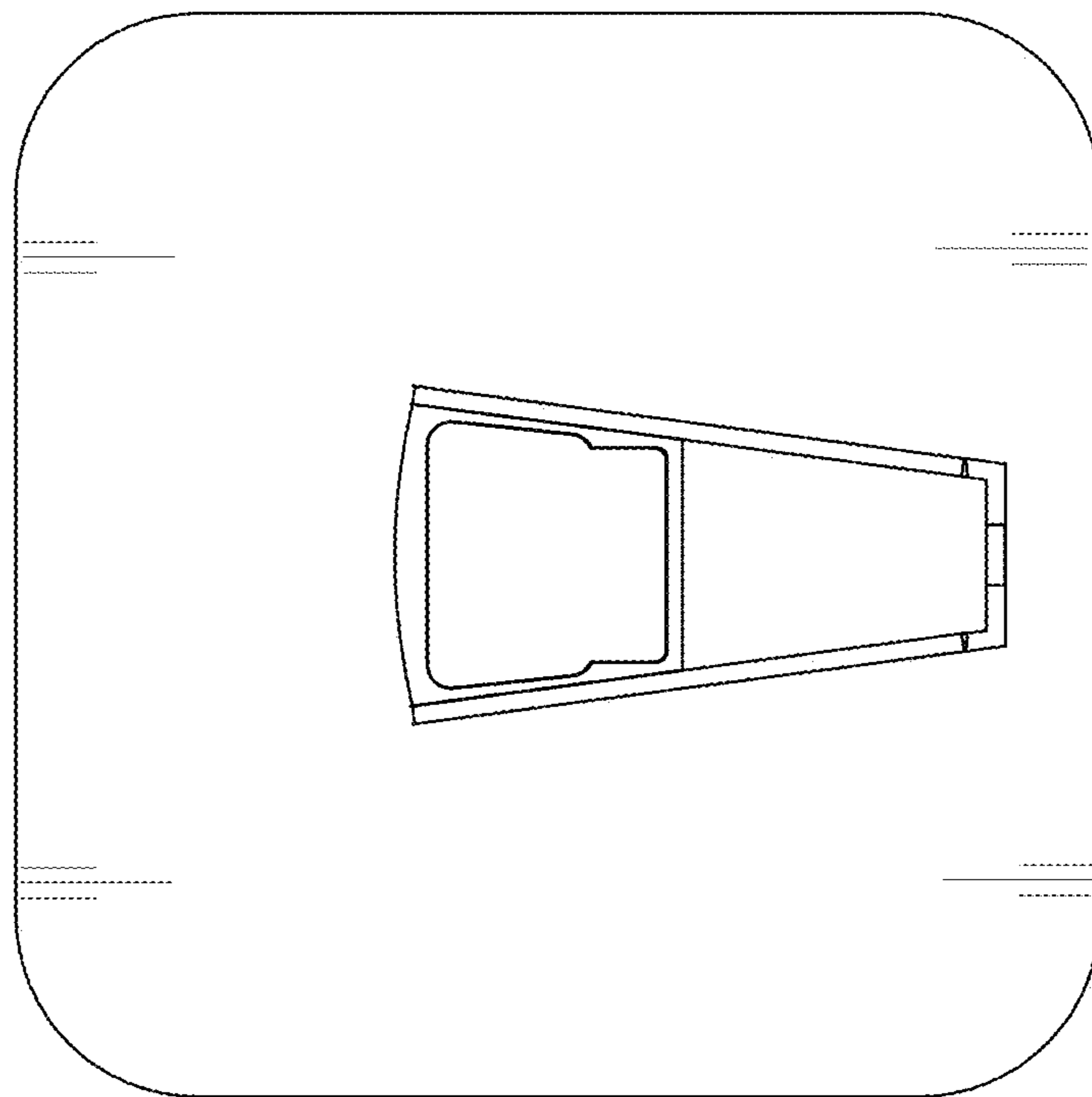


FIG. 7

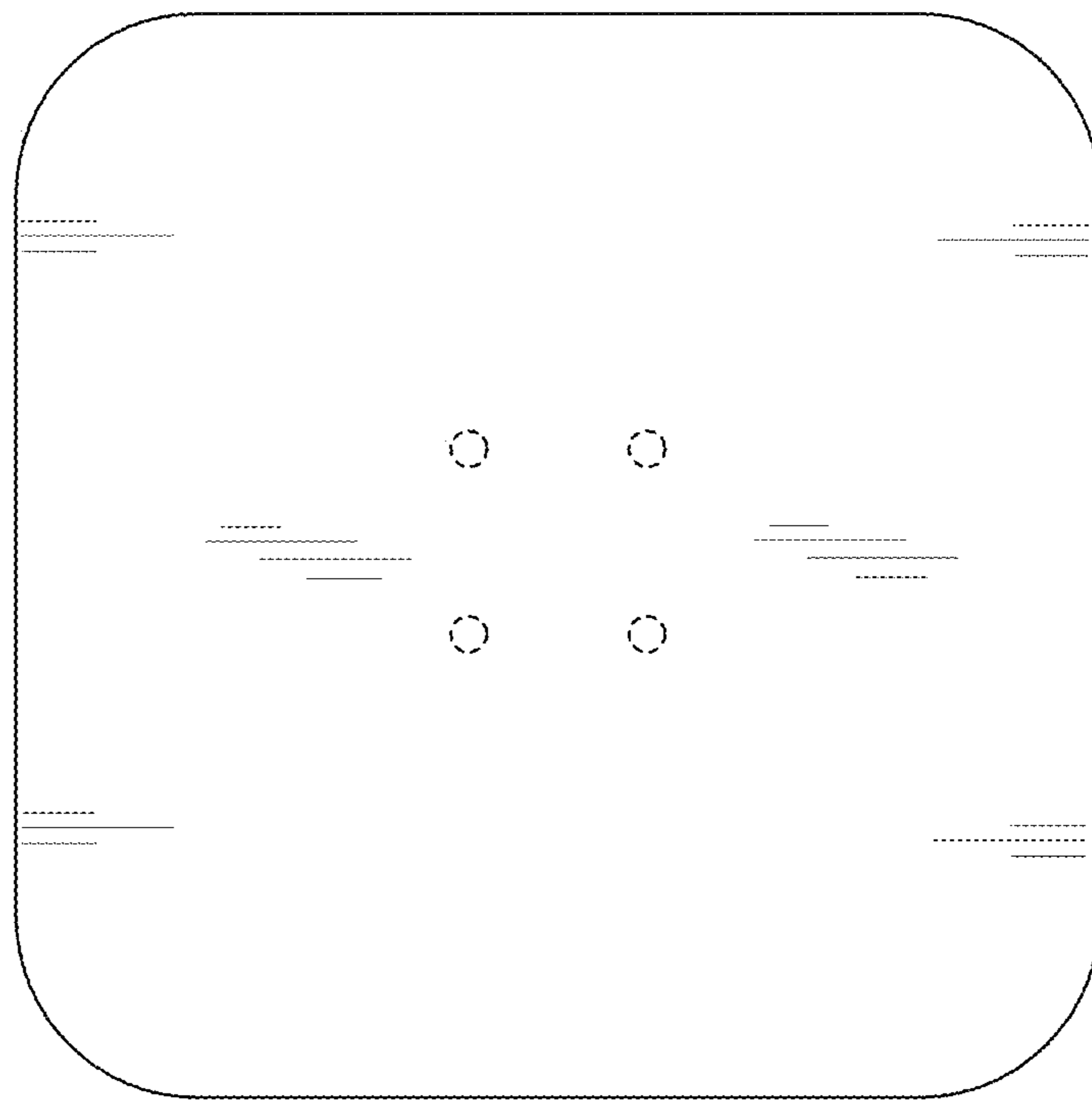


FIG. 8