



US00D884622S

(12) **United States Design Patent**
Huang

(10) **Patent No.:** **US D884,622 S**

(45) **Date of Patent:** **** May 19, 2020**

(54) **CHARGING STAND FOR SMART WATCH**

(71) Applicant: **Xiaozhuan Huang**, Chongzuo (CN)

(72) Inventor: **Xiaozhuan Huang**, Chongzuo (CN)

(**) Term: **15 Years**

(21) Appl. No.: **29/684,431**

(22) Filed: **Mar. 21, 2019**

(51) **LOC (12) Cl.** **13-02**

(52) **U.S. Cl.**
USPC **D13/108**

(58) **Field of Classification Search**
USPC D13/107-110, 118-119, 184; D14/251,
D14/253, 432, 434
CPC Y02E 60/12; Y02T 90/14; Y02T 90/122;
Y02T 90/128; Y02T 90/163; H02J 7/025;
H02J 7/0042; H02J 7/0044; H02J 7/0045;
H02J 7/0003; H01F 38/14; H01R
13/6675; H01M 2/1022; H01M 2/1055;
H01M 10/44; H01M 10/46; H01M
10/425; B60L 11/182
See application file for complete search history.

(56) **References Cited**

U.S. PATENT DOCUMENTS

D610,084 S *	2/2010	Christopher	D13/107
D724,025 S *	3/2015	Peek	D13/108
D762,650 S *	8/2016	Dang	D14/434
D776,053 S *	1/2017	Barnard	D13/108
D813,805 S *	3/2018	Zhong	D13/108

9,996,055 B2 *	6/2018	Wierenga	G04G 19/00
D826,851 S *	8/2018	Wang	D13/108
D845,308 S *	4/2019	Ma	D14/447
D851,431 S *	6/2019	Jia	D6/682.1
D852,134 S *	6/2019	Mei	D13/108
D857,626 S *	8/2019	Zhang	D13/108
D858,437 S *	9/2019	Lu	D13/108
D875,043 S *	2/2020	Yi	D13/108

* cited by examiner

Primary Examiner — Nathaniel D. Buckner

(74) *Attorney, Agent, or Firm* — Law Offices of Steven W. Weinrieb

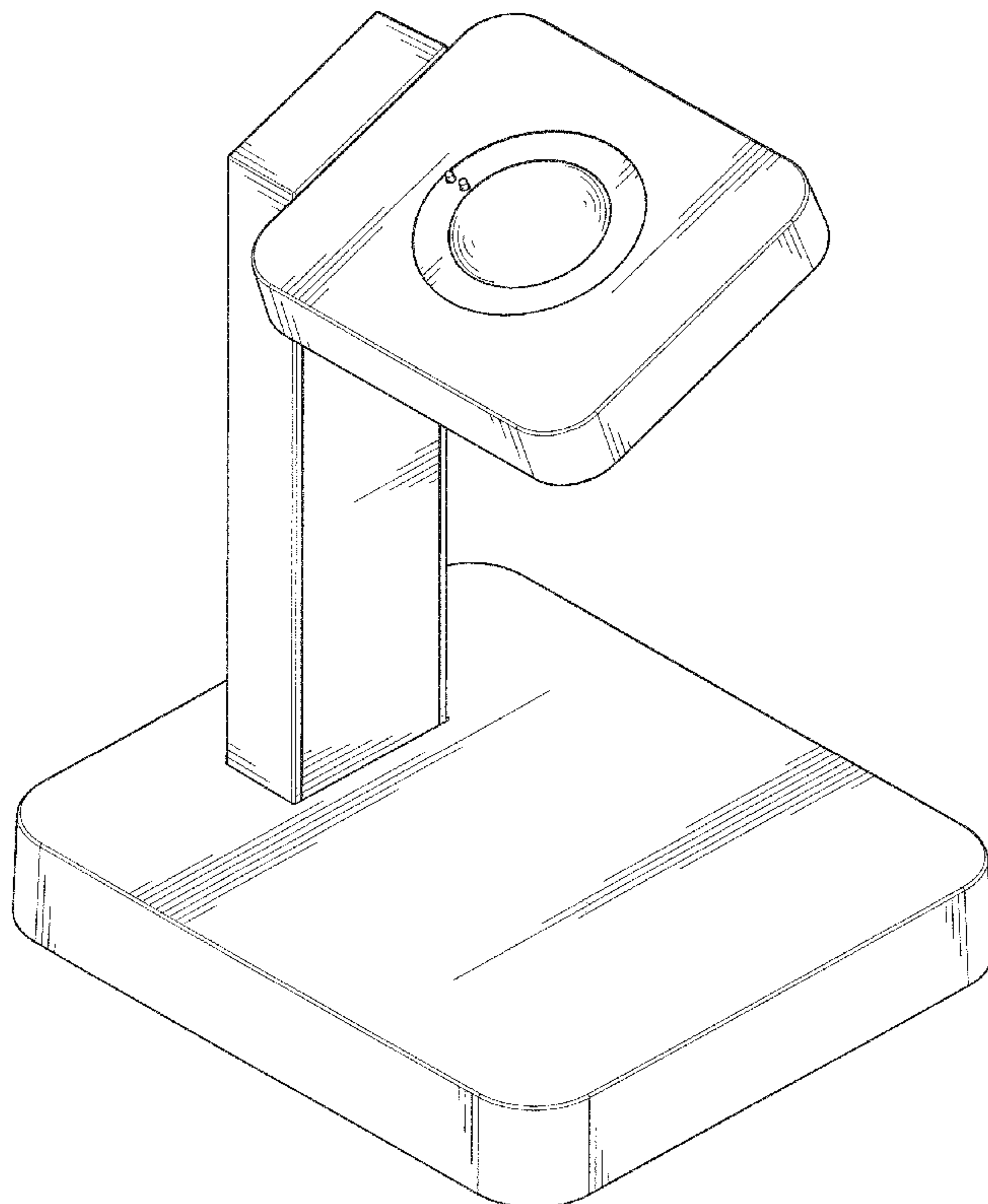
(57) **CLAIM**

The ornamental design for a charging stand for smart watch, as shown and described.

DESCRIPTION

FIG. 1 is a front, right side, top perspective view of the charging stand for smart watch showing my new design; FIG. 2 is a rear, left side, bottom perspective view thereof; FIG. 3 is a front elevational view thereof; FIG. 4 is a rear elevational view thereof; FIG. 5 is a left side elevational view thereof; FIG. 6 is a right side elevational view thereof; FIG. 7 is a top plan view thereof; and, FIG. 8 is a bottom plan view thereof. The broken lines in the figures depict portions of the charging stand for smart watch which form no part of the claimed design.

1 Claim, 8 Drawing Sheets



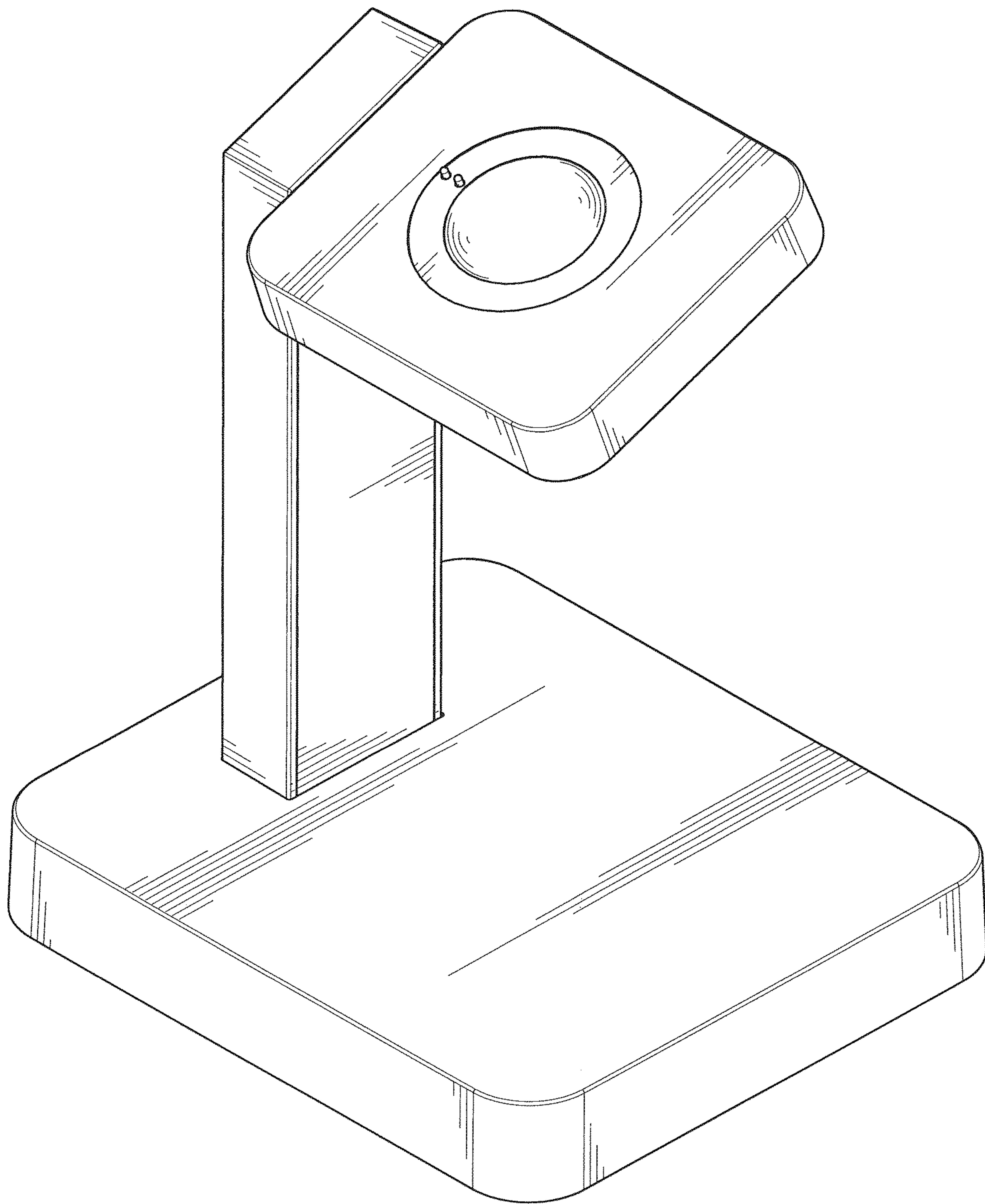


FIG. 1

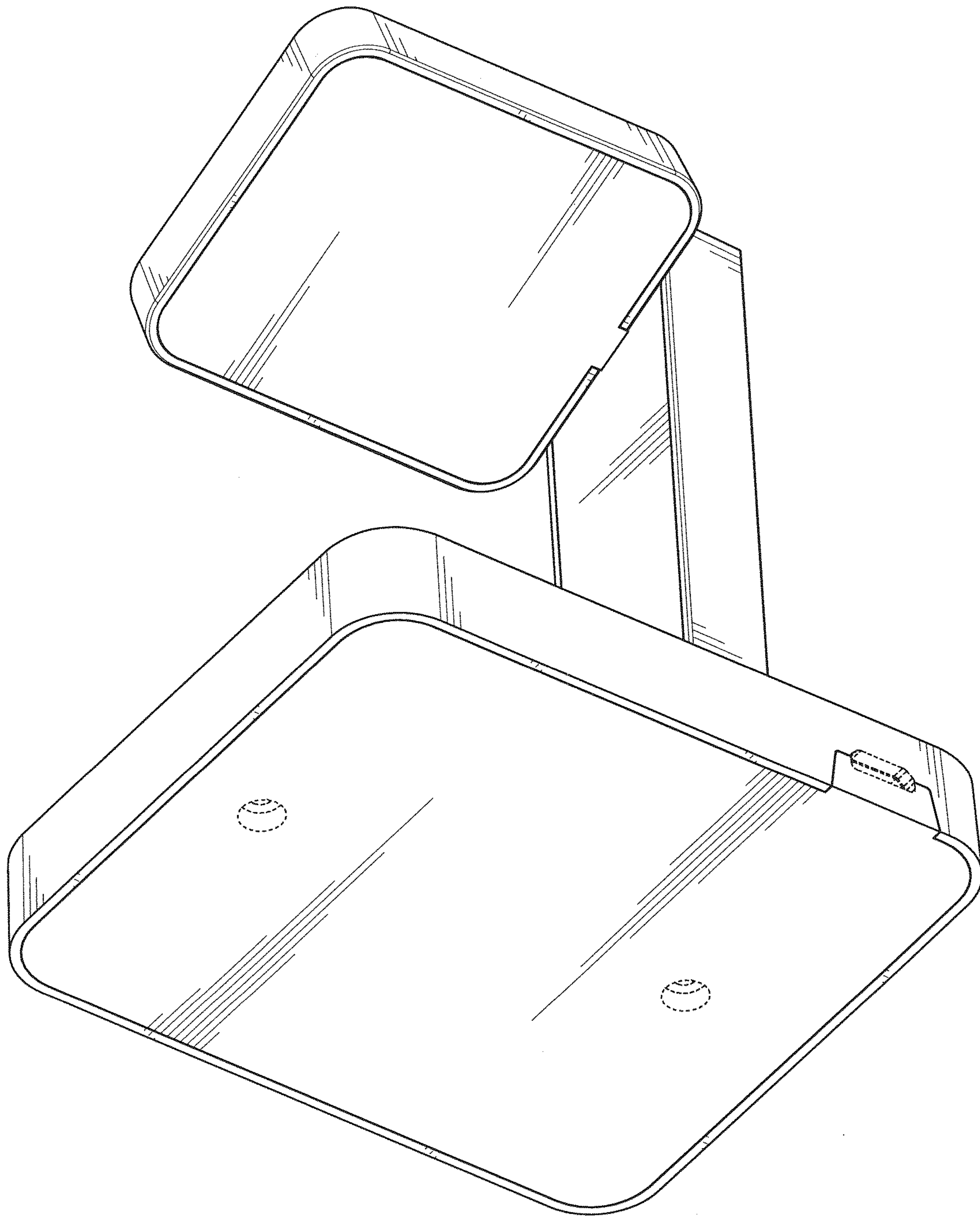


FIG. 2

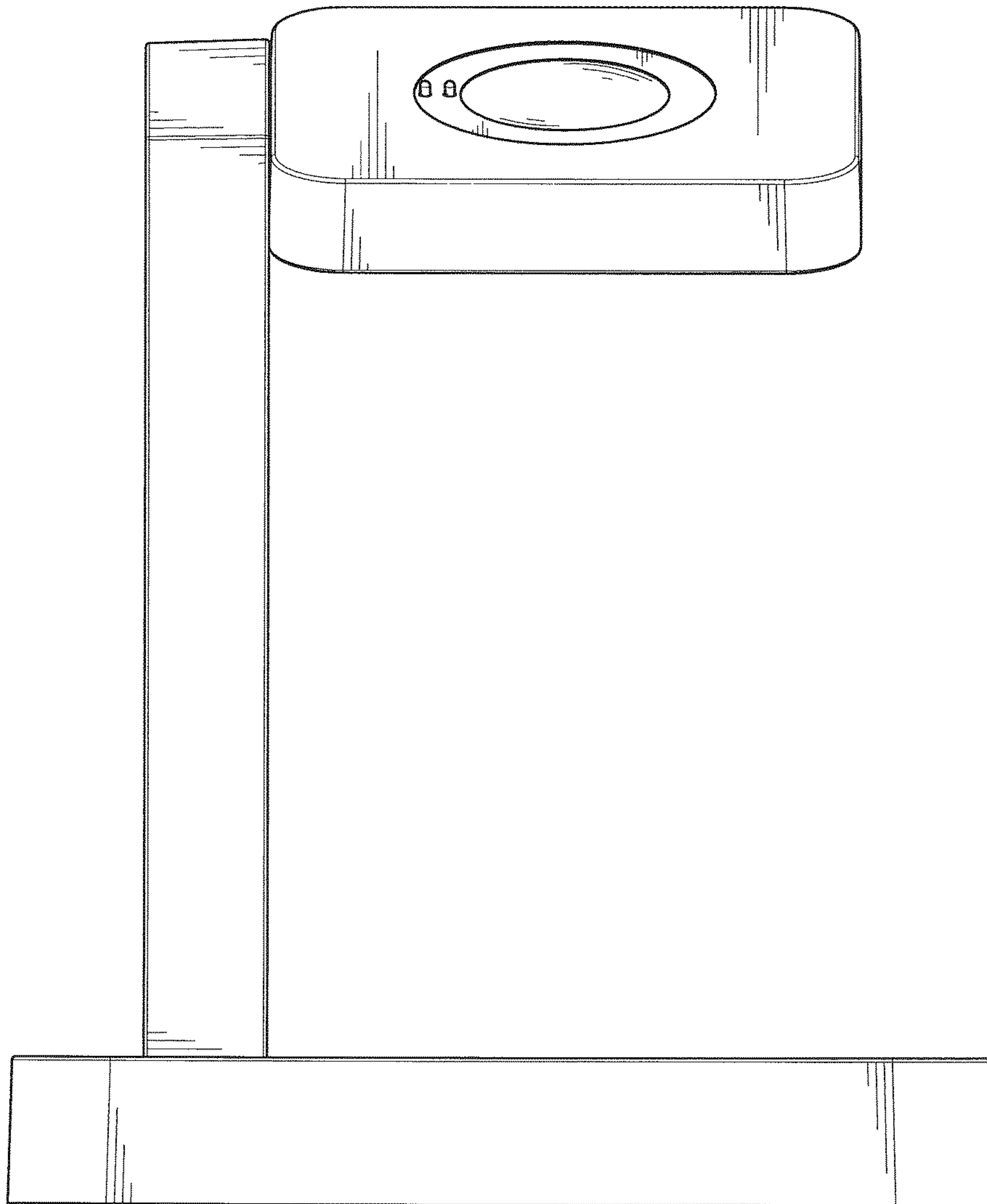


FIG. 3

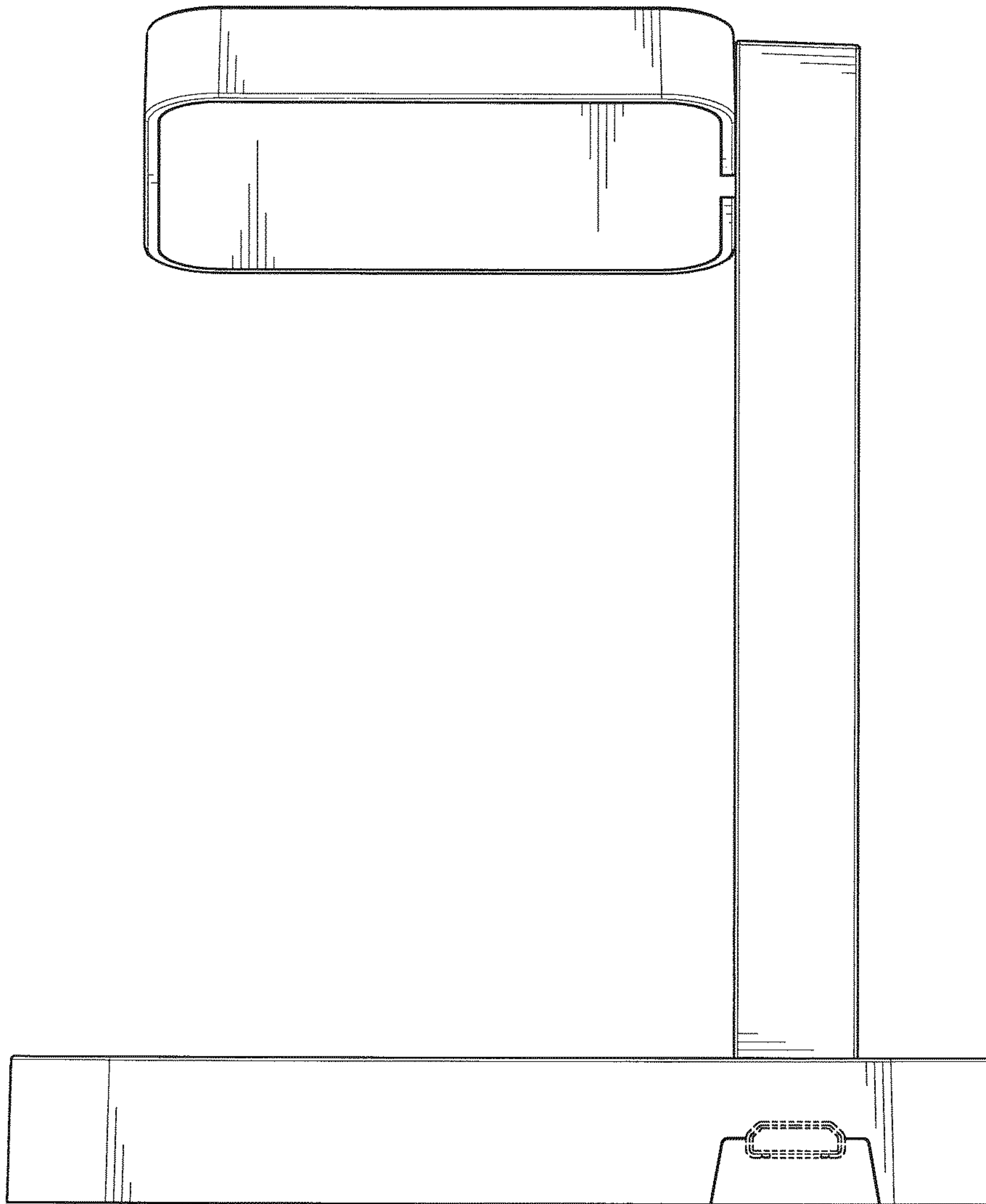


FIG. 4

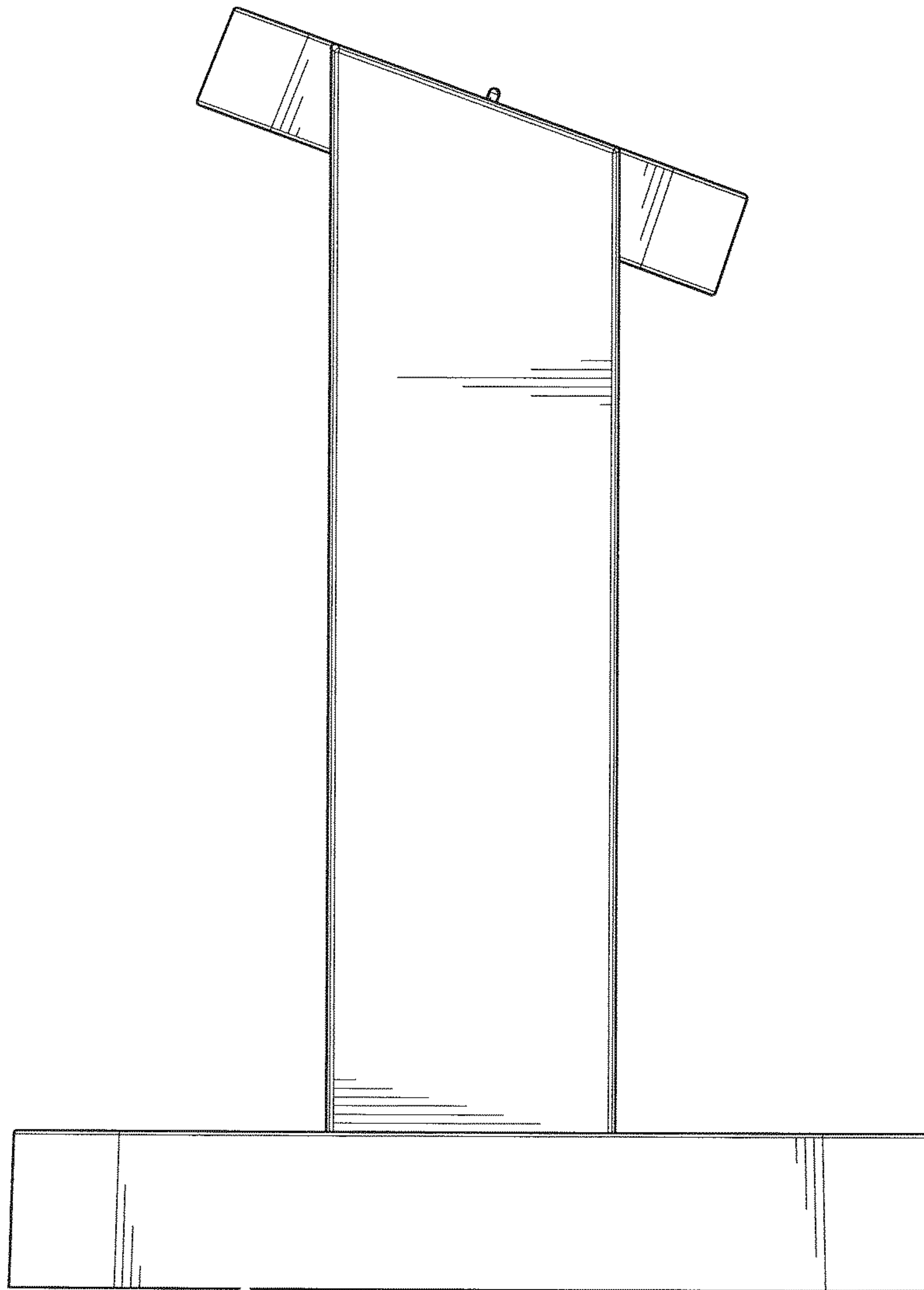


FIG. 5

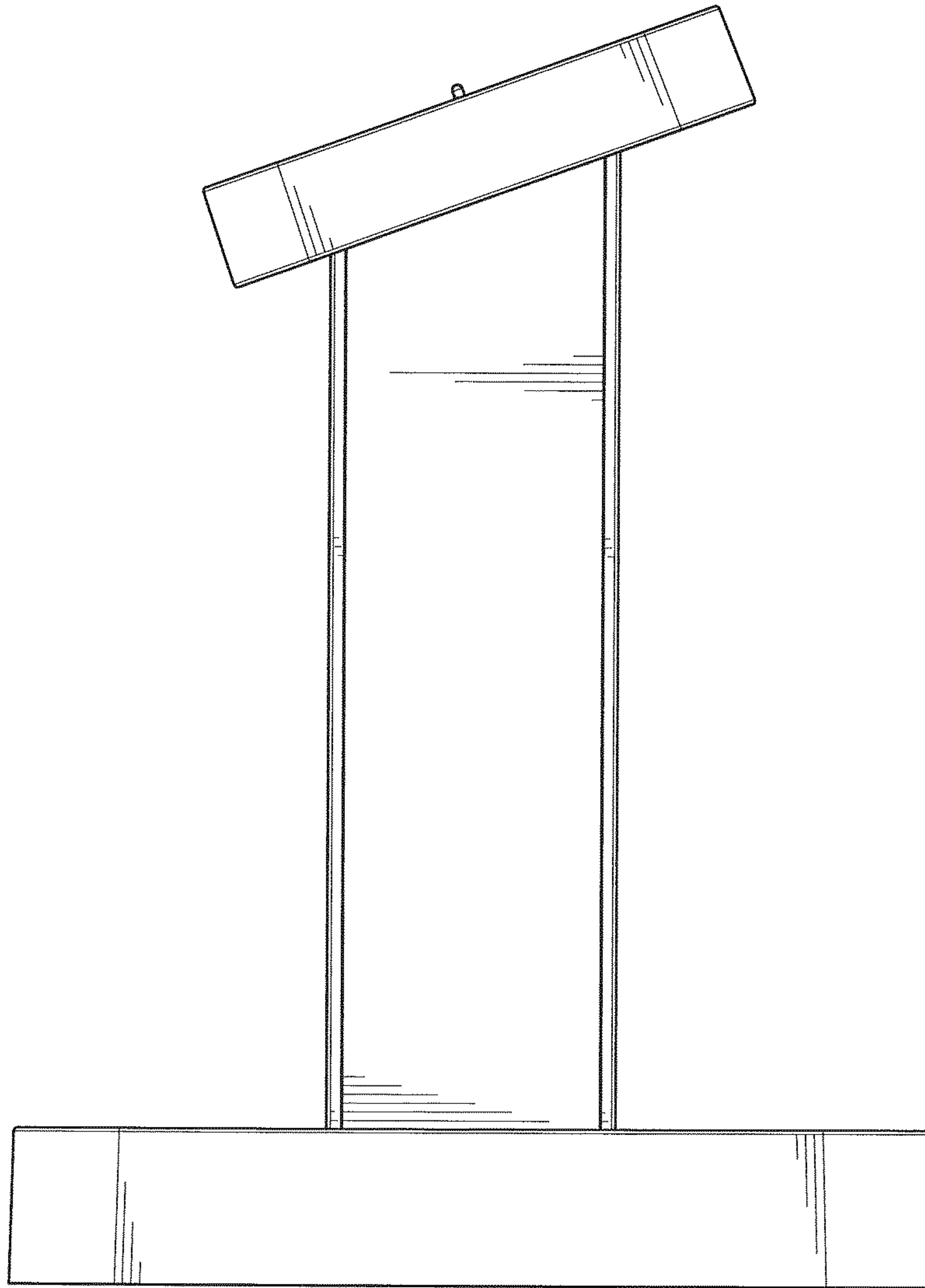


FIG. 6

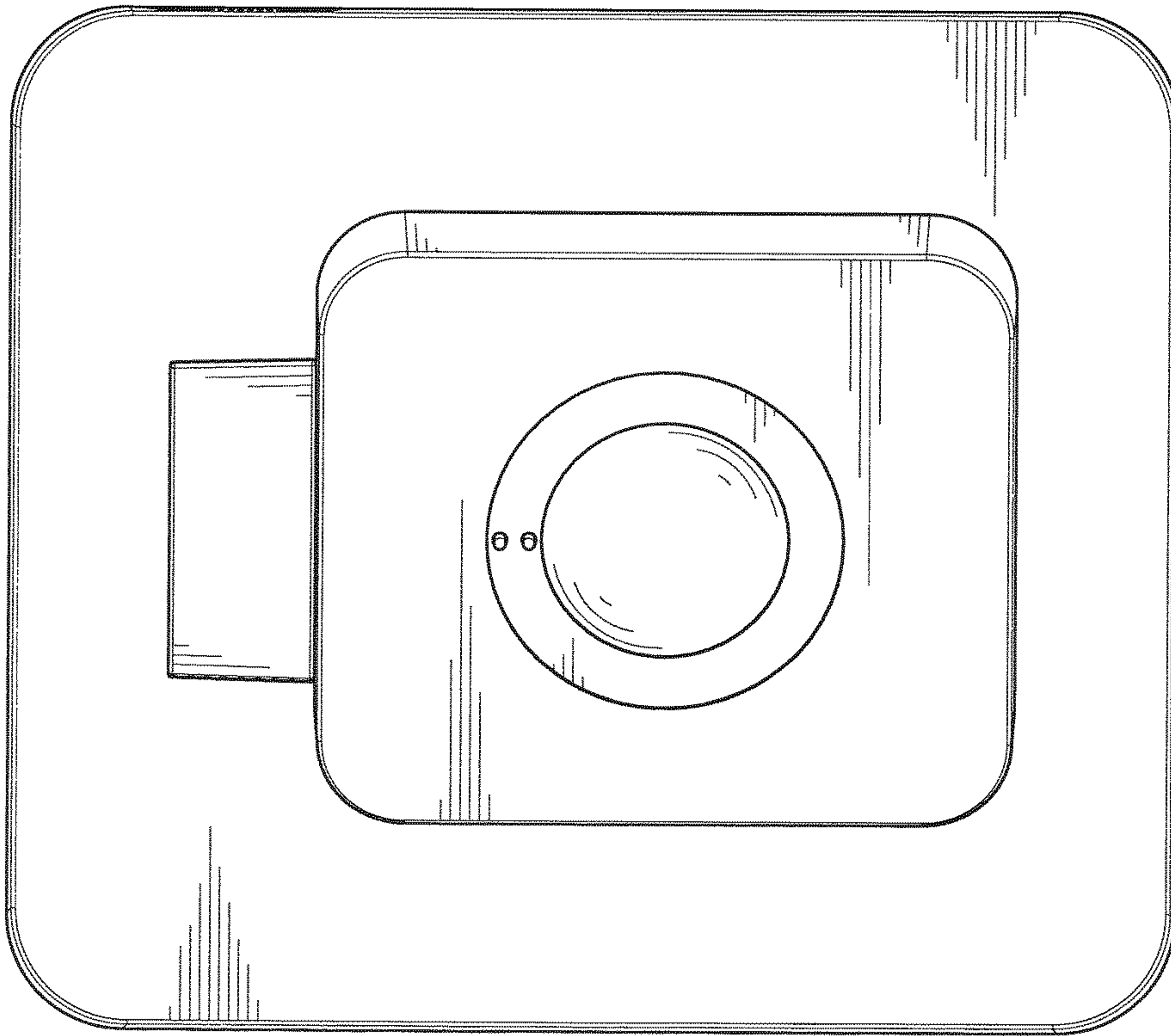


FIG. 7

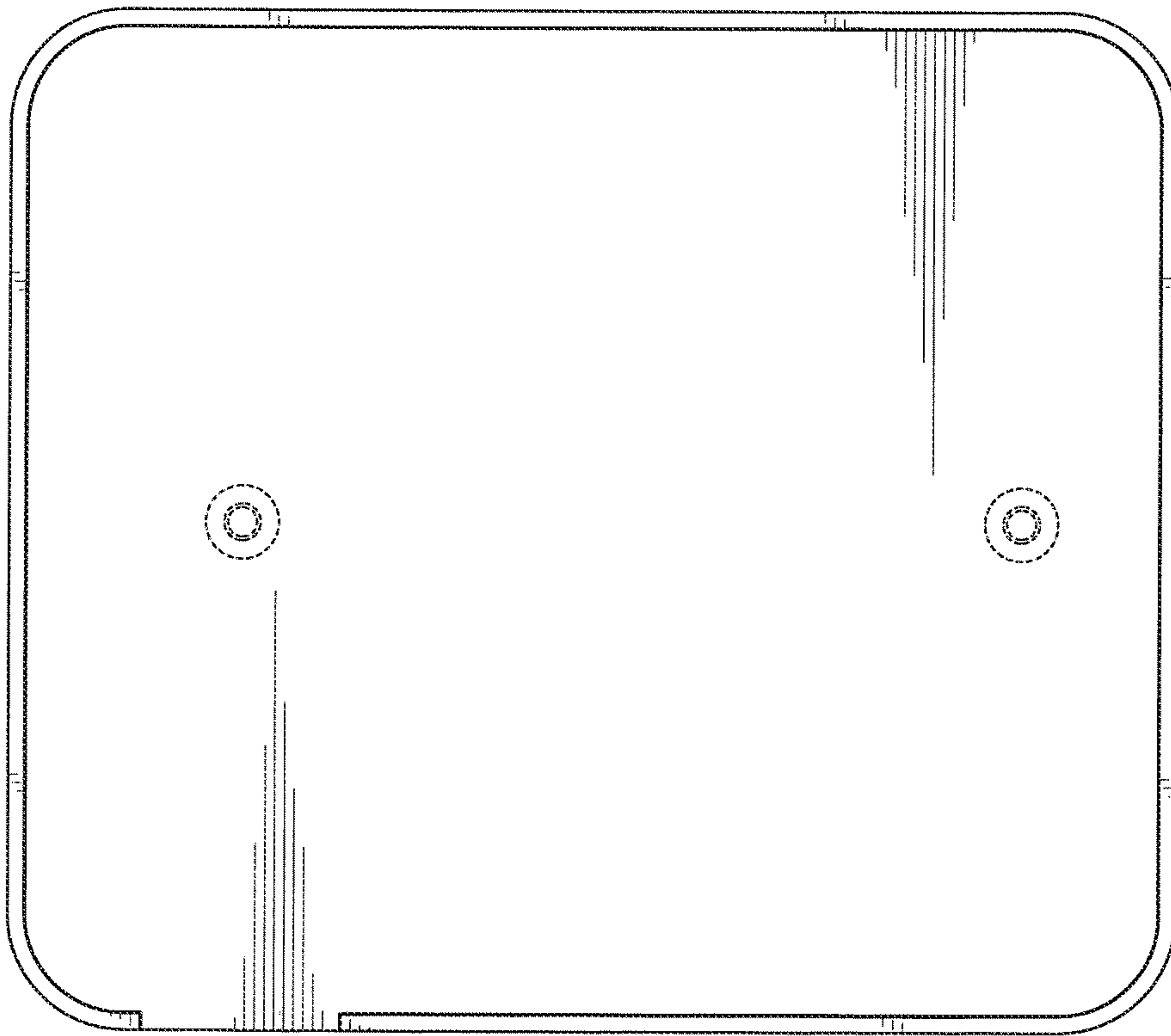


FIG. 8