



US00D884621S

(12) **United States Design Patent**  
**Feng**

(10) **Patent No.:** **US D884,621 S**

(45) **Date of Patent:** **\*\* May 19, 2020**

(54) **WIRELESS CHARGER**

(71) Applicant: **Shenzhen Smacat Electronic Technology Co., Ltd, Shenzhen (CN)**

(72) Inventor: **Daobin Feng, Shenzhen (CN)**

(73) Assignee: **SHENZHEN SMACAT ELECTRONIC TECHNOLOGY CO., LTD, Shenzhen (CN)**

(\*\*) Term: **15 Years**

(21) Appl. No.: **29/677,076**

(22) Filed: **Jan. 17, 2019**

(51) **LOC (12) Cl.** ..... **13-02**

(52) **U.S. Cl.**  
USPC ..... **D13/108**

(58) **Field of Classification Search**  
USPC ..... D13/107-110, 118-119, 184; D14/251, D14/253, 432, 434  
CPC ..... Y02E 60/12; Y02T 90/14; Y02T 90/122; Y02T 90/128; Y02T 90/163; H02J 7/025; H02J 7/0042; H02J 7/0044; H02J 7/0045; H02J 7/0003; H01F 38/14; H01R 13/6675; H01M 2/1022; H01M 2/1055; H01M 10/44; H01M 10/46; H01M 10/425; B60L 11/182  
See application file for complete search history.

(56) **References Cited**

**U.S. PATENT DOCUMENTS**

D646,268 S \* 10/2011 DeLorenzo ..... D14/253  
D688,235 S \* 8/2013 Song ..... D14/253

D715,219 S \* 10/2014 Cypress ..... D13/103  
D716,304 S \* 10/2014 Orthey ..... D14/385  
D722,035 S \* 2/2015 Nam ..... D14/138 AD  
D788,228 S \* 5/2017 Ryckman ..... D14/203.3  
D812,564 S \* 3/2018 Feng ..... D13/108  
D817,269 S \* 5/2018 Sukphist ..... D13/108  
D859,308 S \* 9/2019 Connell ..... D13/108  
D868,691 S \* 12/2019 Sun ..... D13/108  
D870,041 S \* 12/2019 Choi ..... D13/108  
D871,332 S \* 12/2019 Liao ..... D13/108  
2018/0358826 A1 \* 12/2018 Allen ..... H02J 7/0044

\* cited by examiner

*Primary Examiner* — Nathaniel D. Buckner

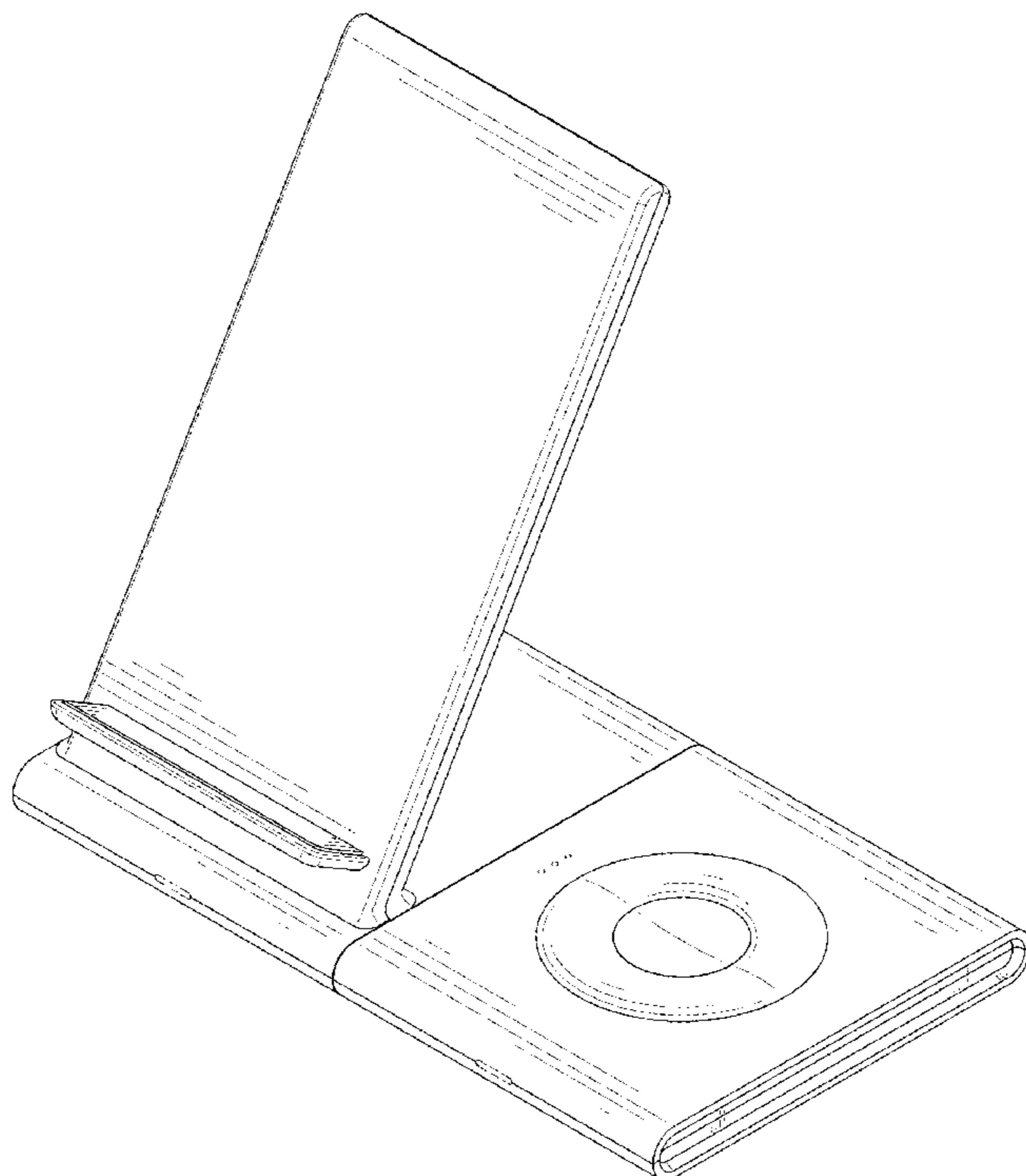
(57) **CLAIM**

The ornamental design for a wireless charger, as shown and described.

**DESCRIPTION**

FIG. 1 is a perspective view of a wireless charger showing my new design;  
FIG. 2 is another perspective view thereof;  
FIG. 3 is a front elevational view thereof;  
FIG. 4 is a rear elevational view thereof;  
FIG. 5 is a left side elevational view thereof;  
FIG. 6 is a right side elevational view thereof;  
FIG. 7 is a top plan view thereof; and,  
FIG. 8 is a bottom plan view thereof.  
The broken lines in the drawings illustrate portions of the wireless charger that form no part of the claimed design.

**1 Claim, 8 Drawing Sheets**



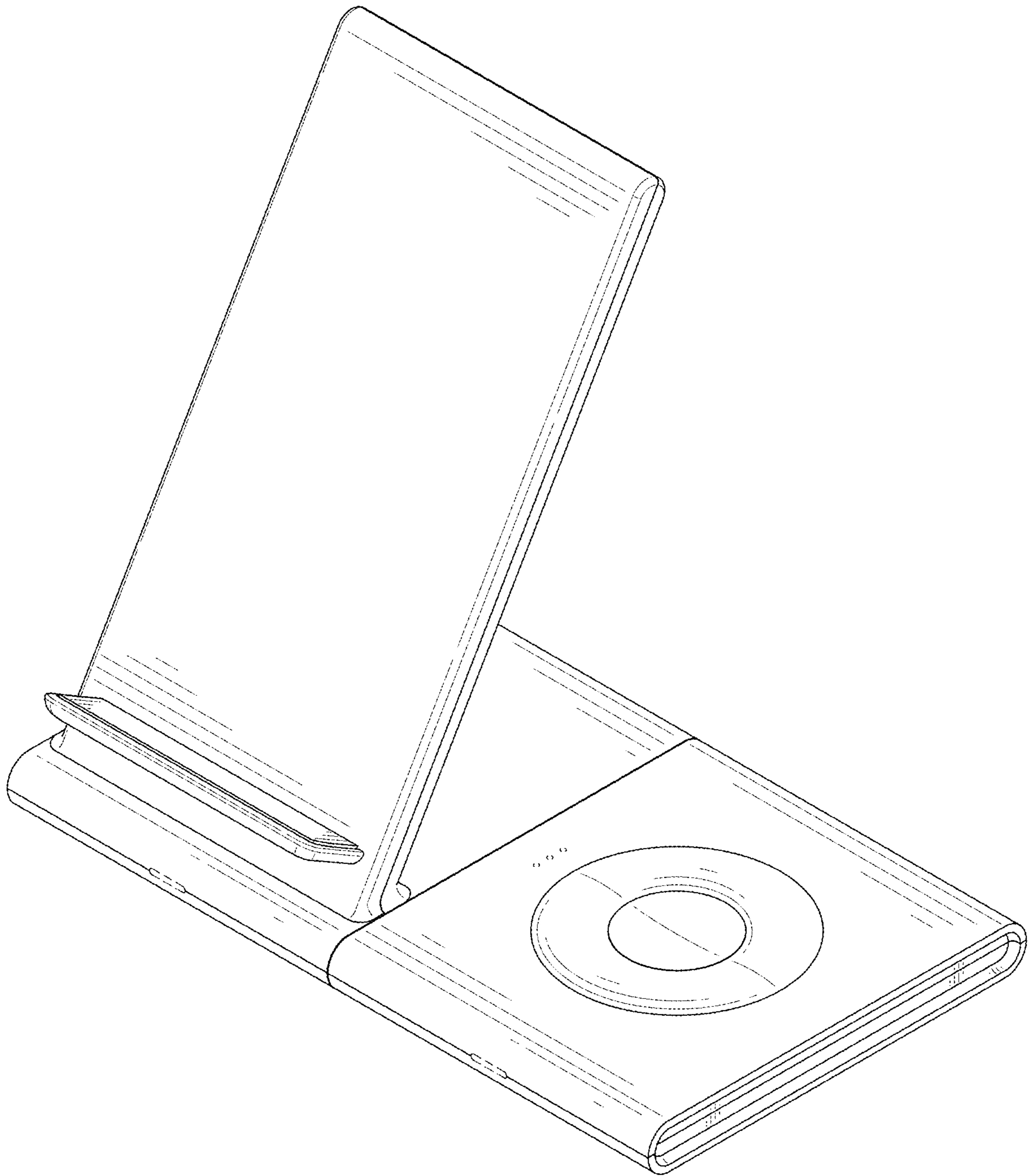


FIG. 1

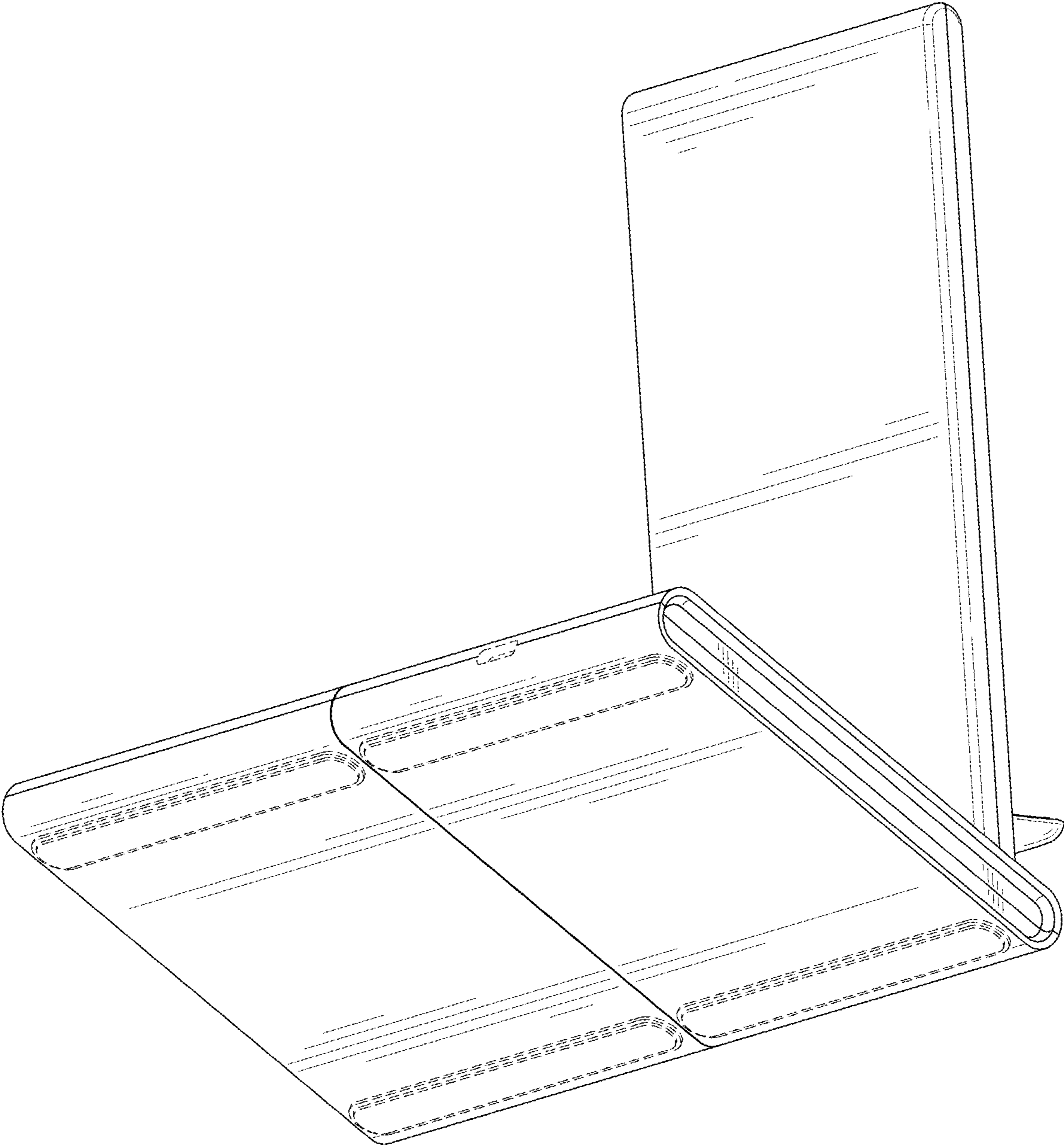


FIG. 2



FIG. 3

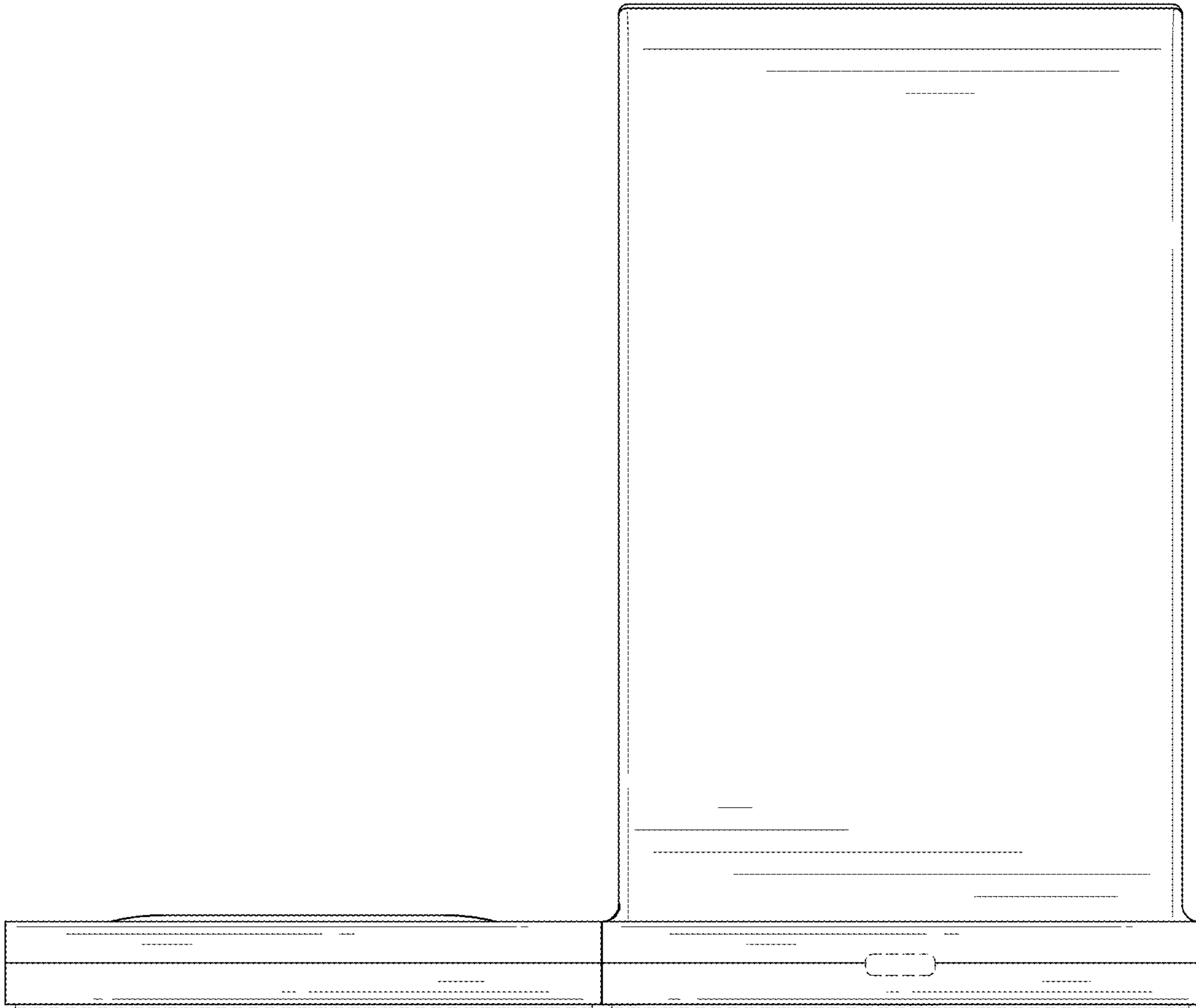


FIG. 4

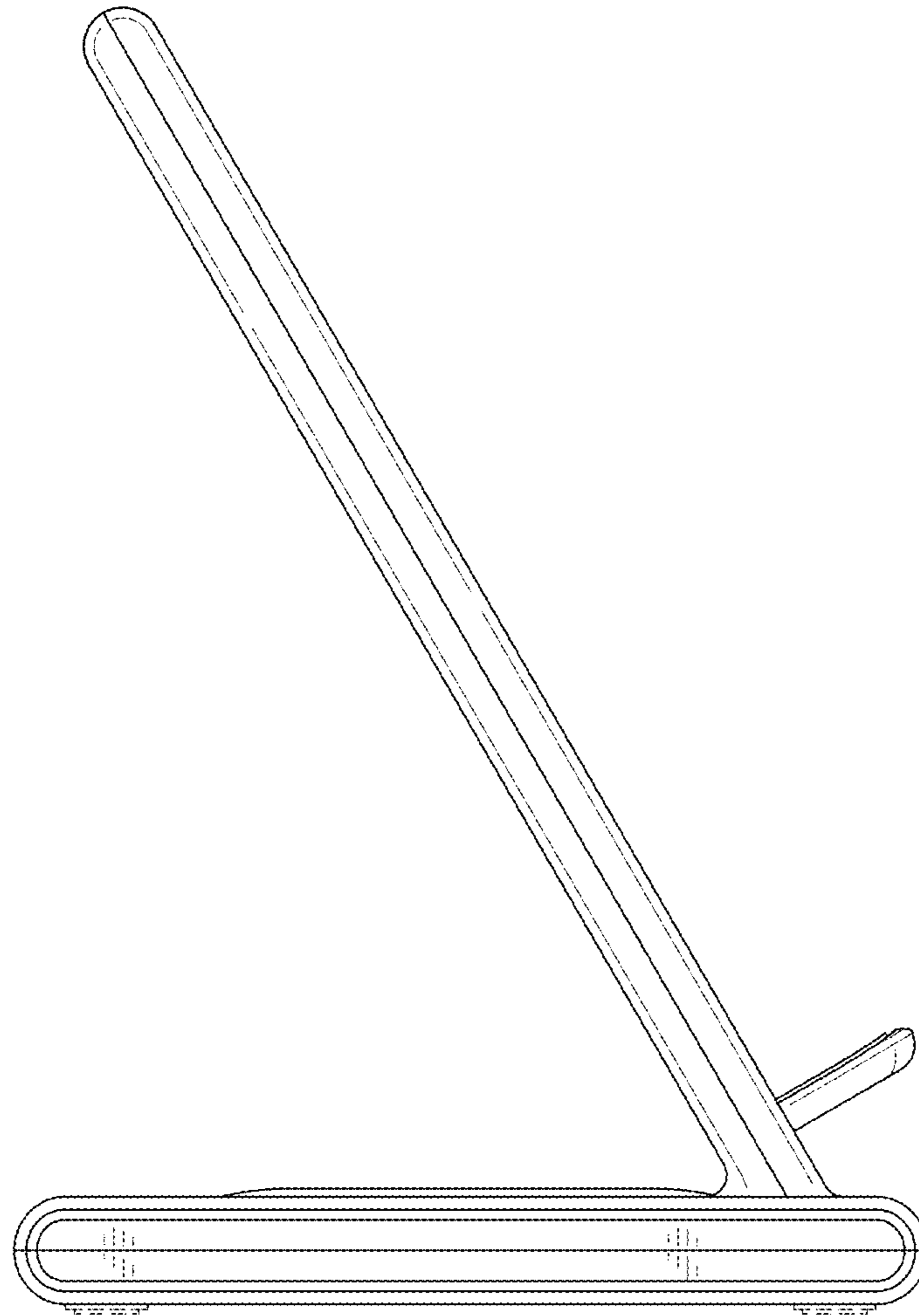


FIG. 5

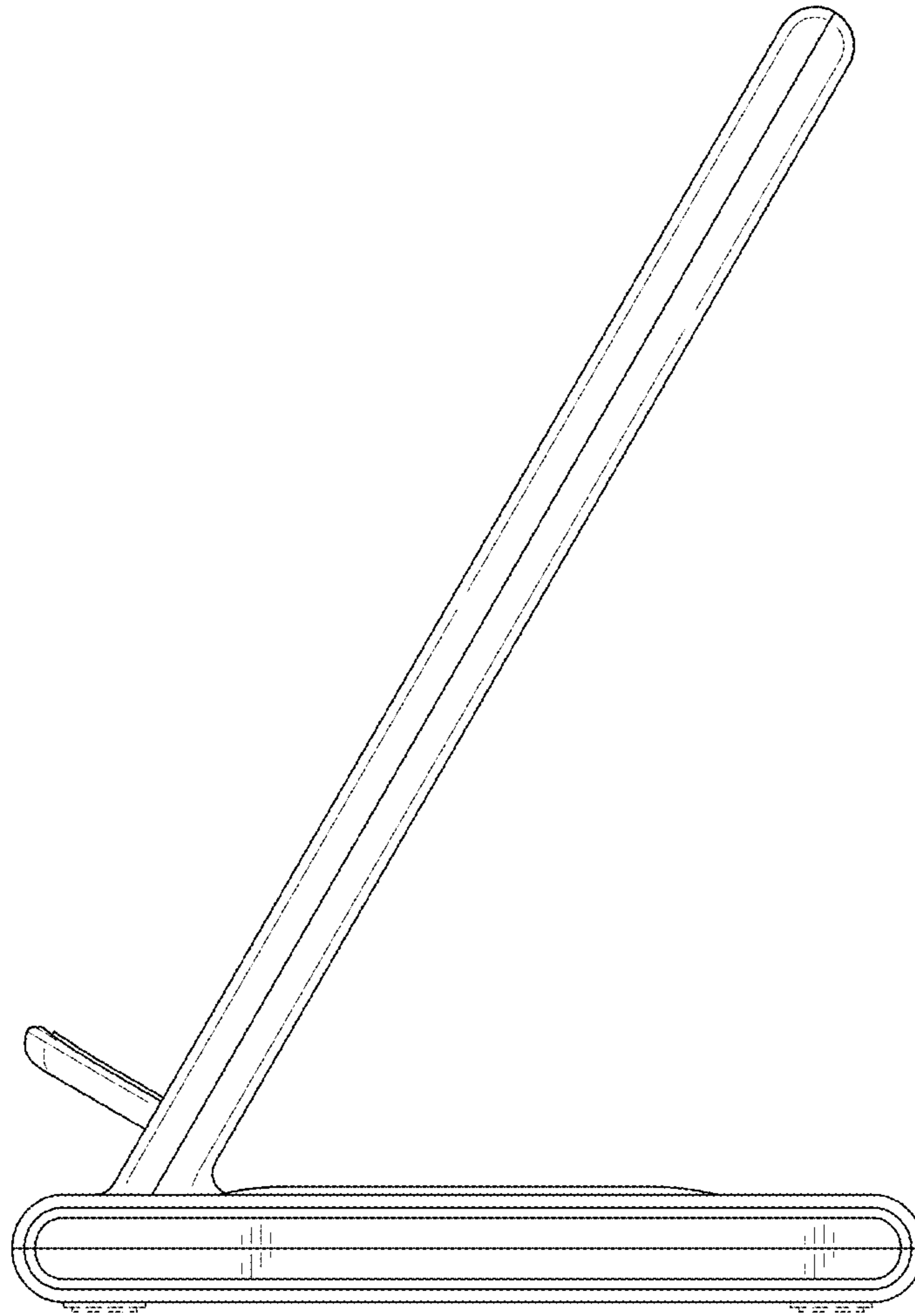


FIG. 6

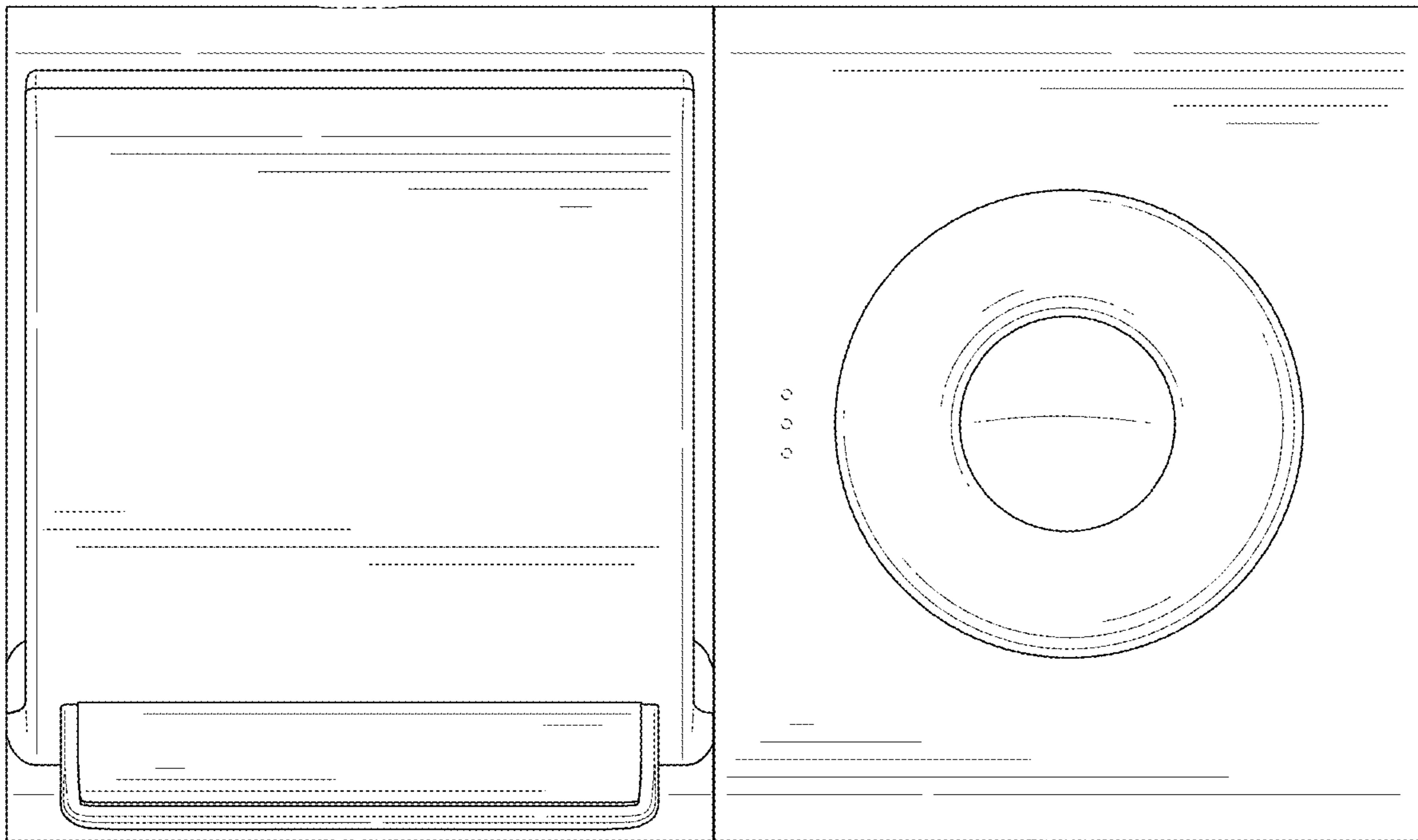


FIG. 7



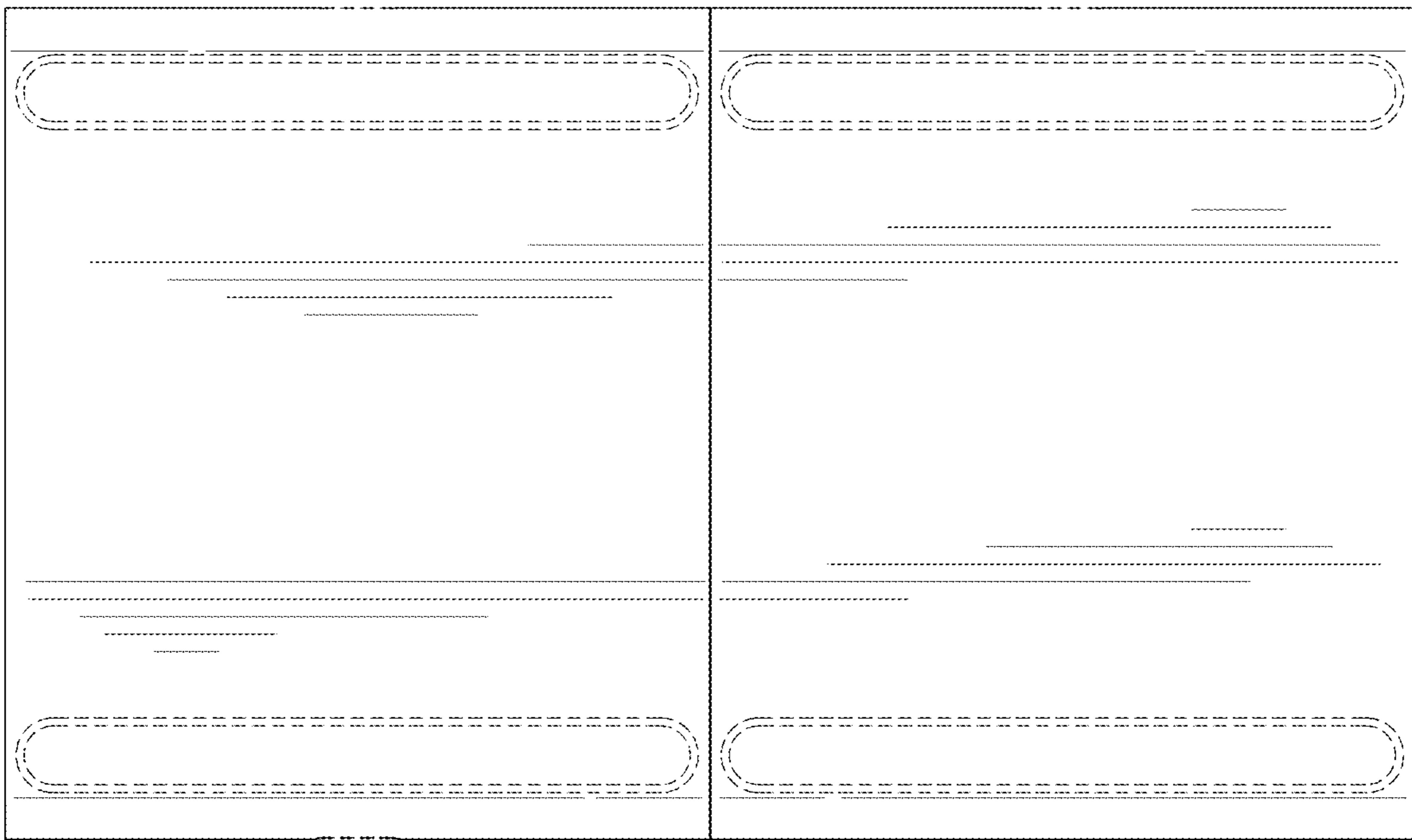


FIG. 8