



US00D884620S

(12) **United States Design Patent** (10) **Patent No.:** **US D884,620 S**
Burchard et al. (45) **Date of Patent:** **** May 19, 2020**

(54) **DOCKING STATION FOR A FLOOR CLEANING DEVICE**

(56) **References Cited**

(71) Applicant: **Alfred Kaercher SE & Co. KG**,
Winnenden (DE)

(72) Inventors: **Jochen Burchard**, Schwaebisch
Gmuend (DE); **Denis Dammkoehler**,
Backnang (DE)

(73) Assignee: **Alfred Kaercher SE & Co. KG**,
Winnenden (DE)

U.S. PATENT DOCUMENTS

D424,734 S * 5/2000 Gager D20/41
D431,838 S * 10/2000 Ragot D20/10
D837,144 S * 1/2019 Nam D13/107
D839,018 S * 1/2019 Boitor D6/512
D867,794 S * 11/2019 Nakamura D6/675

(**) Term: **15 Years**

* cited by examiner

(21) Appl. No.: **29/673,808**

Primary Examiner — Wan Laymon
Assistant Examiner — Mark Booker
(74) *Attorney, Agent, or Firm* — Lipsitz & McAllister,
LLC

(22) Filed: **Dec. 18, 2018**

(57) **CLAIM**

The ornamental design for a docking station for a floor cleaning device, as shown and described.

(30) **Foreign Application Priority Data**

DESCRIPTION

Jul. 9, 2018 (WO) 8158501

(51) **LOC (12) Cl.** **13-02**

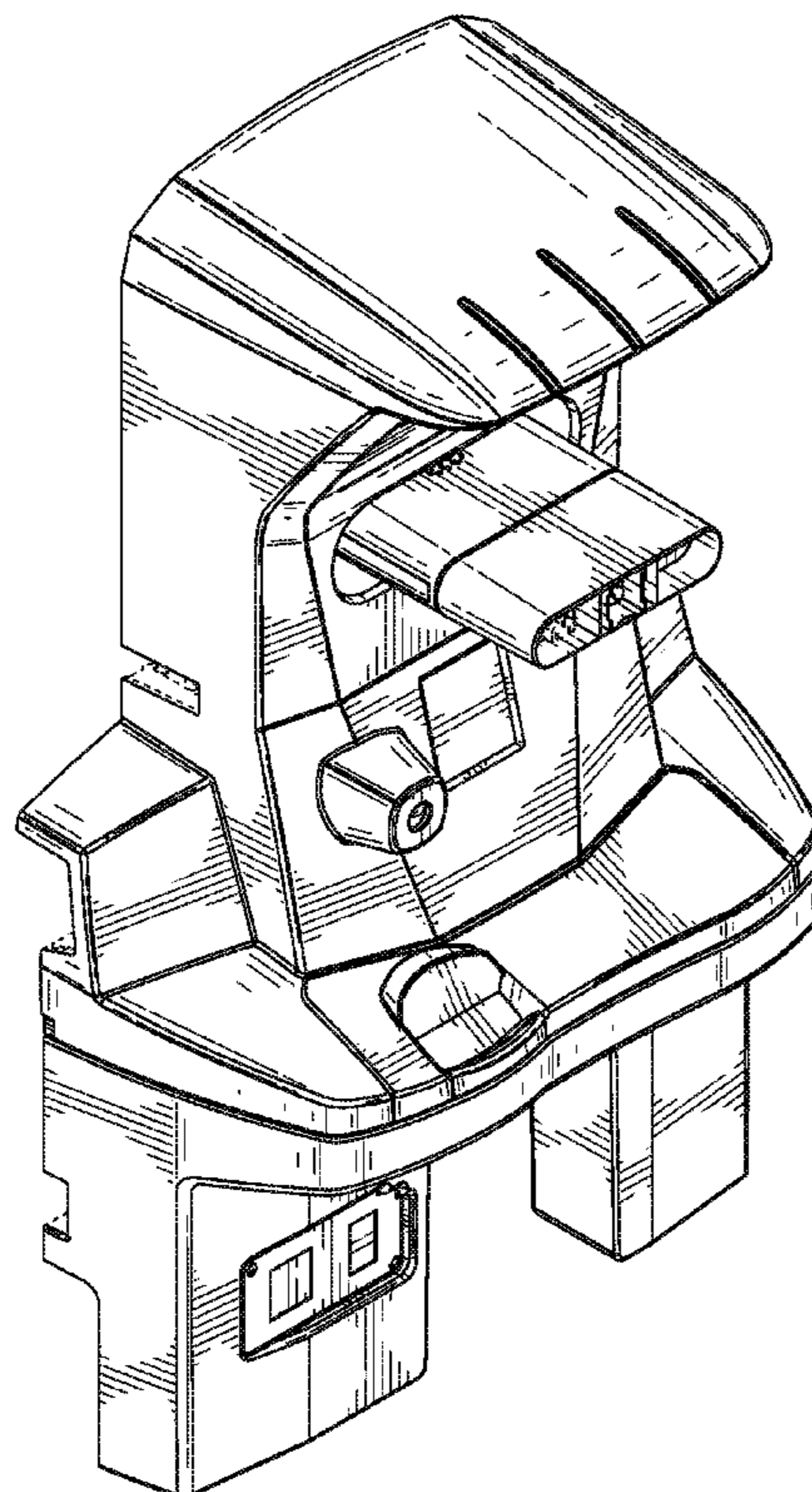
(52) **U.S. Cl.**
USPC **D13/108**

(58) **Field of Classification Search**
USPC D6/553, 512, 310, 332, 552, 554, 672,
D6/675, 680.2–682.2, 708, 708.17;
D13/102, 107, 108, 109, 110; 320/110;
D20/10, 41; D32/31, 32; D26/106
CPC A47G 29/00; A47L 11/40; E04H 12/22;
F16M 11/2035

See application file for complete search history.

FIG. 1 is a front, top and right side perspective view of a docking station for a floor cleaning device showing the new design;
FIG. 2 is a front, top and left side perspective view thereof;
FIG. 3 is a front elevational view thereof;
FIG. 4 is a left side elevational view thereof;
FIG. 5 is a rear elevational view thereof;
FIG. 6 is a right side elevational view thereof; and,
FIG. 7 is a top plan view thereof.
The broken lines showing of various elements in FIGS. 1-7 forms no part of the claimed design.

1 Claim, 7 Drawing Sheets



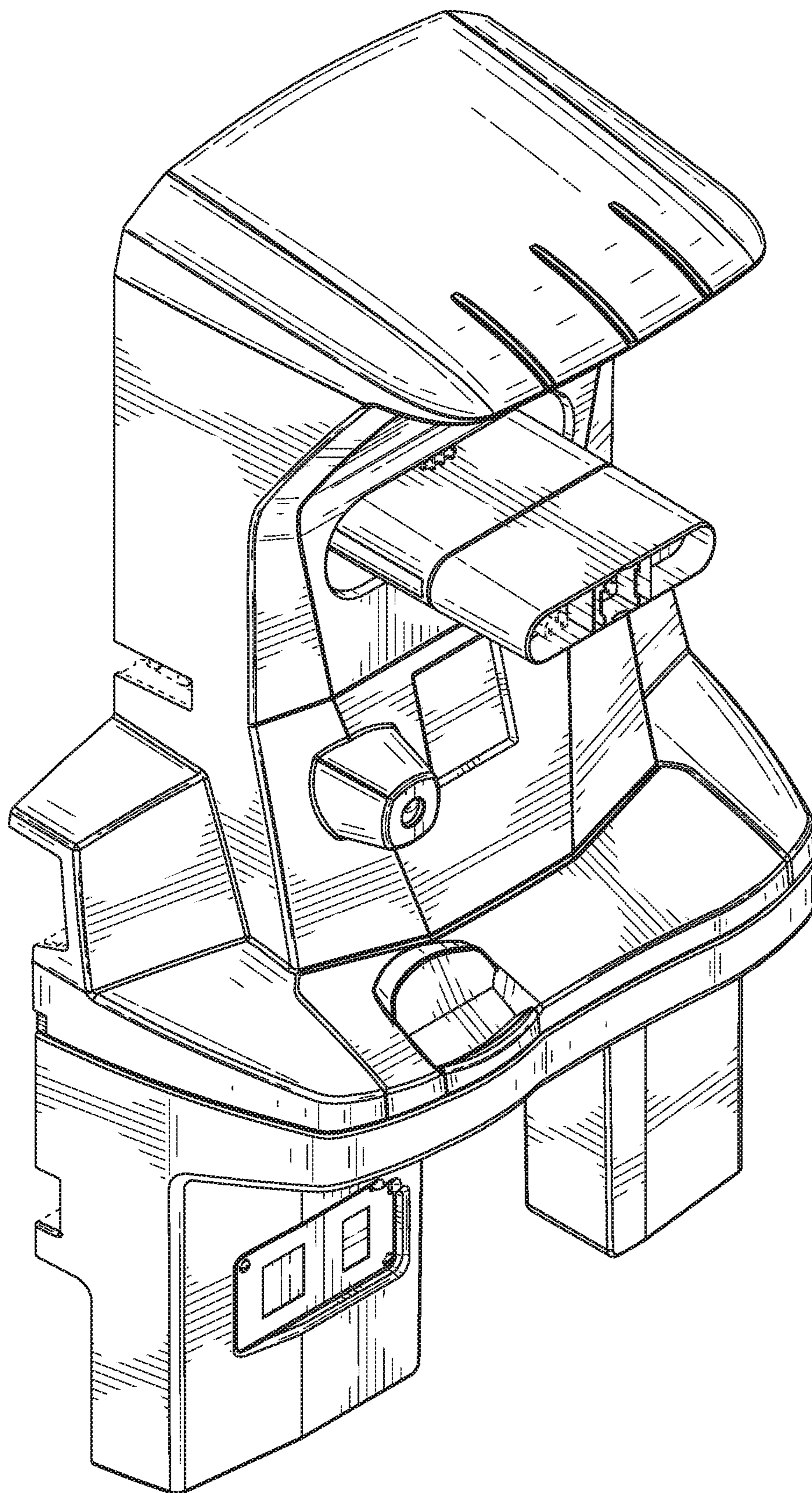


FIG. 1

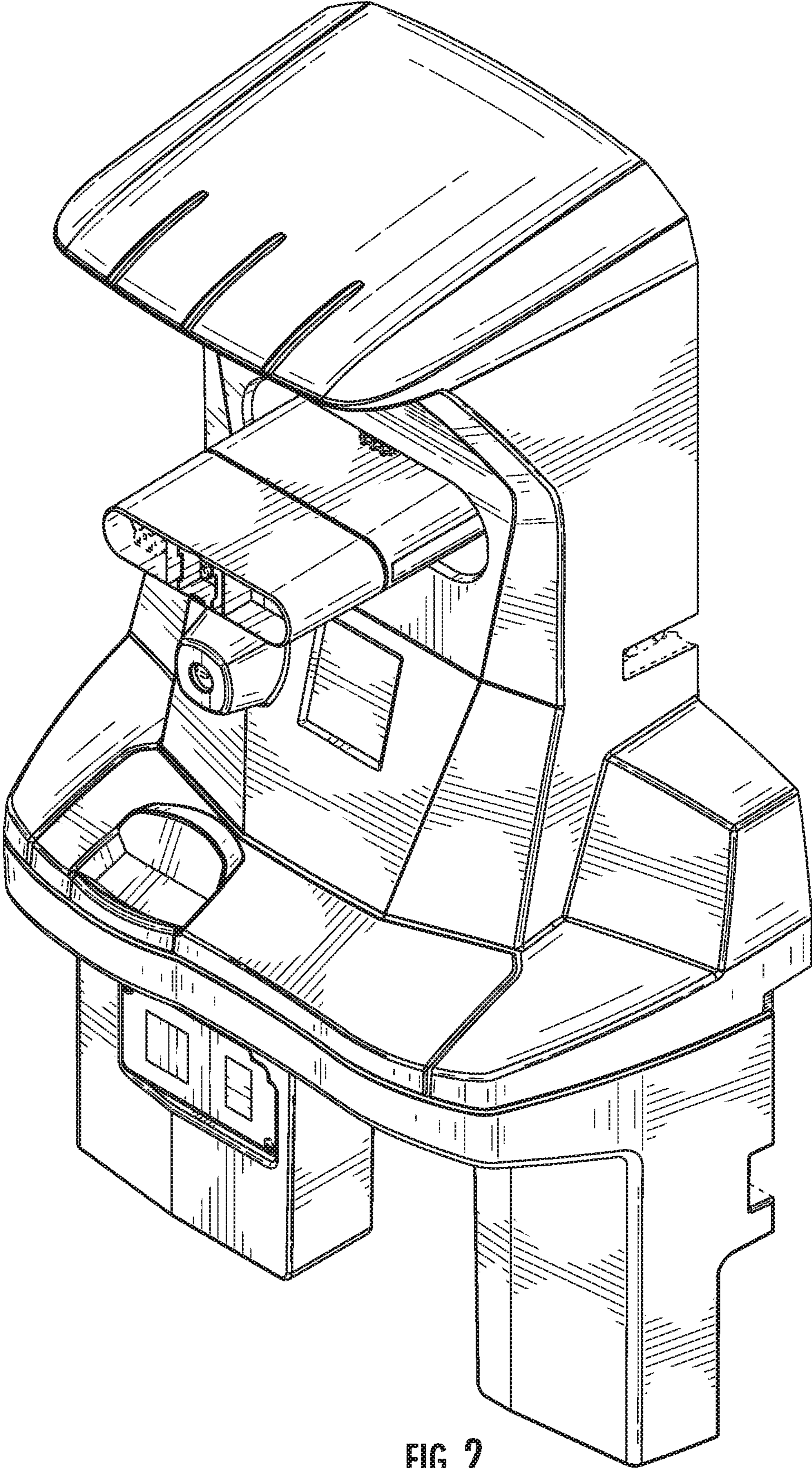


FIG. 2

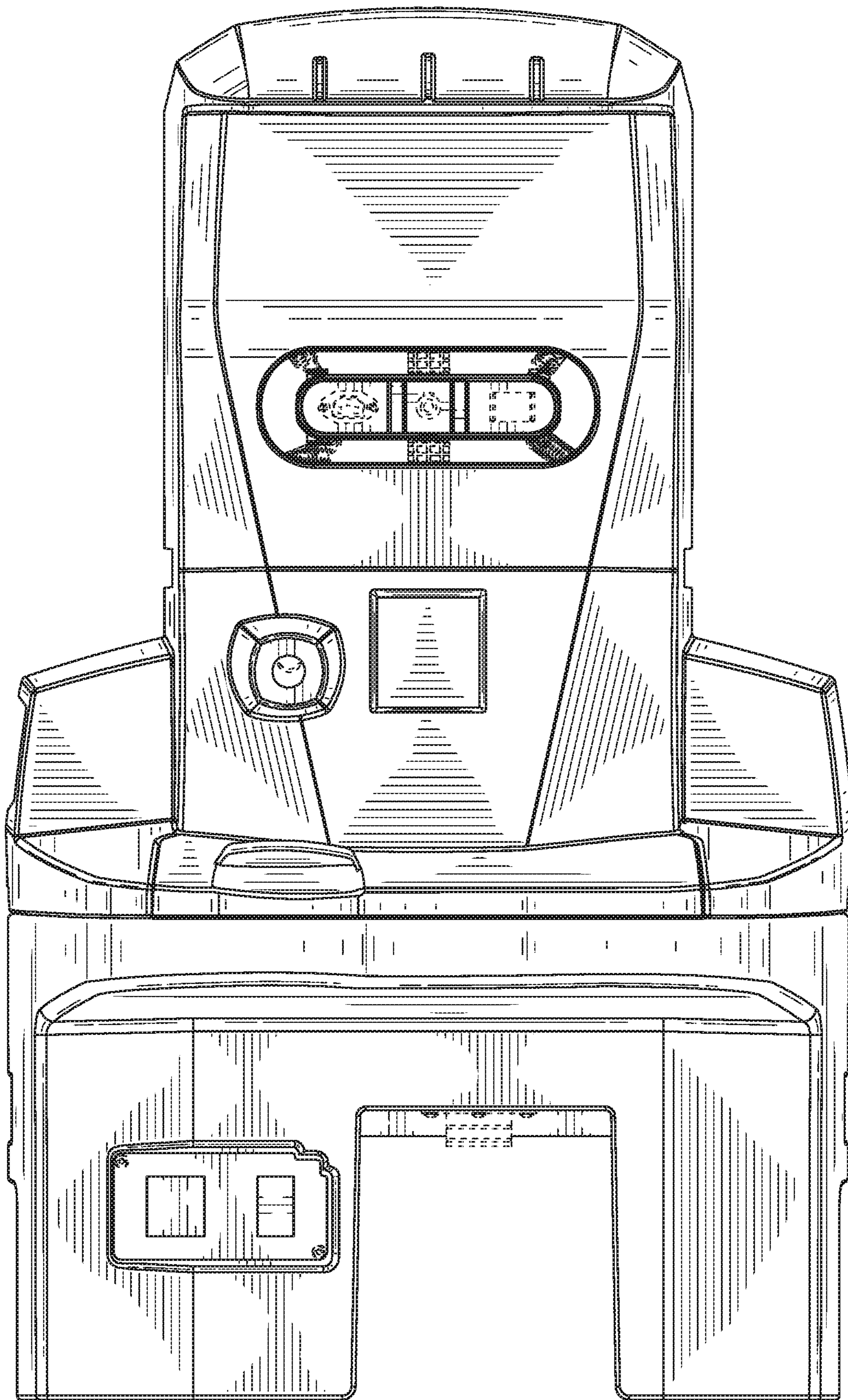


FIG. 3

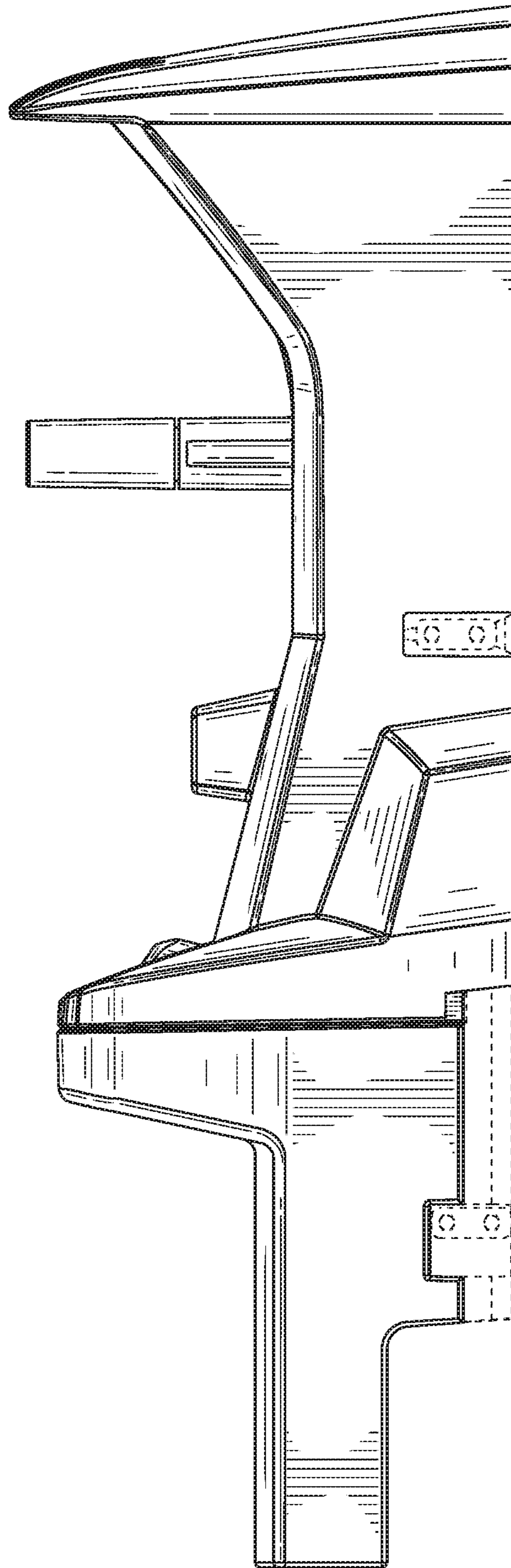


FIG. 4

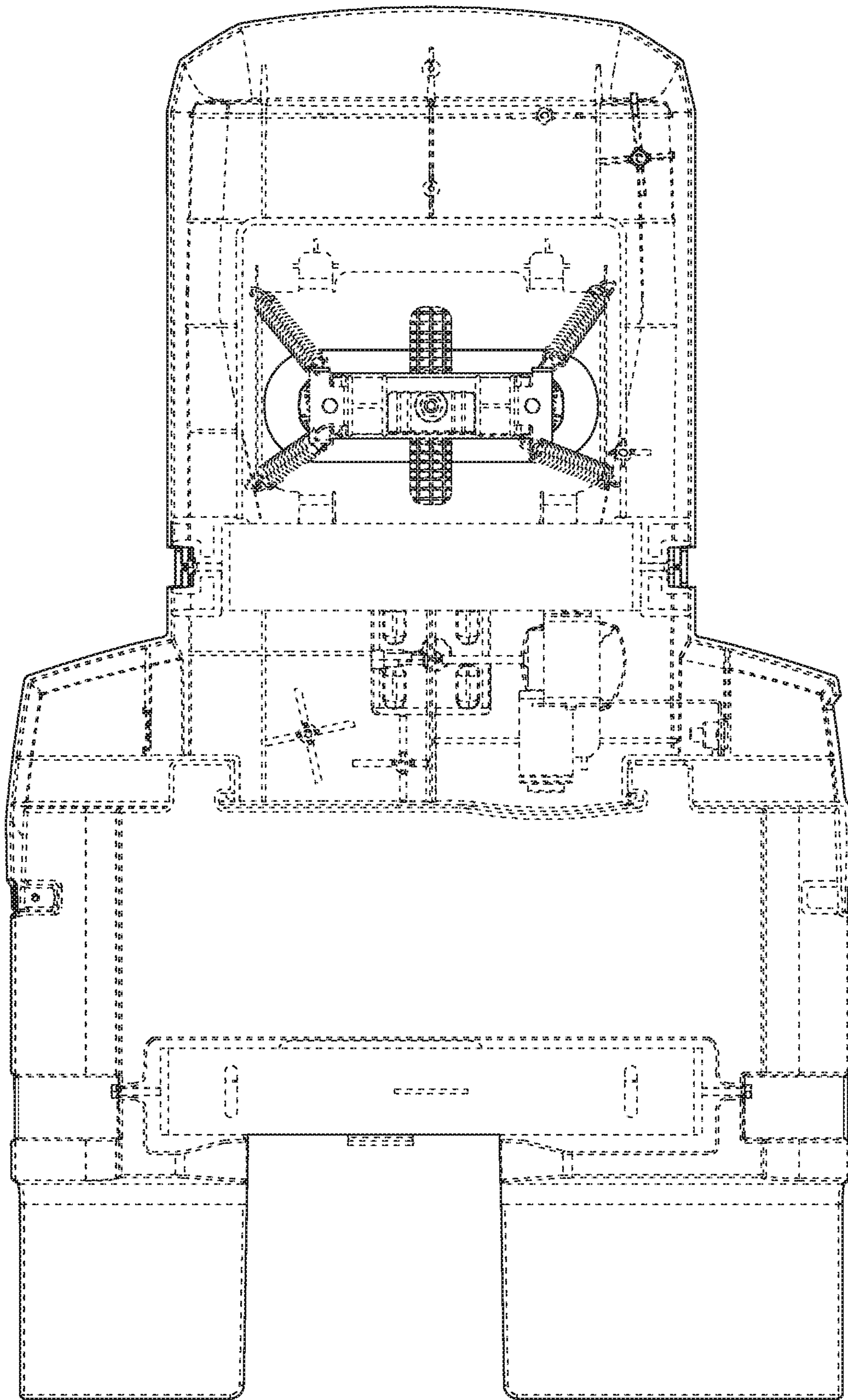


FIG. 5

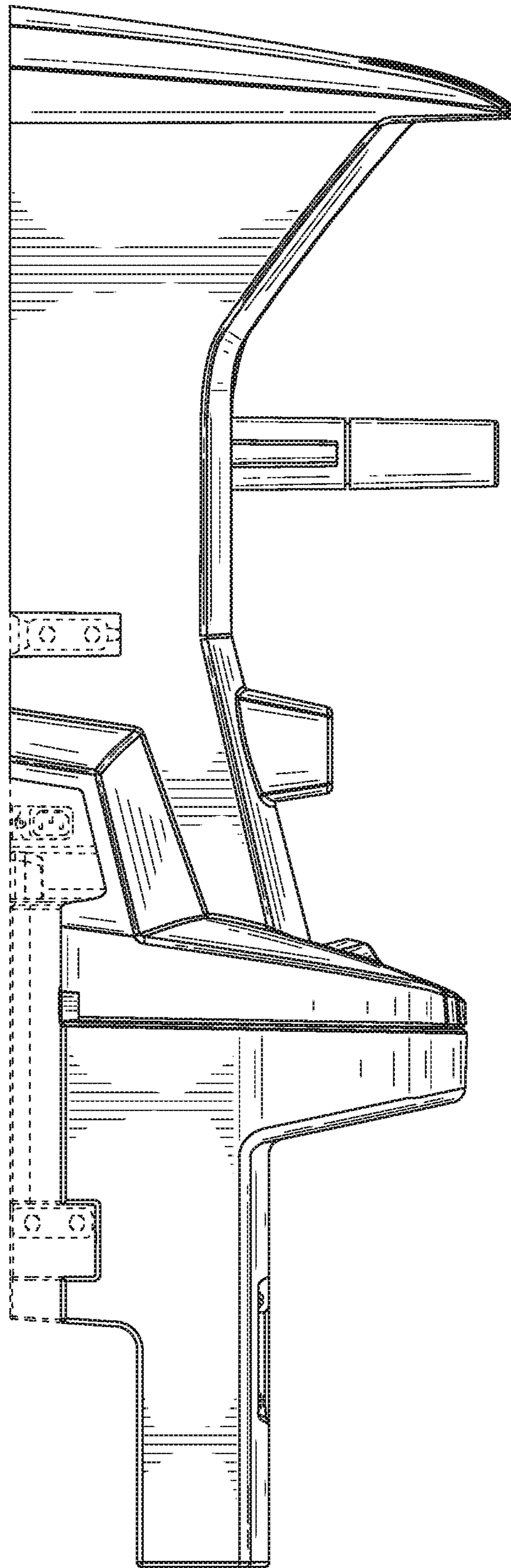


FIG. 6

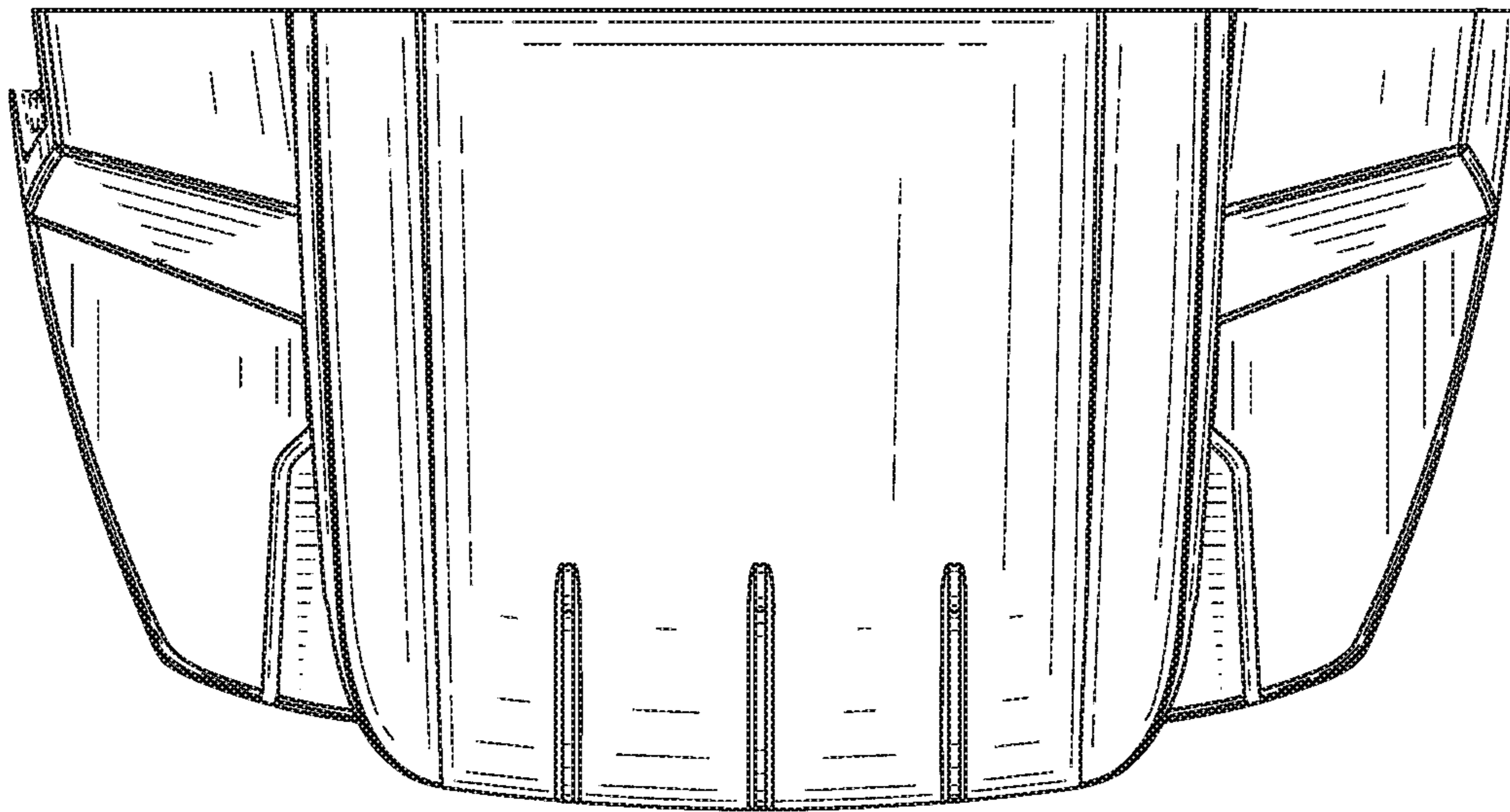


FIG. 7