



US00D884619S

(12) **United States Design Patent** (10) **Patent No.:** **US D884,619 S**
Liao (45) **Date of Patent:** **** May 19, 2020**

(54) **PORTABLE CHARGING DEVICE**
(71) Applicant: **Gopod Group Ltd.**,
Shenzhen/Guangdong (CN)
(72) Inventor: **Zhuowen Liao**, Shenzhen (CN)
(73) Assignee: **GUANGDONG GOPOD GROUP**
HOLDING CO., LTD., Shenzhen (CN)
(**) Term: **15 Years**
(21) Appl. No.: **29/672,939**
(22) Filed: **Dec. 11, 2018**
(30) **Foreign Application Priority Data**
Dec. 6, 2018 (CN) 2018 3 0702291
(51) **LOC (12) Cl.** **13-02**
(52) **U.S. Cl.**
USPC **D13/108**
(58) **Field of Classification Search**
USPC D13/103-110, 118, 119, 184, 199;
D14/251, 253, 432, 434
CPC Y02E 60/10; Y02E 60/12; Y02E 60/122;
Y02E 60/124; Y02E 60/50; H01M 2/02;
H01M 2/022; H01M 2/0202; H01M
2/0207; H01M 2/0212; H01M 2/1061;
H01M 2/1022; H01M 2/1055; H01M
2/1066; H01M 2/105; H01M 2/20; H01M
2/202; H01M 2/204; H01M 2/206; H01M
10/44; H01M 10/46; H01M 10/465;
H01M 10/482; H01M 2200/30; H01M
2250/30; H01M 2250/40; H02J 7/00;
H02J 7/0003; H02J 7/0011; H02J 7/0013;
H02J 7/0054; H02J 7/0055; H02J 7/0057;
H02J 2007/0062
See application file for complete search history.

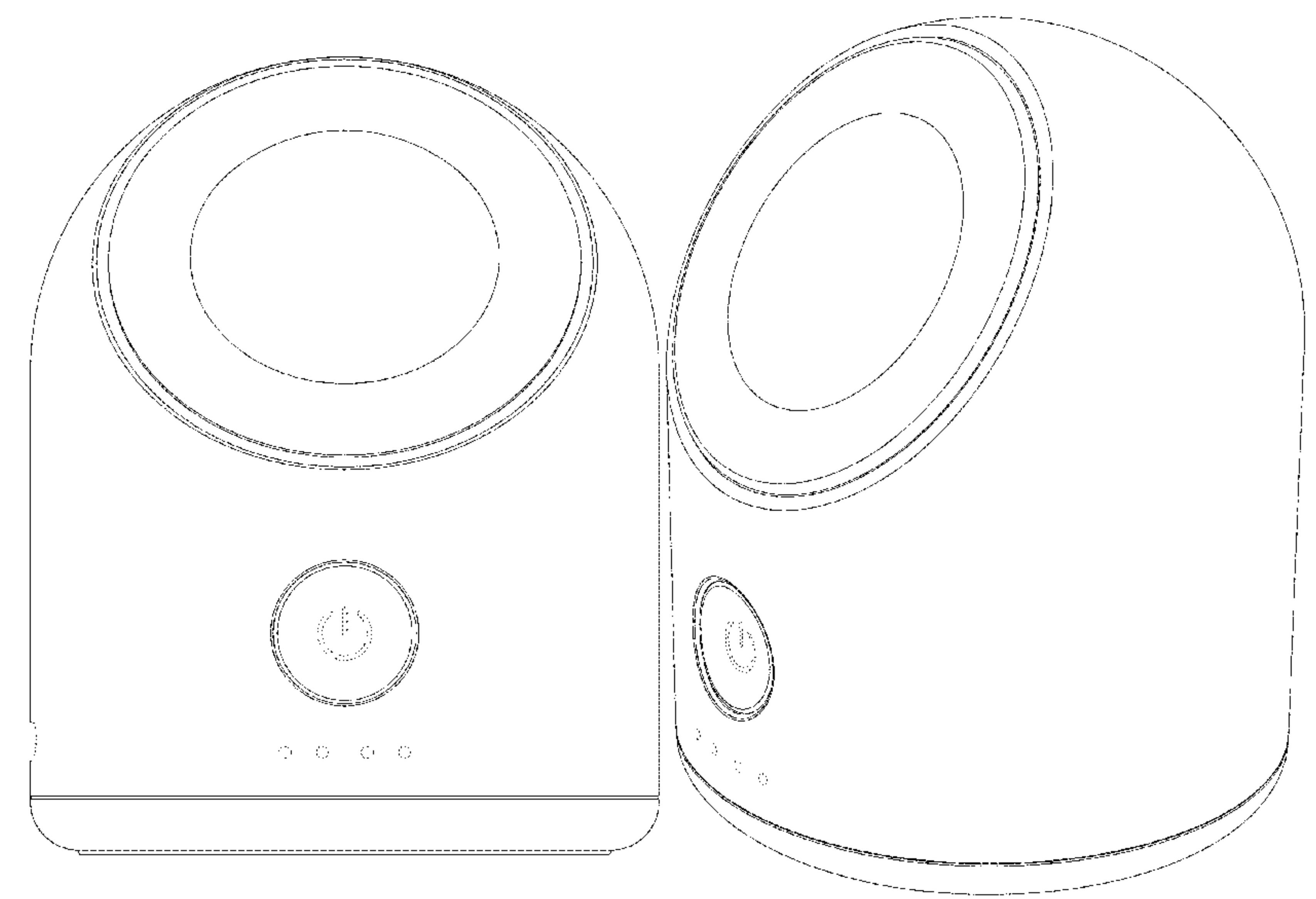
(56) **References Cited**
U.S. PATENT DOCUMENTS
D620,884 S * 8/2010 Lee D13/108
D697,027 S * 1/2014 Ho D13/108
D701,831 S * 4/2014 Park D13/108
D720,688 S * 1/2015 Popper D13/103
D740,221 S * 10/2015 Popper D13/103
D752,512 S * 3/2016 Dorn D13/107
D758,304 S * 6/2016 Wright D13/107
D768,604 S * 10/2016 Flowers D13/108
D800,060 S * 10/2017 Solland D13/108
D801,307 S * 10/2017 Kim D14/216
D812,565 S * 3/2018 Lee D13/110
D815,034 S * 4/2018 Zhao D13/107
D851,035 S * 6/2019 Hong D13/108
D851,038 S * 6/2019 Peng D13/110
D853,960 S * 7/2019 Lei D13/108
D859,415 S * 9/2019 Liao D14/434
(Continued)

Primary Examiner — Rosemary K Tarcza
Assistant Examiner — Christy M Nemeth
(74) *Attorney, Agent, or Firm* — Dorsey & Whitney LLP

(57) **CLAIM**
The ornamental design for a portable charging device, as shown and described.

DESCRIPTION
FIG. 1 is a front view of a portable charging device showing my new design;
FIG. 2 is a right side view thereof
FIG. 3 is a left side view thereof;
FIG. 4 is a rear view thereof;
FIG. 5 is a top view thereof;
FIG. 6 is a bottom view thereof;
FIG. 7 is a top, front, right side perspective view thereof;
and,
FIG. 8 is a top, front, left side perspective view thereof.
The broken lines shown in the drawings illustrate portions of the portable charging device that form no part of the claimed design.

1 Claim, 8 Drawing Sheets



(56)

References Cited

U.S. PATENT DOCUMENTS

D860,951 S * 9/2019 Hu D13/144
2017/0099873 A1* 4/2017 Benamignan H05B 1/0244

* cited by examiner

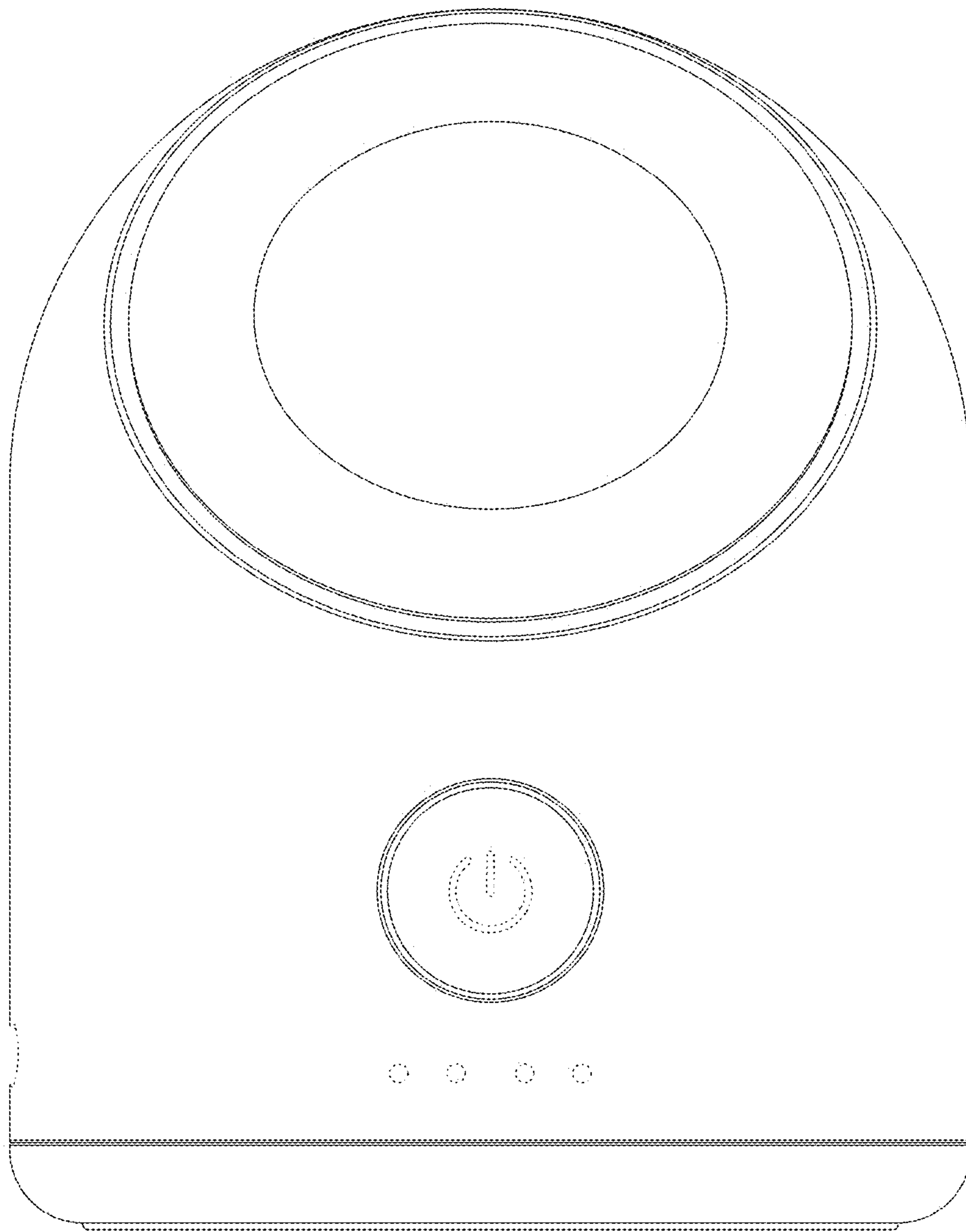


FIG. 1

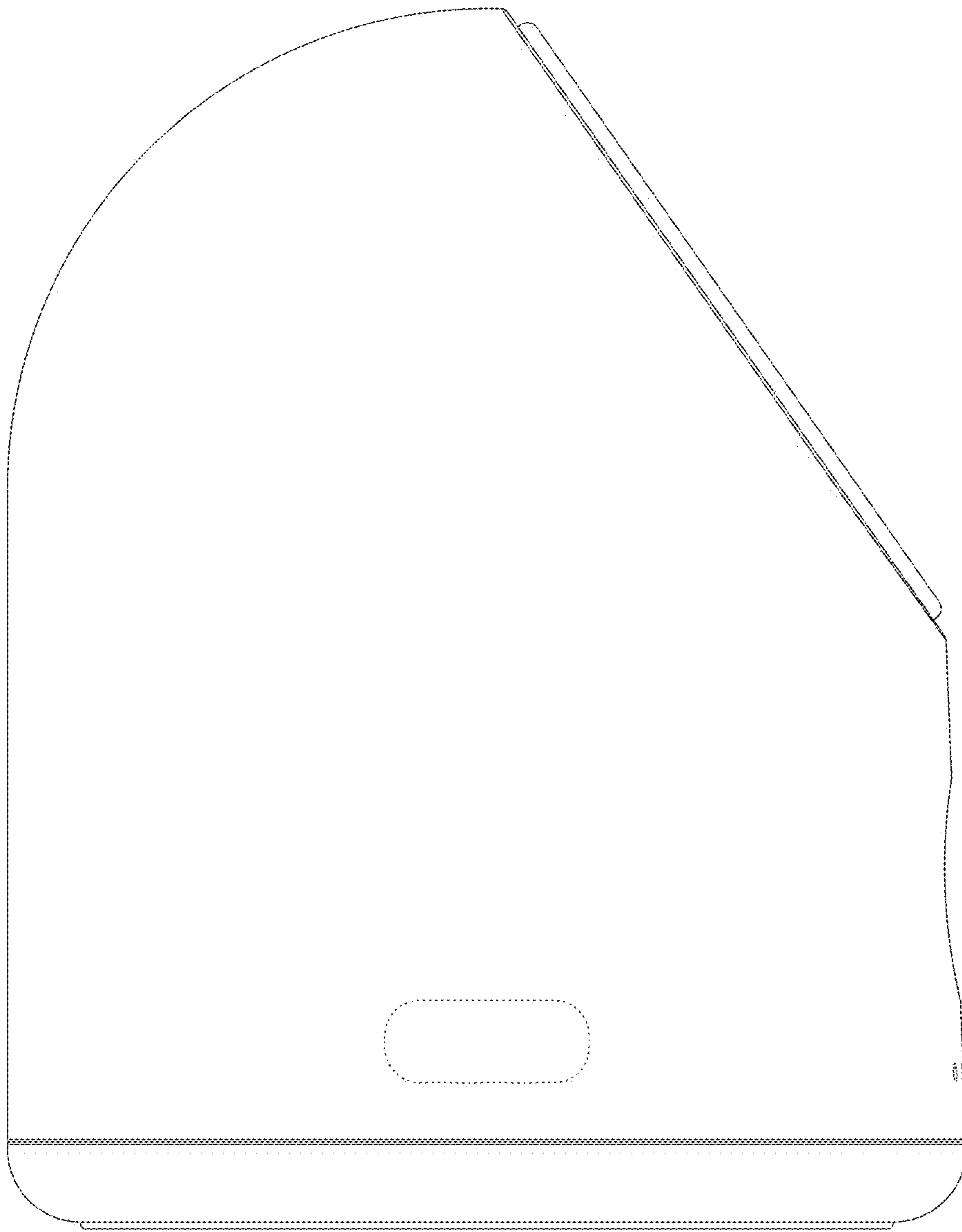


FIG. 2

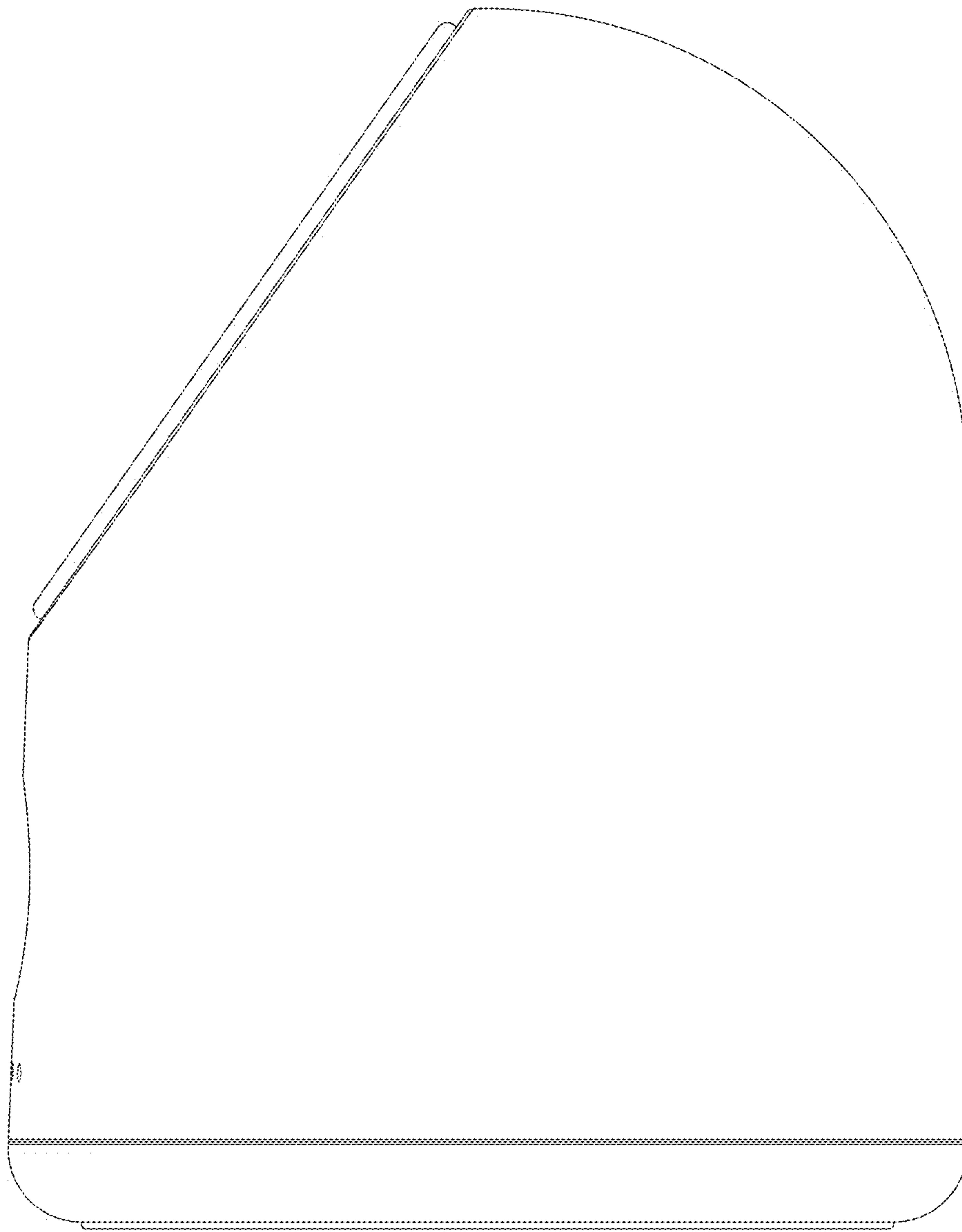


FIG. 3

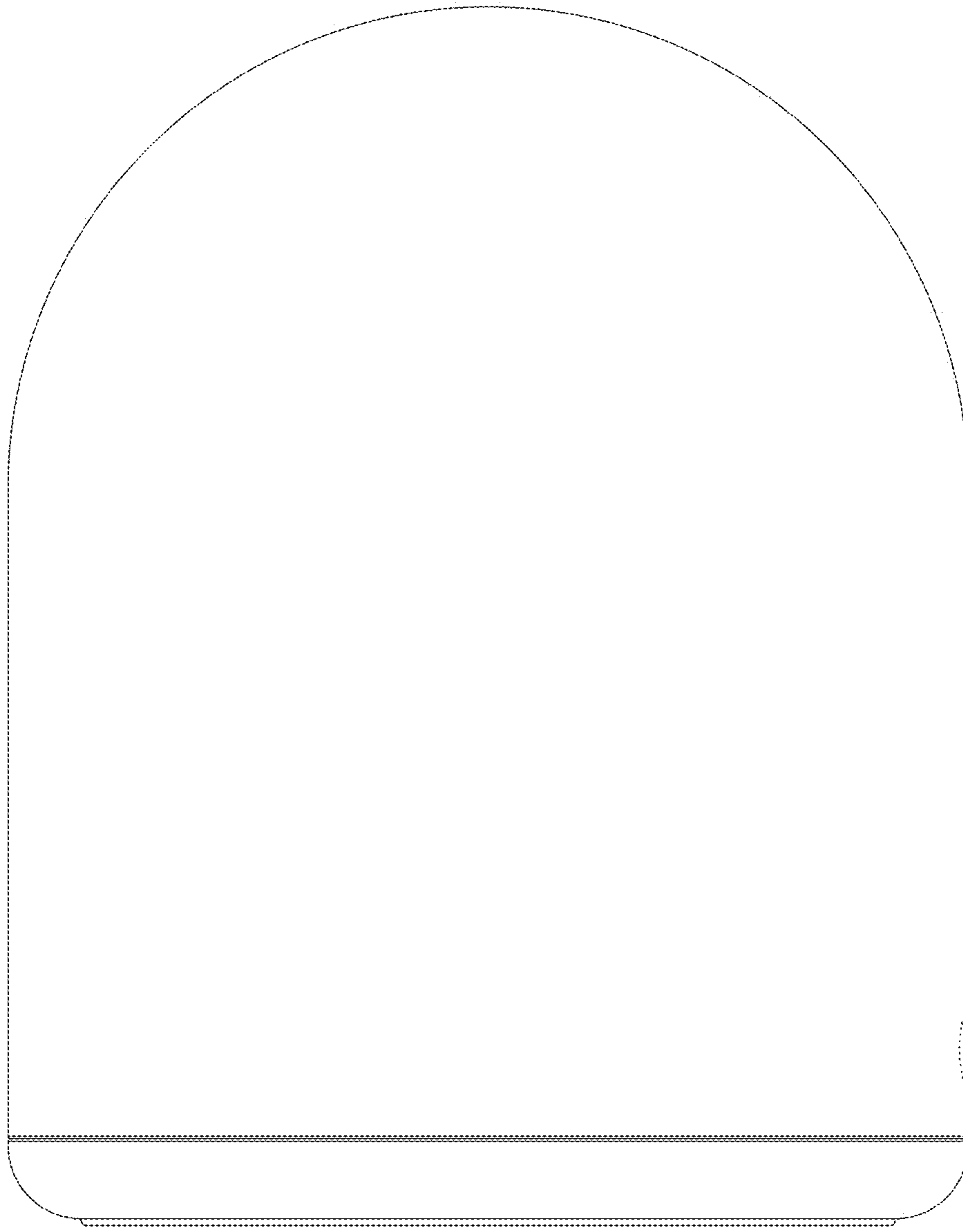


FIG. 4

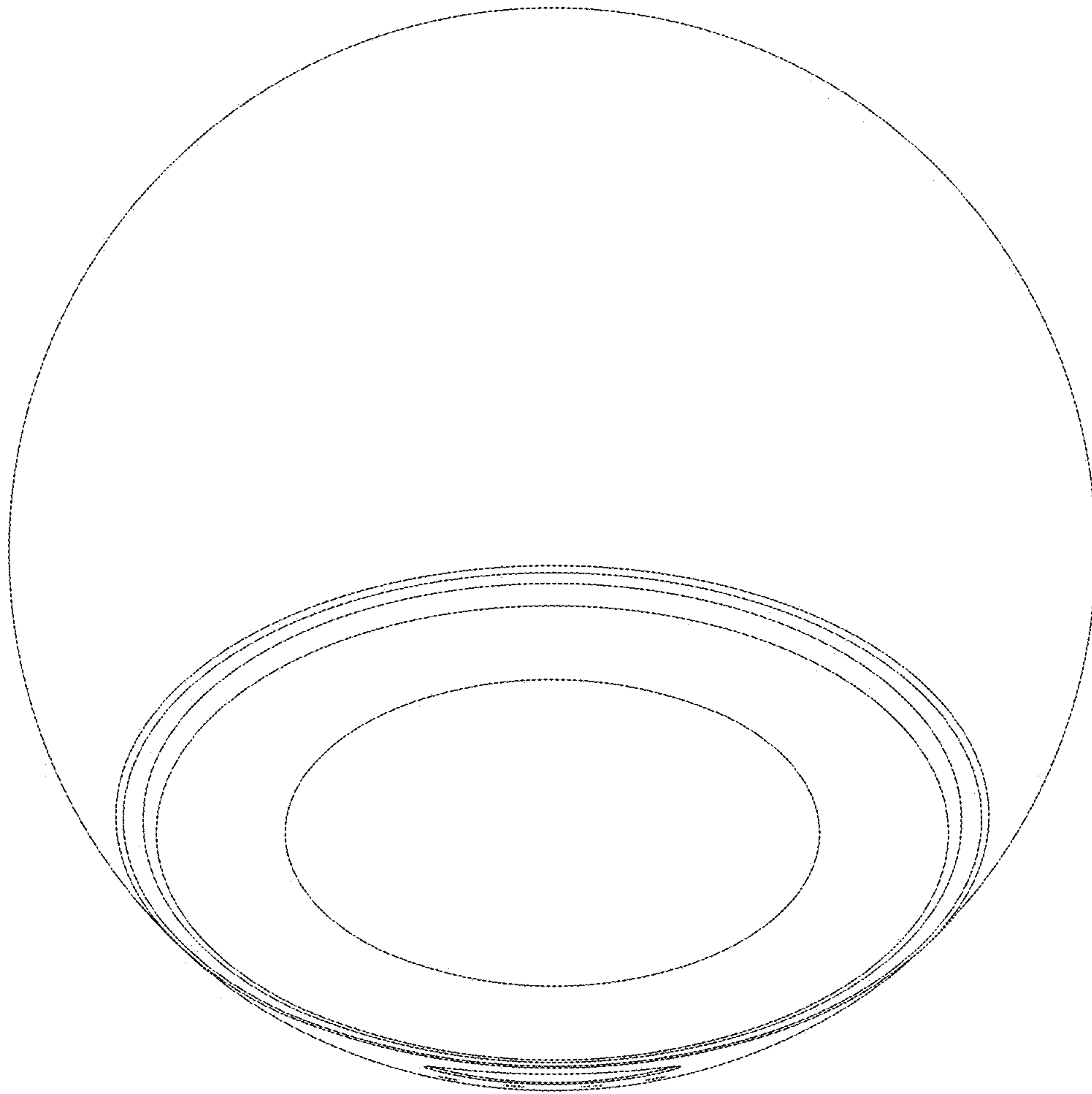


FIG. 5

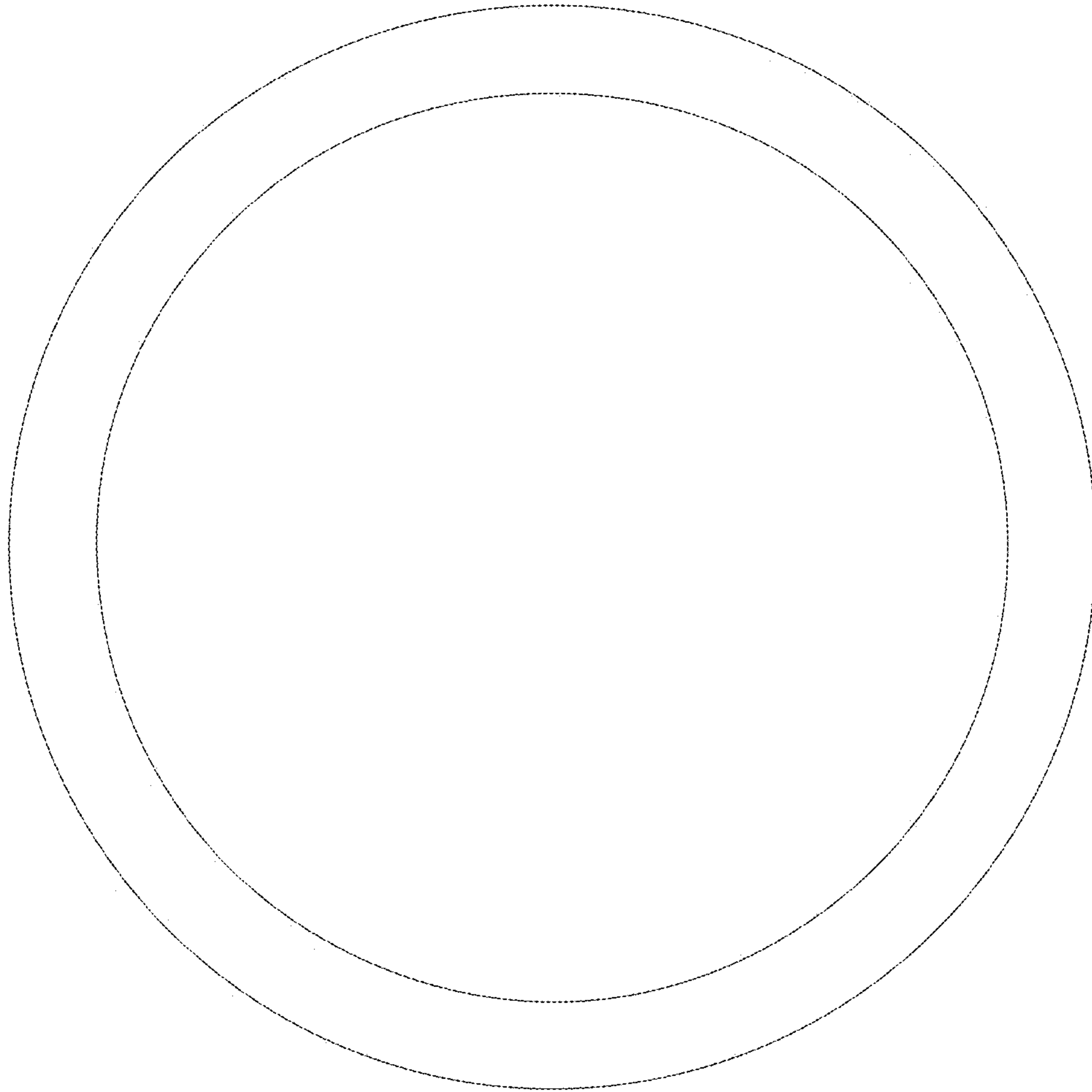


FIG. 6

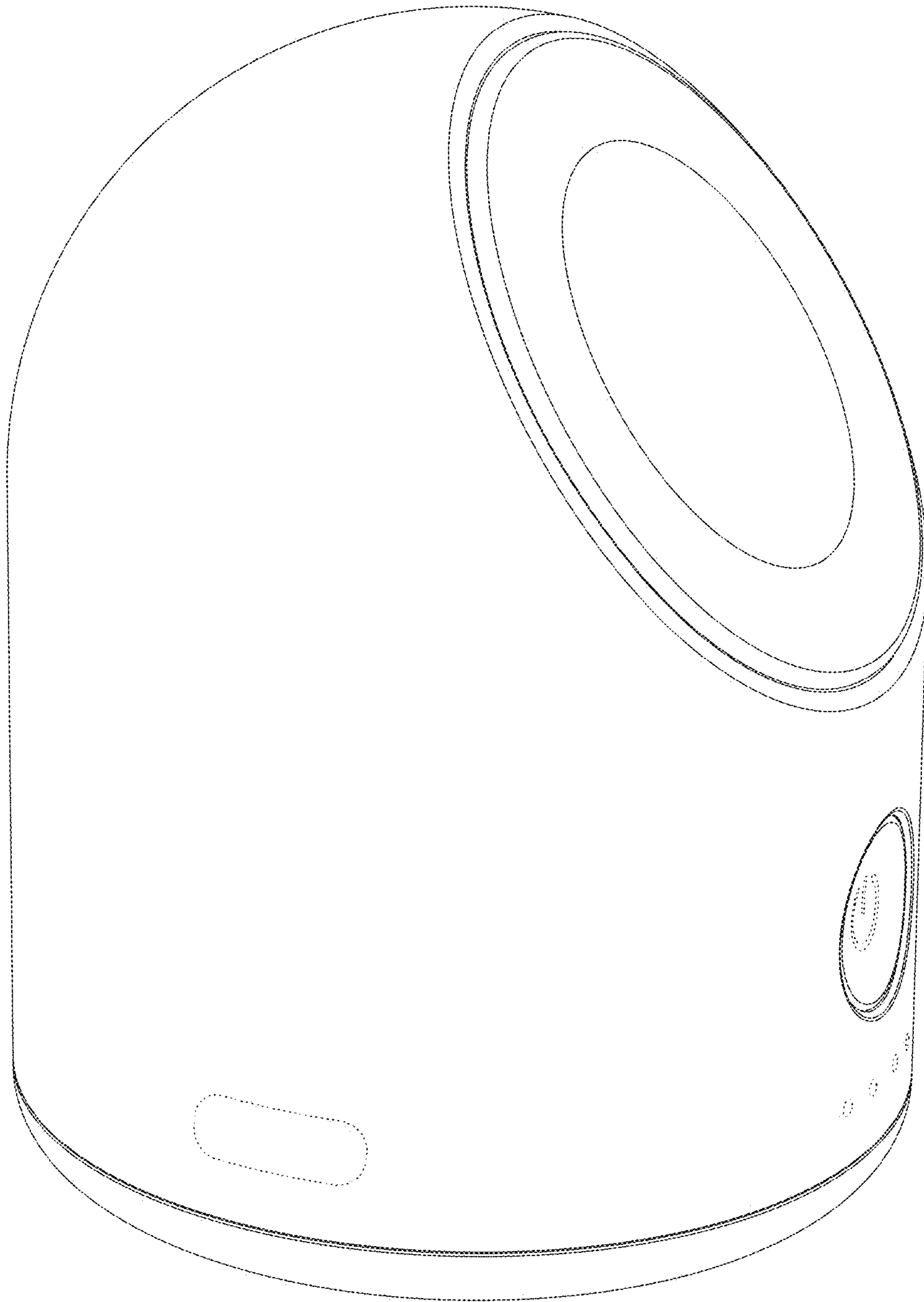


FIG. 7

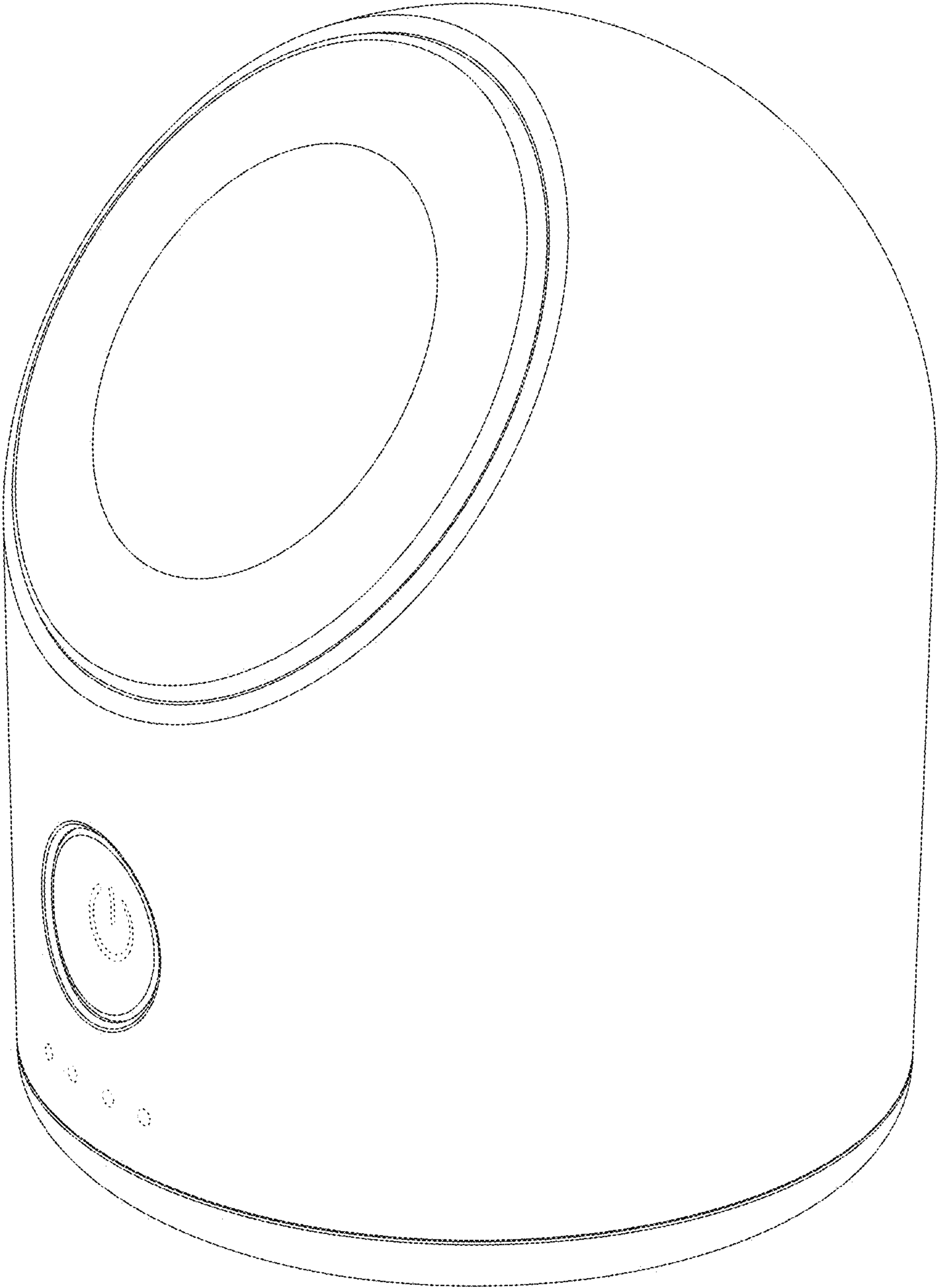


FIG. 8