



US00D884617S

(12) **United States Design Patent** (10) **Patent No.:** **US D884,617 S**
Matsuoka et al. (45) **Date of Patent:** **** May 19, 2020**

(54) **CHARGER**

(71) Applicant: **Google LLC**, Mountain View, CA (US)

(72) Inventors: **Yoshimichi Matsuoka**, Sunnyvale, CA (US); **Vincent Remy Claudepierre**, San Francisco, CA (US); **Christophe Philippe Guy Koch**, Santa Cruz, CA (US)

(73) Assignee: **Google LLC**, Mountain View, CA (US)

(**) Term: **15 Years**

(21) Appl. No.: **29/644,896**

(22) Filed: **Apr. 20, 2018**

(51) **LOC (12) Cl.** **13-02**

(52) **U.S. Cl.**
USPC **D13/108**

(58) **Field of Classification Search**
USPC D13/107-110, 118-119, 184; D14/251, D14/253, 432, 434

CPC Y02E 60/12; Y02T 90/14; Y02T 90/122; Y02T 90/128; Y02T 90/163; H02J 7/025; H02J 7/0042; H02J 7/0044; H02J 7/0045; H02J 7/0003; H01F 38/14; H01R 13/6675; H01M 2/1022; H01M 2/1055; H01M 10/44; H01M 10/46; H01M 10/425; B60L 11/182

See application file for complete search history.

(56) **References Cited**

U.S. PATENT DOCUMENTS

D611,408 S * 3/2010 Ferber D13/108
D682,199 S * 5/2013 Rautiainen D13/108
D682,200 S * 5/2013 Rautiainen D13/108
D697,476 S * 1/2014 Jeong D13/108
D731,967 S * 6/2015 Tuhkanen D13/108
D736,210 S * 8/2015 Paradise D14/434
D736,706 S * 8/2015 Huang D13/108
D788,035 S * 5/2017 Bang D13/108

D797,667 S * 9/2017 Park D13/108
D826,151 S * 8/2018 Akana D13/108
D851,587 S * 6/2019 Schmidt D13/108
D864,860 S * 10/2019 Zhan D13/108
2015/0188356 A1* 7/2015 Chen H02J 7/025
320/108

FOREIGN PATENT DOCUMENTS

CN 201630165645.0 5/2016
CN 305380875 * 10/2019
KR 3009039610000 4/2017
WO WO-D080046-0001 1/2013

OTHER PUBLICATIONS

Notice of Grant for Japanese design application No. 2018-014424.
Notification Japanese design application No. 2018-014424.

* cited by examiner

Primary Examiner — Nathaniel D. Buckner

(74) *Attorney, Agent, or Firm* — Finnegan, Henderson, Farabow, Garrett & Dunner LLP

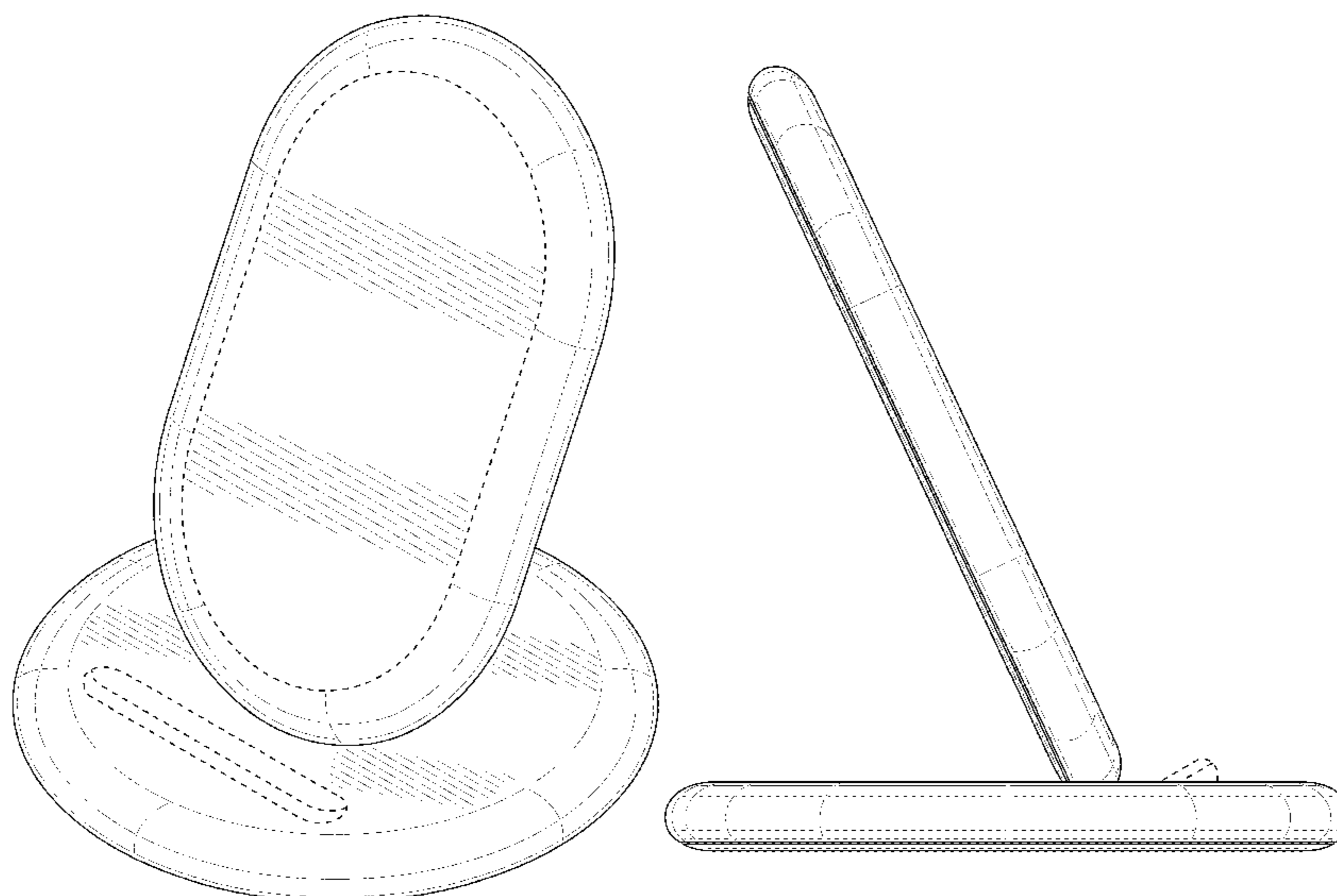
(57) **CLAIM**

The ornamental design for a charger, as shown and described.

DESCRIPTION

FIG. 1 is a top, front, right perspective view of a charger, showing our new design;
FIG. 2 is a bottom, rear, left perspective view thereof;
FIG. 3 is a front elevation view thereof;
FIG. 4 is a rear elevation view thereof;
FIG. 5 is a left side view thereof;
FIG. 6 is a right side view thereof;
FIG. 7 is a top plan view thereof; and
FIG. 8 is a bottom plan view thereof.
The broken lines shown in the drawings illustrate portions of the charger that form no part of the claimed design.

1 Claim, 8 Drawing Sheets



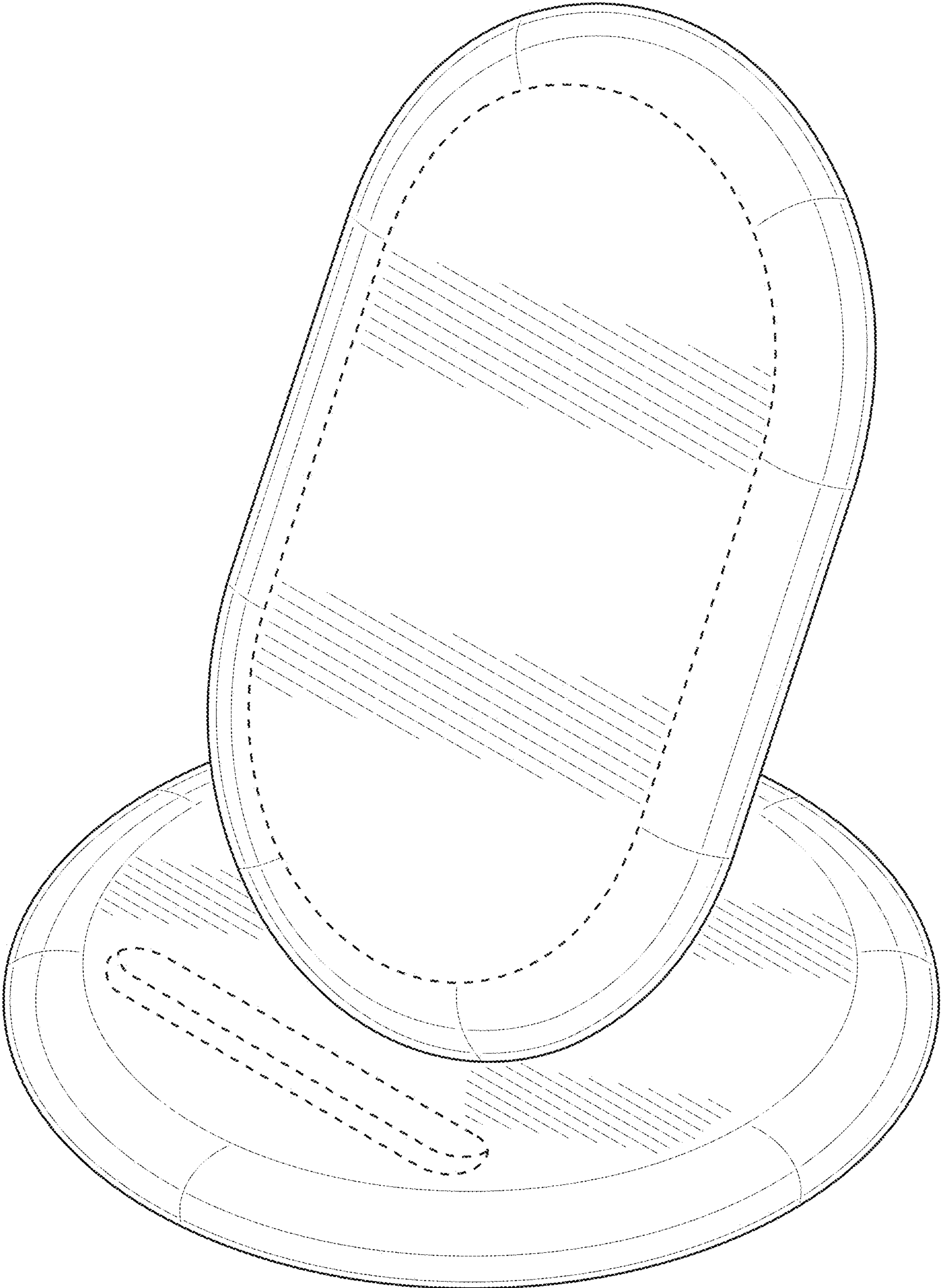


FIG. 1

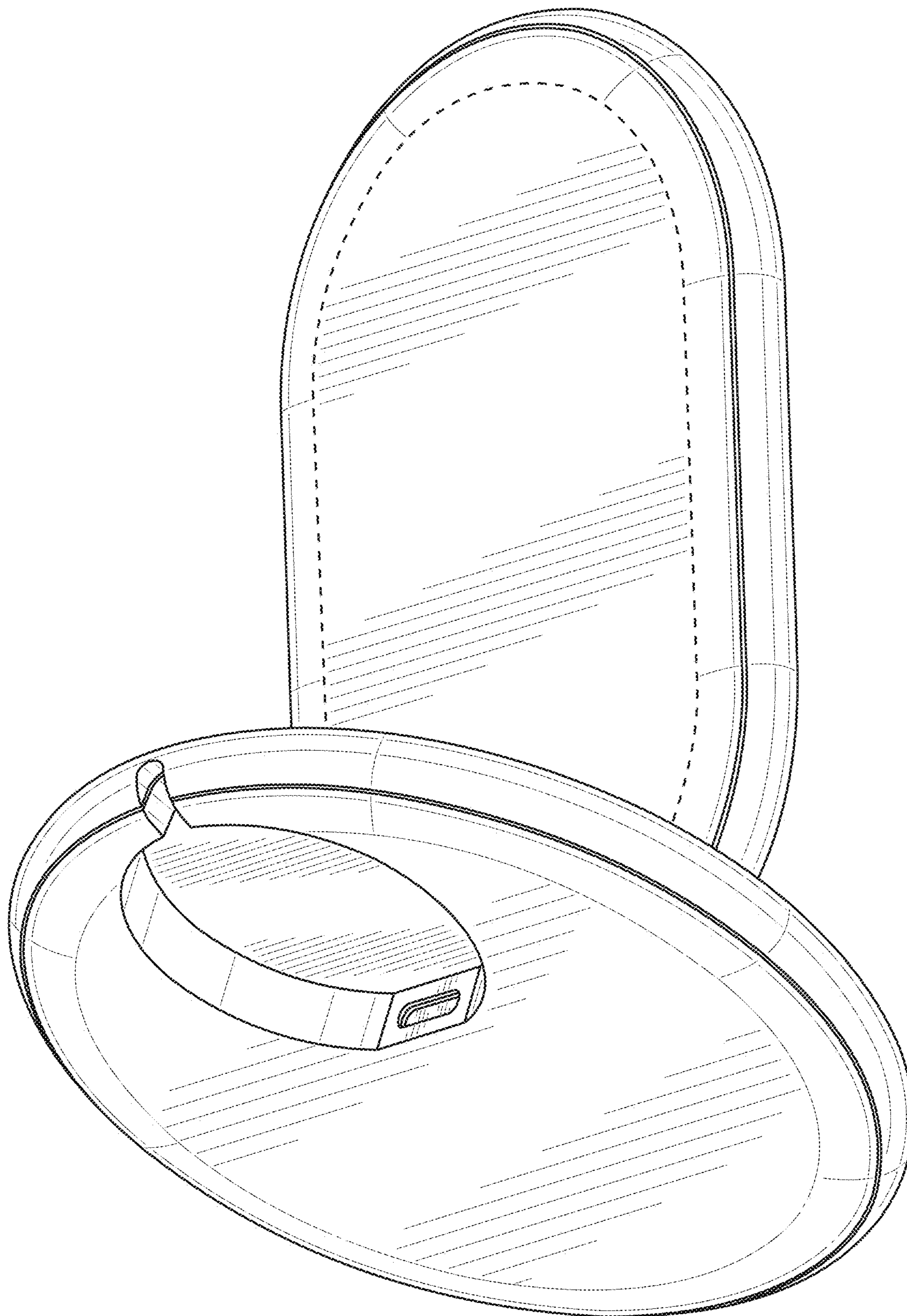


FIG. 2

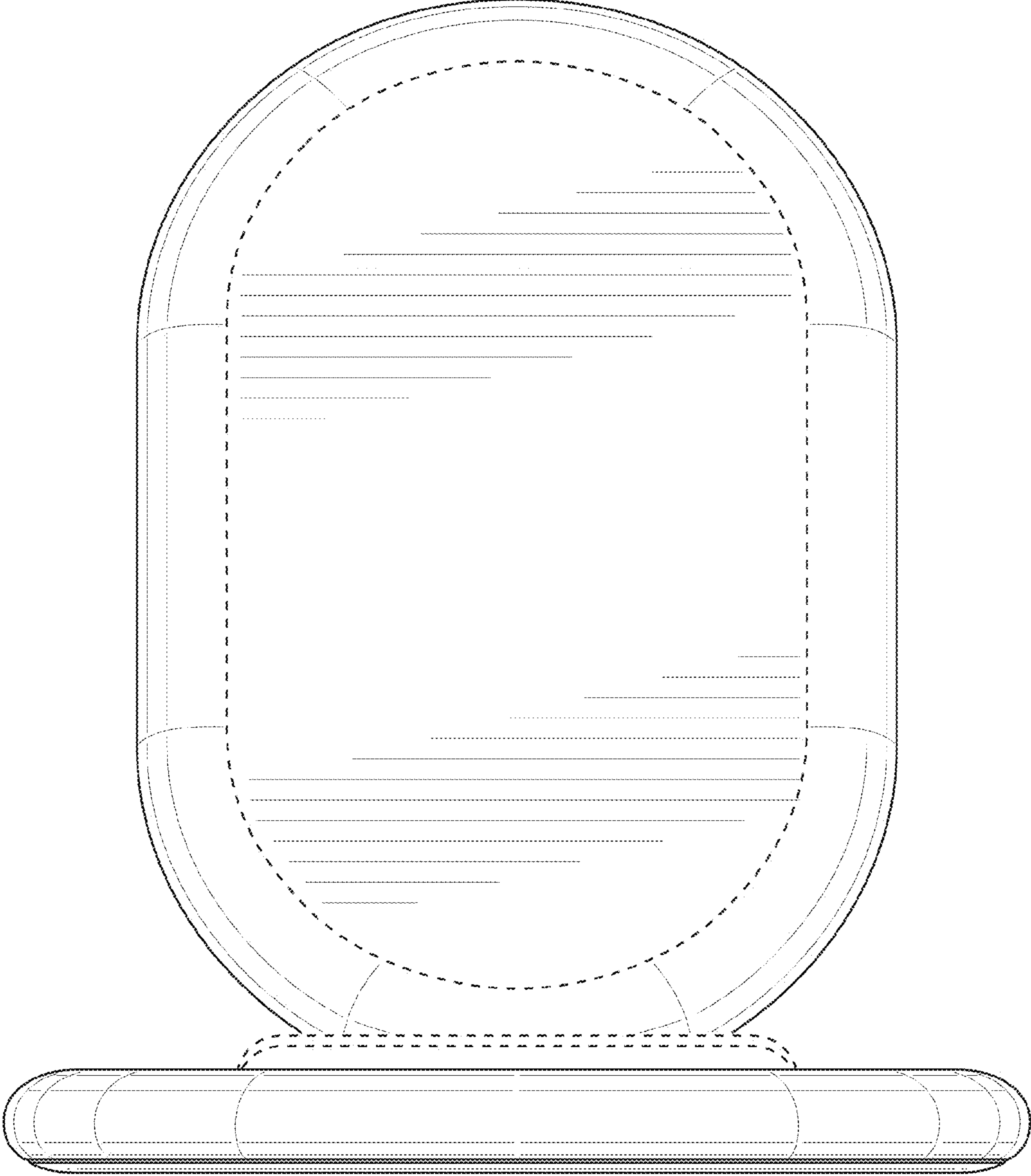


FIG. 3

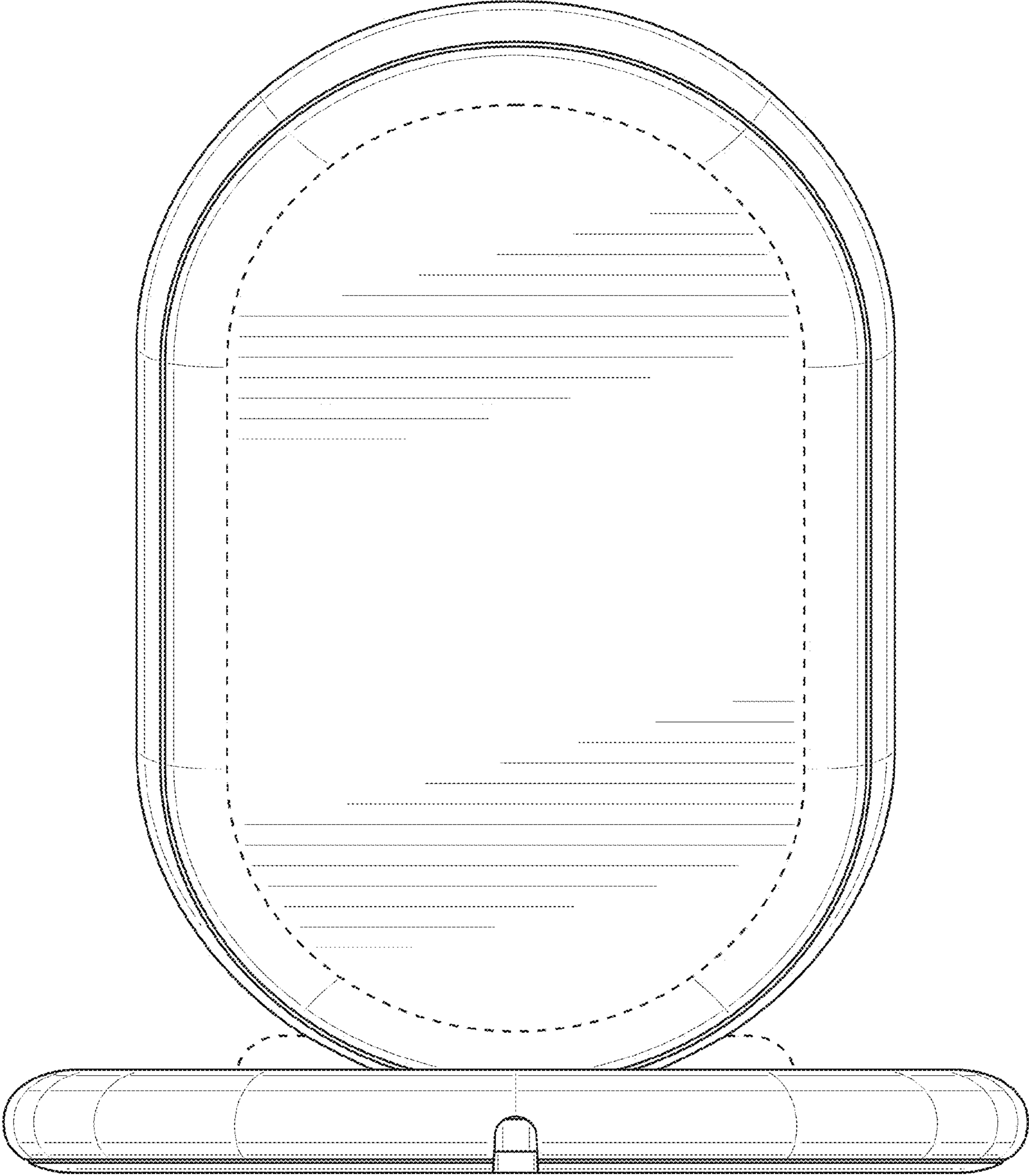


FIG. 4

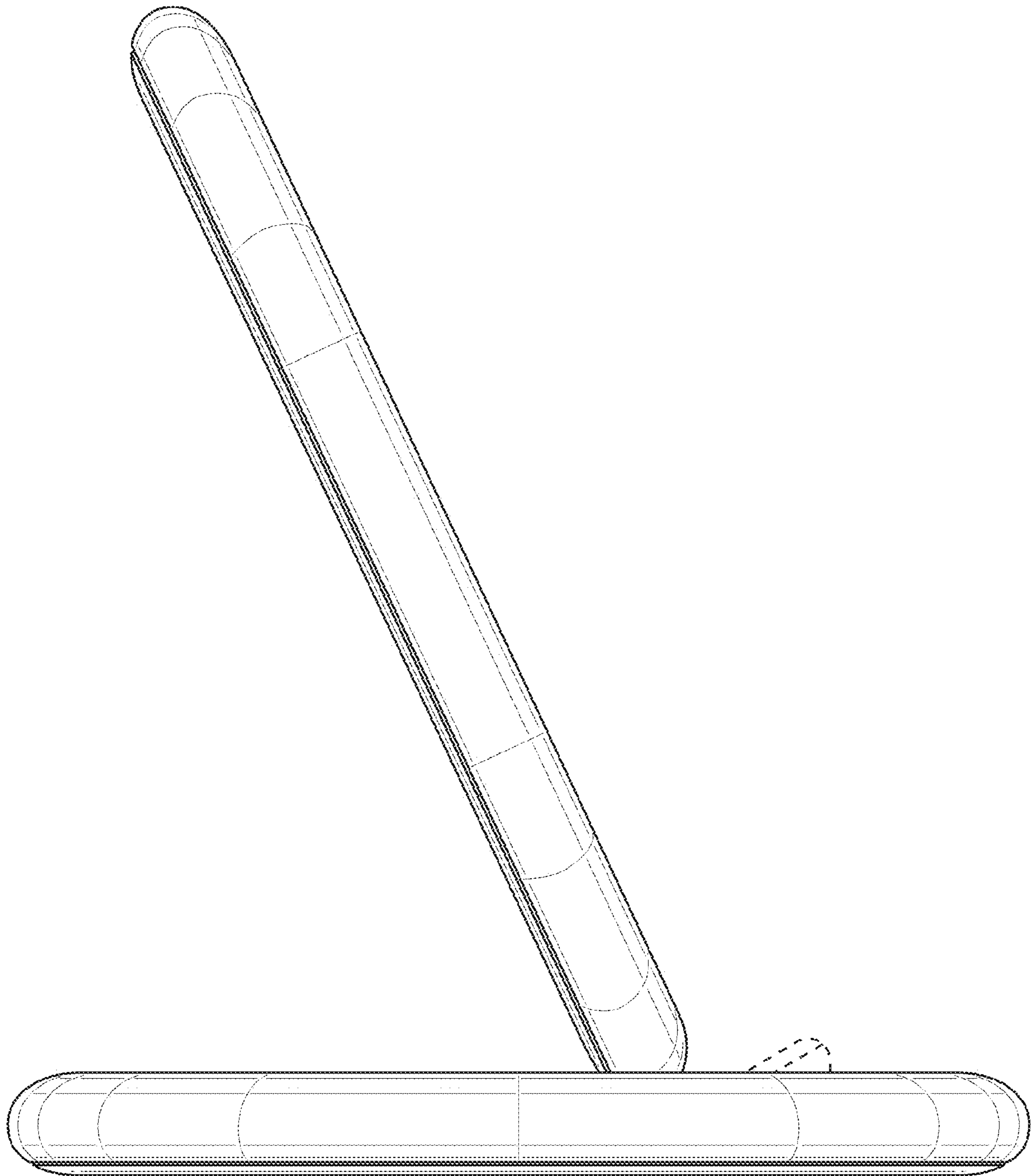


FIG. 5

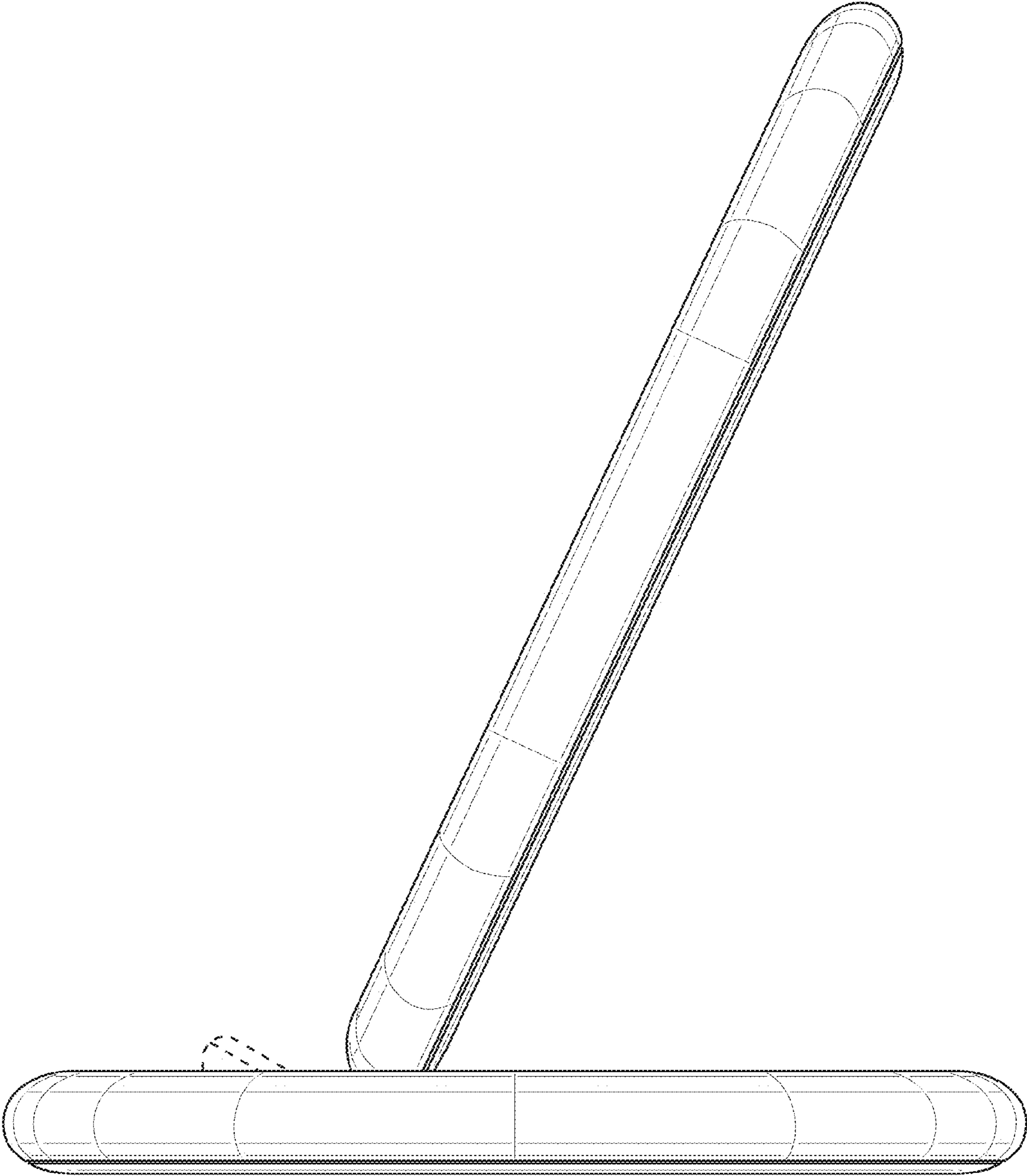


FIG. 6

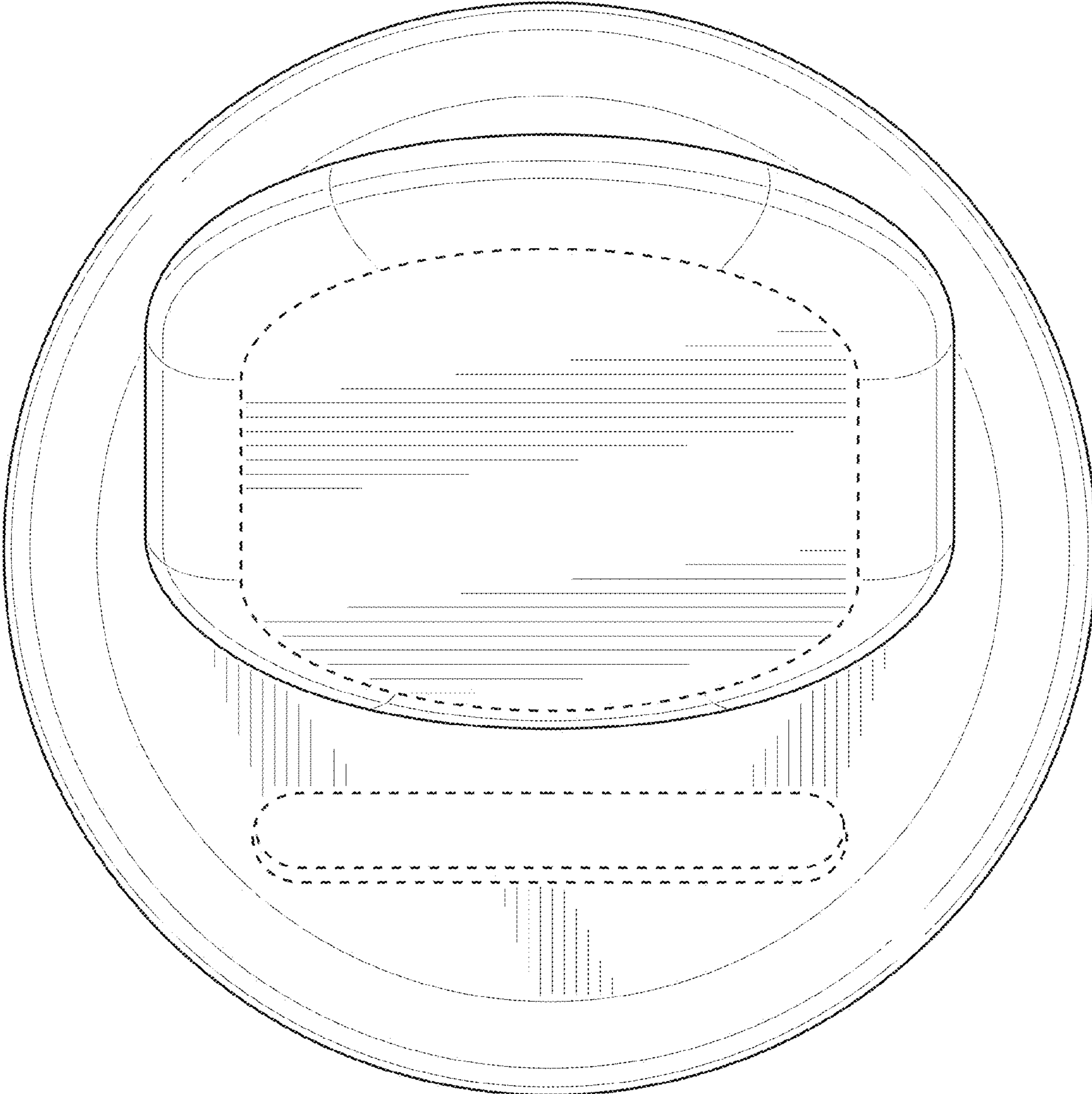


FIG. 7

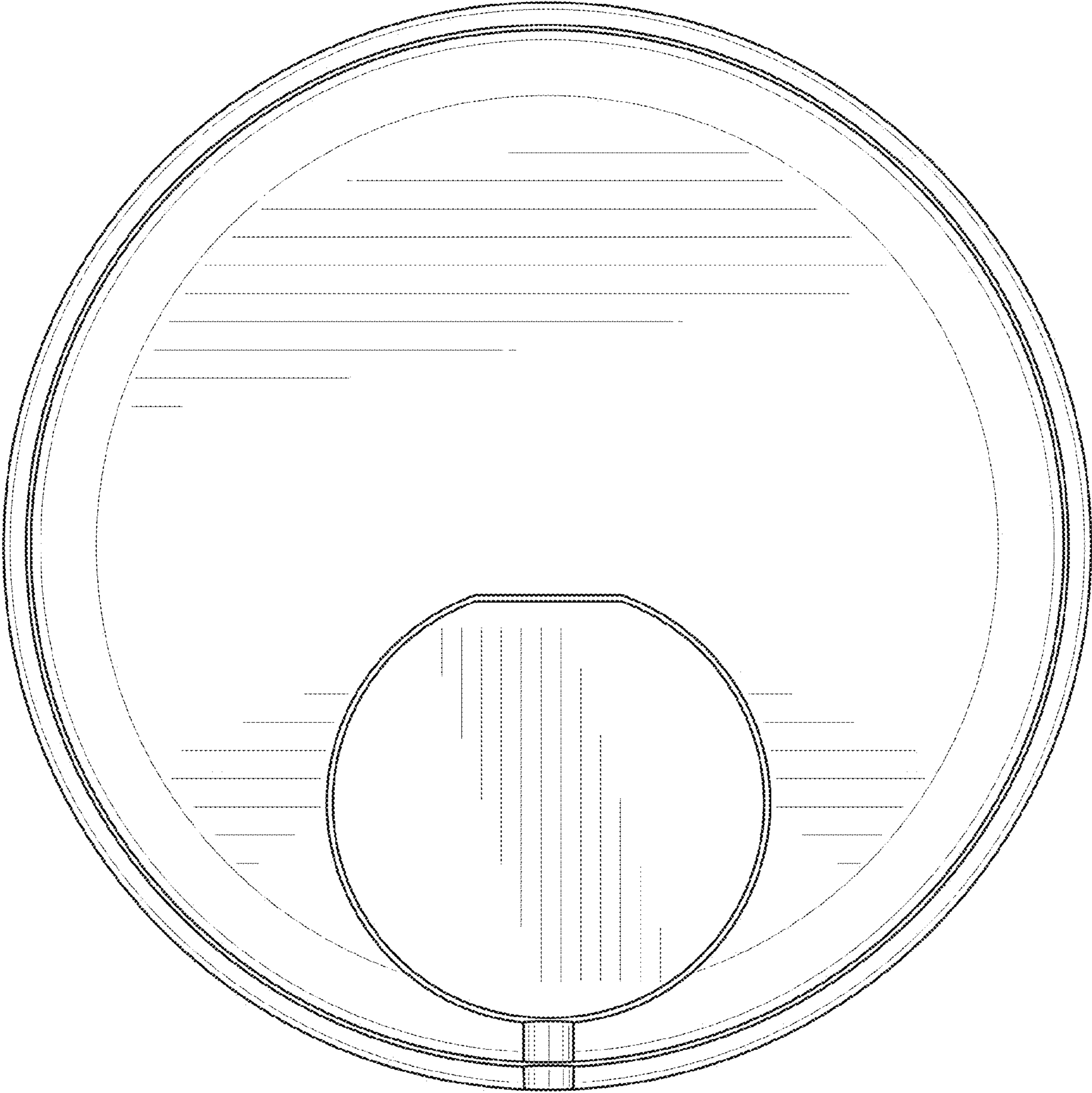


FIG. 8