



US00D884613S

(12) **United States Design Patent** (10) **Patent No.:** **US D884,613 S**
Minkyo (45) **Date of Patent:** **** May 19, 2020**

(54) **CHARGER FOR ELECTRIC VEHICLES**

H01M 10/425; B60L 11/182; B60L 11/1809; B60L 11/1861; B60R 16/03

(71) Applicant: **DAEYOUNG CHAEVI CO., LTD.**, Daegu (KR)

See application file for complete search history.

(72) Inventor: **Jung Minkyoo**, Daegu (KR)

(56) **References Cited**

(73) Assignee: **DAEYOUNG CHAEVI CO., Ltd.**, Daegu (KR)

U.S. PATENT DOCUMENTS

(**) Term: **15 Years**

(21) Appl. No.: **35/505,231**

D626,063	S	*	10/2010	Cutter	D13/107
D651,561	S	*	1/2012	Petrie	D13/107
D654,859	S	*	2/2012	Callender	D13/107
D655,242	S	*	3/2012	Holthusen	D13/107
D664,085	S	*	7/2012	Callender	D13/107
D664,918	S	*	8/2012	Brandys	D13/107
D665,733	S	*	8/2012	Petrie	D13/107
D680,952	S	*	4/2013	Henderson	D13/108
D706,213	S	*	6/2014	Titus	D13/107
9,325,182	B2	*	4/2016	Venkataraman	H02J 7/0042
9,705,346	B2	*	7/2017	Bonwit	H05K 5/02
D842,242	S	*	3/2019	Zhang	D13/107

(22) Filed: **Dec. 13, 2017**

(80) **Hague Agreement Data**

Int. Filing Date: **Dec. 13, 2017**
Int. Reg. No.: **DM/101761**
Int. Reg. Date: **Dec. 13, 2017**
Int. Reg. Pub. Date: **Jul. 6, 2018**

* cited by examiner

Primary Examiner — Nathaniel D. Buckner
(74) *Attorney, Agent, or Firm* — Lucas & Mercanti, LLP

(30) **Foreign Application Priority Data**

Jun. 13, 2017 (KR) 30-2017-0026875

(51) **LOC (12) Cl.** **13-02**

(52) **U.S. Cl.**
USPC **D13/107**

(58) **Field of Classification Search**

USPC D13/107-110, 118-119, 184; D14/251, D14/253, 432, 434
CPC Y02E 60/12; Y02T 90/14; Y02T 90/122; Y02T 90/128; Y02T 90/163; H02J 7/025; H02J 7/0042; H02J 7/0044; H02J 7/0045; H02J 7/0003; H02J 7/0027; H02J 7/0013; H02J 7/0054; H02J 7/00; H02J 2001/008; H02J 3/32; H02J 3/008; H01F 38/14; H01R 13/6675; H01M 2/1022; H01M 2/1055; H01M 10/44; H01M 10/46;

(57) **CLAIM**

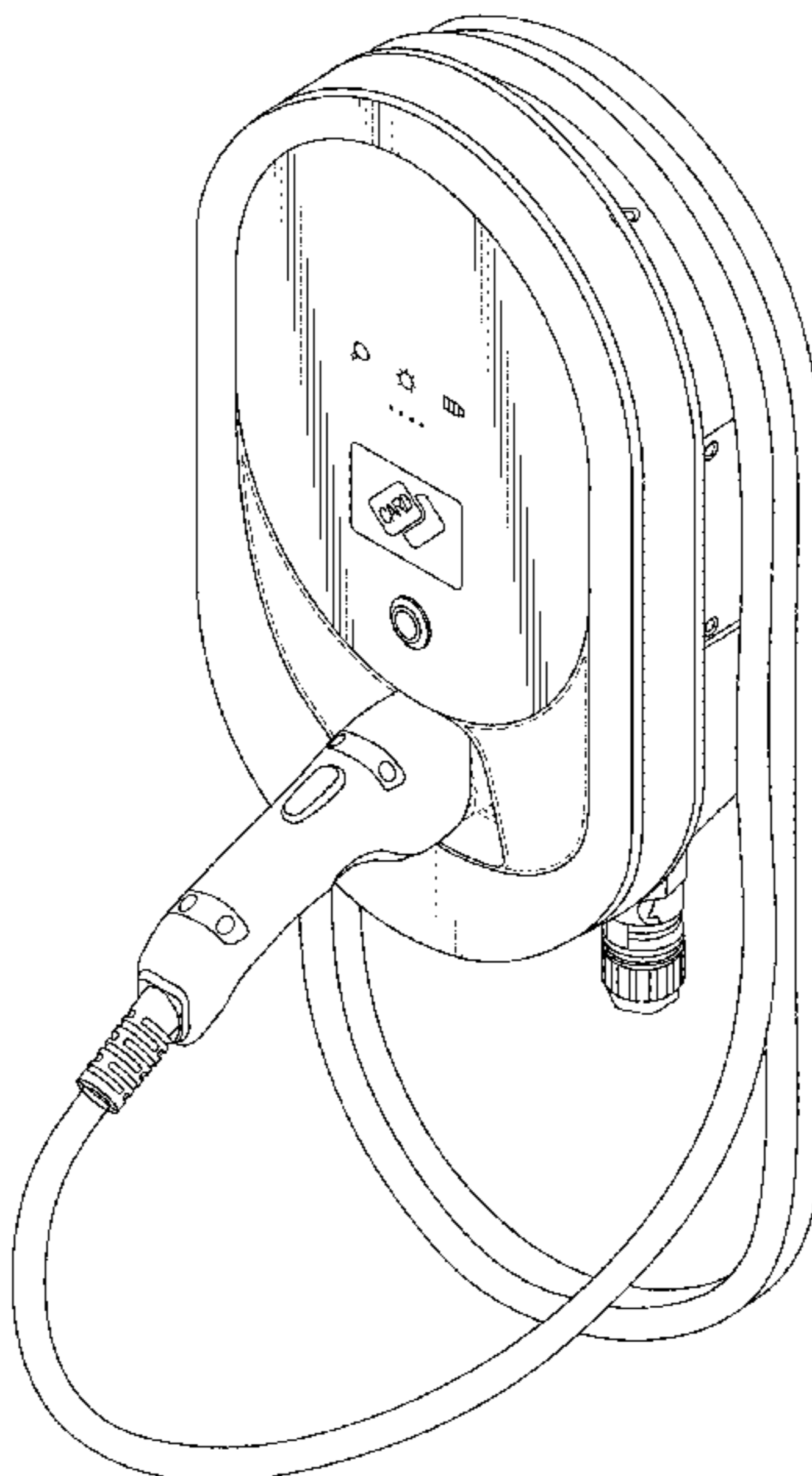
The ornamental design for a charger for electric vehicles, as shown and described.

DESCRIPTION

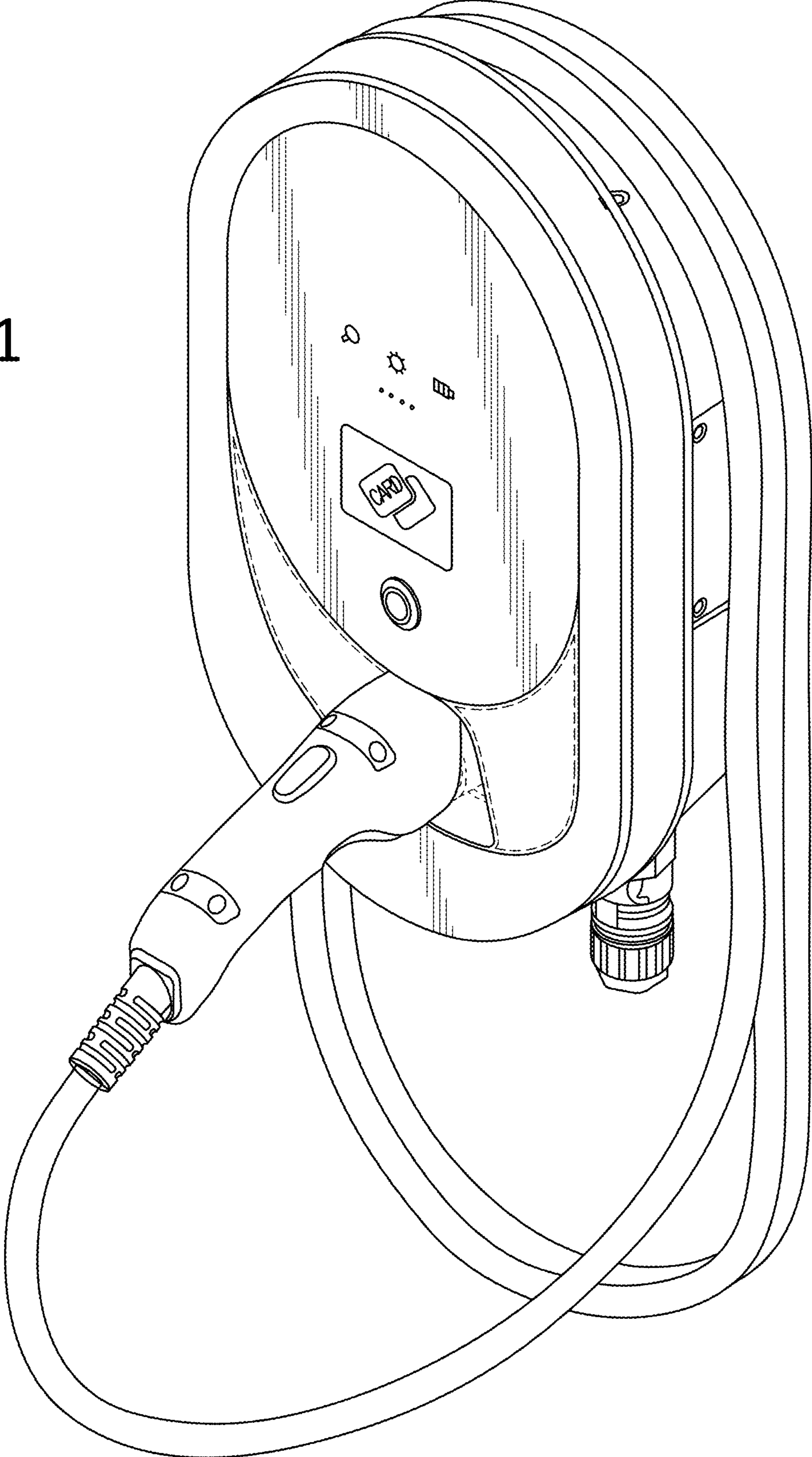
- 1. Charger for electric vehicles
- 1.1 : Perspective
- 1.2 : Front
- 1.3 : Back
- 1.4 : Top
- 1.5 : Bottom
- 1.6 : Left
- 1.7 : Right

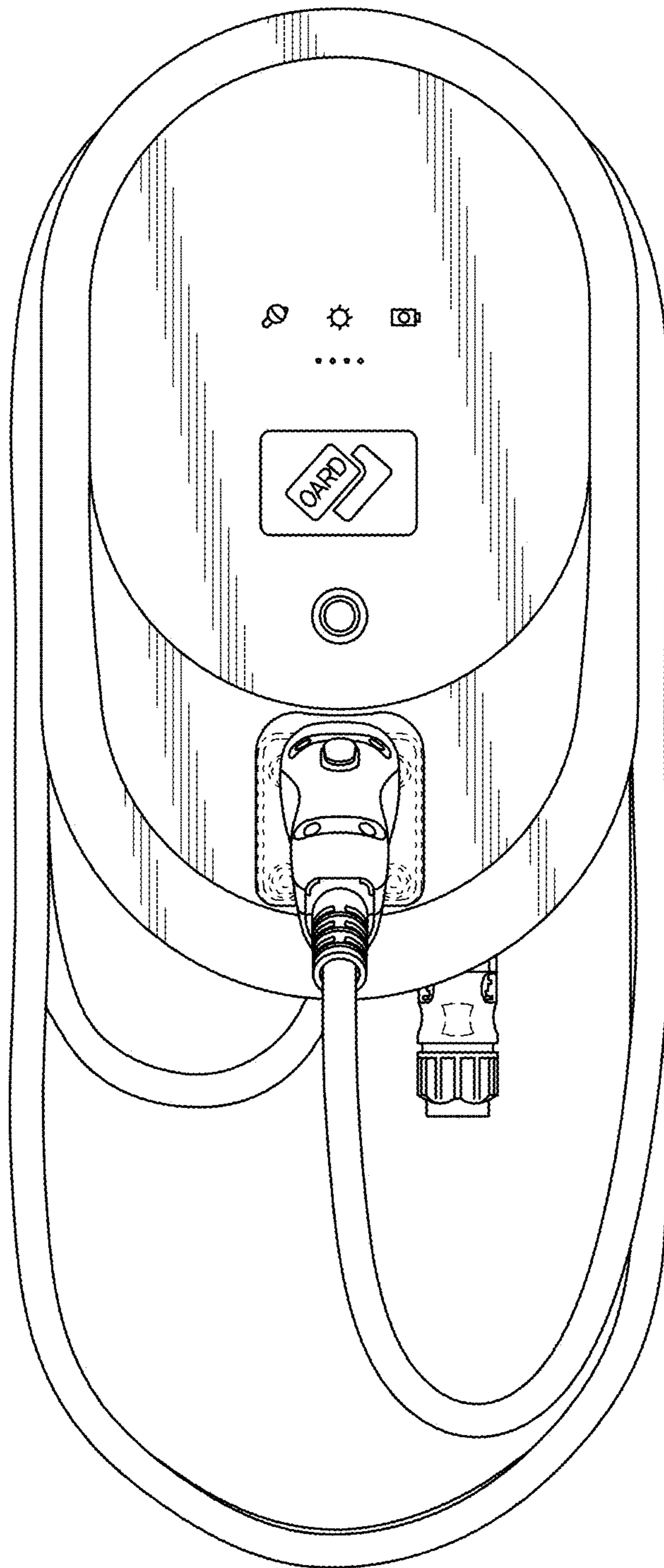
It's a charger for charging the battery of electric vehicles. The broken lines depict portions of the article which form no part of the claimed design.

1 Claim, 7 Drawing Sheets

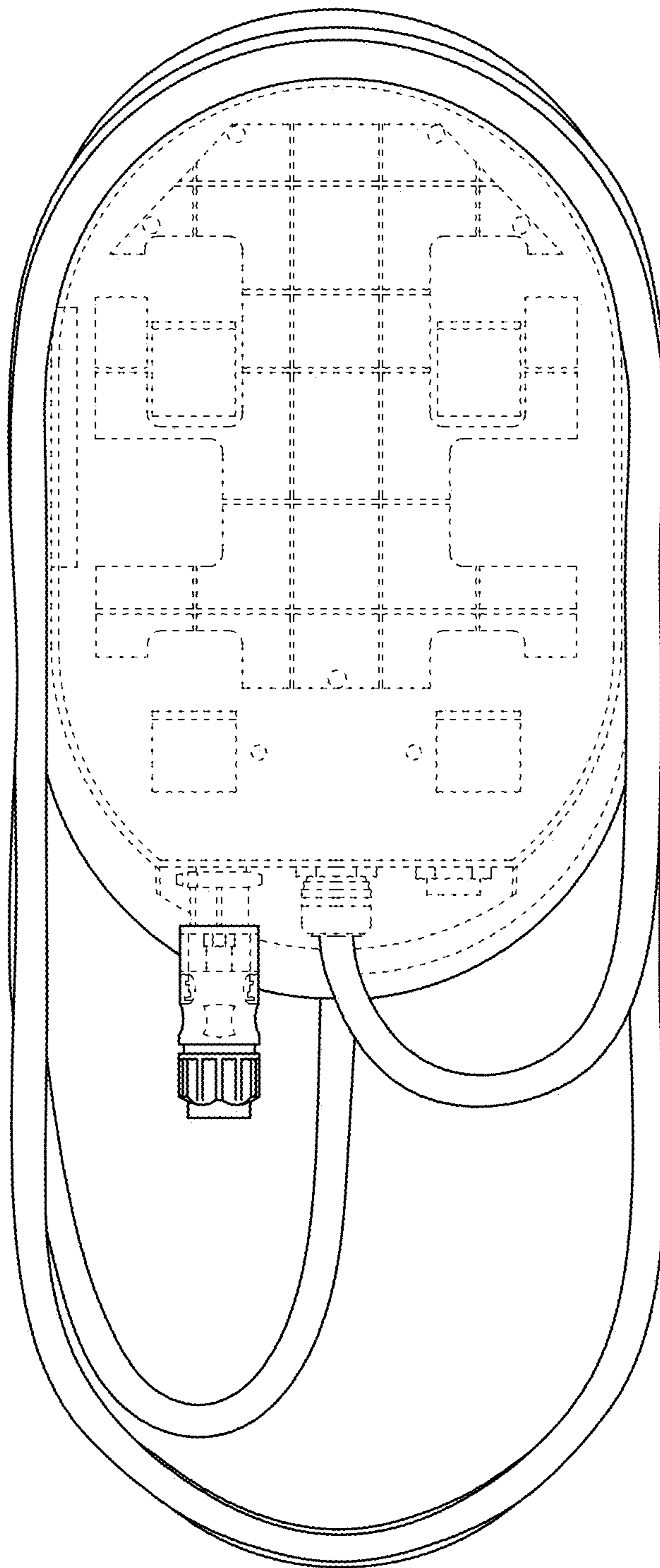


1.1

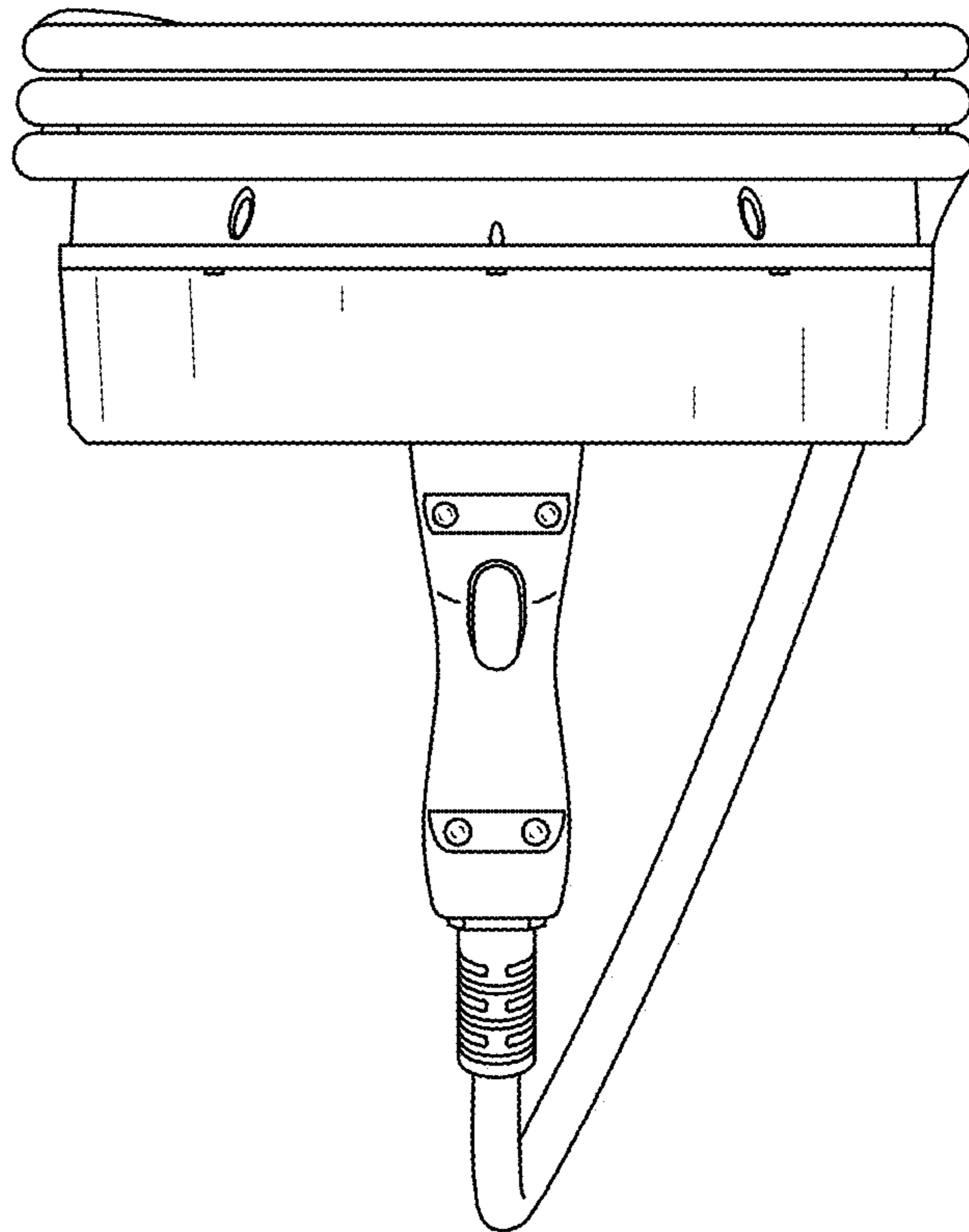




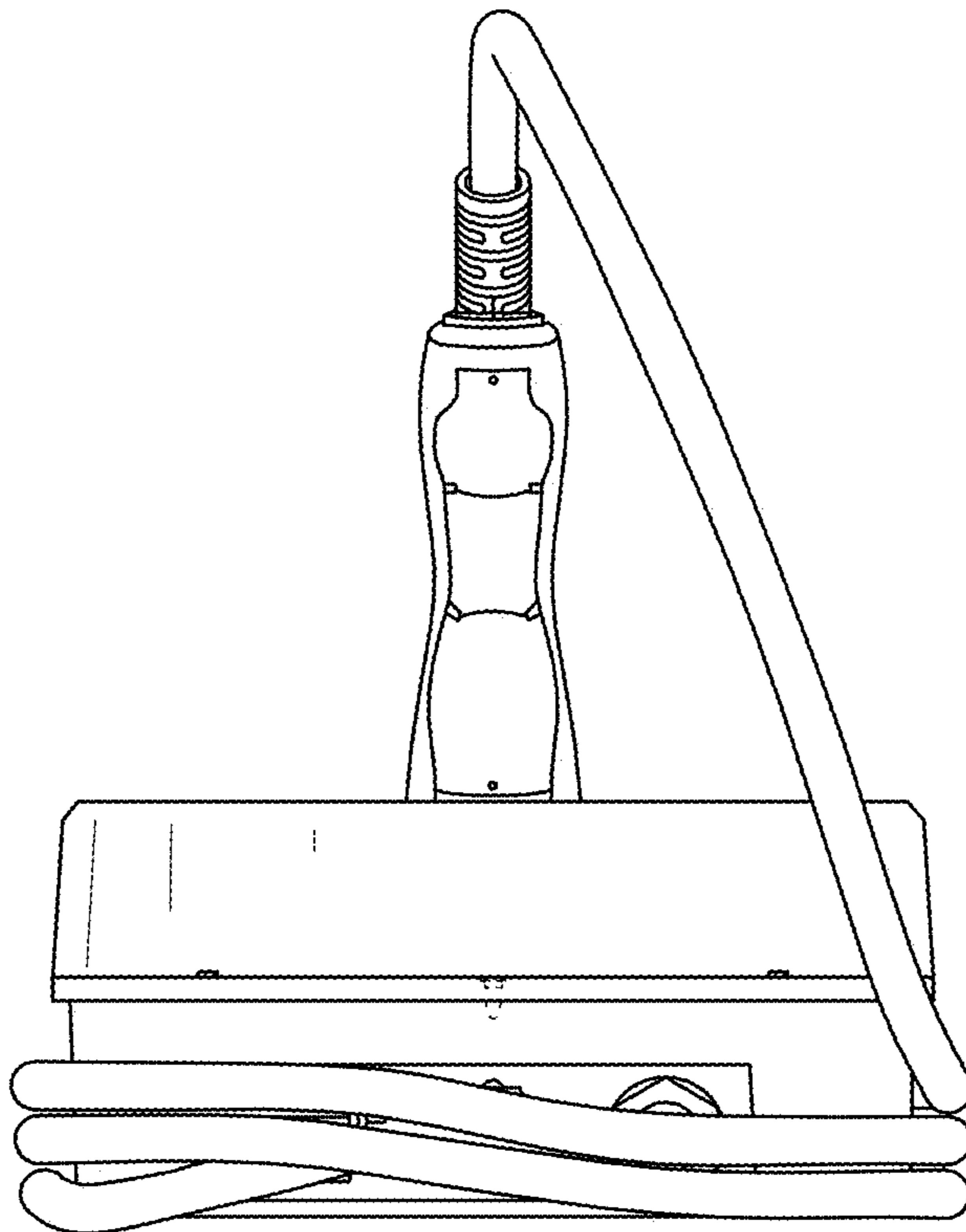
1.2



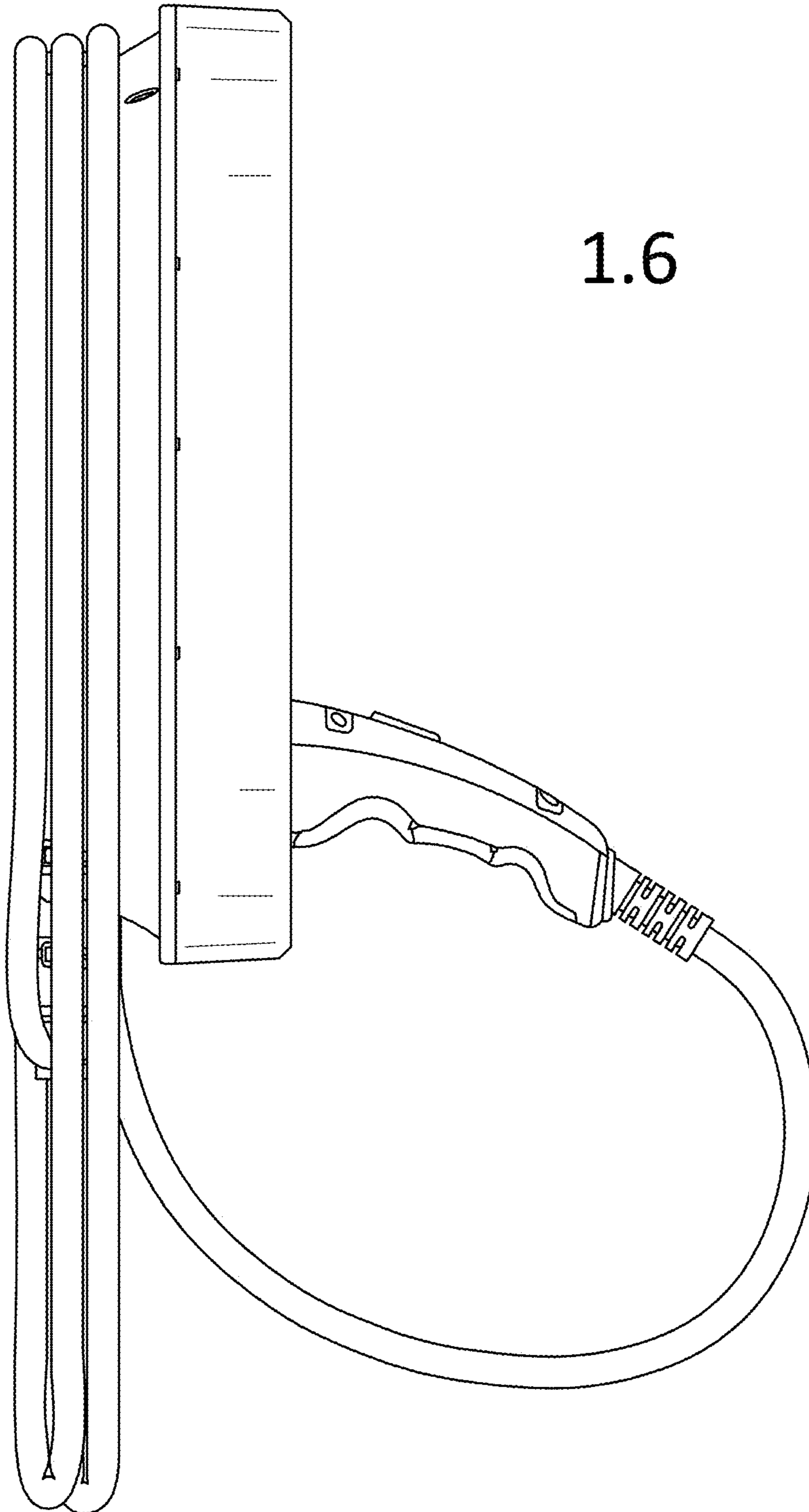
1.3



1.4



1.5



1.6

1.7

