



US00D884612S

(12) **United States Design Patent**
Lau et al.

(10) **Patent No.:** **US D884,612 S**
(45) **Date of Patent:** **** May 19, 2020**

(54) **BATTERY CHARGER**
(71) Applicant: **Delta-Q Technologies Corp.**, Burnaby (CA)

4,559,590 A 12/1985 Davidson
D287,718 S 1/1987 Moeller
D292,914 S 11/1987 Moeller
D305,115 S 12/1989 Kondo et al.
(Continued)

(72) Inventors: **Ngai Eric Lau**, Burnaby (CA);
Jonathan Eric Stroud, Surrey (CA);
James Lennox Fox, Vancouver (CA)

FOREIGN PATENT DOCUMENTS

CA 2 806 870 A1 4/2014
WO 2010/025596 3/2010

(73) Assignee: **DELTA-Q TECHNOLOGIES CORP.**, Burnaby (CA)

OTHER PUBLICATIONS

(**) Term: **15 Years**
(21) Appl. No.: **29/692,249**
(22) Filed: **May 23, 2019**

Chen et al., "Digital Control for Improved Efficiency and Reduced Harmonic Distortion Over Wide Load Range in Boost PFC Rectifiers," *IEEE Transactions on Power Electronics* 25(10):2683-2692, Oct. 2010.

(Continued)

Related U.S. Application Data

(62) Division of application No. 29/586,567, filed on Dec. 5, 2016, now Pat. No. Des. 854,497.

Primary Examiner — Nathaniel D. Buckner
(74) *Attorney, Agent, or Firm* — Seed Intellectual Property Law Group LLP

(51) **LOC (12) Cl.** **13-02**

(57) **CLAIM**

(52) **U.S. Cl.**
USPC **D13/107**

The ornamental design for a battery charger, as shown and described.

(58) **Field of Classification Search**
USPC D13/107-110, 118-119, 184; D14/251, D14/253, 432, 434
CPC Y02E 60/12; Y02T 90/14; Y02T 90/122; Y02T 90/128; Y02T 90/163; H02J 7/025; H02J 7/0042; H02J 7/0044; H02J 7/0045; H02J 7/0003; H01F 38/14; H01R 13/6675; H01M 2/1022; H01M 2/1055; H01M 10/44; H01M 10/46; H01M 10/425; B60L 11/182
See application file for complete search history.

DESCRIPTION

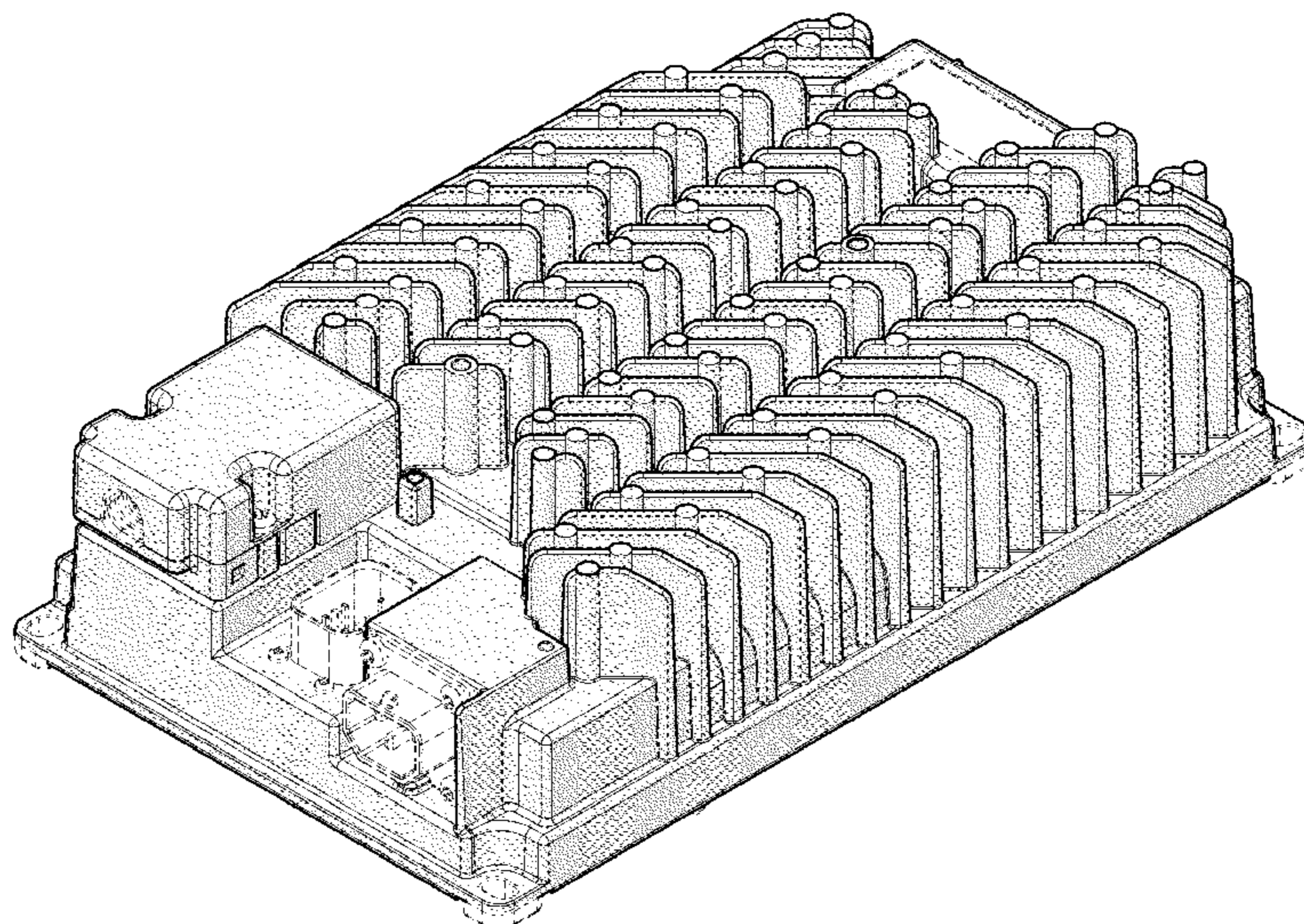
FIG. 1 is a top right-front isometric view of a battery charger showing our new design.
FIG. 2 is a bottom left-rear isometric view thereof.
FIG. 3 is a top left-rear isometric view thereof.
FIG. 4 is a bottom right-rear isometric view thereof.
FIG. 5 is a top plan view thereof.
FIG. 6 is a bottom plan view thereof.
FIG. 7 is a front elevational view thereof.
FIG. 8 is a rear elevational view thereof.
FIG. 9 is a left side elevational view thereof; and,
FIG. 10 is a right side elevational view thereof.
The broken lines in the figures depict portions of the article which form no part of the claimed design.

(56) **References Cited**

U.S. PATENT DOCUMENTS

D203,543 S 1/1966 Coe
3,938,024 A 2/1976 Clarke
4,412,277 A 10/1983 Mitchell

1 Claim, 8 Drawing Sheets



(56)

References Cited

U.S. PATENT DOCUMENTS

4,885,675 A	12/1989	Henze et al.	D677,621 S	3/2013	Beroukas et al.
5,001,620 A	3/1991	Smith	D678,852 S	3/2013	Marshall
5,034,871 A	7/1991	Okamoto et al.	D682,207 S	5/2013	Nakahira et al.
5,065,278 A	11/1991	Schultz	D682,459 S *	5/2013	Gordin D26/74
5,077,486 A	12/1991	Marson et al.	D684,130 S	6/2013	Vincent et al.
D328,057 S	7/1992	Prager et al.	D691,558 S	10/2013	Helosvouri et al.
D336,074 S	6/1993	Friend et al.	8,546,974 B2	10/2013	Foxall et al.
D338,653 S	8/1993	Morgan et al.	8,552,695 B2	10/2013	Stracquadini
D348,869 S	7/1994	Egger et al.	8,598,737 B2	12/2013	Foxall et al.
D351,134 S	10/1994	Hunziker	D698,481 S	1/2014	Wasserman et al.
5,355,300 A	10/1994	Zinn	D702,376 S	4/2014	Su
D358,753 S	5/1995	Yoshida et al.	D703,132 S	4/2014	Pearson et al.
D360,186 S	7/1995	Netz et al.	D703,181 S *	4/2014	Wilson D14/188
5,490,057 A	2/1996	Vinciarelli et al.	D705,728 S	5/2014	Choi
5,602,462 A	2/1997	Stich et al.	D706,216 S	6/2014	Perin
D378,915 S	4/1997	Widmayer et al.	8,803,489 B2	8/2014	Li et al.
D379,088 S	5/1997	Hopper	D713,336 S	9/2014	Perin
D379,799 S	6/1997	Widmayer et al.	8,861,238 B2	10/2014	Huang et al.
D381,011 S	7/1997	Widmayer et al.	8,937,469 B2	1/2015	Clark et al.
D388,399 S	12/1997	Widmayer et al.	D722,576 S *	2/2015	Zimmer D13/179
D398,589 S	9/1998	Dodson	D722,958 S	2/2015	Kotaniemi et al.
D401,216 S	11/1998	Person et al.	D726,141 S	4/2015	Wilson
D409,138 S	5/1999	Gammenthaler	D730,333 S	5/2015	Matsumoto
D409,139 S	5/1999	Cornell et al.	9,028,096 B2	5/2015	Verdes et al.
D410,652 S	6/1999	Jones et al.	D734,250 S	7/2015	Rennick
D416,873 S	11/1999	Korsunsky et al.	D734,526 S *	7/2015	Gordin D26/74
D427,146 S	6/2000	Wei	D734,532 S *	7/2015	Gordin D26/118
D427,147 S	6/2000	Wei	D739,347 S	9/2015	Huang et al.
6,076,594 A	6/2000	Kuo	D751,241 S	3/2016	Aldape
D449,587 S	10/2001	Cronin	D751,751 S	3/2016	Lockart et al.
D449,817 S	10/2001	Takeuchi et al.	D755,740 S	5/2016	Chen et al.
6,307,747 B1	10/2001	Farnsworth et al.	D761,472 S	7/2016	Zhu
6,320,772 B1	11/2001	Doyama et al.	D761,729 S	7/2016	Leong
D458,228 S	6/2002	Jacobson	D767,815 S	9/2016	Lee
6,462,966 B1	10/2002	Leung et al.	D768,585 S	10/2016	Moore et al.
6,650,559 B1	11/2003	Okamoto et al.	D770,975 S	11/2016	Nada et al.
6,671,172 B2	12/2003	Carter et al.	9,490,694 B2	11/2016	Alam
D489,682 S	5/2004	Guillarme	D793,350 S	8/2017	Kenchappa
6,736,195 B2	5/2004	Busch et al.	D796,431 S	9/2017	Lau et al.
6,809,678 B2	10/2004	Vera et al.	D801,921 S *	11/2017	Vetu D13/107
6,841,979 B2	1/2005	Berson et al.	D804,434 S	12/2017	Lu et al.
6,847,195 B2	1/2005	Chen	D805,473 S	12/2017	Montgomery et al.
6,862,201 B2	3/2005	Hodge, Jr.	D805,486 S	12/2017	Hochman et al.
D505,915 S	6/2005	Hussaini et al.	D806,647 S	1/2018	Lau et al.
D507,528 S	7/2005	Feldman et al.	D814,450 S *	4/2018	Kumazawa D14/240
D510,320 S	10/2005	Tuomola et al.	D815,592 S	4/2018	Lau et al.
7,116,090 B1	10/2006	Yang et al.	D828,294 S	9/2018	Lau et al.
7,198,094 B2	4/2007	Barsun et al.	D829,649 S	10/2018	Lau et al.
D541,743 S	5/2007	Virolainen et al.	D849,566 S *	5/2019	Klintworth D10/46
D541,744 S	5/2007	Virolainen et al.	D849,567 S *	5/2019	Klintworth D10/46
D541,745 S	5/2007	Virolainen et al.	D853,956 S *	7/2019	Lau D13/107
D546,282 S	7/2007	Wardenburg	D854,497 S *	7/2019	Lau D13/108
D551,621 S	9/2007	Iacovelli et al.	2002/0149951 A1	10/2002	Leung et al.
D559,778 S	1/2008	Tsuzuki et al.	2004/0240182 A1	12/2004	Shah
D562,765 S	2/2008	Tsuzuki et al.	2005/0061480 A1	3/2005	Carter et al.
7,365,987 B2	4/2008	Jeong	2005/0105311 A1	9/2005	Soldano
D568,841 S	5/2008	Fischer et al.	2007/0014089 A1	1/2007	Huang
D571,314 S	6/2008	Hornig	2007/0131387 A1	6/2007	Kawabata et al.
7,535,716 B2	5/2009	Fischer et al.	2007/0133233 A1	6/2007	Cameron et al.
D593,512 S	6/2009	Lin	2008/0002444 A1	1/2008	Shekhawat et al.
7,616,455 B2	11/2009	Cameron et al.	2008/0295993 A1	12/2008	Chen et al.
D606,017 S	12/2009	Charlson et al.	2010/0110593 A1	5/2010	Kim et al.
D613,258 S *	4/2010	Walker D13/179	2010/0165683 A1	7/2010	Sugawara
D621,812 S	8/2010	Wayman	2010/0259240 A1	10/2010	Cuk
D638,376 S	5/2011	Herrmann et al.	2011/0110127 A1	5/2011	Lee
7,983,043 B2	7/2011	Xu et al.	2011/0211377 A1	9/2011	Uno
D642,721 S *	8/2011	Li D26/63	2011/0286216 A1	11/2011	Araman
D651,200 S	12/2011	Sugime et al.	2011/0292703 A1	12/2011	Cuk
D652,156 S	1/2012	Li et al.	2012/0069615 A1	3/2012	Tomioaka
D661,008 S	5/2012	Yuan	2012/0249102 A1	10/2012	Cuk
D662,880 S	7/2012	Scott et al.	2012/0256606 A1	10/2012	Van Den Broeke
D664,544 S	7/2012	Yi et al.	2013/0051102 A1	2/2013	Huang et al.
D667,789 S	9/2012	O'Neil	2013/0235631 A1	9/2013	Pahlevaninezhad et al.
D672,730 S	12/2012	Lin	2014/0056045 A1	2/2014	Yan et al.
D675,622 S	2/2013	Petrack et al.	2014/0097808 A1	4/2014	Clark et al.
			2014/0268952 A1	9/2014	Tong
			2015/0171734 A1	6/2015	Yu et al.

(56)

References Cited

U.S. PATENT DOCUMENTS

2015/0263605 A1 9/2015 Alam
 2016/0056730 A1 2/2016 Yan et al.
 2016/0099660 A1 4/2016 Khaligh et al.

OTHER PUBLICATIONS

Clark, "Digital Control Techniques for Power Quality Improvements in Power Factor Correction Applications," Master's Thesis, University of British Columbia, Jul. 2012, 114 pages.

De Gussemé et al., "Digitally Controlled Boost Power-Factor-Correction Converts Operating in Both Continuous and Discontinuous Conduction Mode," *IEEE Transactions on Industrial Electronics* 52(1):88-97, Feb. 2005.

De Gussemé et al., "Input-Current Distortion of CCM Boost PFC Converts Operated in DCM" *IEEE Transactions on Industrial Electronics* 54(2):858-865, Apr. 2007.

De Gussemé et al., "Sample Correction for Digitally Controlled Boost PFC Converters Operating in both CCM and DCM," *Eighteenth Annual IEEE Applied Power Electronics Conference and Exposition* 1:389-395, Feb. 9-13, 2003.

de Souza et al., "A New ZVS-PWM Unity Power Factor Rectifier with Reduced Conduction Losses," *IEEE Transactions on Power Electronics* 10(6):746-752, Nov. 1995.

de Souza et al., "High Power Factor Rectifier with Reduced Conduction and Commutation Losses," 21st International Telecommunication Energy Conference, Copenhagen, Jun. 6-9, 1999, 5 pages.

Delta-Q Technologies Corp., "Delta-Q Technologies Introduces New Lithium-Specific Battery Charger at ProMAT 2017," published Mar. 27, 2017, retrieved from <http://www.prnewswire.com/news-releases/delta-q-technologies-introduces-new-lithium-specific-battery-charger-at-promat-2017-617167523.htm> on Jun. 1, 2017, 3 pages.

Dixon, "Average Current Mode Control of Switching Power Supplies," Unitrode Application Note U-140, pp. 3-356-3-369, 1990. (14 pages).

Dixon, "Average Current Mode Control of Switching Power Supplies—Topic 5," Unitrode Corporation, pp. 5-1-5-14, 2001. (16 pages).

Erickson et al., *Fundamentals of Power Electronics*, Second Edition, Kluwer Academic Publishers, Secaucus, NJ, 2001, 12 pages, Table of Contents.

Fairchild Semiconductor, "FAN7930: Critical Conduction Mode PFC Controller," Apr. 2010, 22 pages.

Huber et al., "Performance Evaluation of Bridgeless PFC Boost Rectifiers," *IEEE Transactions on Power Electronics* 23(3):1381-1390, May 2008.

Hwang et al., "Seamless Boost Converter Control in Critical Boundary Condition for Fuel Cell Power Conditioning System," IEEE Energy Conversion Congress and Exposition, Sep. 17-22, 2011, pp. 3641-3648.

Hwang et al., "Seamless Boost Converter Control Under the Critical Boundary Condition for a Fuel Cell Power Conditioning System," *IEEE Transactions on Power Electronics* 27(8):3616-3626, Aug. 2012.

Lau et al., "Battery Charger," U.S. Appl. No. 29/530,060, filed Jun. 12, 2015, 18 pages.

Lau et al., "Battery Charger," U.S. Appl. No. 29/535,892, filed Aug. 11, 2015, 22 pages.

Lau et al., "Battery Charger," U.S. Appl. No. 29/565,135, filed May 18, 2016, 26 pages.

Lau et al., "Battery Charger," U.S. Appl. No. 29/586,567, filed Dec. 5, 2016, 18 pages.

Liou et al., "Design and Implementation of a Boost Power Factor Correction Stage Operated in Mixed-Condition Mode," International Conference of Electric Information and Control Engineering (ICEICE), Apr. 15-17, 2011, pp. 2069-2072.

Maksimović et al., "Impact of Digital Control in Power Electronics," *Proceedings of 2004 International Symposium on Power Semiconductor Devices & ICs, Kitakyushu*, pp. 13-22, 2004.

Martinez et al., "A High-Performance Single-Phase Rectifier with Input Power Factor Correction," *IEEE Transactions on Power Electronics* 11(2):311-317, Mar. 1996.

Marvi et al., "A Fully ZVS Critical Conduction Mode Boost PFC," *IEEE Transactions on Power Electronics* 27(4):1958-1965, Apr. 2012.

Moon et al., "Accurate Mode Boundary Detection in Digitally Controlled Boost Power Factor Correction Rectifiers," IEEE Energy Conversion Congress and Exposition (ECCE), Sep. 12-16, 2010, pp. 1212-1217.

Moon et al., "Autotuning of Digitally Controlled Boost Power Factor Correction Rectifiers," *IEEE Transactions on Power Electronics* 26(10):3006-3018, Oct. 2011.

Musavi et al., "A Phase-Shifted Gating Technique With Simplified Current Sensing for the Semi-Bridgeless AC-DC Converter," *IEEE Transactions on Vehicular Technology* 62(4):1568-1576, May 2013.

Roggia et al., "Digital Control System Applied to a PFC Boost Converter Operating in Mixed Conduction Mode," Brazilian Power Electronics Conference (COBEP), Sep. 2-Oct. 1, 2009, pp. 698-704.

Salmon, "Circuit topologies for pwm boost rectifiers operated from 1-phase and 3-phase ac supplies and using either single or split dc rail voltage outputs," 10th Annual Applied Power Electronics Conference and Exposition, Dallas, TX, Mar. 5-9, 1995, vol. 1, pp. 473-479.

Salmon, "Circuit Topologies for Single-Phase Voltage-Doubler Boost Rectifiers," *IEEE Transactions on Power Electronics* 8(4):521-529, Oct. 1993.

Sebastián et al., "The Determination of the Boundaries Between Continuous and Discontinuous Conduction Modes in PWM DC-to-DC Converters Used as Power Factor Preregulators," *IEEE Transactions on Power Electronics* 10(5):574-582, Sep. 1995.

Su et al., "An Interleaved Totem-Pole Boost Bridgeless Rectifier With Reduced Reverse-Recovery Problems for Power Factor Correction," *IEEE Transactions on Power Electronics* 25(6):1406-1415, Jun. 2010.

Tollik et al., "Comparative Analysis of 1-Phase Active Power Factor Correction Topologies," 14th International Telecommunications Energy Conference, Washington, DC, Oct. 4-8, 1992, pp. 517-523.

Tsai et al., "A Family of Zero-Voltage-Transition Bridgeless Power-Factor-Correction Circuits With a Zero-Current-Switching Auxiliary Switch," *IEEE Transactions on Industrial Electronics* 58(5):1848-1855, May 2011.

Van de Sype et al., "Duty-Ratio Feedforward for Digitally Controlled Boost PFC Converters," *IEEE Transactions on Industrial Electronics* 52(1):108-115, Feb. 2005.

Wang, "A New Single-Phase ZCS-PWM Boost Rectifier With High Power Factor and Low Conduction Losses," *IEEE Transactions on Industrial Electronics* 53(2):500-510, Apr. 2006.

* cited by examiner

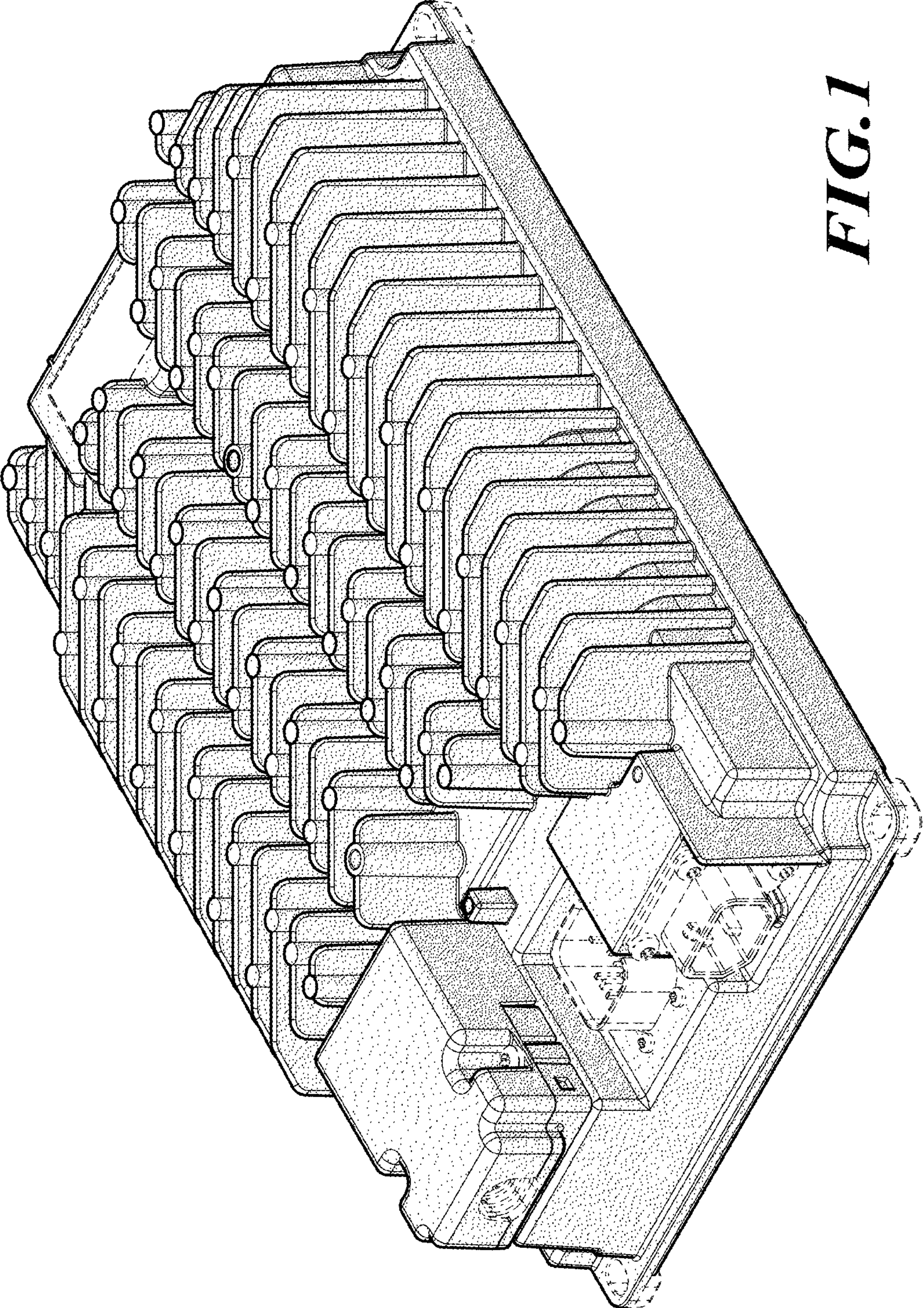


FIG. 1

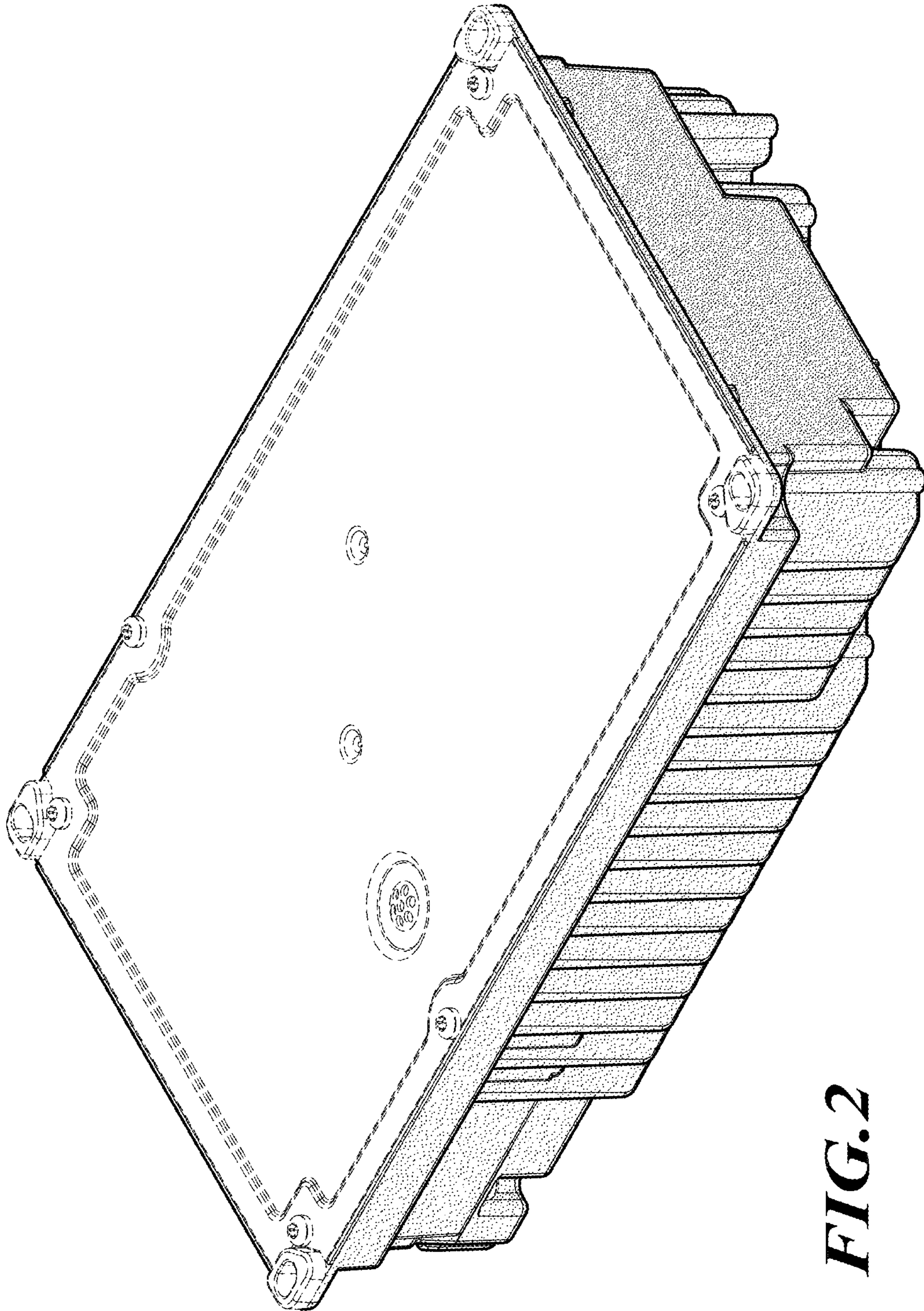


FIG. 2

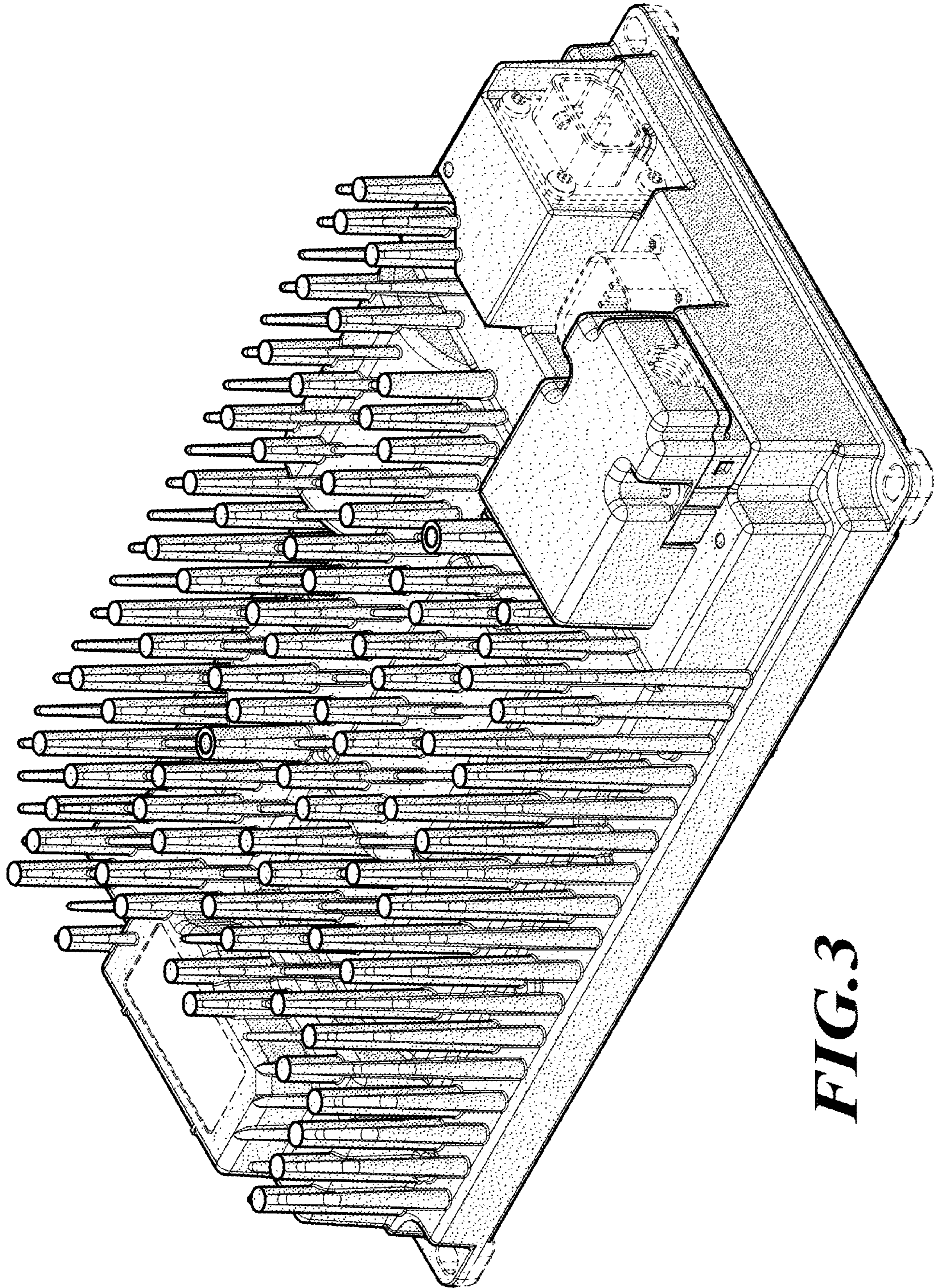


FIG. 3

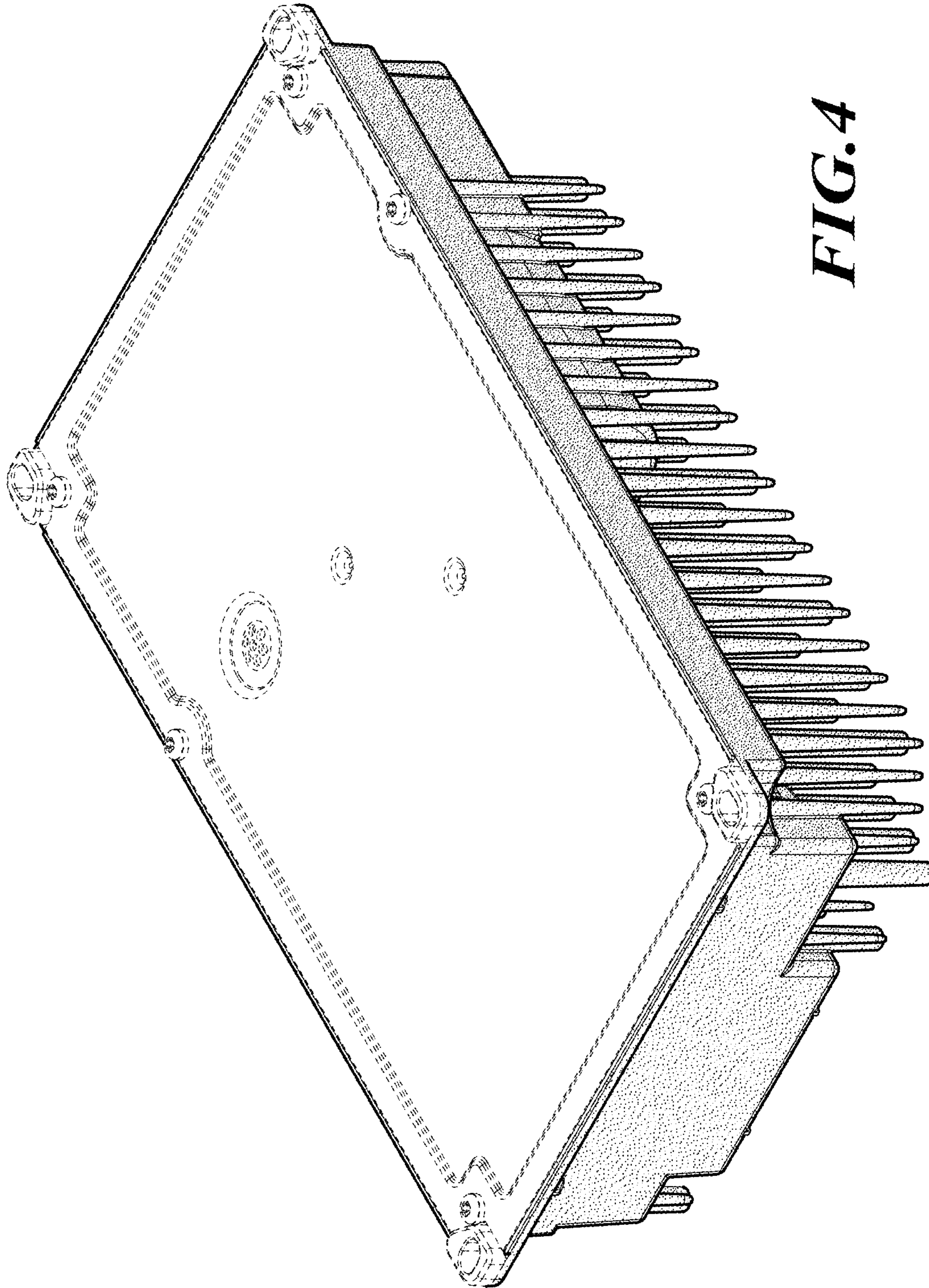


FIG. 4

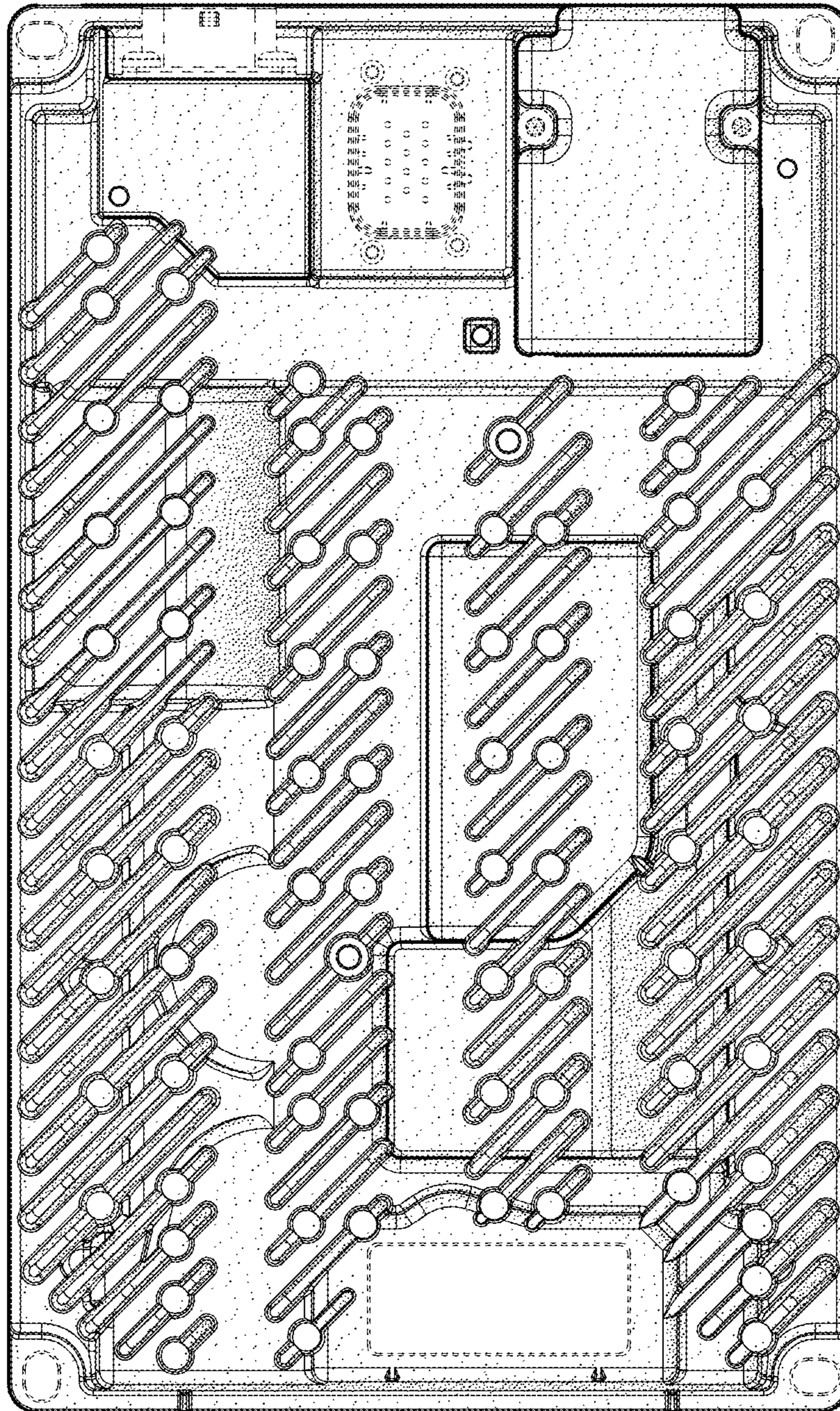


FIG. 5

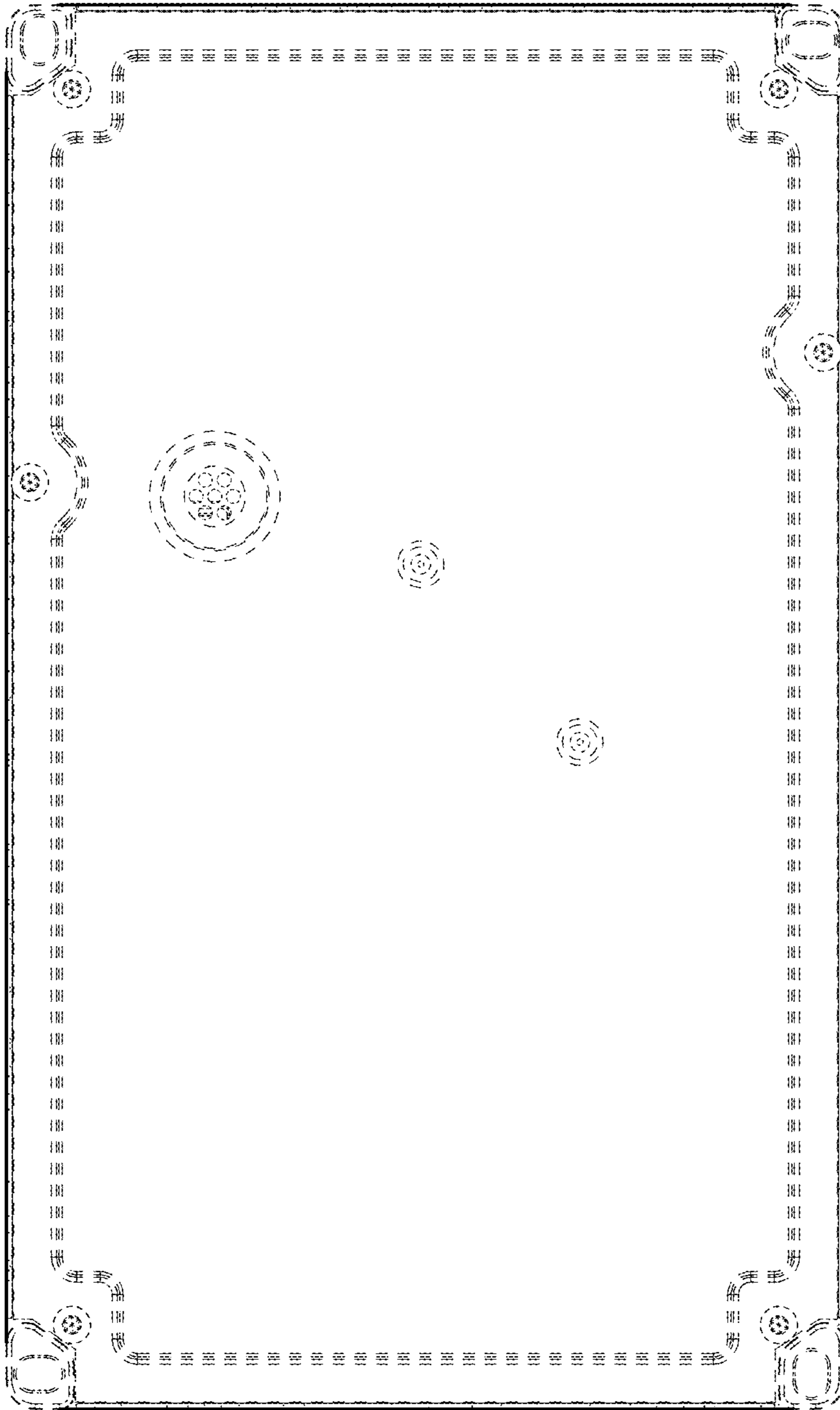


FIG. 6

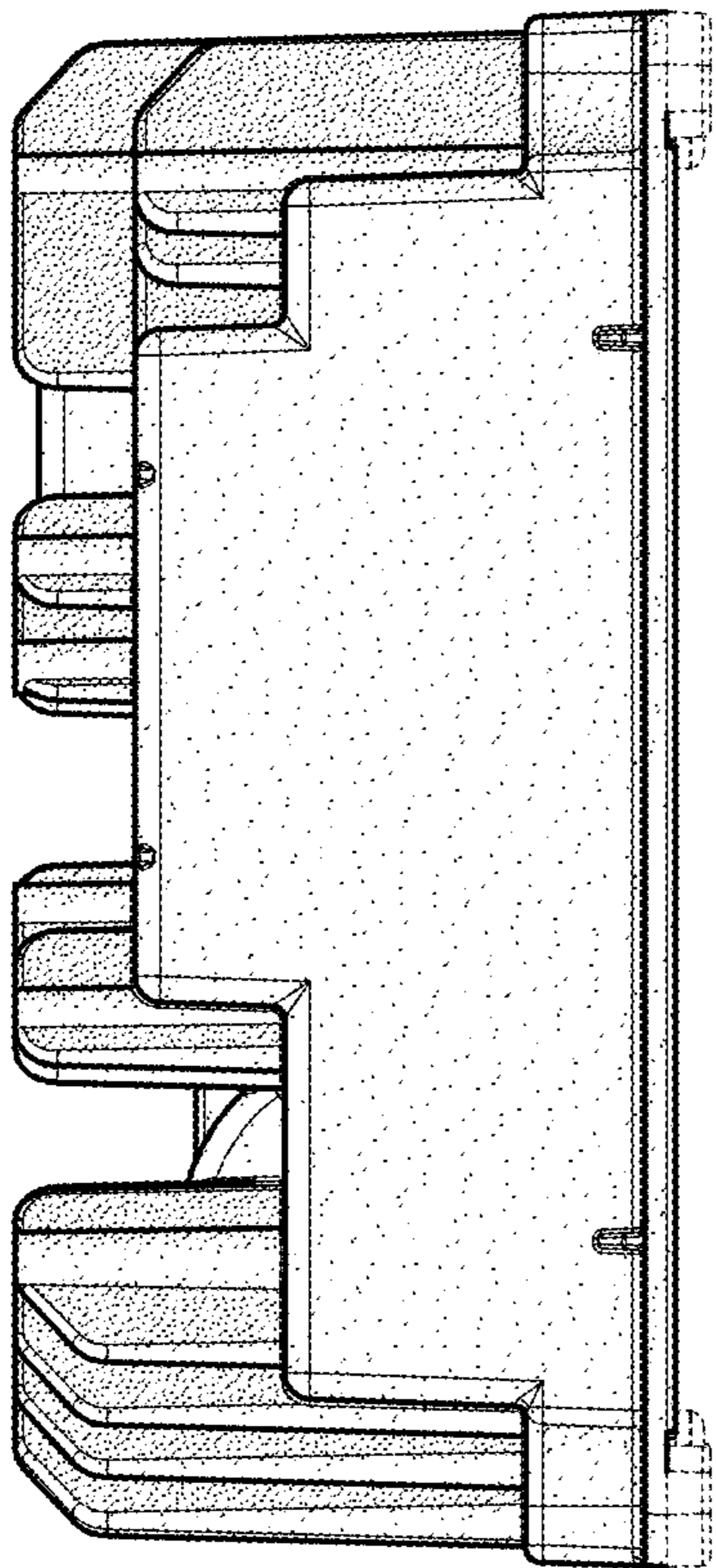


FIG. 7

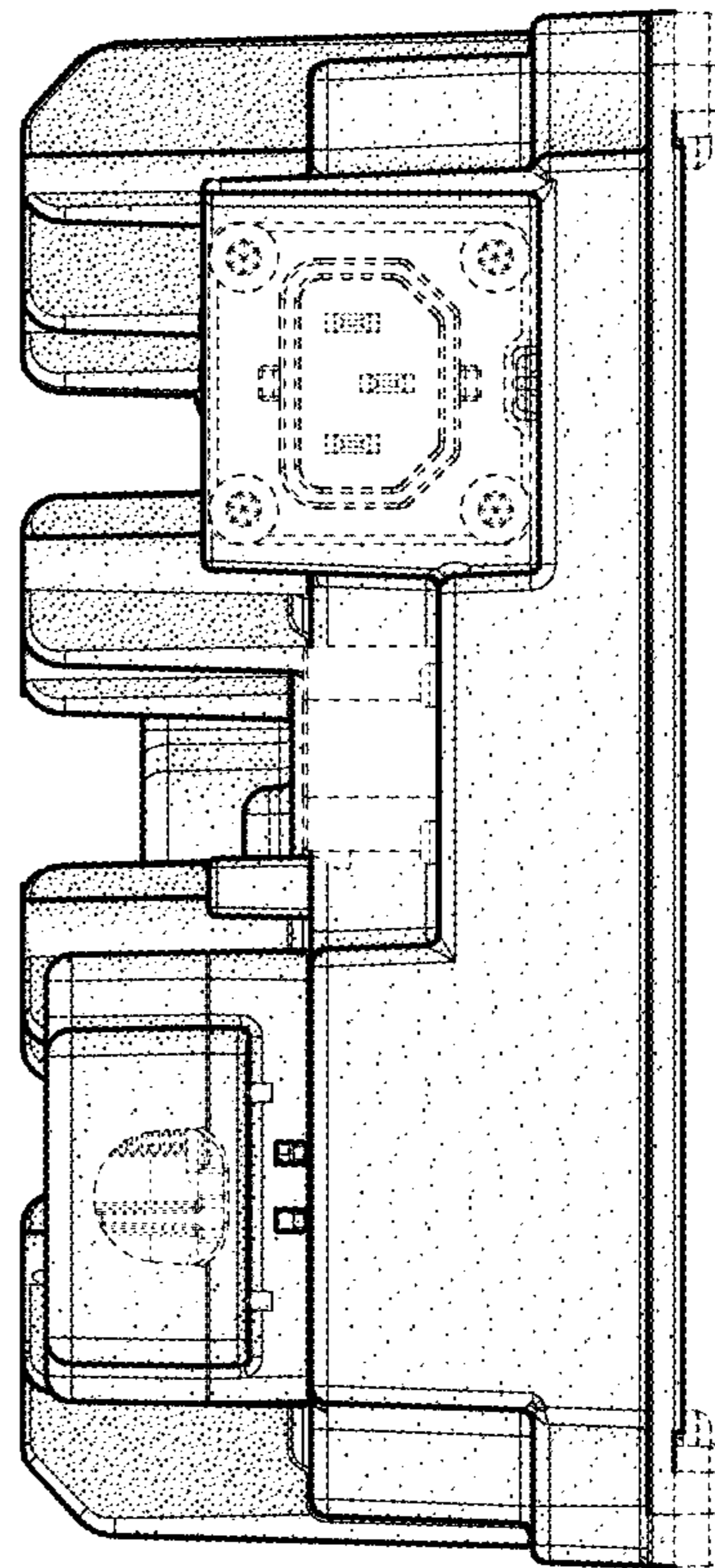


FIG. 8

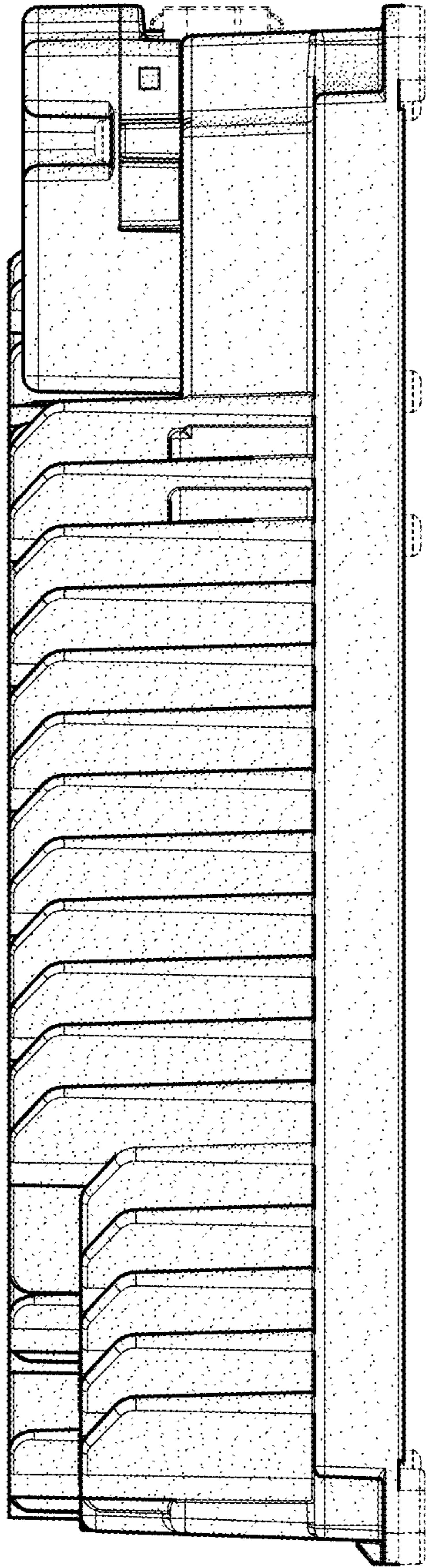


FIG. 9

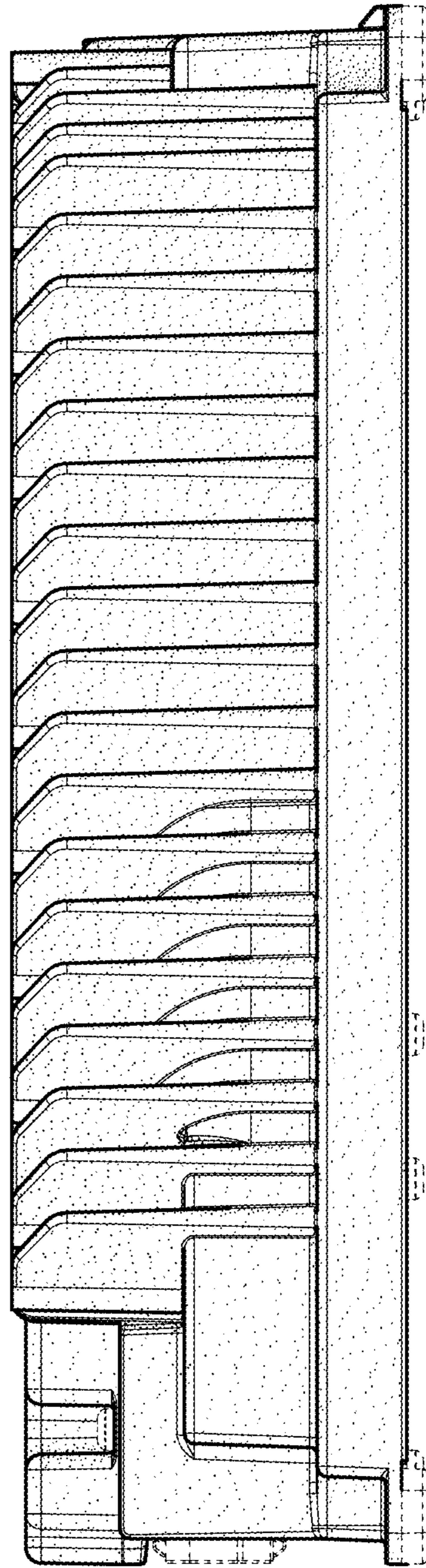


FIG. 10