



US00D884611S

(12) **United States Design Patent**
Baxter et al.

(10) **Patent No.:** **US D884,611 S**

(45) **Date of Patent:** **** May 19, 2020**

(54) **POWER MODULE**

(71) Applicant: **ChargePoint, Inc.**, Campbell, CA (US)

(72) Inventors: **David Baxter**, Monte Sereno, CA (US);
Darren Chin-Ho Kim, Oakland, CA (US);
Peter H. Muller, Portland, OR (US);
Pasquale Romano, Los Gatos, CA (US);
Price B. Terzis, Los Altos Hills, CA (US)

(73) Assignee: **CHARGEPOINT, INC.**, Campbell, CA (US)

(**) Term: **15 Years**

(21) Appl. No.: **29/675,422**

(22) Filed: **Jan. 1, 2019**

Related U.S. Application Data

(62) Division of application No. 29/589,815, filed on Jan. 4, 2017, now Pat. No. Des. 837,147.

(51) **LOC (12) Cl.** **13-02**

(52) **U.S. Cl.**
USPC **D13/107; D13/103**

(58) **Field of Classification Search**
USPC D13/102–110, 118–119, 184, 199;
D14/356, 432
CPC Y02E 60/10; Y02E 60/12; Y02E 60/122;
Y02E 60/124; Y02E 60/50; H01M 2/02;
H01M 2/022; H01M 2/0202; H01M
2/0207;

(Continued)

(56) **References Cited**

U.S. PATENT DOCUMENTS

D483,725 S * 12/2003 Thompson D13/184
D550,613 S * 9/2007 Hamasaki D13/103

(Continued)

Primary Examiner — Nathaniel D. Buckner

(74) *Attorney, Agent, or Firm* — Nicholson De Vos
Webster & Elliott LLP

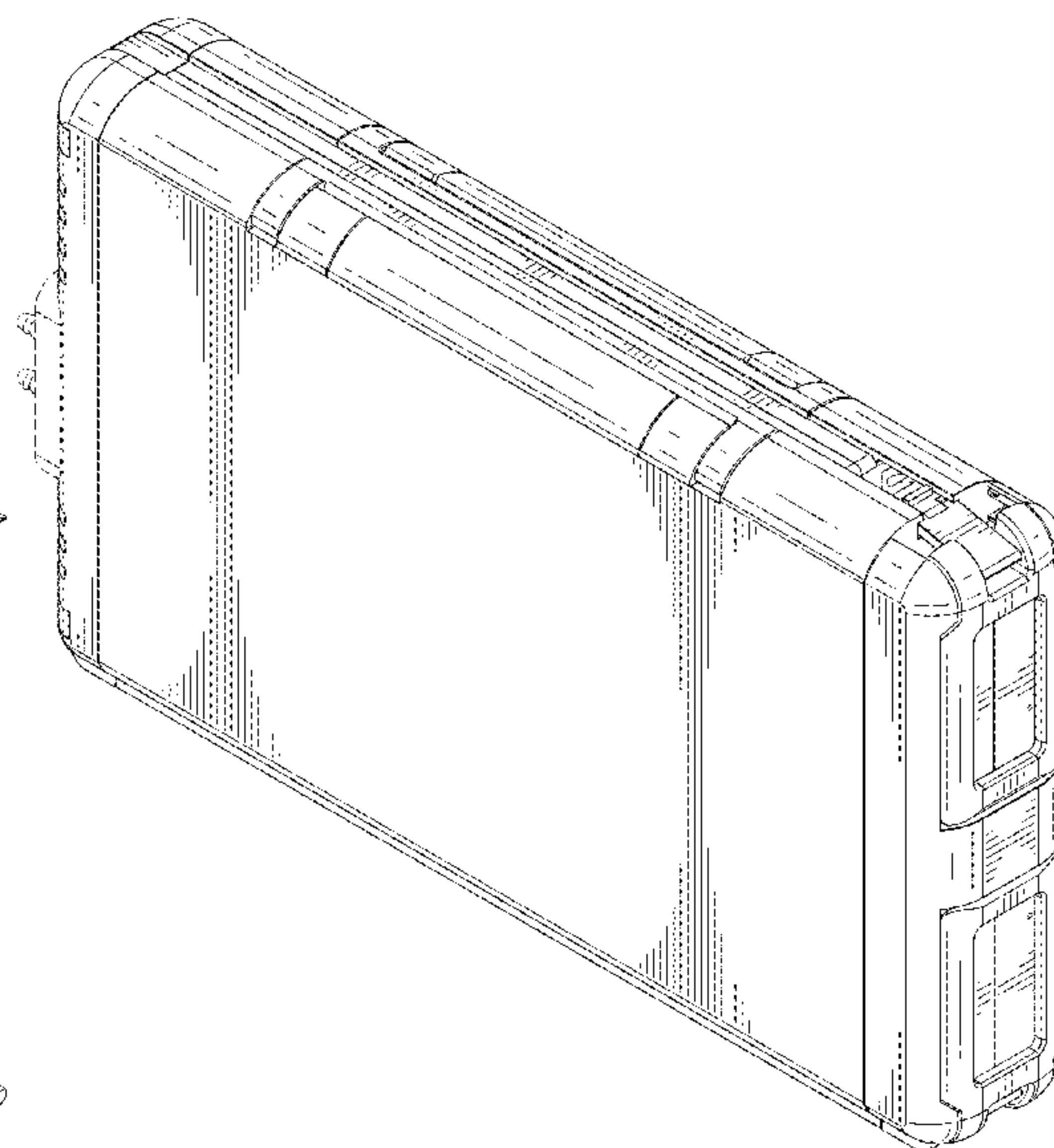
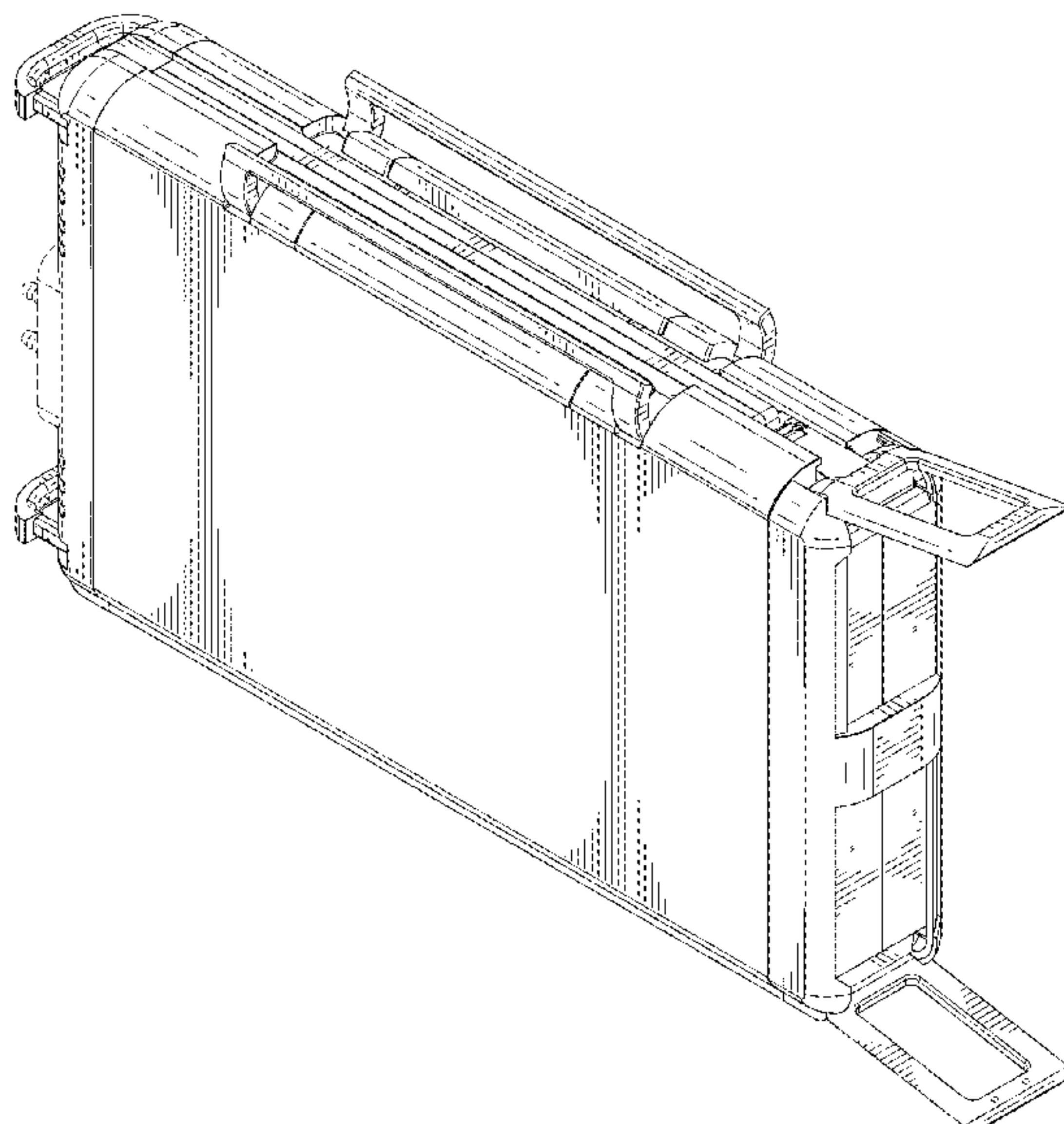
(57) **CLAIM**

The ornamental design for a power module, as shown and described.

DESCRIPTION

FIG. 1 shows a front perspective view of a power module showing our new design in an open configuration; FIG. 2 shows a front view of the power module of FIG. 1; FIG. 3 shows a back view of the power module of FIG. 1; FIG. 4 shows a right view of the power module of FIG. 1; FIG. 5 shows a left view of the power module of FIG. 1; FIG. 6 shows a top view of the power module of FIG. 1; FIG. 7 shows a bottom view of the power module of FIG. 1; FIG. 8 shows a rear perspective view of the power module of FIG. 1; FIG. 9 is a front perspective view of the power module of FIG. 1, shown in a dosed position; FIG. 10 shows a front view of the power module of FIG. 9; FIG. 11 shows a back view of the power module of FIG. 9; FIG. 12 shows a right view of the power module of FIG. 9; FIG. 13 shows a left view of the power module of FIG. 9; FIG. 14 shows a top view of the power module of FIG. 9; FIG. 15 shows a bottom view of the power module of FIG. 9; and, FIG. 16 shows a rear perspective view of the power module of FIG. 9. The broken lines illustrate environmental structure and form no part of the claimed design.

1 Claim, 12 Drawing Sheets



(58) **Field of Classification Search**

CPC H01M 2/0212; H01M 2/1061; H01M
2/1022; H01M 2/1055; H01M 2/1066;
H01M 2/105; H01M 2/20; H01M 2/204;
H01M 2/206; H01M 10/44; H01M 10/46;
H01M 10/465; H01M 10/482; H01M
2200/30; H01M 2250/30; H01M 2250/40;
H02J 7/00; H02J 7/0003; H02J 7/0011;
H02J 7/0013; H02J 7/0054; H02J 7/0055;
H02J 7/0057; H02J 2007/0062

See application file for complete search history.

(56) **References Cited**

U.S. PATENT DOCUMENTS

D554,584	S	*	11/2007	Feldman	D13/110
D632,643	S	*	2/2011	Tanaka	D13/103
D643,363	S	*	8/2011	Wigmore	D13/102
D651,564	S	*	1/2012	Workman	D13/108
D659,088	S	*	5/2012	Steinberg	D13/106
D688,200	S	*	8/2013	Shin	D13/107
D760,164	S	*	6/2016	Aida	D13/110
D786,790	S	*	5/2017	Miller	D13/108
D797,662	S	*	9/2017	Constin	D13/103
D837,147	S	*	1/2019	Baxter	D13/108
D838,669	S	*	1/2019	Miller	D13/108

* cited by examiner

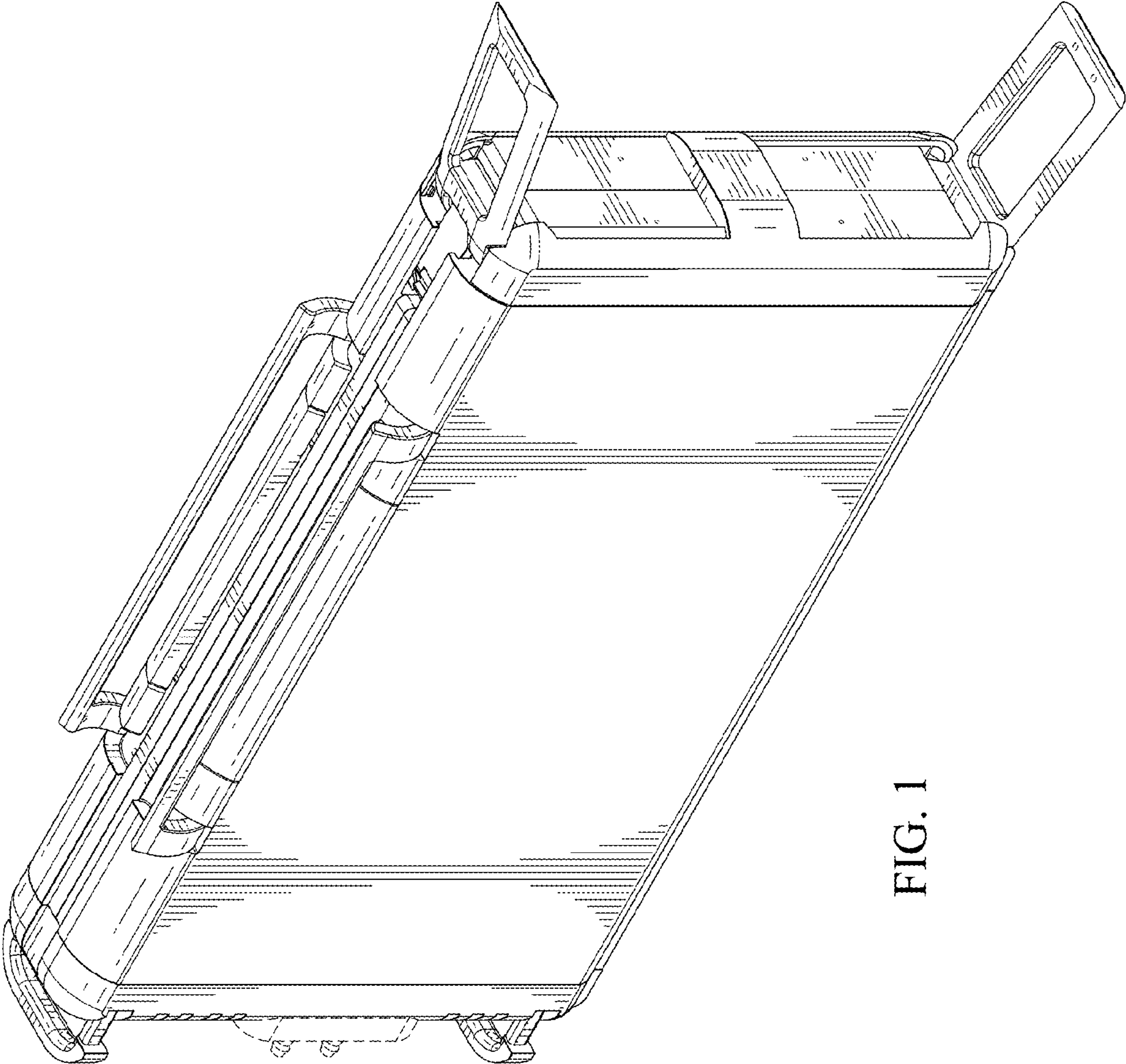


FIG. 1

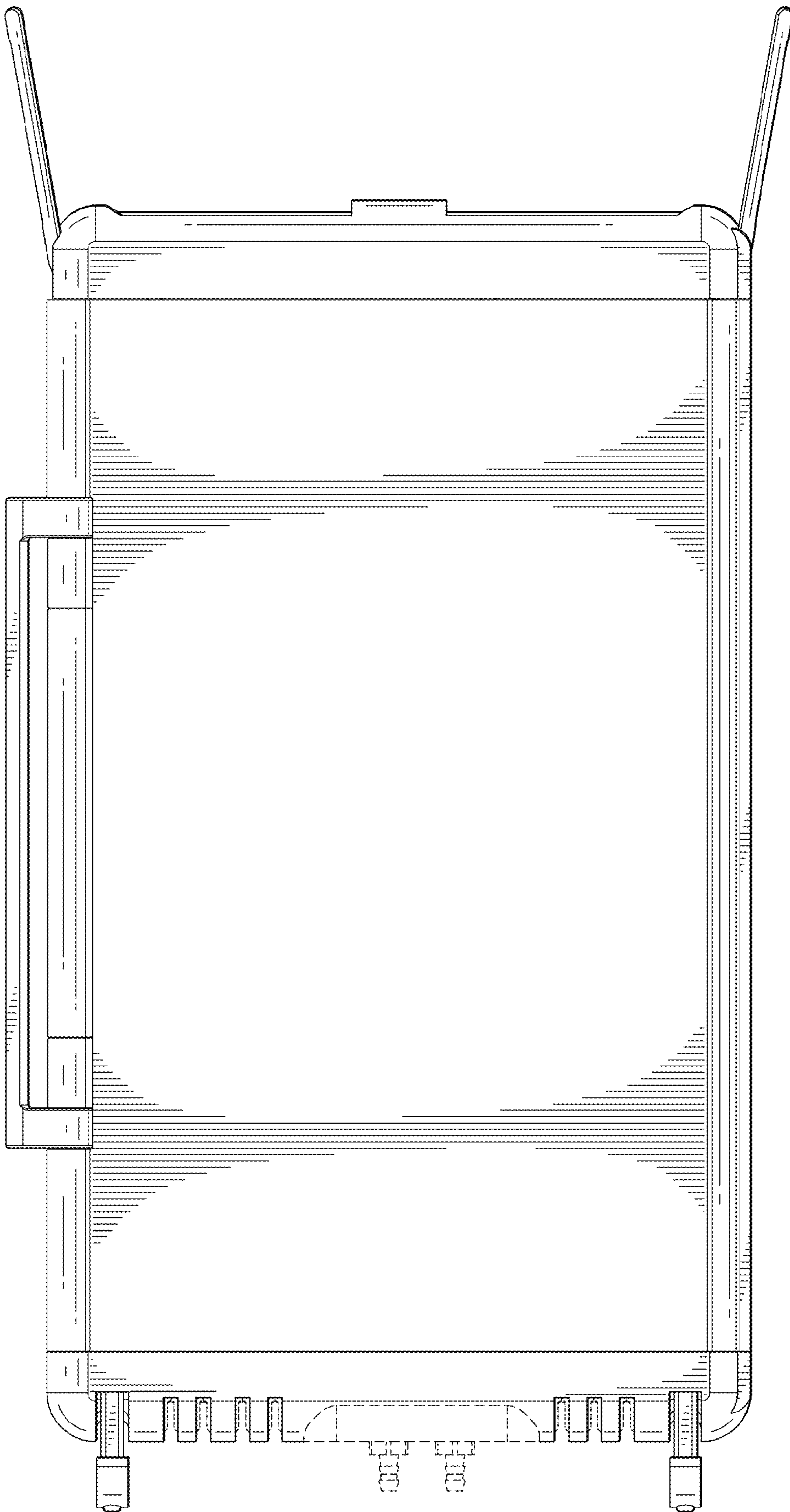


FIG. 2

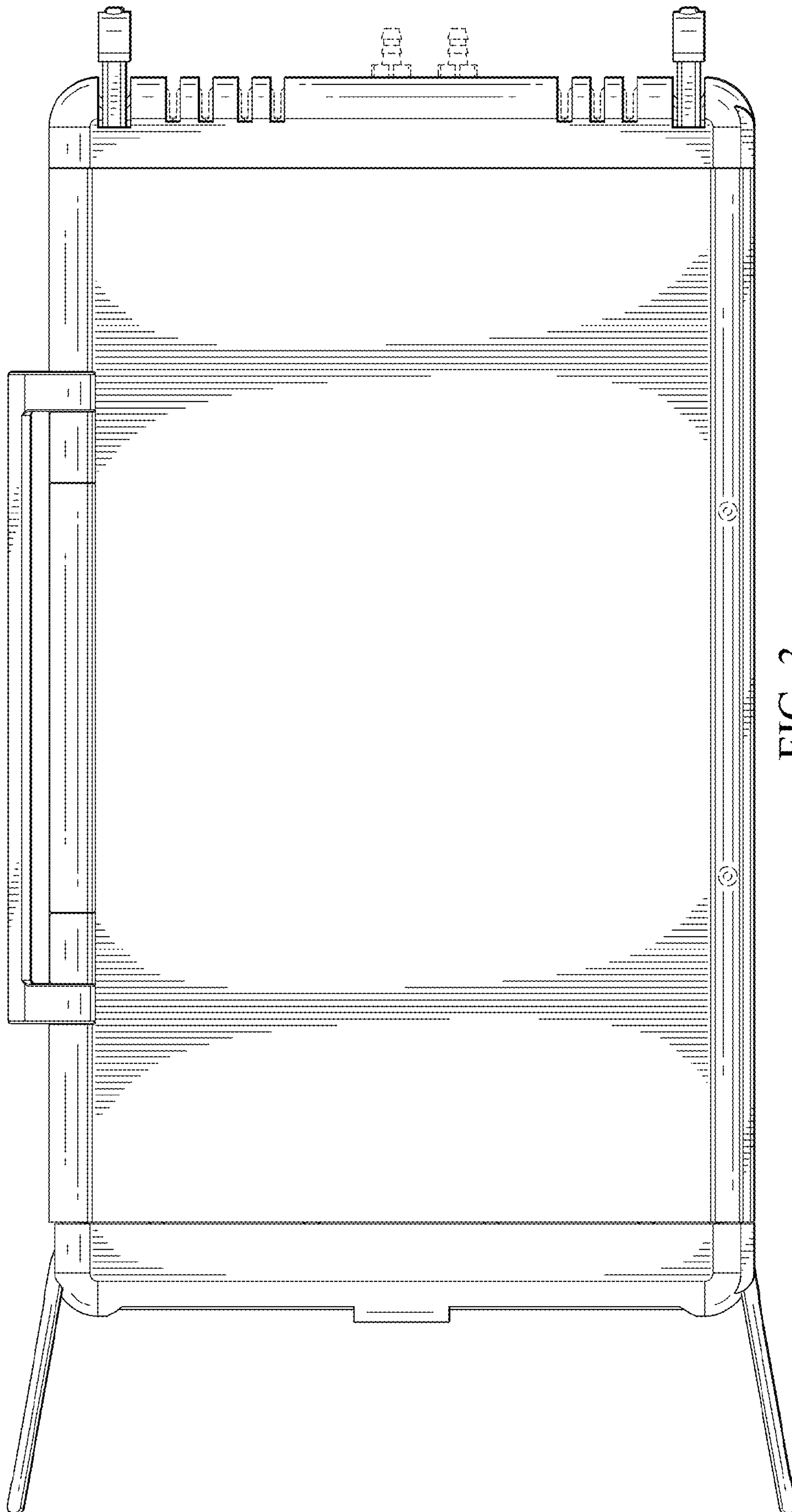


FIG. 3

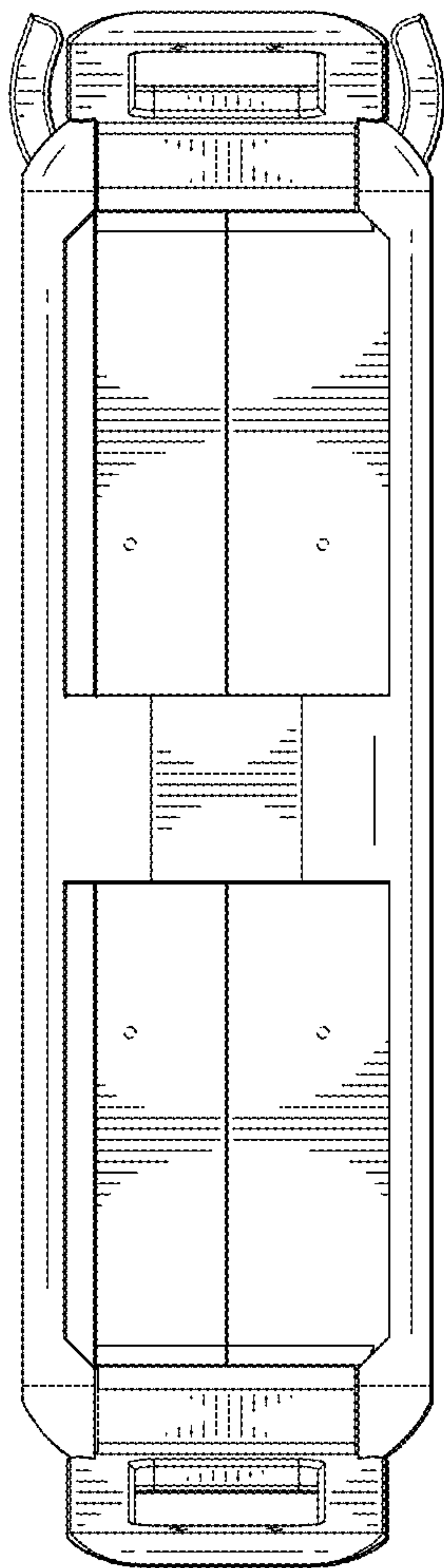


FIG. 4

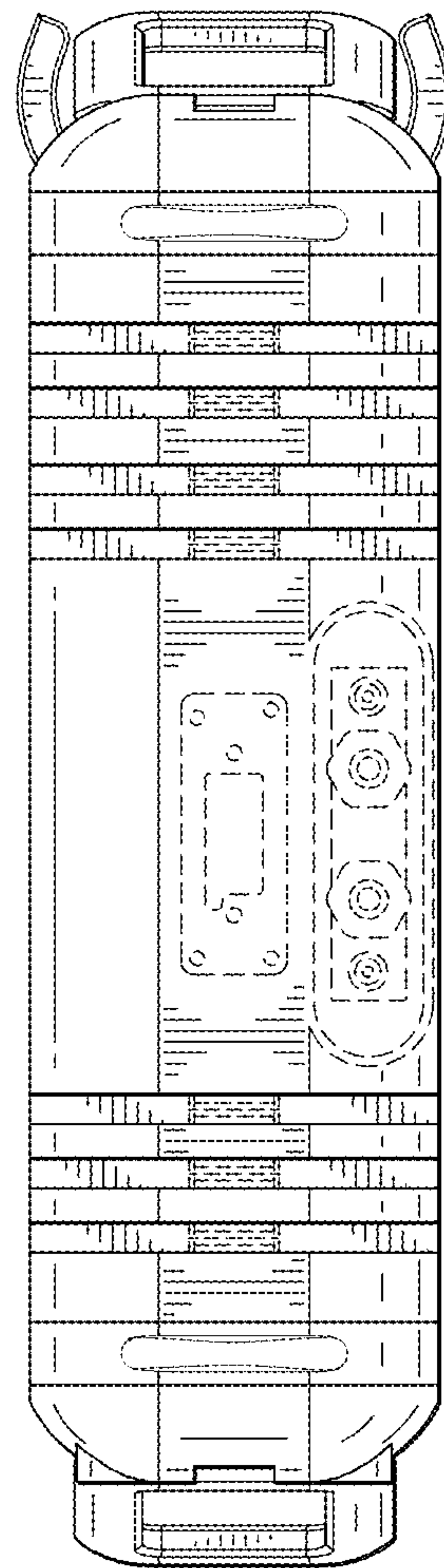


FIG. 5

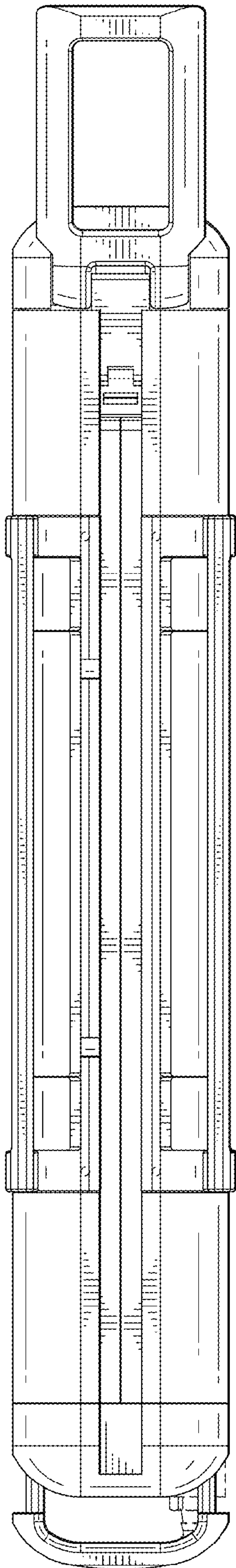


FIG. 6

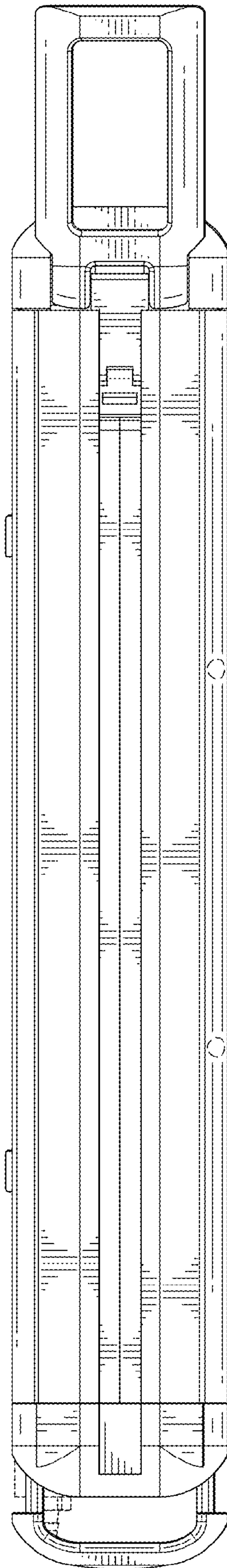


FIG. 7

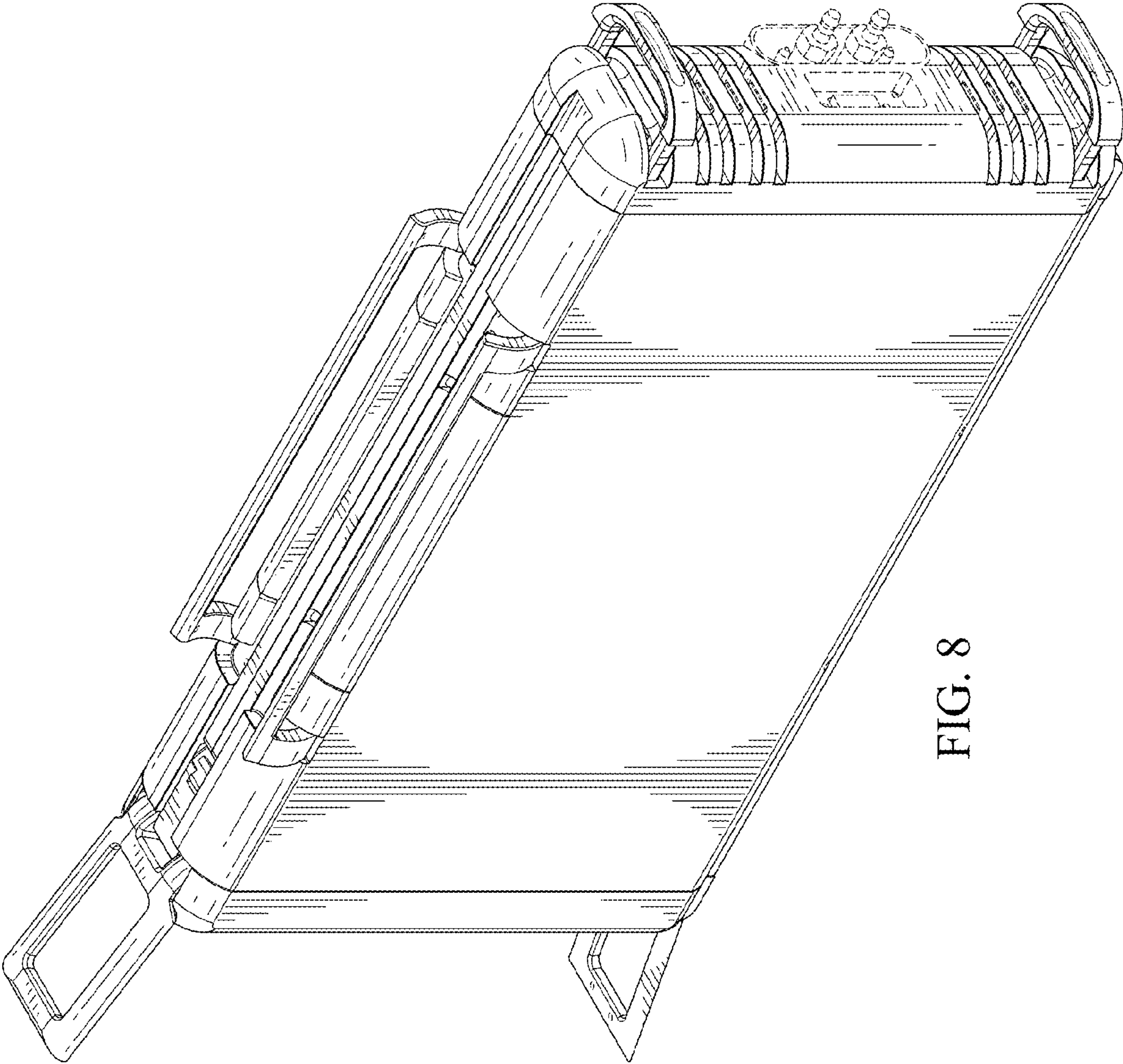


FIG. 8

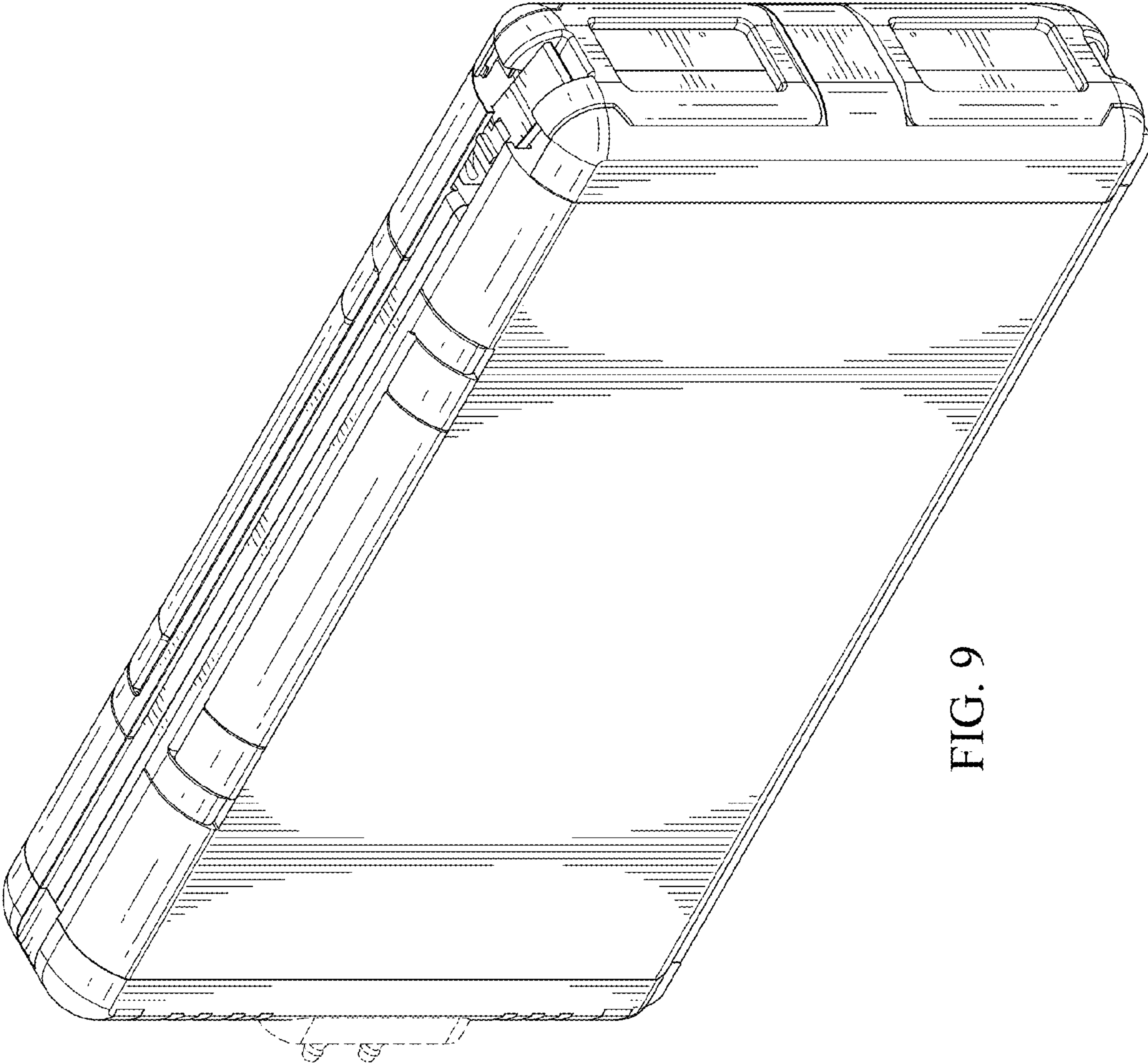


FIG. 9

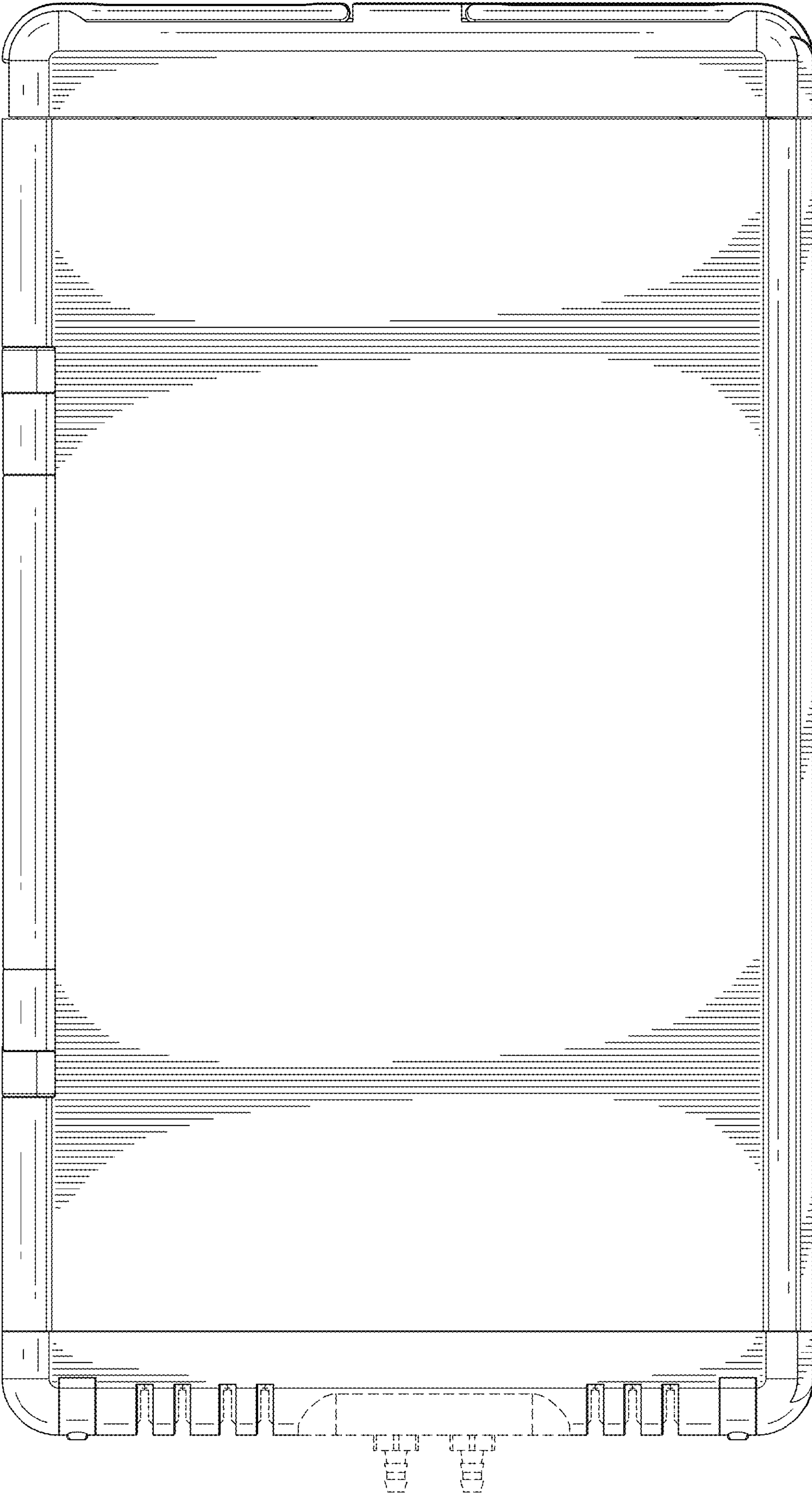


FIG. 10

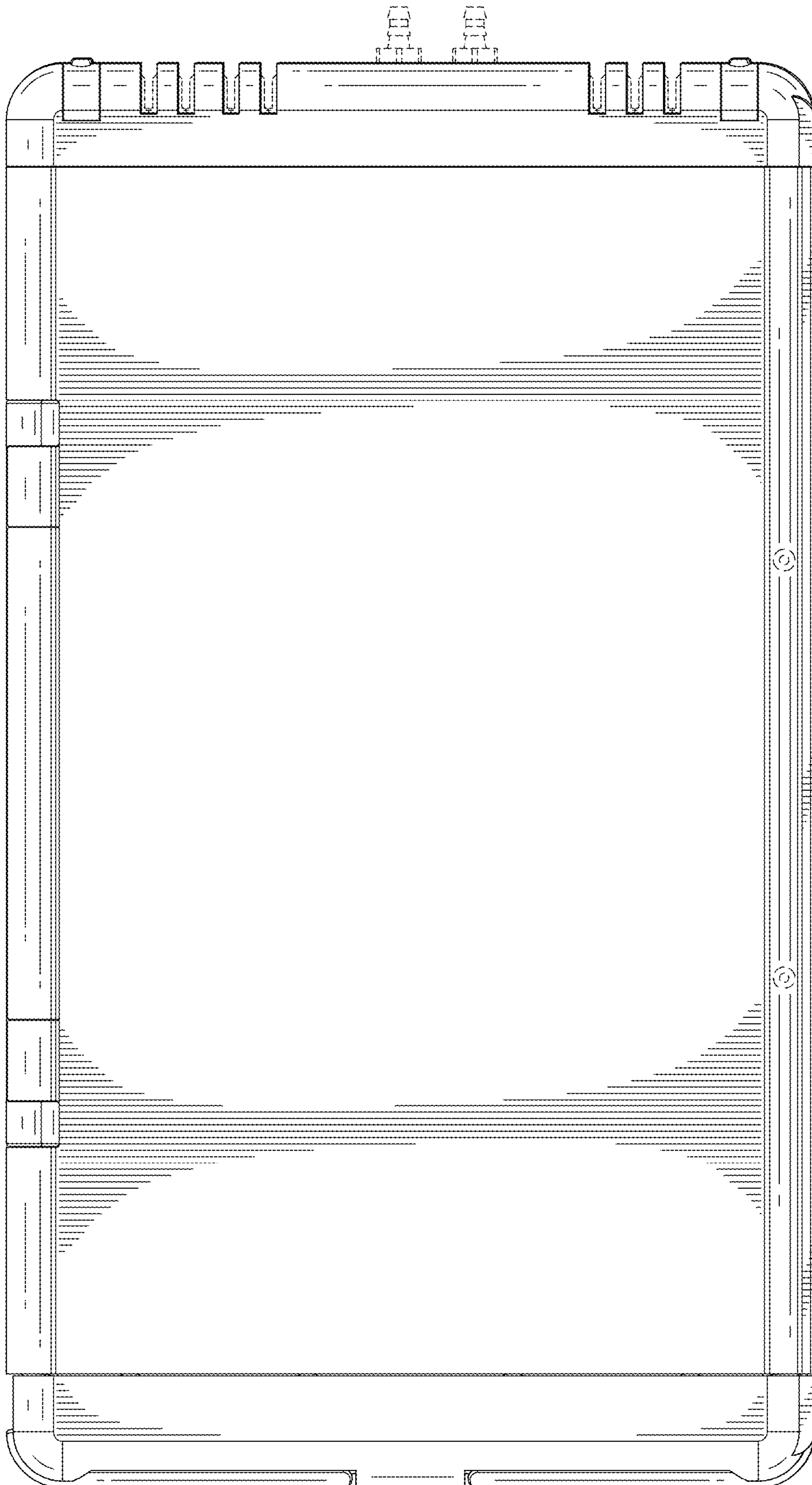


FIG. 11

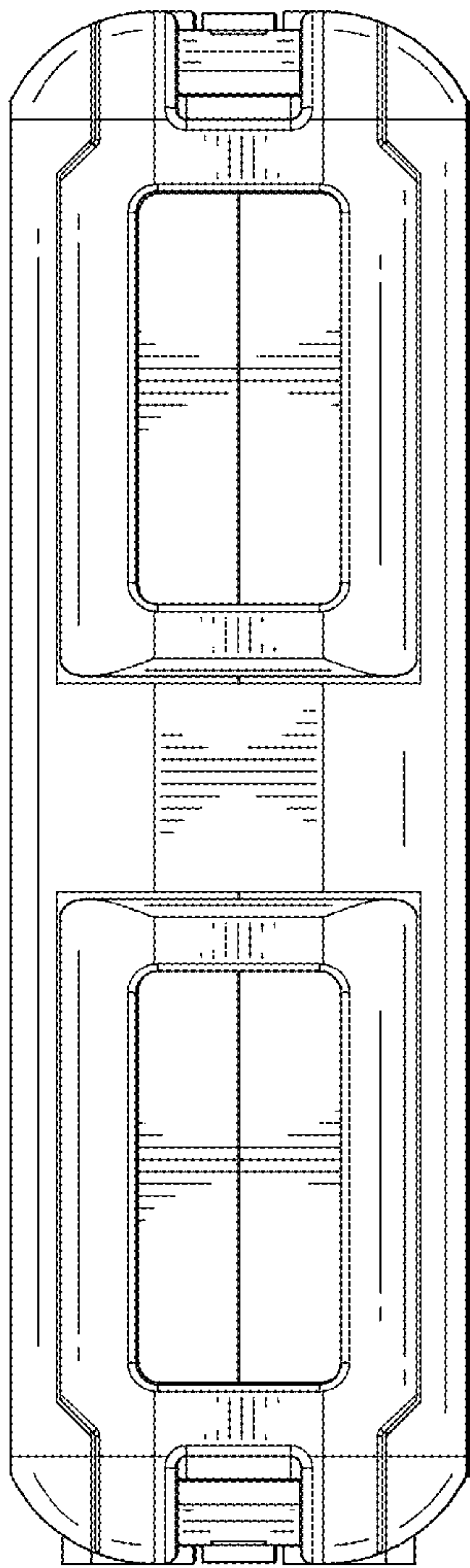


FIG. 12

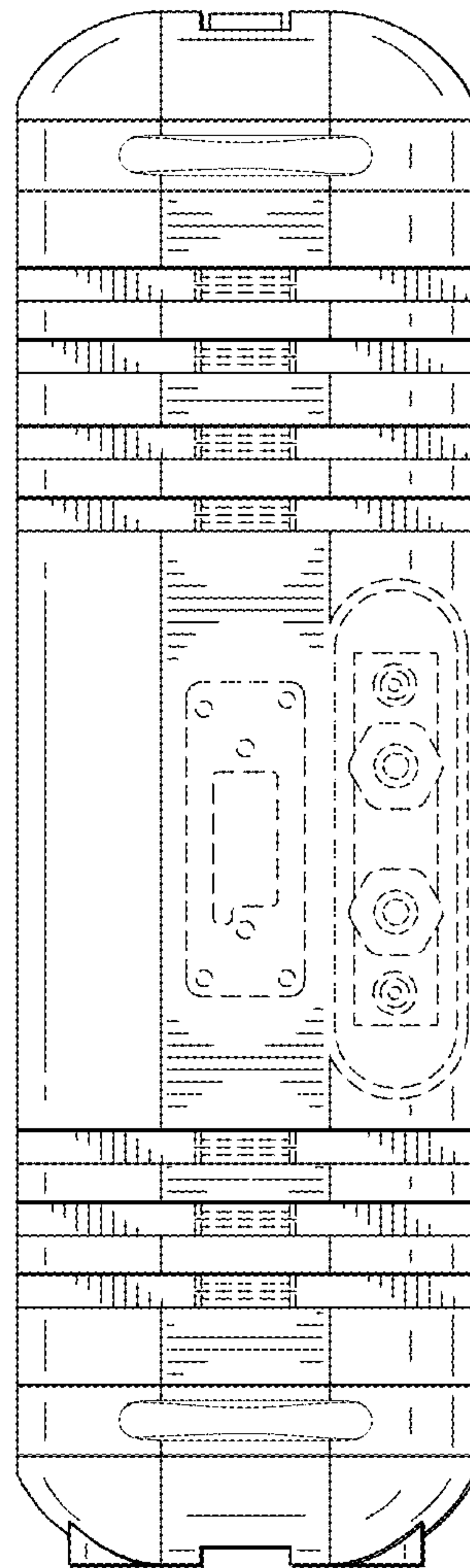


FIG. 13

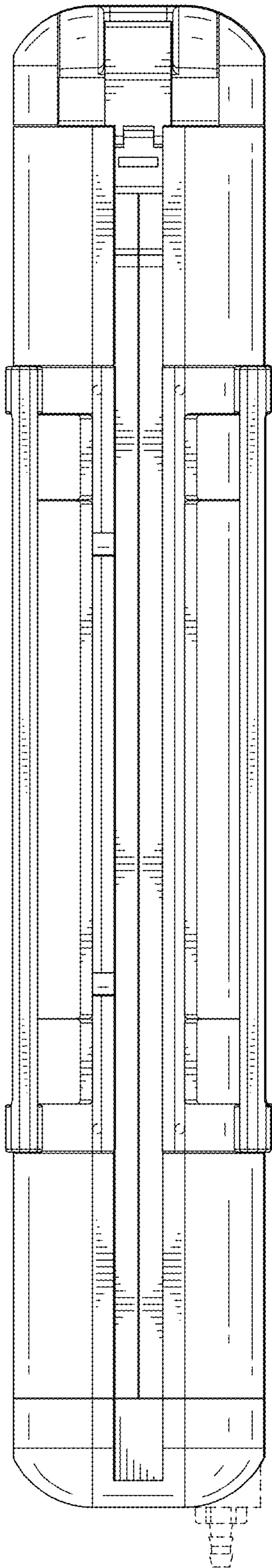


FIG. 14

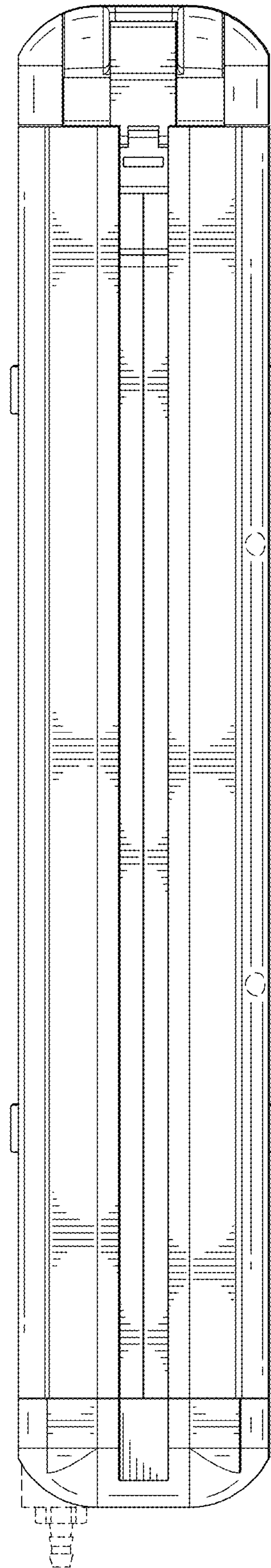


FIG. 15

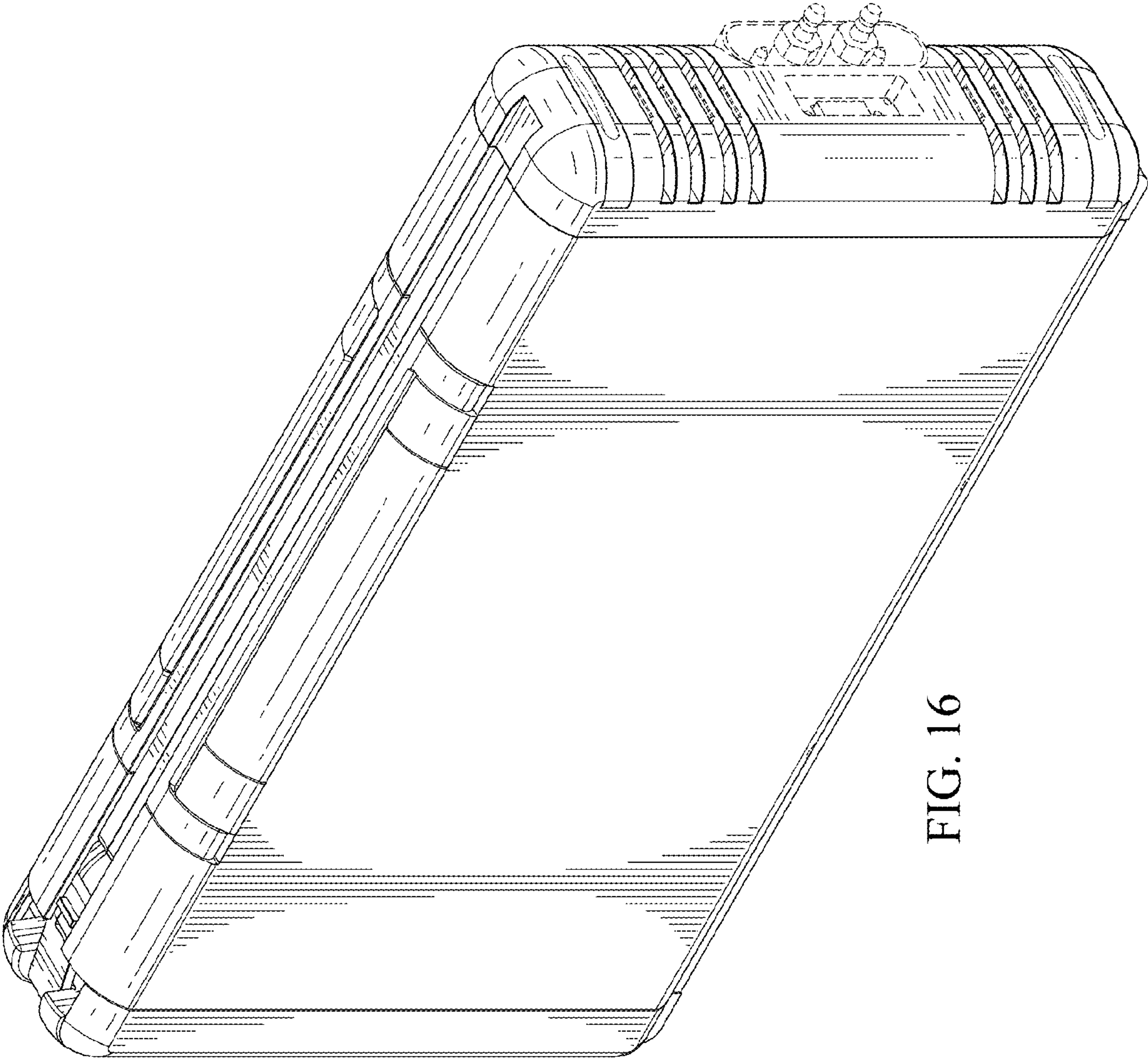


FIG. 16