



US00D884609S

(12) **United States Design Patent** (10) **Patent No.:** **US D884,609 S**
Gan et al. (45) **Date of Patent:** **** May 19, 2020**

(54) **JUMP STARTER**

(71) Applicant: **Shenzhen Valuelink E-Commerce Co., Ltd.**, Shenzhen (CN)

(72) Inventors: **Qing-Cao Gan**, Shenzhen (CN);
Yue-Fei Liao, Shenzhen (CN)

(73) Assignee: **Shenzhen Valuelink E-Commerce Co., Ltd.**, Shenzhen (CN)

(**) Term: **15 Years**

(21) Appl. No.: **29/642,525**

(22) Filed: **Mar. 30, 2018**

(30) **Foreign Application Priority Data**

Oct. 27, 2017 (JP) 2017 3 0518824

(51) **LOC (12) Cl.** **13-02**

(52) **U.S. Cl.**
USPC **D13/107**; D13/103

(58) **Field of Classification Search**
USPC D13/106–110, 118, 184; D14/356, 432
CPC Y02E 60/10; Y02E 60/12; Y02E 60/122;
Y02E 60/124; Y02E 60/50; H01M 2/02;
H01M 2/022; H01M 2/0202; H01M
2/0207; H01M 2/0212; H01M 2/1061;
H01M 2/1022; H01M 2/1055; H01M
2/1066; H01M 2/105; H01M 2/20; H01M
2/204; H01M 2/206; H01M 10/44; H01M
10/46; H01M 10/465; H01M 10/482;
H01M 2200/30; H01M 2250/30; H01M
2250/40; H02J 7/00; H02J 7/0003; H02J
7/0011; H02J 7/0013; H02J 7/0054; H02J
7/0055; H02J 7/0057; H02J 7/0034; H02J
7/1423; H02J 2007/0062; H02J 2001/006;
Y02T 10/7005; Y02T 10/705; Y02T
10/7088

See application file for complete search history.

(56) **References Cited**

U.S. PATENT DOCUMENTS

D564,960 S *	3/2008	Sacco	D13/107
D742,822 S *	11/2015	Ju	D13/103
D780,689 S *	3/2017	Inskeep	D13/107
D787,443 S *	5/2017	Chiang	D13/110
D812,000 S *	3/2018	Li	D13/108
D814,405 S *	4/2018	Hahn	D13/107
D821,306 S *	6/2018	Liu	D13/107
D823,243 S *	7/2018	Toscani	D13/107
D832,781 S *	11/2018	Nook	D13/107
D845,229 S *	4/2019	Chen	D13/103
D856,956 S *	8/2019	Liu	D14/138 R
D861,597 S *	10/2019	Gan	D13/108
2016/0359352 A1 *	12/2016	Chiu	H02J 7/0047

* cited by examiner

Primary Examiner — Nathaniel D. Buckner

(74) *Attorney, Agent, or Firm* — ScienBiziP, P.C.

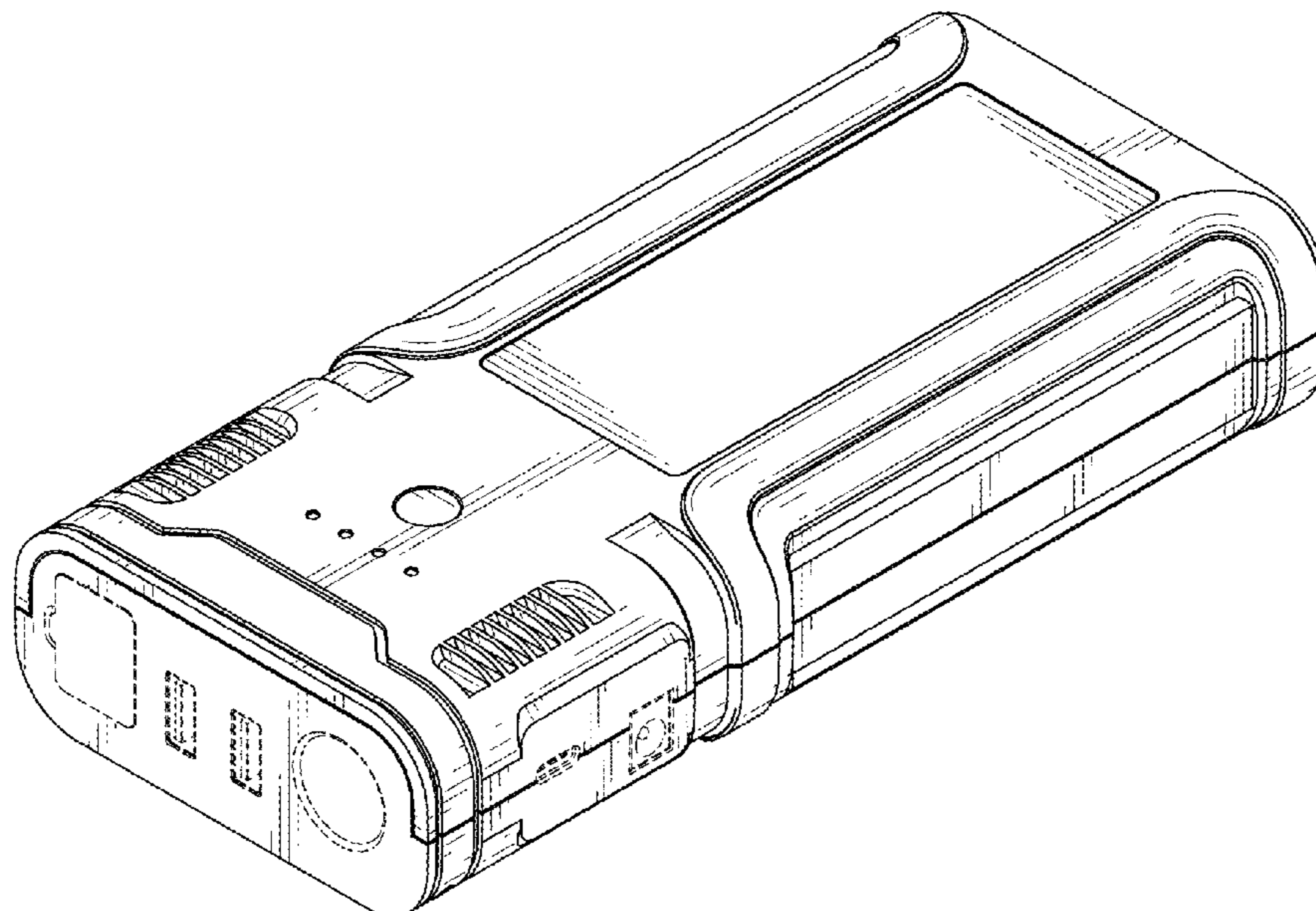
(57) **CLAIM**

The ornamental design for a jump starter, as shown and described.

DESCRIPTION

FIG. 1 is a front perspective view of a jump starter showing our new design;
FIG. 2 is a front elevational view of the jump starter of FIG. 1;
FIG. 3 is a rear elevational view of the jump starter of FIG. 1;
FIG. 4 is a left side elevational view of the jump starter of FIG. 1;
FIG. 5 is a right side elevational view of the jump starter of FIG. 1;
FIG. 6 is a top plan view of the jump starter of FIG. 1; and,
FIG. 7 is a bottom plan view of the jump starter of FIG. 1.
The broken lines in the drawings depict portions of the jump starter that form no part of the claimed design.

1 Claim, 7 Drawing Sheets



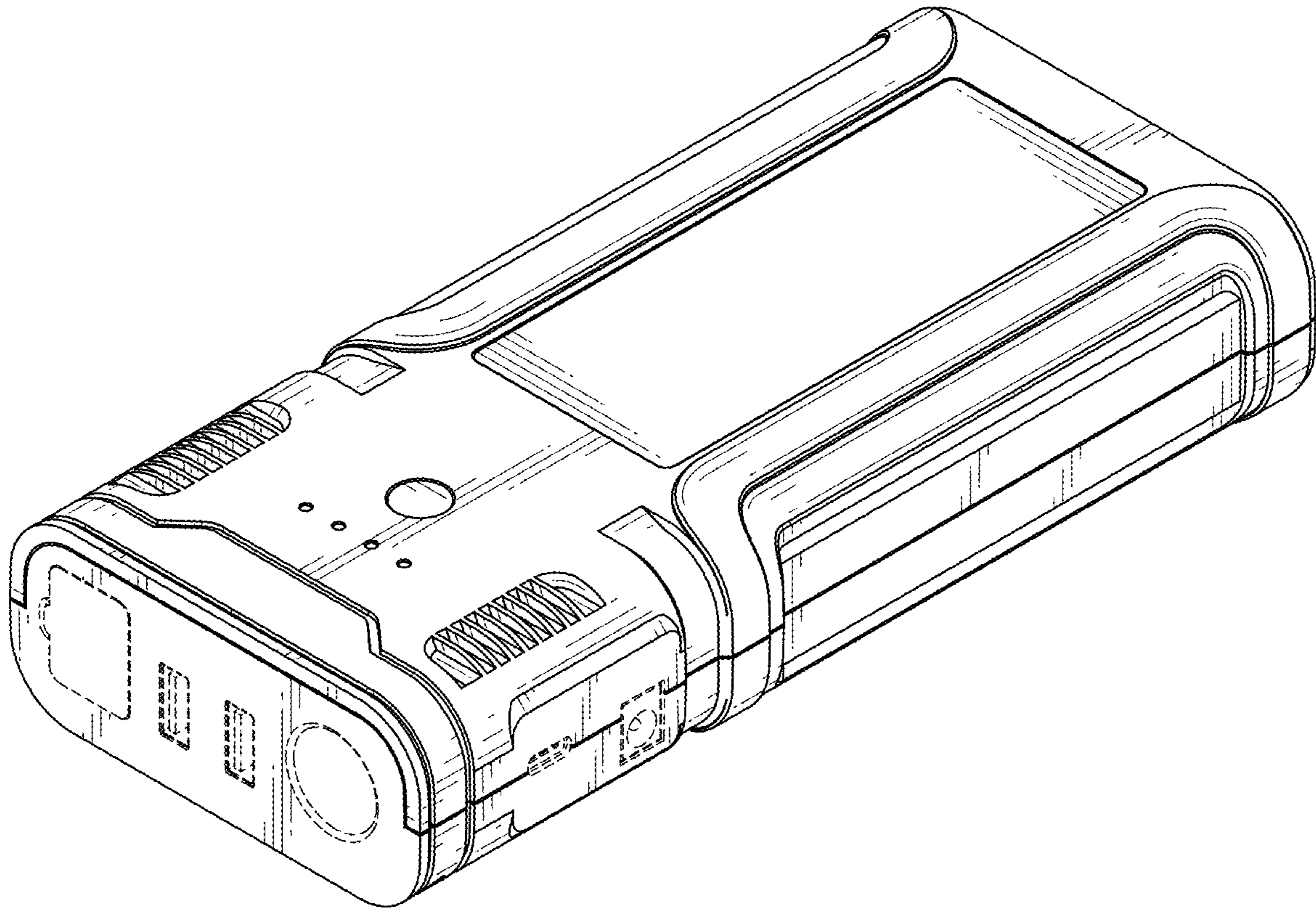


FIG. 1

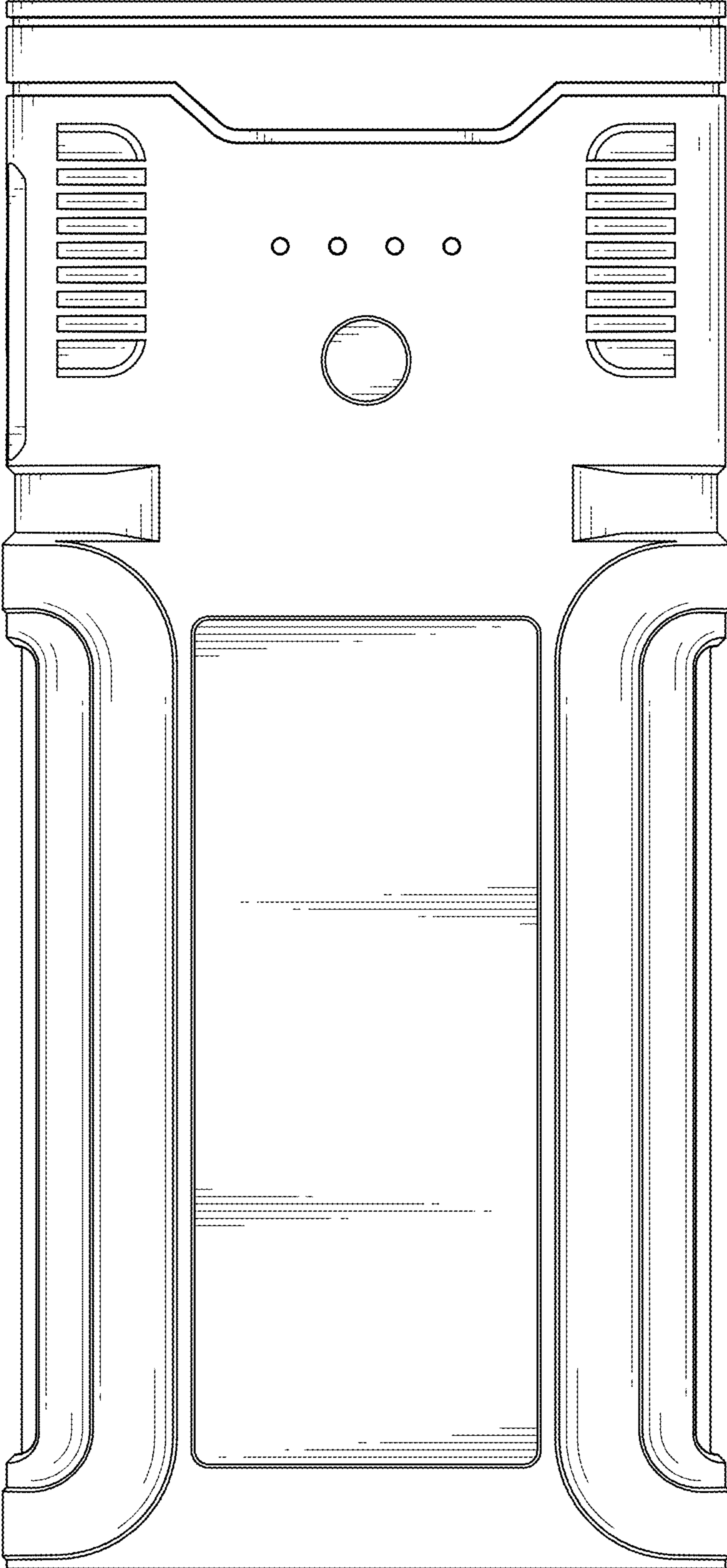


FIG. 2

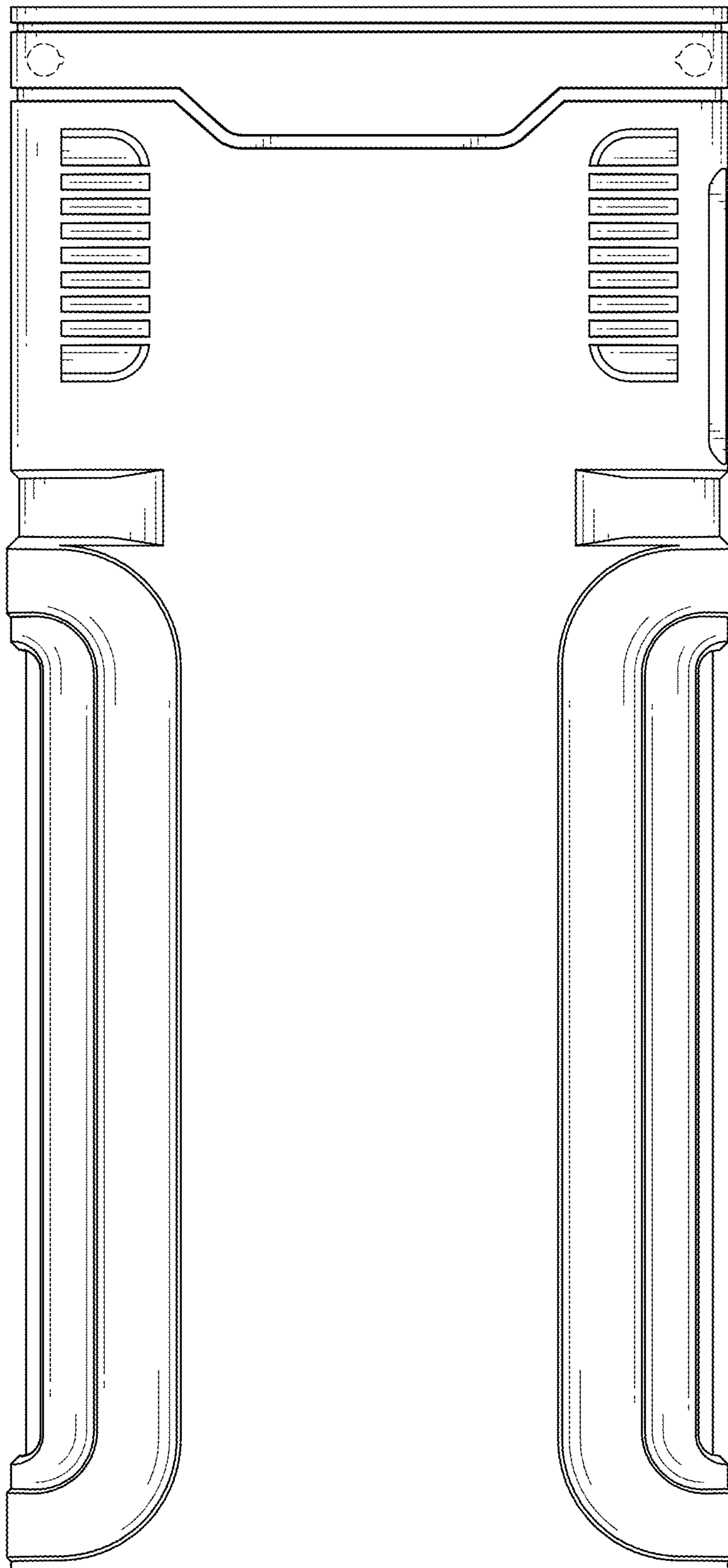


FIG. 3

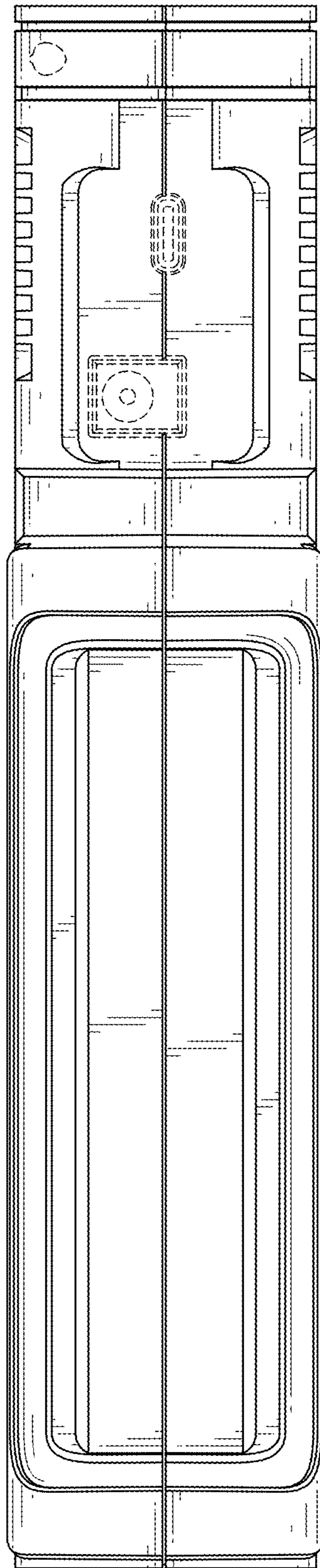


FIG. 4

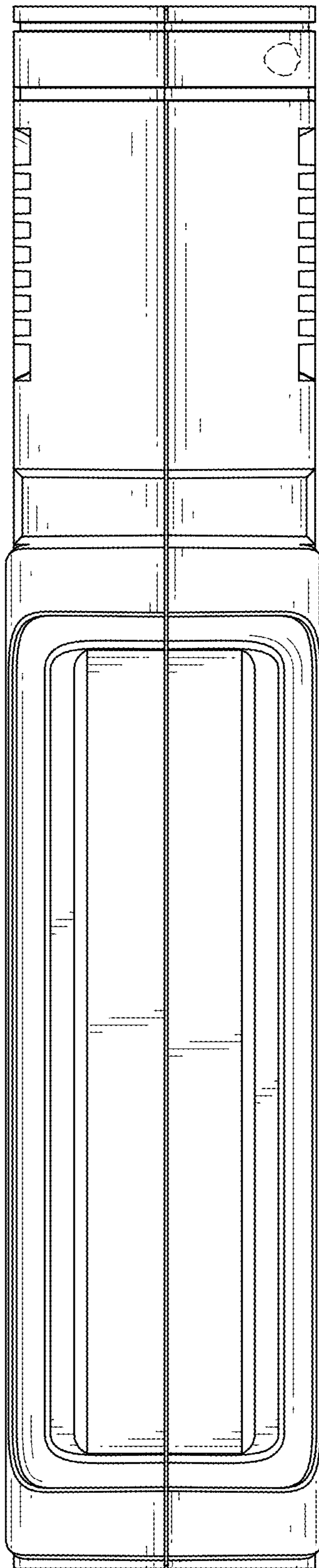


FIG. 5

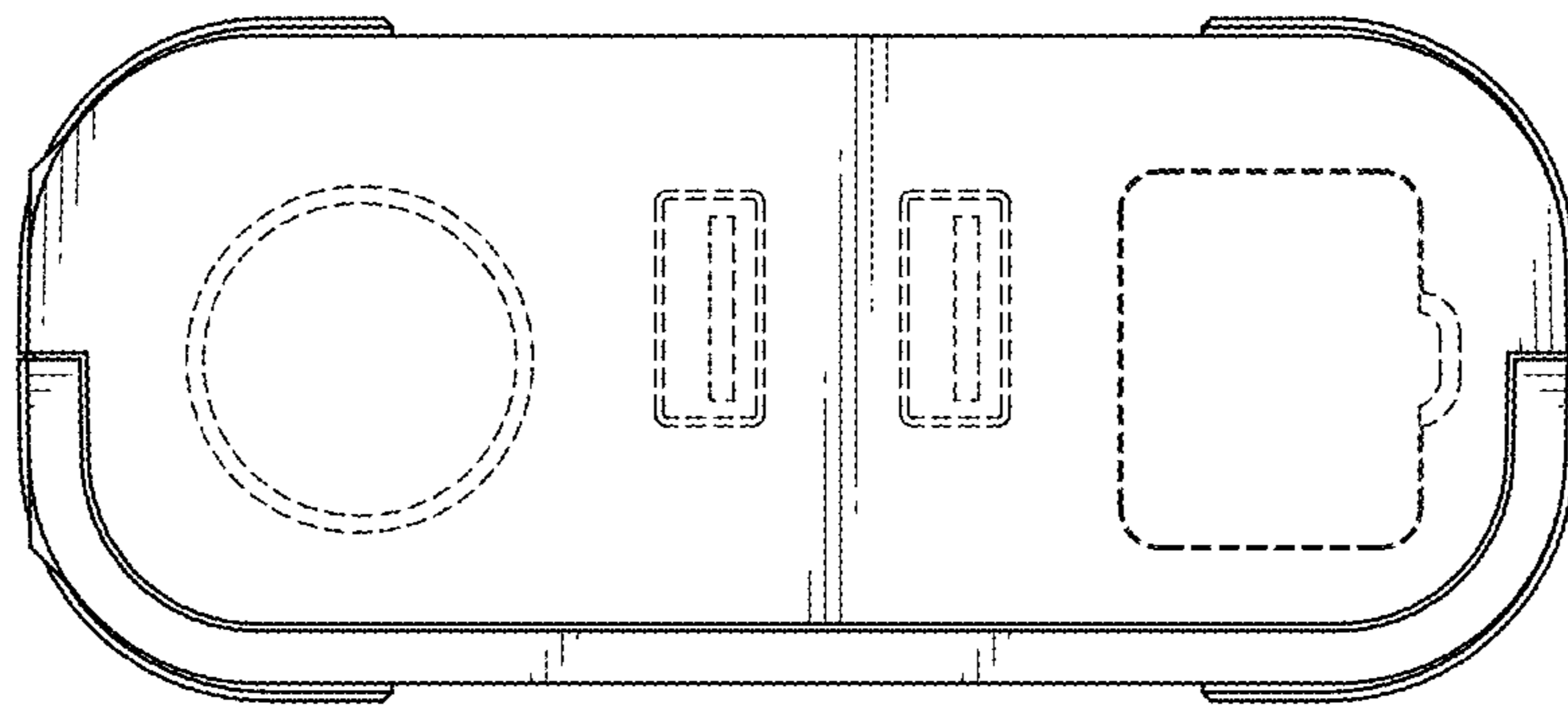


FIG. 6

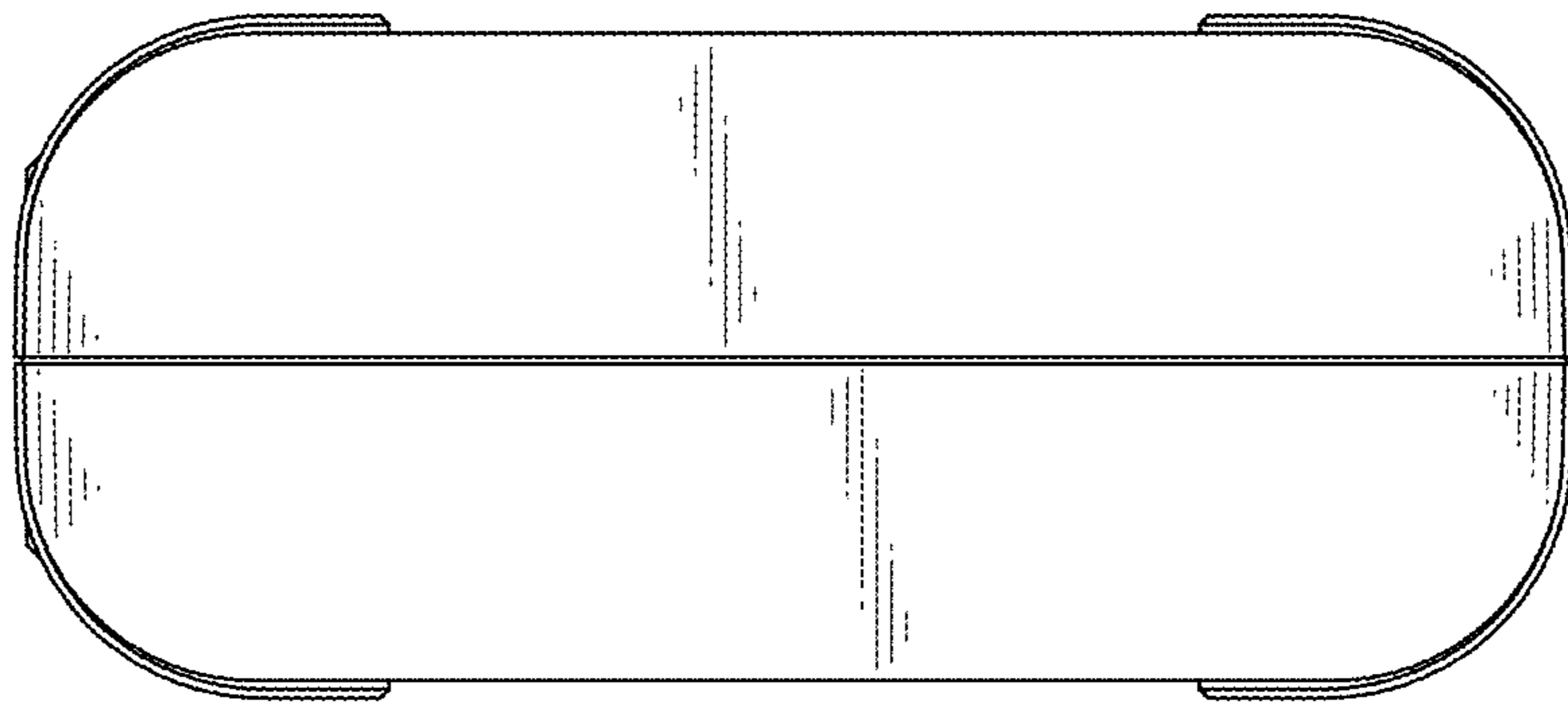


FIG. 7