



US00D884608S

(12) **United States Design Patent** (10) **Patent No.:** **US D884,608 S**
Gan et al. (45) **Date of Patent:** **** May 19, 2020**

(54) **JUMP STARTER**

(56) **References Cited**

(71) Applicant: **Shenzhen Valuelink E-Commerce Co., Ltd.**, Shenzhen (CN)

U.S. PATENT DOCUMENTS

(72) Inventors: **Qing-Cao Gan**, Shenzhen (CN);
Yue-Fei Liao, Shenzhen (CN)

D573,987 S *	7/2008	Dearborn	D14/363
D670,279 S *	11/2012	Veltz	D14/250
D681,550 S *	5/2013	Corbin	D13/103
D711,362 S *	8/2014	Poon	D14/250
D712,387 S *	9/2014	Tompkin	D14/250
D745,455 S *	12/2015	Nook	D13/103
D809,454 S *	2/2018	Zhou	D13/103
D816,024 S *	4/2018	Yang	D13/107
D821,306 S *	6/2018	Liu	D13/107
D848,366 S *	5/2019	Lian	D13/108
D851,586 S *	6/2019	Liu	D13/108

(73) Assignee: **Shenzhen Valuelink E-Commerce Co., Ltd.**, Shenzhen (CN)

(**) Term: **15 Years**

(Continued)

(21) Appl. No.: **29/642,521**

Primary Examiner — Nathaniel D. Buckner

(22) Filed: **Mar. 30, 2018**

(74) *Attorney, Agent, or Firm* — ScienBiziP, P.C.

(30) **Foreign Application Priority Data**

Oct. 27, 2017 (CN) 2017 3 0518811

(57) **CLAIM**

(51) **LOC (12) Cl.** **13-02**

The ornamental design for a jump starter, as shown and described.

(52) **U.S. Cl.**

USPC **D13/107**; D13/103

DESCRIPTION

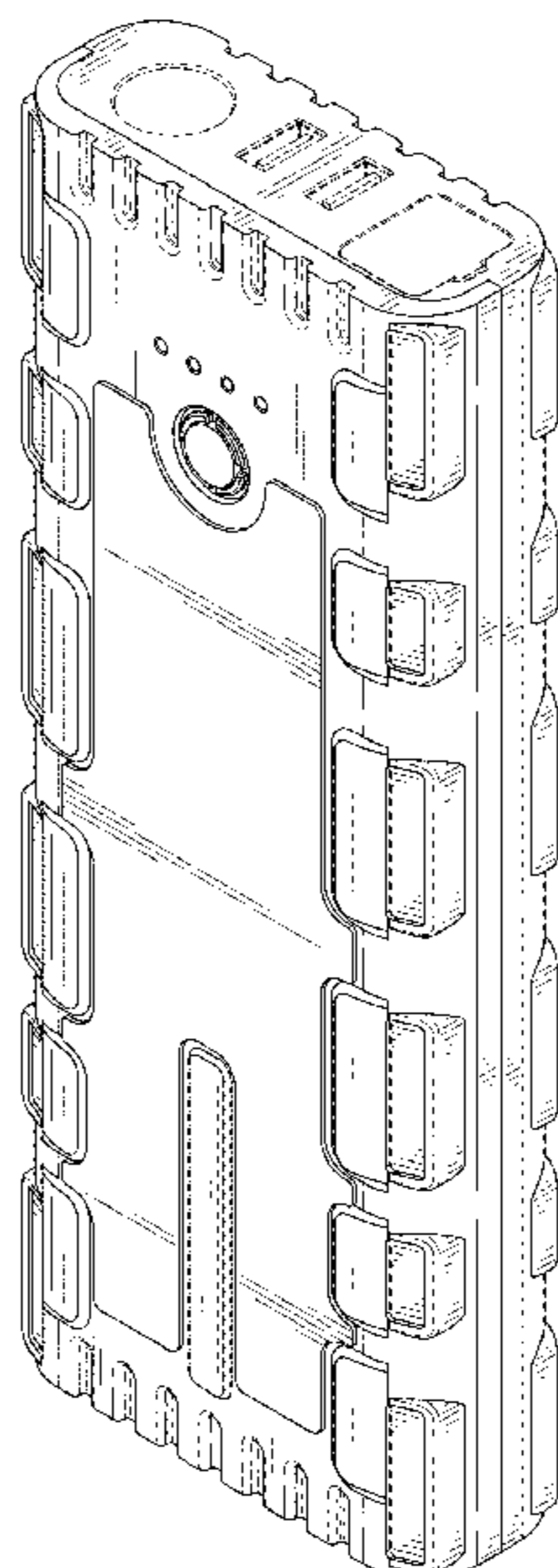
(58) **Field of Classification Search**

USPC D13/106–110, 118, 184; D14/356, 432
CPC Y02E 60/10; Y02E 60/12; Y02E 60/122;
Y02E 60/124; Y02E 60/50; H01M 2/02;
H01M 2/022; H01M 2/0202; H01M
2/0207; H01M 2/0212; H01M 2/1061;
H01M 2/1022; H01M 2/1055; H01M
2/1066; H01M 2/105; H01M 2/20; H01M
2/204; H01M 2/206; H01M 10/44; H01M
10/46; H01M 10/465; H01M 10/482;
H01M 2200/30; H01M 2250/30; H01M
2250/40; H02J 7/00; H02J 7/0003; H02J
7/0011; H02J 7/0013; H02J 7/0054; H02J
7/0055; H02J 7/0057; H02J 7/0034; H02J
7/1423; H02J 2007/0062; H02J 2001/006;
Y02T 10/7005; Y02T 10/705; Y02T
10/7088

FIG. 1 is a front perspective view of a jump starter showing our new design;
FIG. 2 is a rear perspective view of FIG. 1;
FIG. 3 is a front elevational view of the jump starter of FIG. 1;
FIG. 4 is a rear elevational view of the jump starter of FIG. 1;
FIG. 5 is a left side elevational view of the jump starter of FIG. 1;
FIG. 6 is a right side elevational view of the jump starter of FIG. 1;
FIG. 7 is a top plan view of the jump starter of FIG. 1; and,
FIG. 8 is a bottom plan view of the jump starter of FIG. 1.
The broken lines in the drawings depict portions of the jump starter that form no part of the claimed design.

See application file for complete search history.

1 Claim, 8 Drawing Sheets



(56)

References Cited

U.S. PATENT DOCUMENTS

D861,597 S * 10/2019 Gan D13/108
2016/0359352 A1 * 12/2016 Chiu H02J 7/0047

* cited by examiner

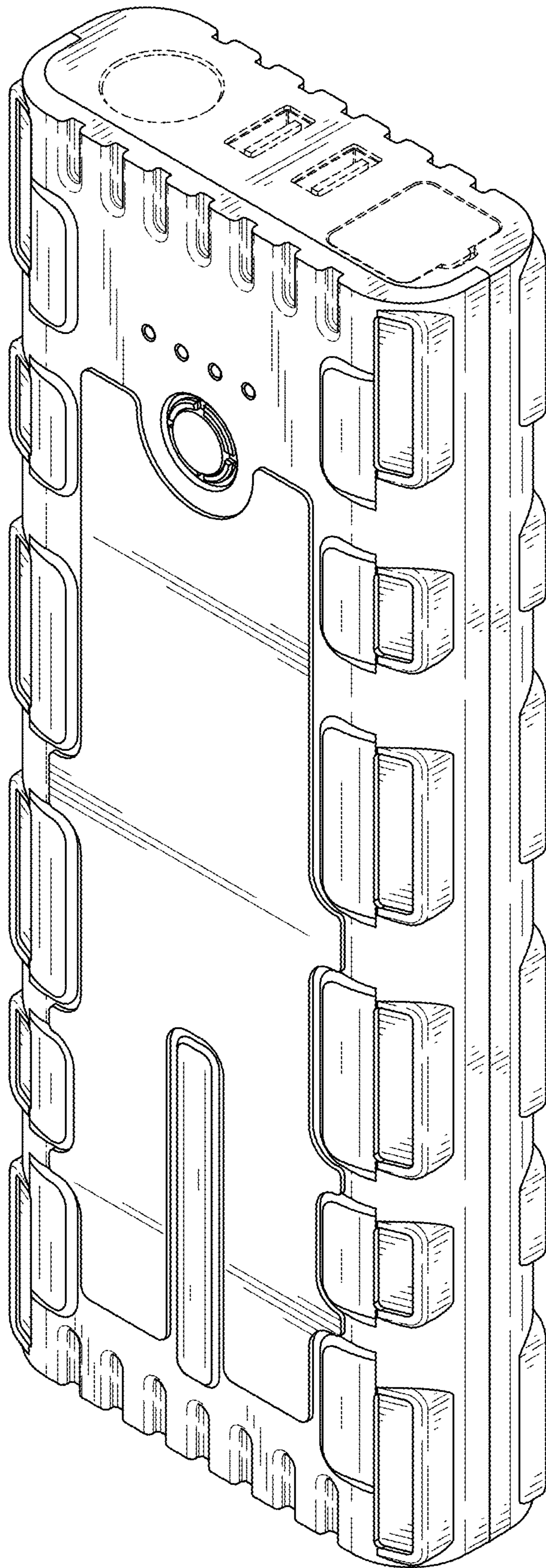


FIG. 1

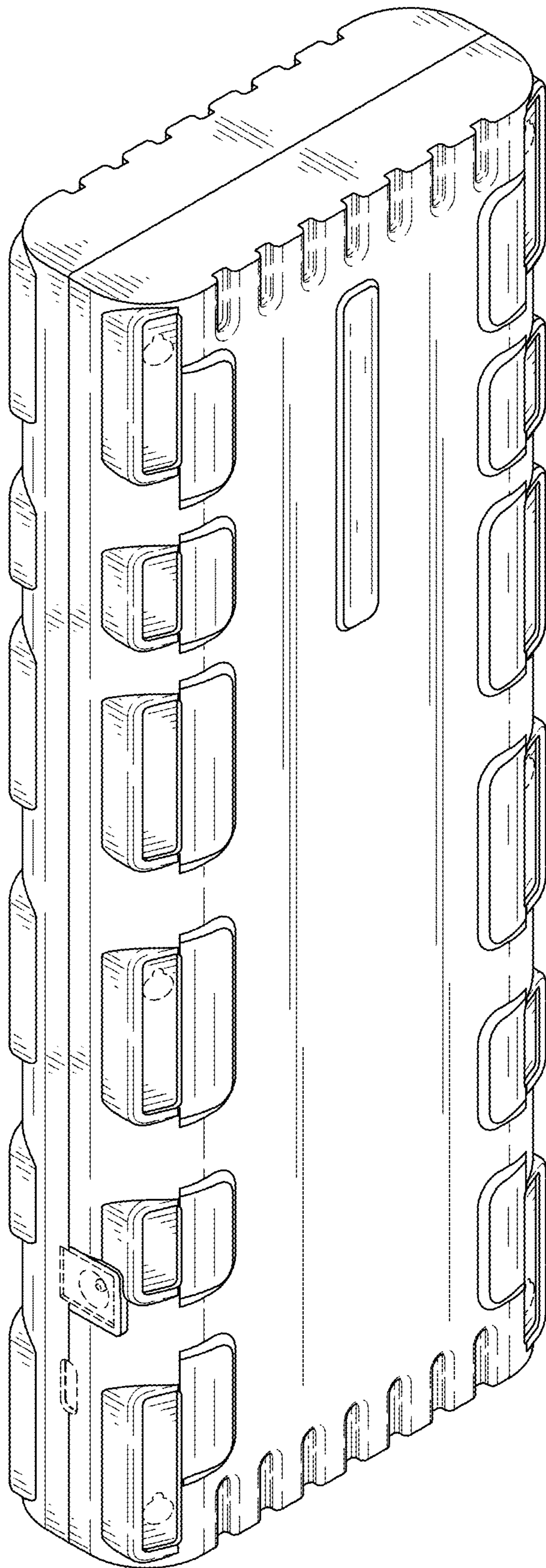


FIG. 2

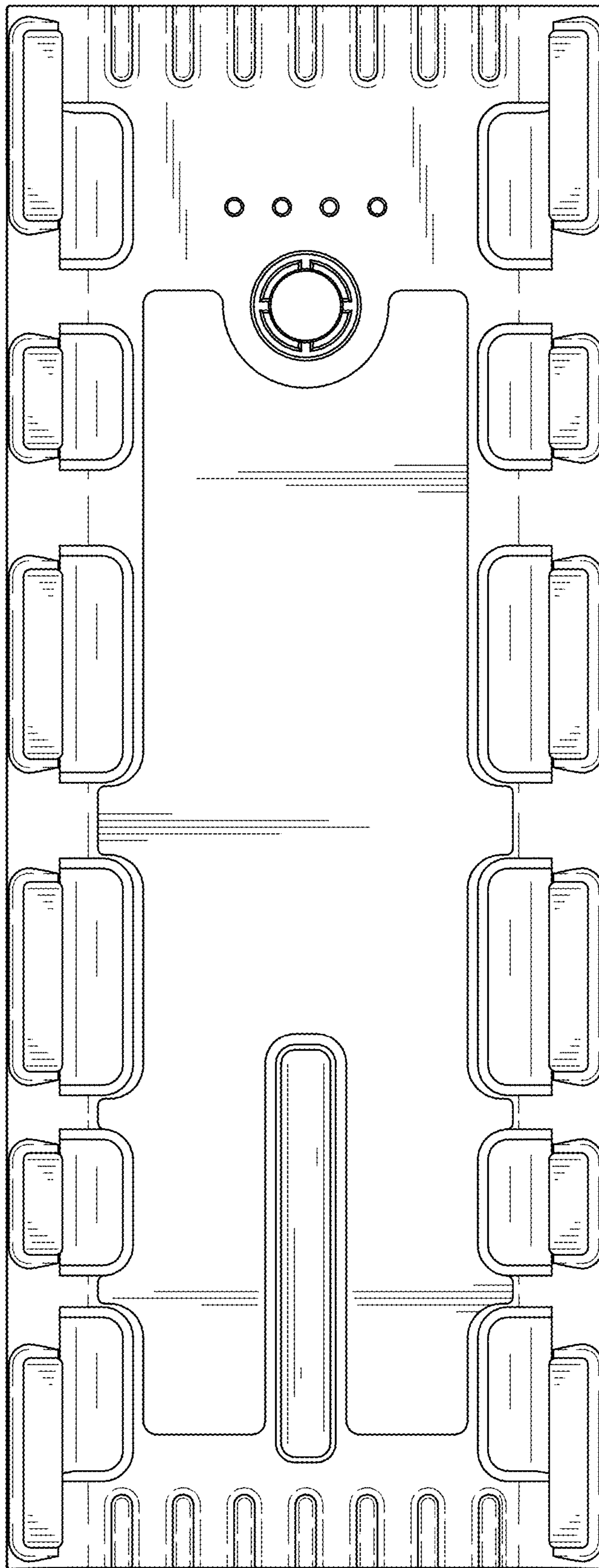


FIG. 3

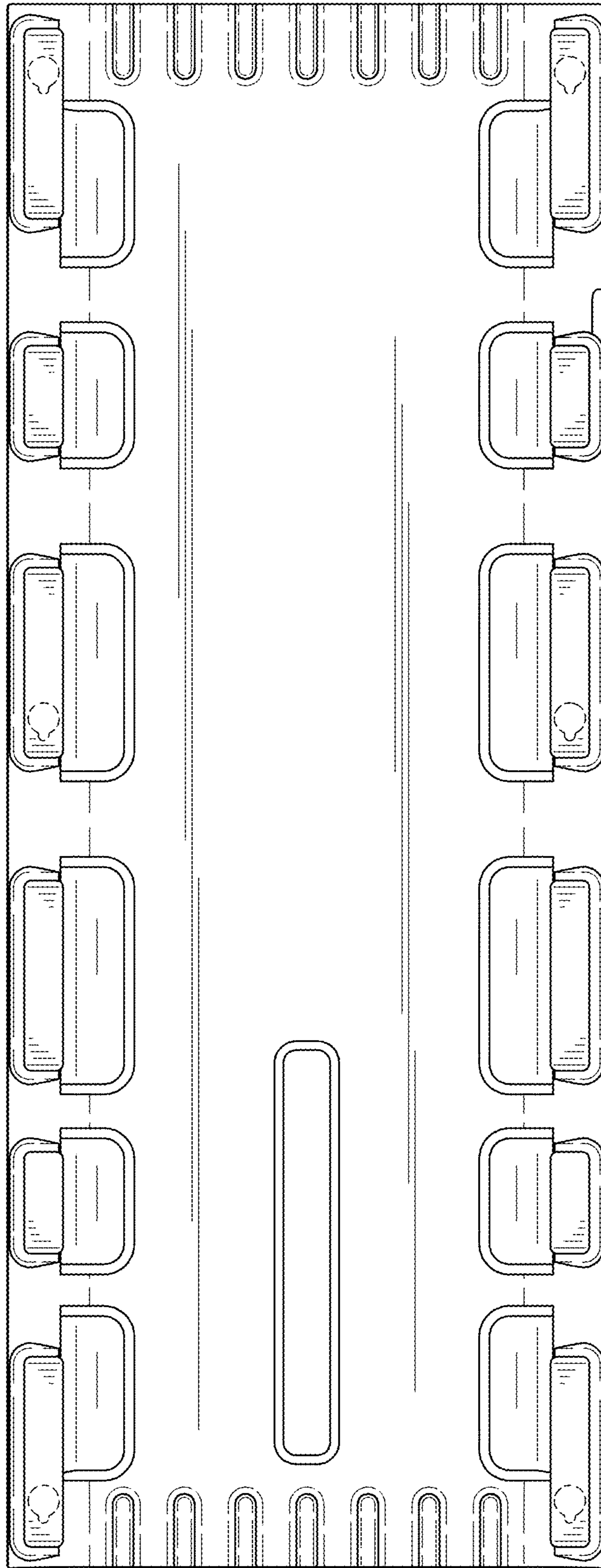


FIG. 4

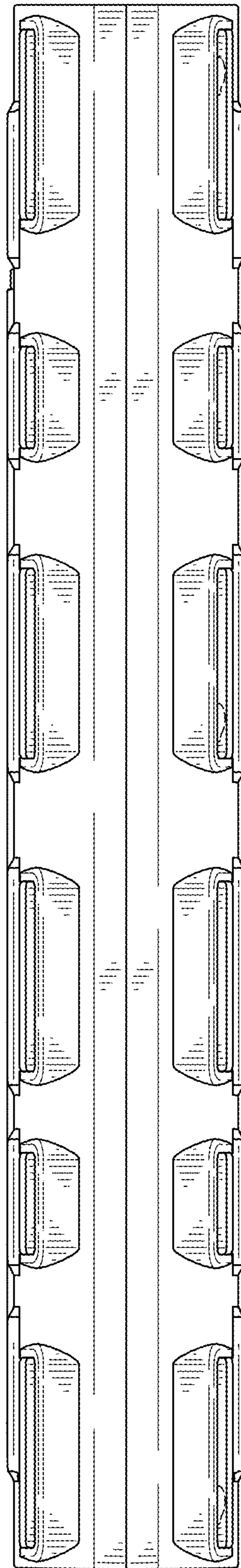


FIG. 5

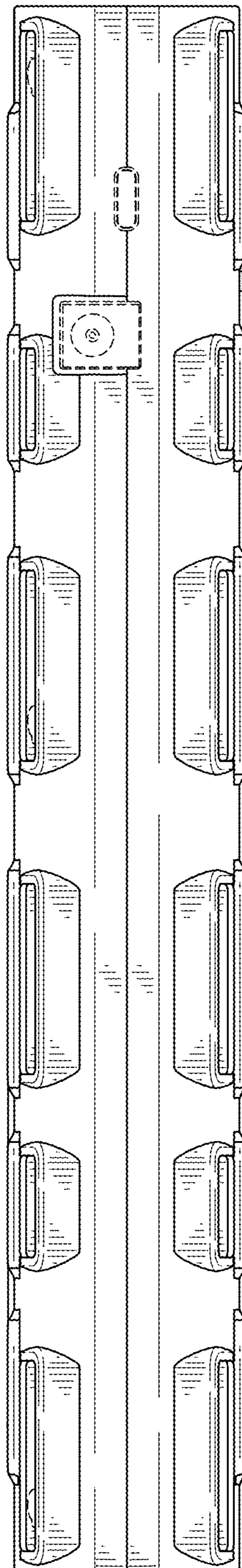


FIG. 6

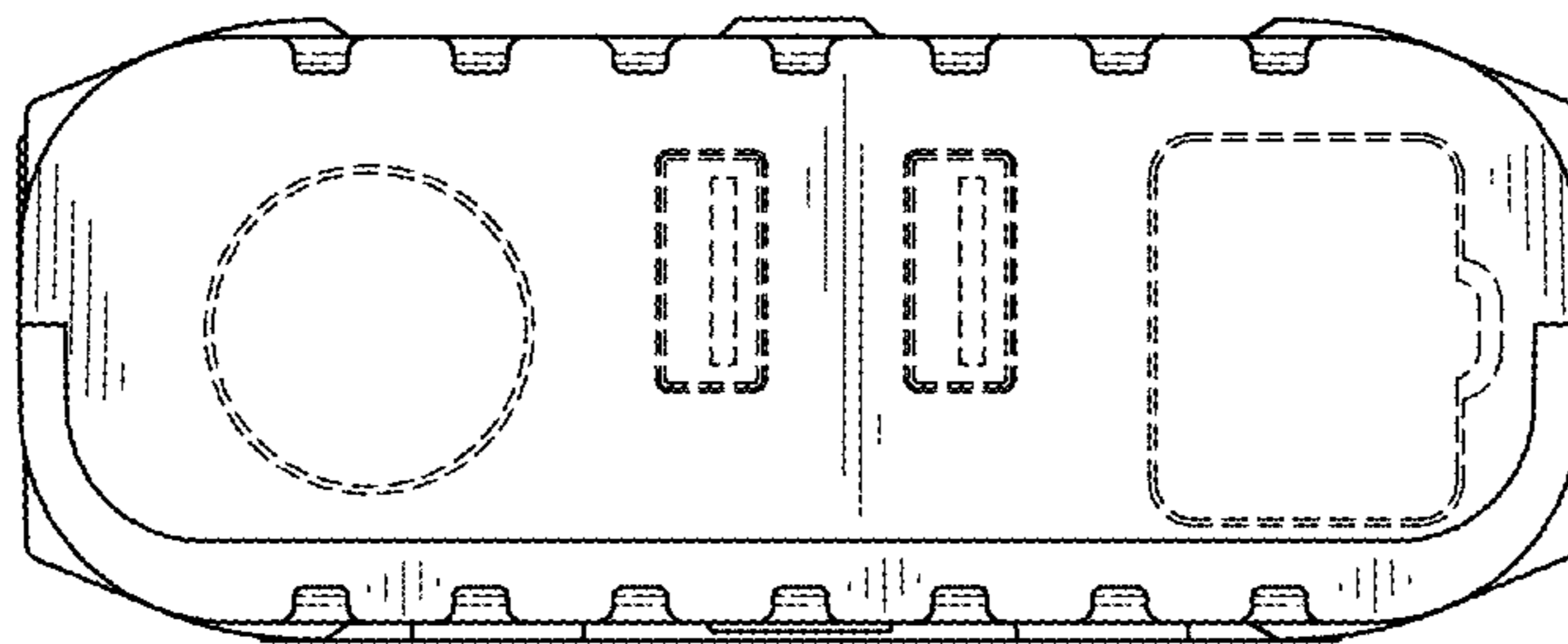


FIG. 7

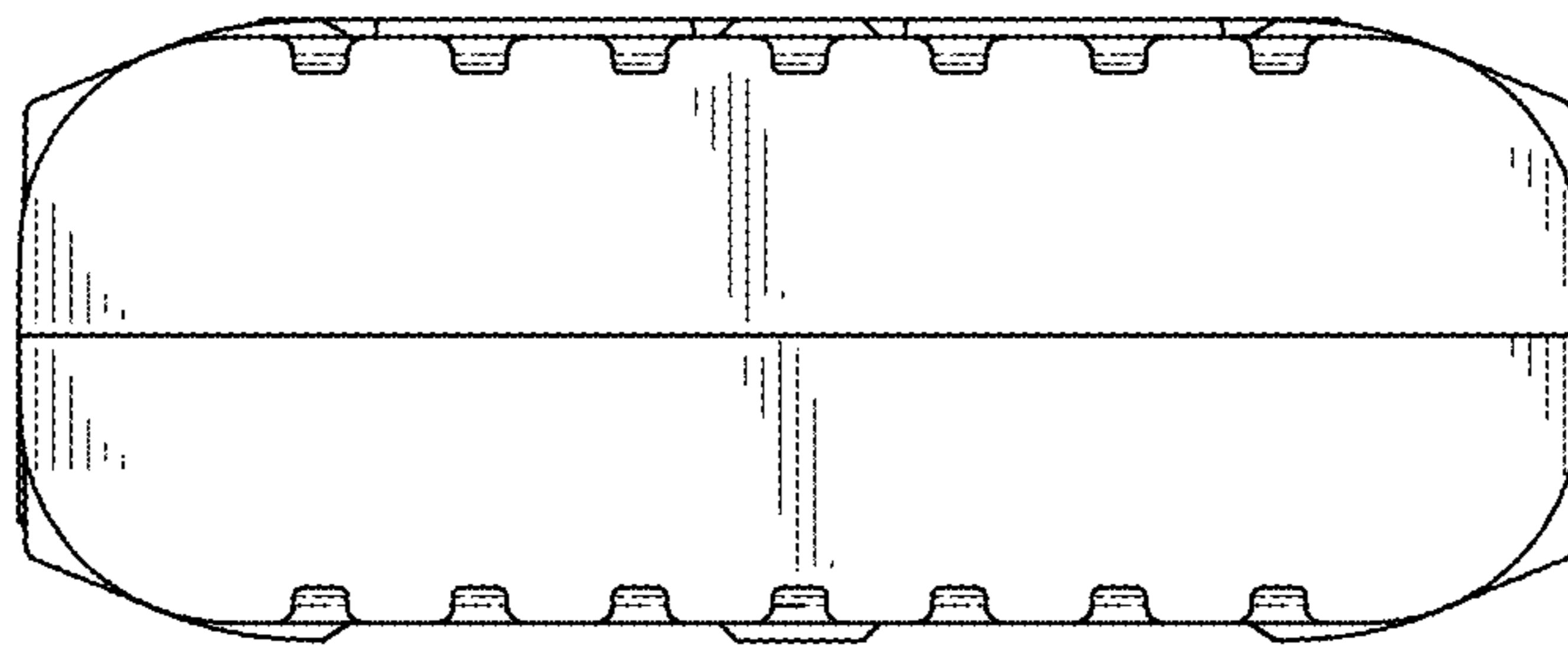


FIG. 8