



US00D884607S

(12) **United States Design Patent**
Takahashi

(10) **Patent No.:** **US D884,607 S**

(45) **Date of Patent:** **** May 19, 2020**

(54) **BATTERY CHARGER**

(71) Applicant: **HONDA MOTOR CO., LTD.**, Tokyo (JP)

(72) Inventor: **Yasushi Takahashi**, Wako (JP)

(73) Assignee: **HONDA MOTOR CO., LTD.**, Tokyo (JP)

(**) Term: **15 Years**

(21) Appl. No.: **29/642,372**

(22) Filed: **Mar. 29, 2018**

(30) **Foreign Application Priority Data**

Oct. 2, 2017 (JP) 2017-021769

(51) **LOC (12) Cl.** **13-02**

(52) **U.S. Cl.**
USPC **D13/107**

(58) **Field of Classification Search**
USPC D13/107-110, 118-119, 184; D14/251,
D14/253, 432, 434
CPC H01M 2200/00; H01M 2/1016; H01M
2/1022; H01M 2/1055; H01M 10/44;
H01M 10/46; H01M 10/425; Y02E
60/12; Y02T 90/14; Y02T 90/122; Y02T
90/128; Y02T 90/163; H02J 7/025; H02J
7/0042; H02J 7/0044; H02J 7/0045; H02J
7/0003; H01F 38/14; H01R 13/6675;
B60L 11/182

See application file for complete search history.

(56) **References Cited**

U.S. PATENT DOCUMENTS

D376,128 S * 12/1996 Flack D13/107
D426,518 S * 6/2000 Hatanaka D13/107

D641,318 S * 7/2011 Maeda D13/116
D651,562 S * 1/2012 Takeno D13/107
D668,608 S * 10/2012 Itoh D13/116
D686,157 S * 7/2013 Kawase D13/119
D695,680 S * 12/2013 Workman D13/103
8,646,150 B2 * 2/2014 Okabe B62B 5/067
16/110.1
D701,830 S * 4/2014 Edwards D13/107
D777,216 S * 1/2017 Allemeier D15/28
D806,029 S * 12/2017 Lin D13/112
D861,606 S * 10/2019 Yang D13/119
2013/0063073 A1 * 3/2013 Kawasaki H02J 7/0027
320/101

* cited by examiner

Primary Examiner — Nathaniel D. Buckner
(74) *Attorney, Agent, or Firm* — Westerman, Hattori,
Daniels & Adrian, LLP

(57) **CLAIM**

The ornamental design for a battery charger, as shown and described.

DESCRIPTION

FIG. 1 is a front view of a battery charger;
FIG. 2 is a rear view thereof;
FIG. 3 is a left side view thereof;
FIG. 4 is a right side view thereof
FIG. 5 is a top view thereof
FIG. 6 is a bottom view thereof
FIG. 7 is a front right perspective view thereof;
FIG. 8 is a front left perspective view thereof;
FIG. 9 is a rear right perspective view thereof; and,
FIG. 10 is a rear left perspective view thereof.
The broken lines shown in the drawings illustrate portions of the battery charger that form no part of the claimed design.

1 Claim, 10 Drawing Sheets

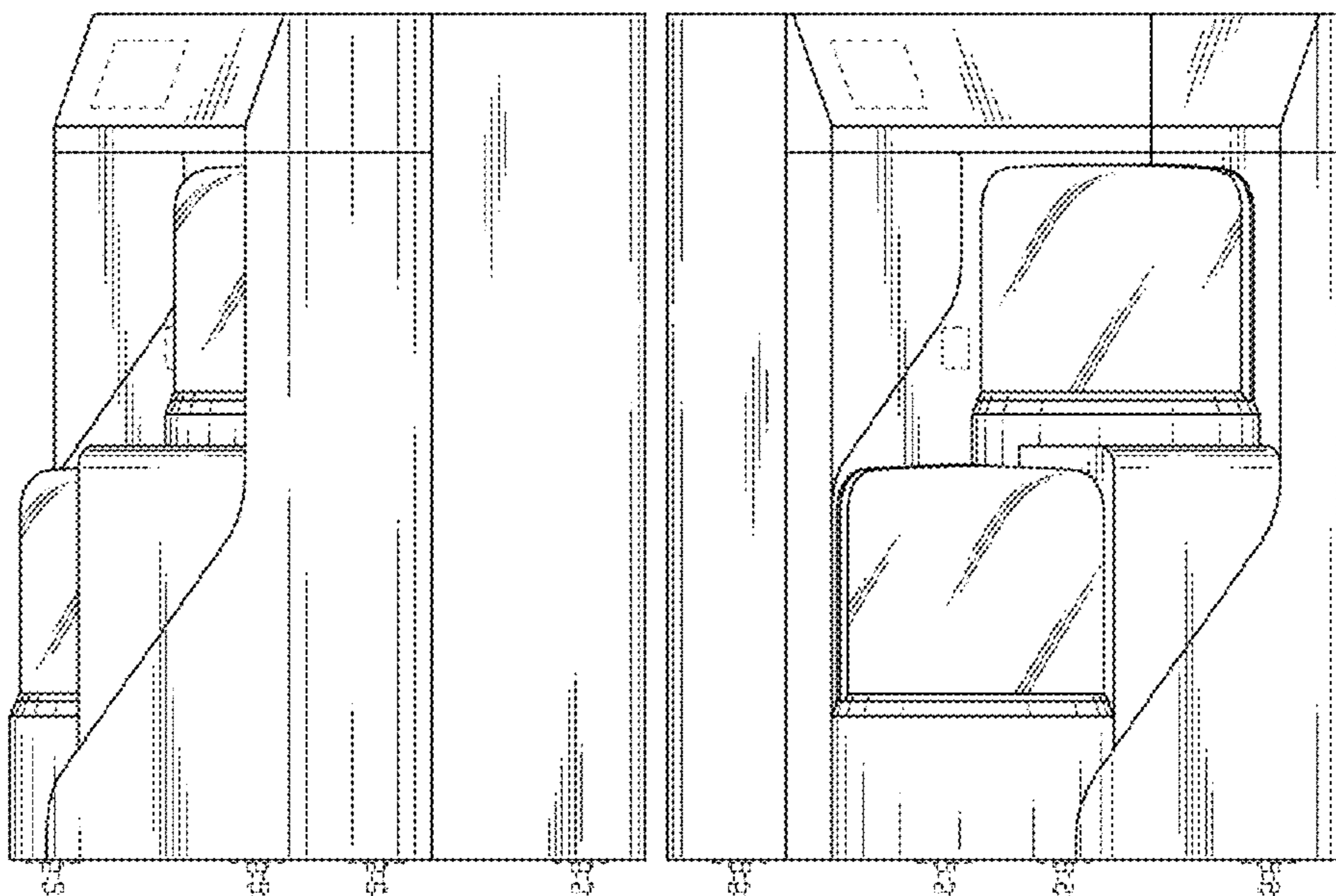


FIG. 1

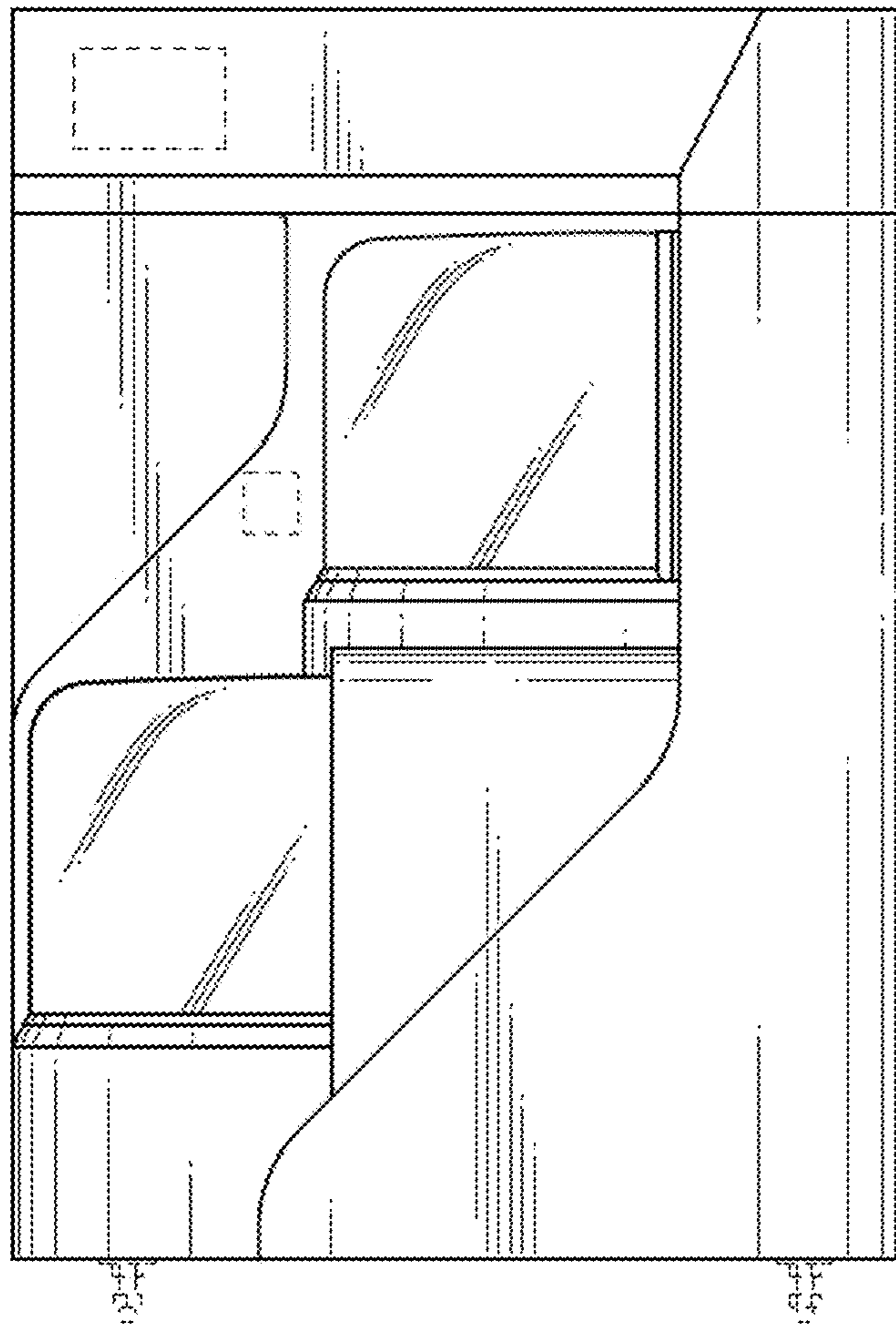


FIG. 2

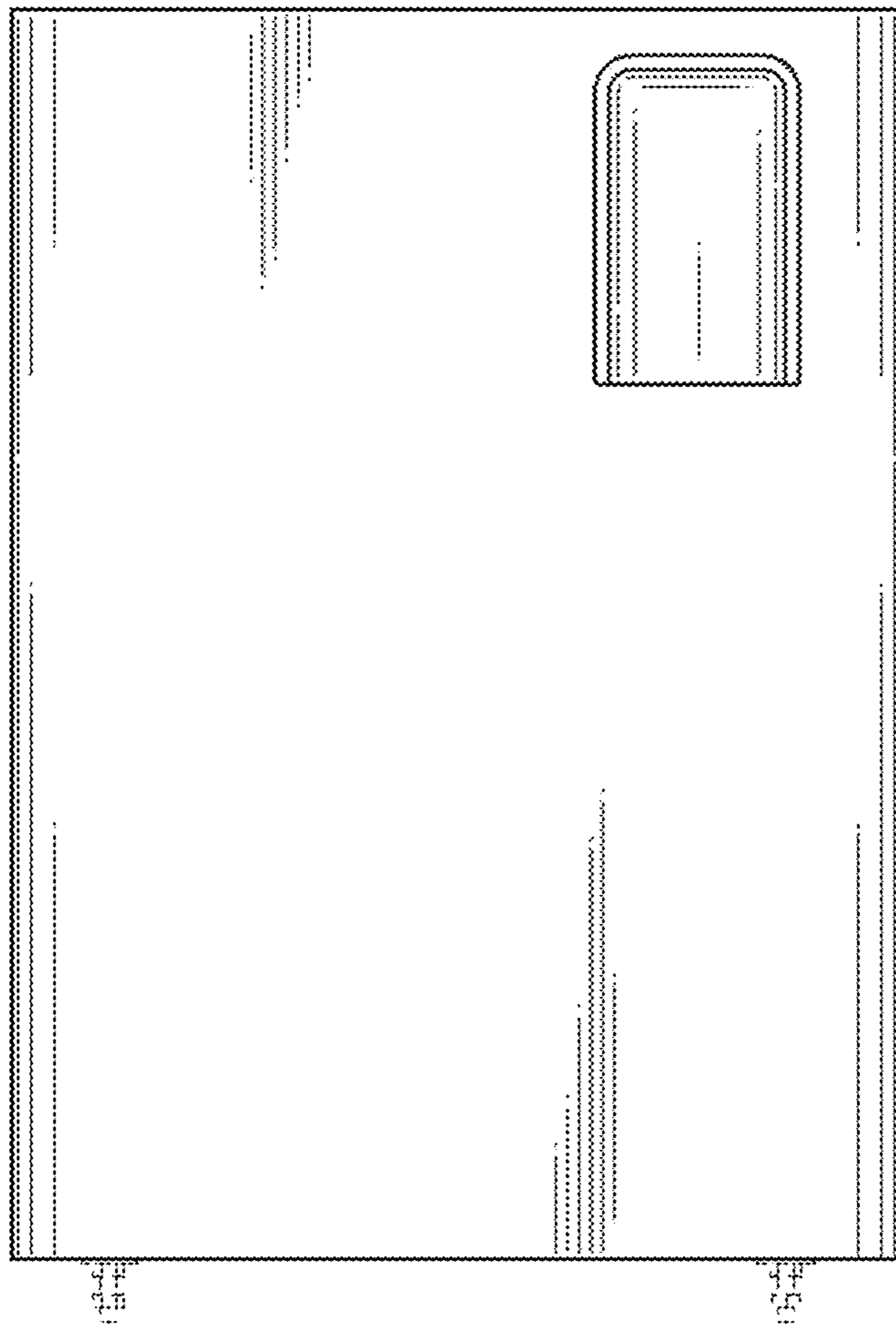


FIG. 3

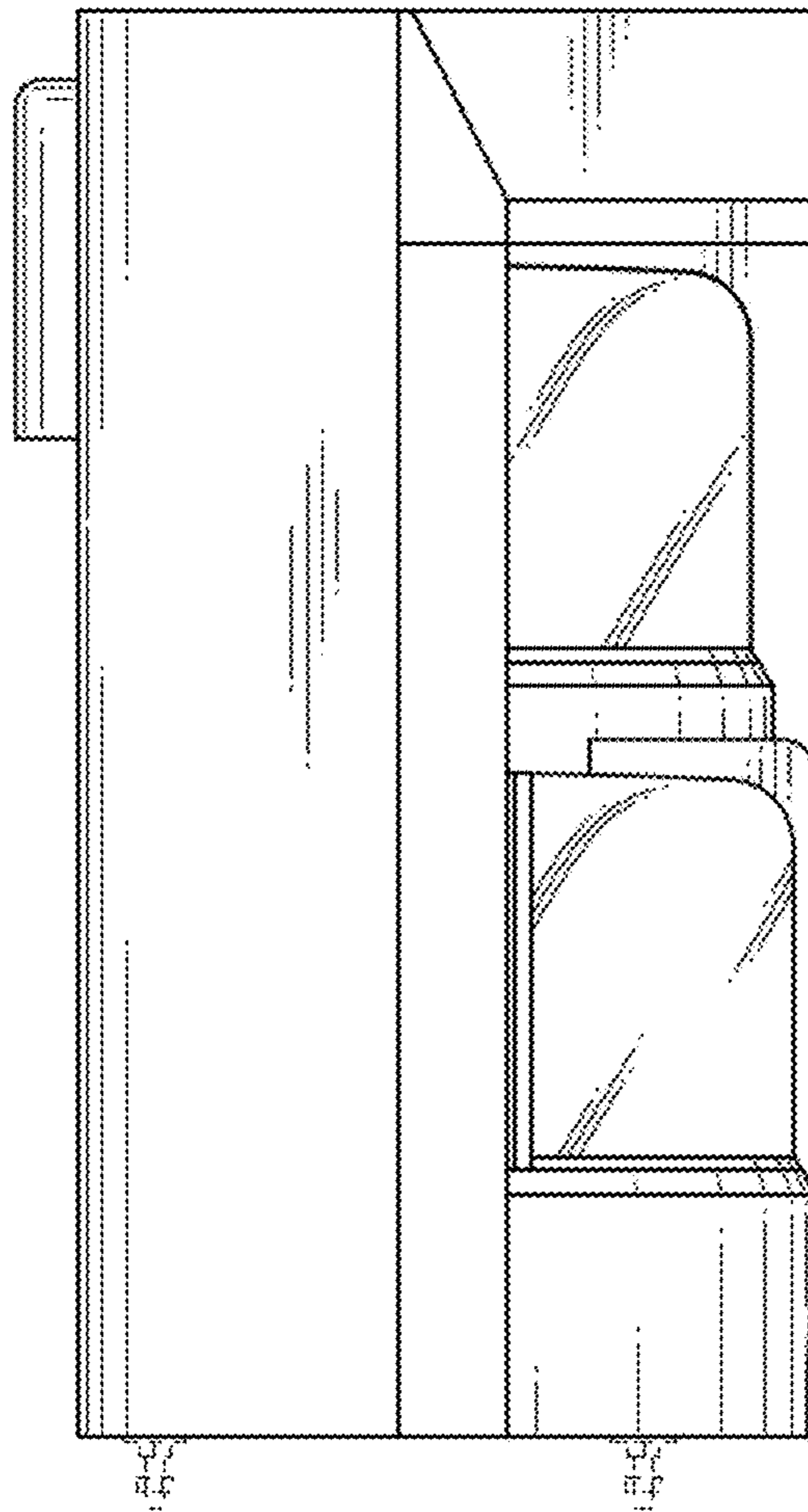


FIG. 4

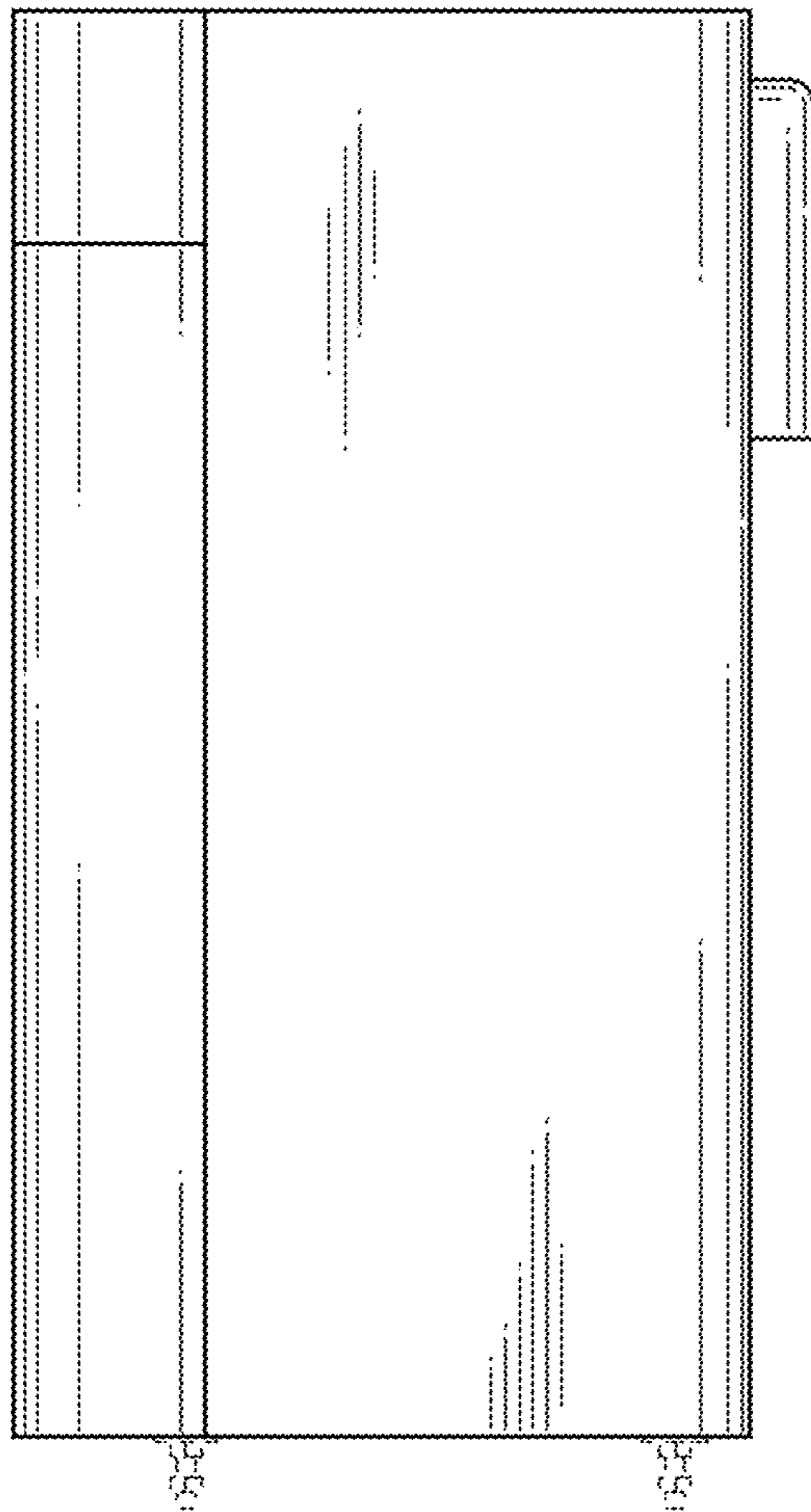


FIG. 5

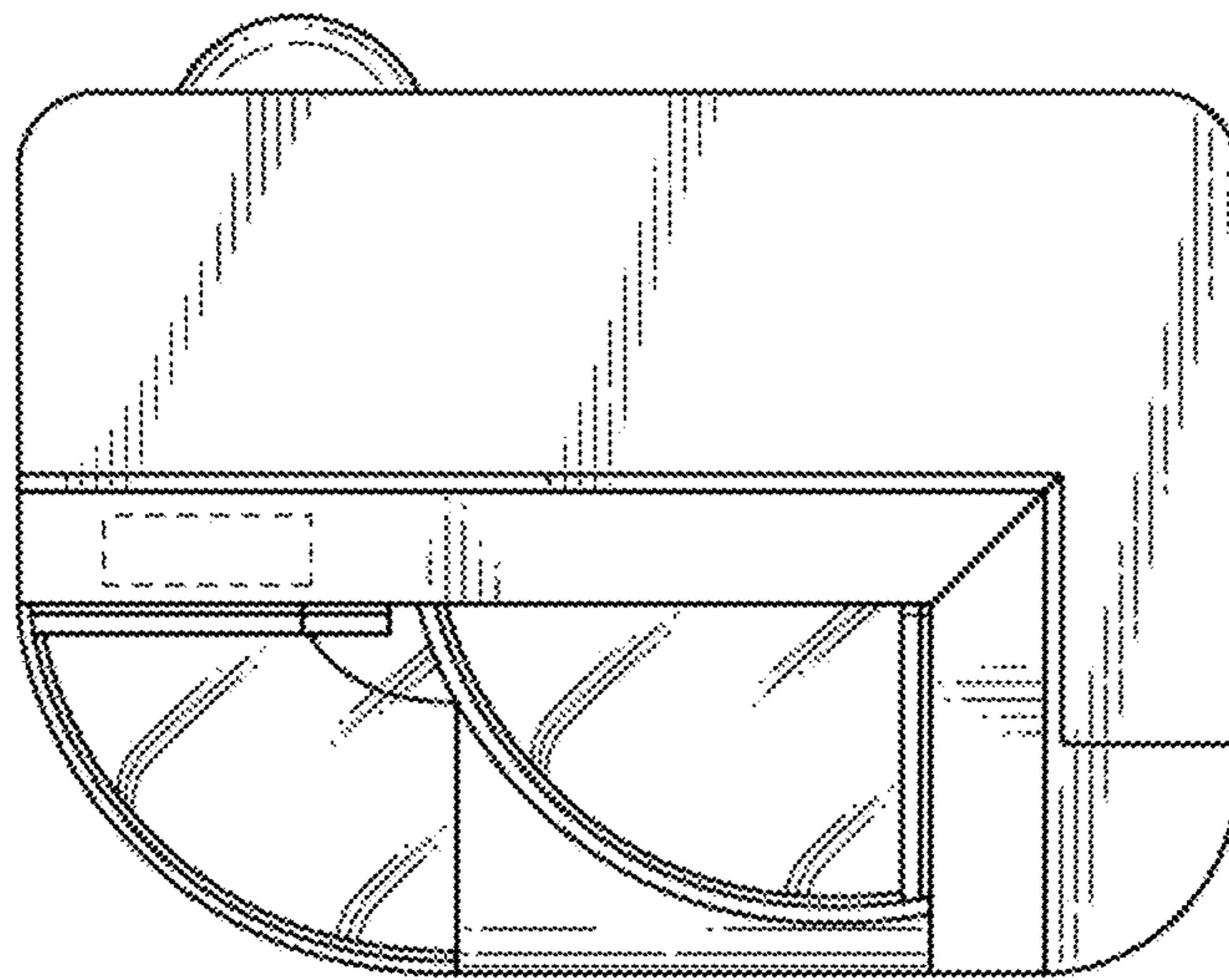


FIG. 6

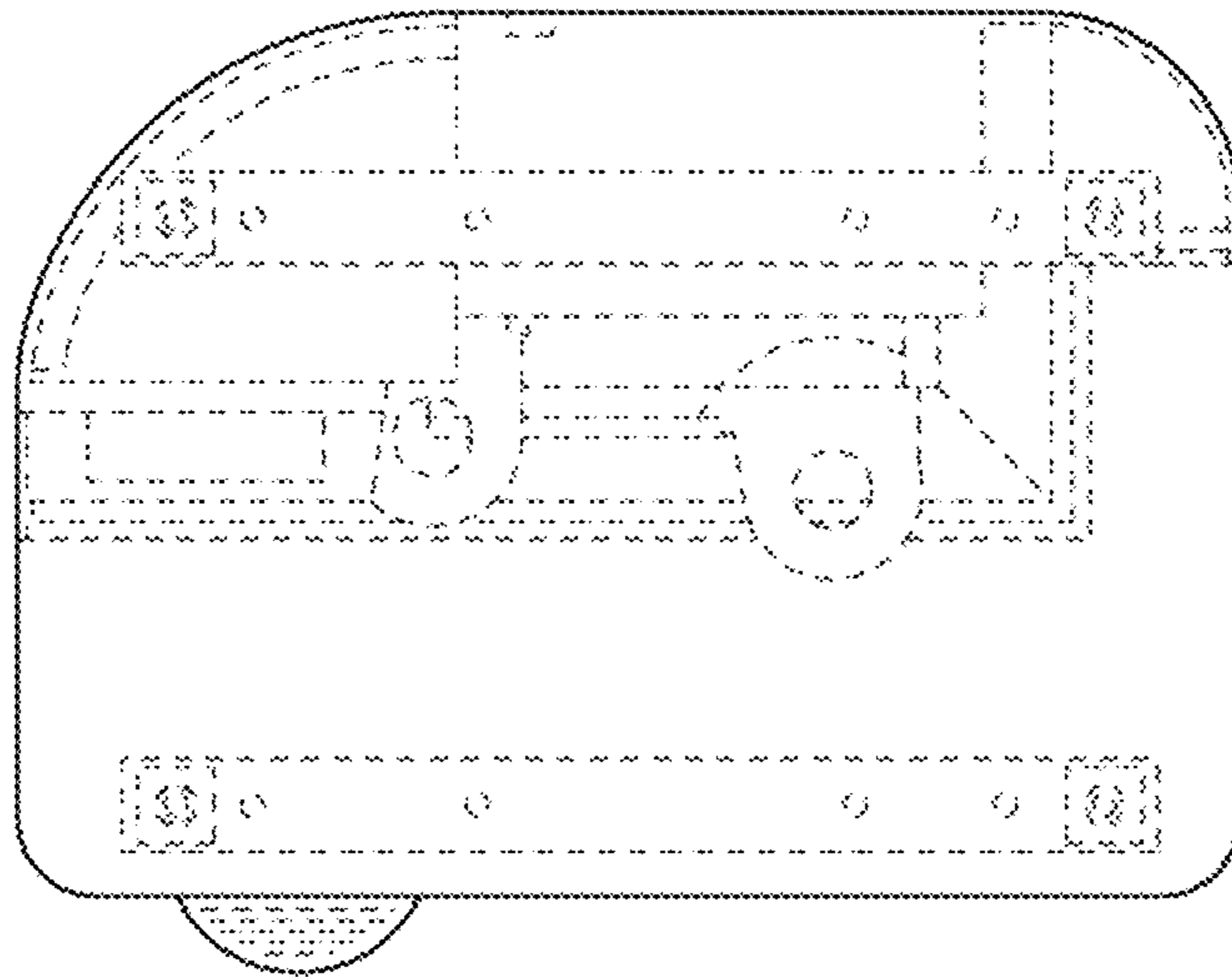


FIG. 7

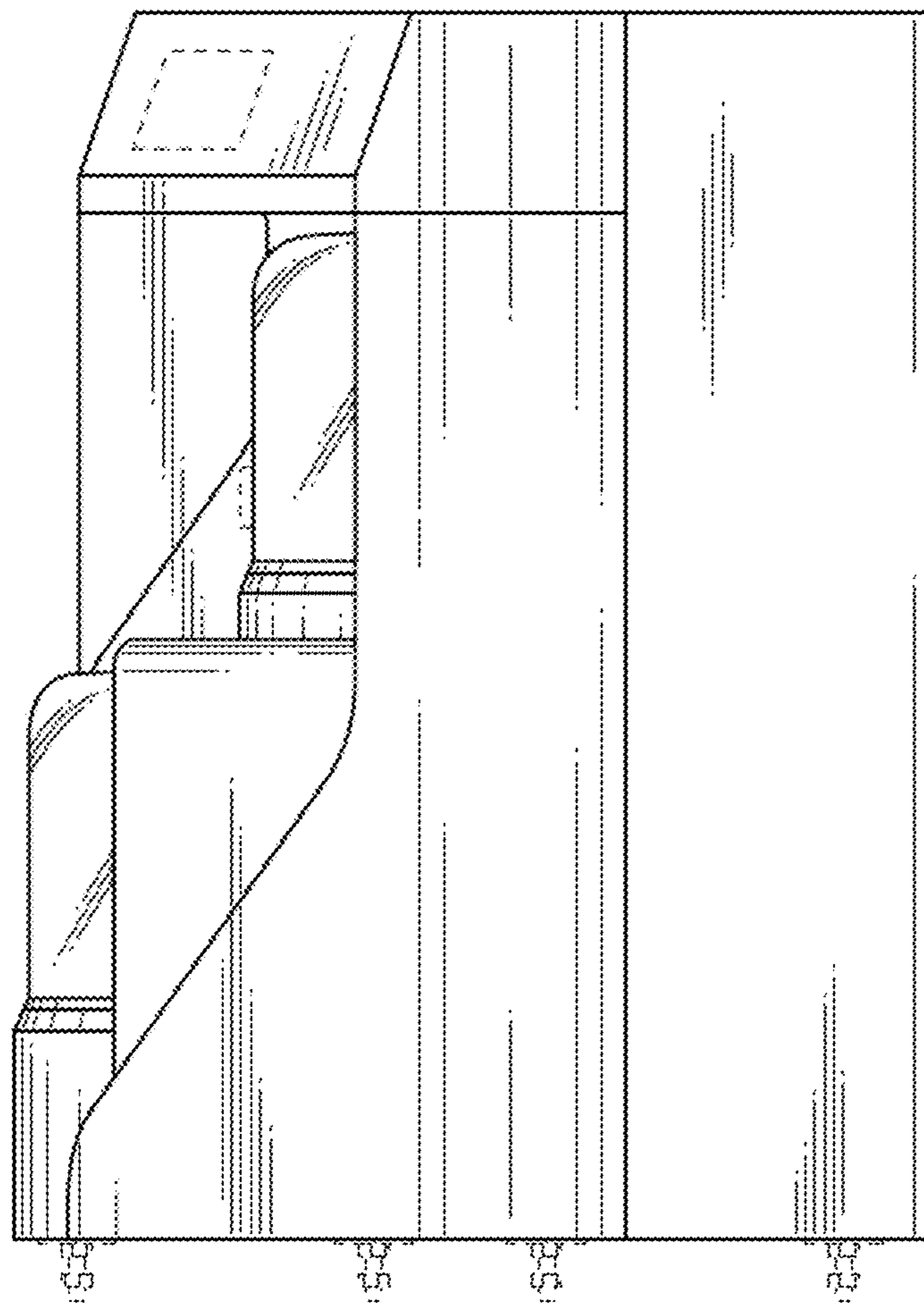


FIG. 8

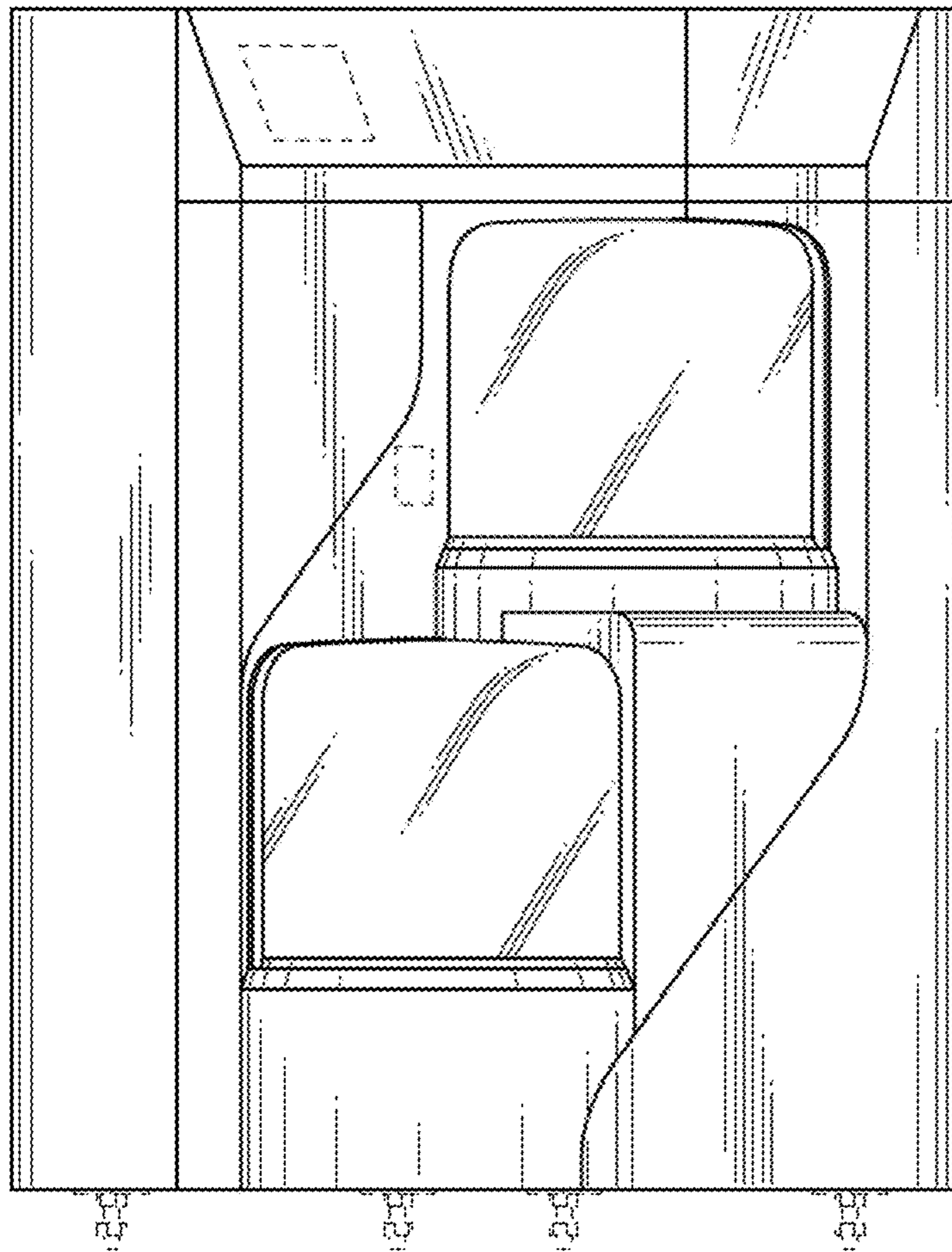


FIG. 9

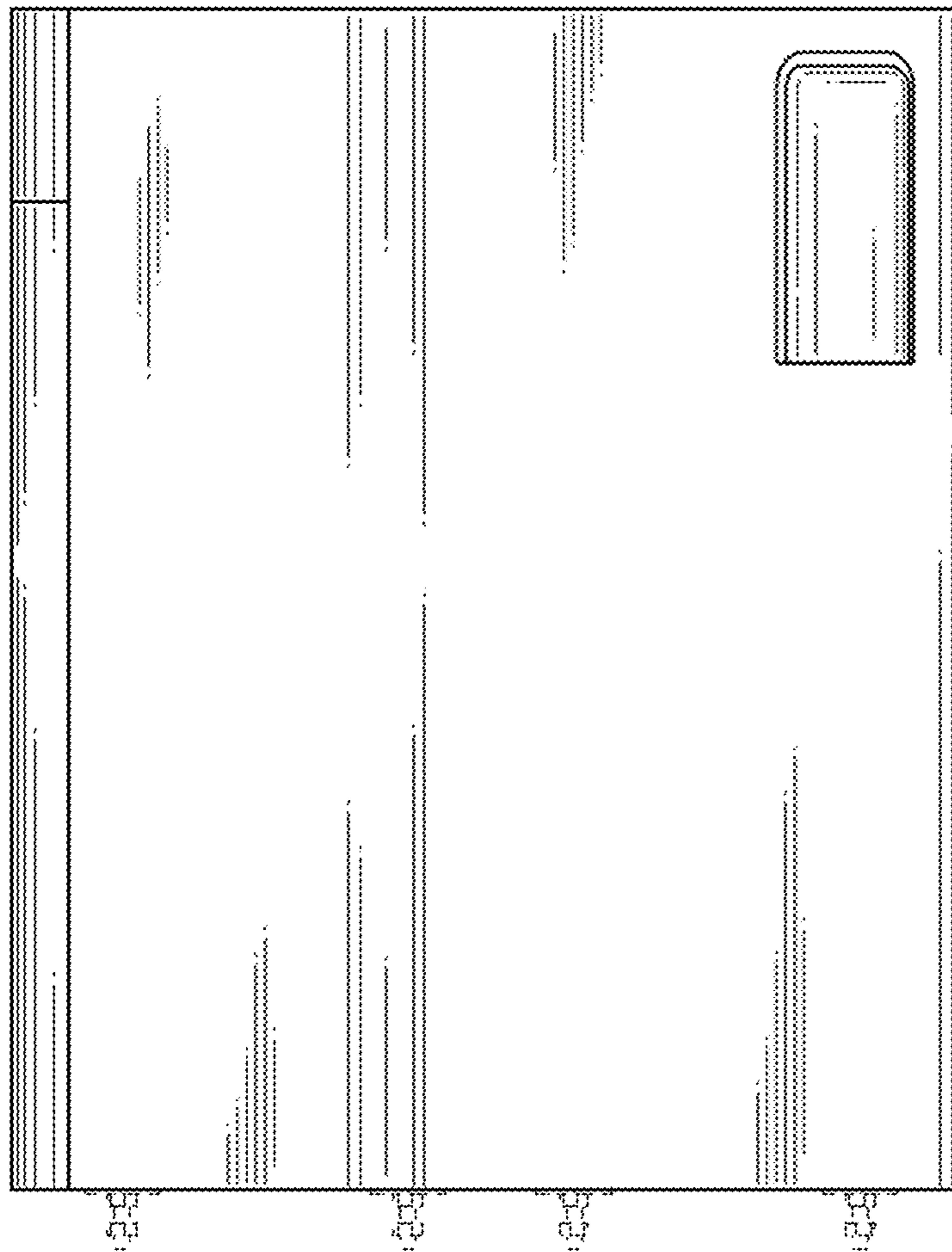


FIG. 10

